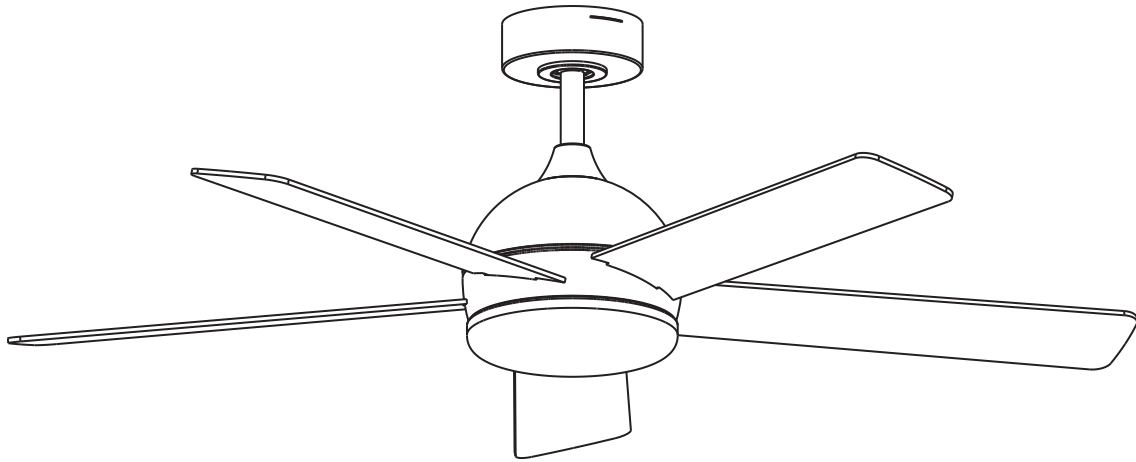


USE AND CARE GUIDE

CARLEY 52-INCH SMART CEILING FAN



Questions, problems, missing parts? Before returning to the store,
call Home Decorators Collection Customer Service
8 a.m. - 7 p.m., EST, Monday-Friday, 9 a.m. - 6 p.m., EST, Saturday.

1-800-986-3460

[HOMEDEPOT.COM/Hubspace](https://www.homedepot.com/Hubspace)



THANK YOU

We appreciate the trust and confidence you have placed in Home Decorators Collection through the purchase of this ceiling fan. We strive to continually create quality products designed to enhance your home. Visit us online to see our full line of products available for your home improvement needs. Thank you for choosing Home Decorators Collection!

Table of Contents

Table of Contents	2	Assembly	7
Safety Information	2	Operation	13
Warranty	3	Care and Cleaning	16
Pre-Installation	5	Troubleshooting	17
Installation.....	6		

Safety Information

READ AND SAVE THESE INSTRUCTIONS.

1. To reduce the risk of electric shock, ensure the electricity has been turned off at the circuit breaker or fuse box before you begin.
2. All wiring must be in accordance with the National Electrical Code ANSI/NFPA 70-1999 and local electrical codes. Electrical installation should be performed by a qualified licensed electrician.
3. To reduce the risk of fire, electric shock, or personal injury, mount to outlet box marked acceptable for fan support of 35 lbs (15,87 kg) on less and use mounting screws provided with the outlet box. Most outlet boxes commonly used for the support of lighting fixtures are not acceptable for fan support and may need to be replaced. Consult a qualified electrician if in doubt. The fixing means for attachment to the ceiling such as hooks or other devices shall be fixed with a sufficient strength to withstand 4 times the weight of the ceiling fan.
4. To reduce the risk of injury to persons, install fan so that the blade is at least 7 ft (2.1m) above the floor.
5. Do not operate the reversing switch while the fan blades are in motion. You must turn the fan off and stop the blades before you reverse the blade direction.
6. Do not place objects in the path of the blades.
7. To avoid personal injury or damage to the fan and other items, use caution when working around or cleaning the fan.
8. After making electrical connections, spliced conductors should be turned upward and pushed carefully up into the outlet box. The wires should be spread apart with the grounded conductor and the equipment-grounding conductor on one side of the outlet box. The ungrounded conductor on the other side of the outlet box.
9. All setscrews must be checked and retightened where necessary before installation.

To reduce the risk of injury to persons, not intended for use by persons (including children) with reduced physical, sensory or mental capabilities, or lack of experience and knowledge, unless they have been given supervision or instruction concerning use of the fan by a person responsible for their safety. Children should be supervised to ensure that they do not play with the fan.



WARNING: To reduce the risk of personal injury, do not bend the blade brackets (also referred to as flanges) during assembly or after installation. Do not insert objects in the path of the blades.



WARNING: To avoid possible electrical shock, turn the electricity off at the main fuse box before wiring. If you feel you do not have enough electrical wiring knowledge or experience, contact a licensed electrician.



WARNING: To reduce the risk of fire or electric shock, do not use this fan with any solid state speed control device.



WARNING: To reduce the risk of fire or electric shock, this fan should only be used with fan speed control part no. D-SLF-A19-01-A, manufactured by LEEDARSON LIGHTING CO., LTD.



CAUTION: To reduce the risk of personal injury, use only the screws provided with the outlet box.



WARNING: To reduce the risk of fire or electric shock, this fan must be installed with an isolating wall switch.



WARNING: To reduce the risk of personal injury, if unusual oscillating movement is observed, immediately stop using the ceiling fan and contact with a qualified licensed electrician.



WARNING: All replacement of parts and the mounting of the safety suspension system device shall be performed by qualified licensed electricians.

Safety Information

FCC Warning

Changes or modifications to this unit not expressly approved by the party responsible for compliance could void the user's authority to operate the equipment.

NOTE: This equipment has been tested and found to comply with the limits for a Class B digital device, pursuant to Part 15 of the FCC Rules. These limits are designed to provide reasonable protection against harmful interference in a residential installation. This equipment generates uses and can radiate radio frequency energy and, if not installed and used in accordance with the instructions, may cause harmful interference to radio communications.

However, there is no guarantee that interference will not occur in a particular installation. If this equipment does cause harmful interference to radio or television reception, which can be determined by turning the equipment off and on, the user is encouraged to try to correct the interference by one or more of the following measures:

Reorient or relocate the receiving antenna.

Increase the separation between the equipment and receiver.

Connect the equipment into an outlet on a circuit different from that to which the receiver is connected.

Consult the dealer or an experienced radio/TV technician for help.

This equipment complies with FCC radiation exposure limits set forth for an uncontrolled environment. This equipment should be installed and operated with a minimum distance of 20cm between the radiator & your body. This transmitter must not be co-located or operating in conjunction with any other antenna or transmitter.

FCC compliance information is listed as below:

Responsible party: Leedarson America, Inc.

Responsible party address: 300 Technology Court SE Suite 100, Smyrna, GA 30082

Telephone number: (678) 293-8382

Wireless Protocol

The Wi-Fi CERTIFIED™ Logo is a certification mark of Wi-Fi Alliance®. Apple and the Apple logos are trademarks of Apple, Inc., registered in the U.S., and other countries. App Store is a service mark of Apple Inc. Google and Google Play are trademarks of Google LLC.



Warranty

The supplier warrants the fan motor to be free from defects in workmanship and material present at time of shipment from the factory for a lifetime after the date of purchase by the original purchaser. The supplier also warrants that all other fan parts, excluding any glass or acrylic blades, to be free from defects in workmanship and material at the time of shipment from the factory for a period of two years after the date of purchase by the original purchaser. We agree to correct such defects without charge or at our option replace with a comparable or superior model if the product is returned. To obtain warranty service, you must present a copy of the receipt as proof of purchase. All costs of removing and reinstalling the product are your responsibility. Damage to any part, such as by accident, misuse, improper installation, or by affixing any accessories, is not covered by this warranty. Because of varying climatic conditions this warranty does not cover any changes in brass finish, including rusting, pitting, corroding, tarnishing, or peeling. Brass finishes of this type give their longest useful life when protected from varying weather conditions. A certain amount of "wobble" is normal and should not be considered a defect. Servicing performed by unauthorized persons shall render the warranty invalid. There is no other express warranty. Home Decorators Collection hereby disclaims any and all warranties, including but not limited to those of merchantability and fitness for a particular purpose to the extent permitted by law. The duration of any implied warranty, which cannot be disclaimed, is limited to the time period as specified in the express warranty. Some states do not allow a limitation on how long an implied warranty lasts, so the above limitation may not apply to you. The retailer shall not be liable for incidental, consequential, or special damages arising out of or in connection with product use or performance except as may otherwise be accorded by law. Some states do not allow the exclusion of incidental or consequential damages, so the above exclusion or limitation may not apply to you. This warranty gives specific legal rights, and you may also have other rights that vary from state to state. This warranty supersedes all prior warranties. Shipping costs for any return of product as part of a claim on the warranty must be paid by the customer.

Contact the Customer Service Team at 1-800-986-3460 or visit [HOMEDEPOT.COM/Hubspace](https://www.homedepot.com/Hubspace).

Pre-Installation

SPECIFICATIONS

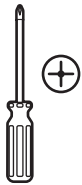
Size	Speed	Volts	Amps	Watts	RPM	CFM	Net Weight	Gross Weight	Cu. Ft.
52 in.	1	120	0.06	2.6	65	1700	14.77bs (6.7kg)	20.06lbs (9.1 kg)	1.993
	2		0.08	3.6	80	2300			
	3		0.12	6.5	105	3100			
	4		0.17	10	125	3700			
	5		0.27	18	155	4600			
	6		0.4	28	177	5500			



NOTE These are approximate measures. They do not include the amps and wattage used by the light kit.



TOOLS REQUIRED



Phillips screwdriver



Flat blade screwdriver



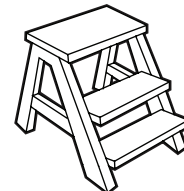
Adjustable wrench



Electrical tape



Wire cutter



Step ladder

Pre-Installation (continued)

HARDWARE INCLUDED



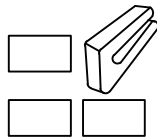
NOTE Hardware not shown to actual size.



AA



GG



HH



II



JJ



KK



LL

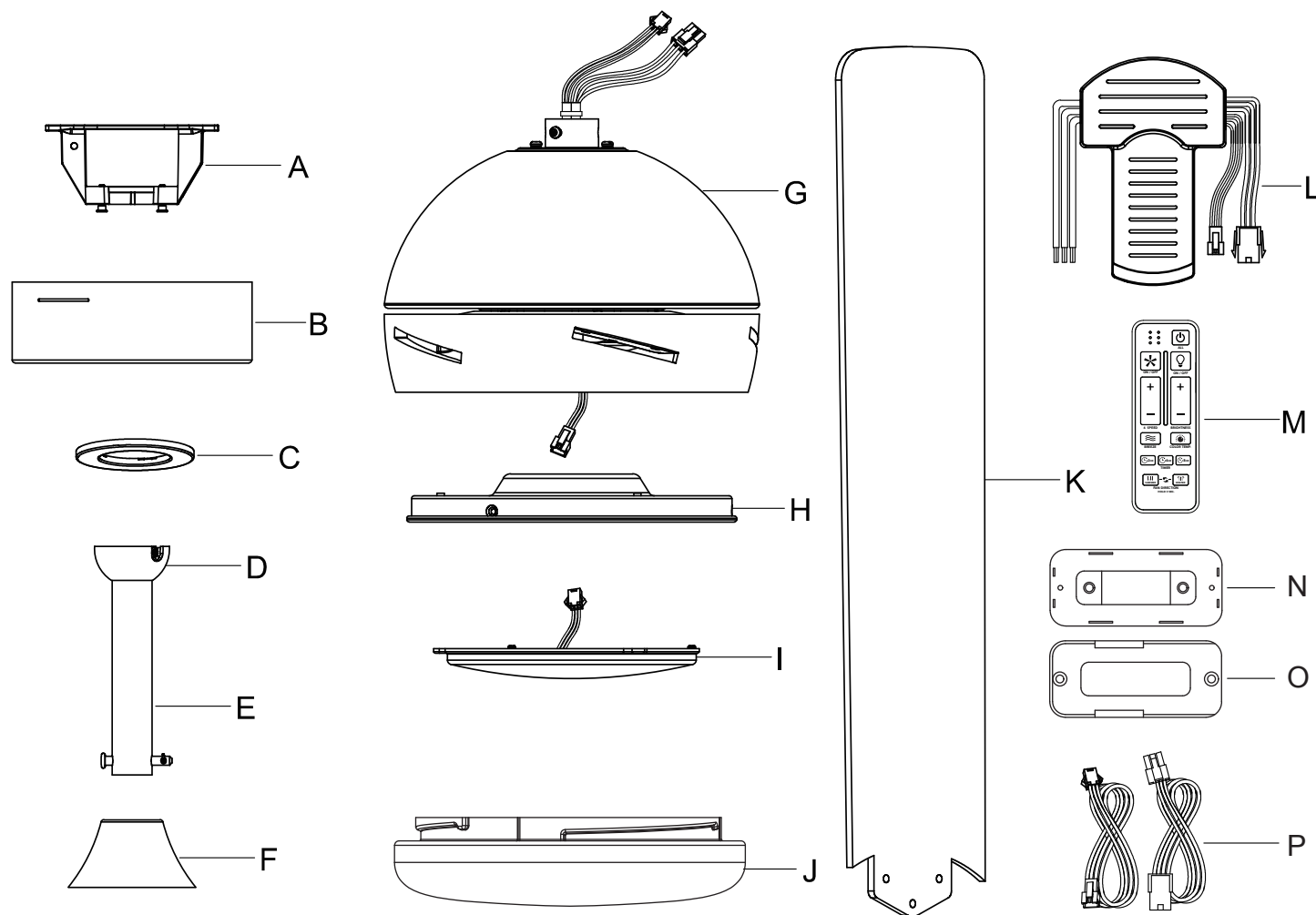


MM

Part	Description	Quantity
AA	Wire nut (P4)	3
GG	Extra blades attachment screws (3/16-24*12mm) Extra blades attachment washer	1
HH	Balancing	1
II	Dry wall anchor	2
JJ	Screw - 4 (#6-32)	2
KK	Screw - 5 (ST3.5*13)	2
LL	Screw - 6 (ST3*18)	2
MM	AAA battery	2

Pre-Installation (continued)

PACKAGE CONTENTS



Part	Description	Quantity
A	Mounting bracket	1
B	Canopy	1
C	Canopy cover	1
D	Hanger ball (preassembled)	1
E	Downrod (preassembled)	1
F	Coupling cover	1
G	Fan-motor assembly	1
H	light housing	1

Part	Description	Quantity
I	LED module	1
J	Plastic shade	1
K	Blade	5
L	Remote control receiver	1
M	Remote control	1
N	Remote holder plate	1
O	Remote cradle	1
P	Extension wire	1

Installation

MOUNTING OPTIONS

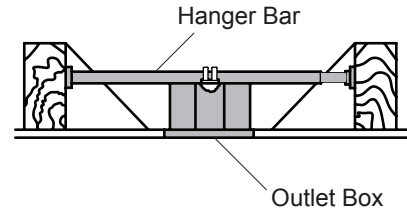
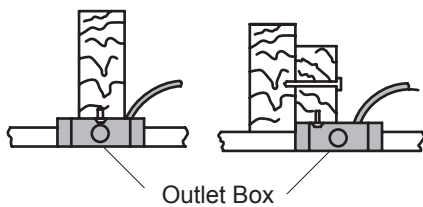
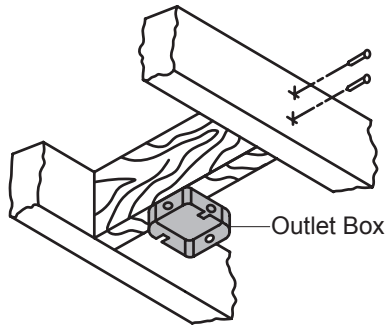


WARNING: To reduce the risk of fire, electric shock or personal injury, mount to outlet box marked "Acceptable for fan support of 35 lbs. (15.9 kg) or less", and use screws provided with the outlet box. An outlet box commonly used for the support of lighting fixtures may not be acceptable for fan support and may need to be replaced. If in doubt, consult a qualified electrician.

If your ceiling fan does not have an existing UL-listed outlet box, then install one using the following instructions:

- Disconnect the power by removing the fuses or turning off the circuit breakers.
- Secure the outlet box directly to the building structure. Use the appropriate fasteners and materials. The outlet box and support structure must be securely mounted and capable of reliably supporting 35 lbs. (15.9 kg). Use only UL Listed outlet boxes marked "Acceptable for Fan Support of 35 lbs. (15.9 kg) or less." Do not use a plastic outlet box.

The illustrations below show two different ways to mount the outlet box.



To hang your fan where there is an existing fixture but no ceiling joist, you may need an installation hanger bar as shown above (available at any Home Depot store).

Assembly - Hanging the Fan

1 Install the mounting bracket to the outlet box



WARNING: To reduce the risk of fire, electric shock, or other personal injury, mount the fan only to an outlet box or supporting system marked acceptable for fan support and use the mounting screws provided with the outlet box.

- Align 2 pcs screws (BB/CC, not included) through washers (EE/FF, not included) and then install screws (BB/CC, not included) through mounting bracket (A) onto the outlet box.
- If outlet box has thread holes, please use the screws - M4x25 (BB, not included), washer - D4(FF, not included) and washer - D15(DD, not included).
If outlet box doesn't have thread holes, please use the screws -ST4.8x77 (CC, not included), washer - D5(EE, not included) and washer - D15(DD, not included).

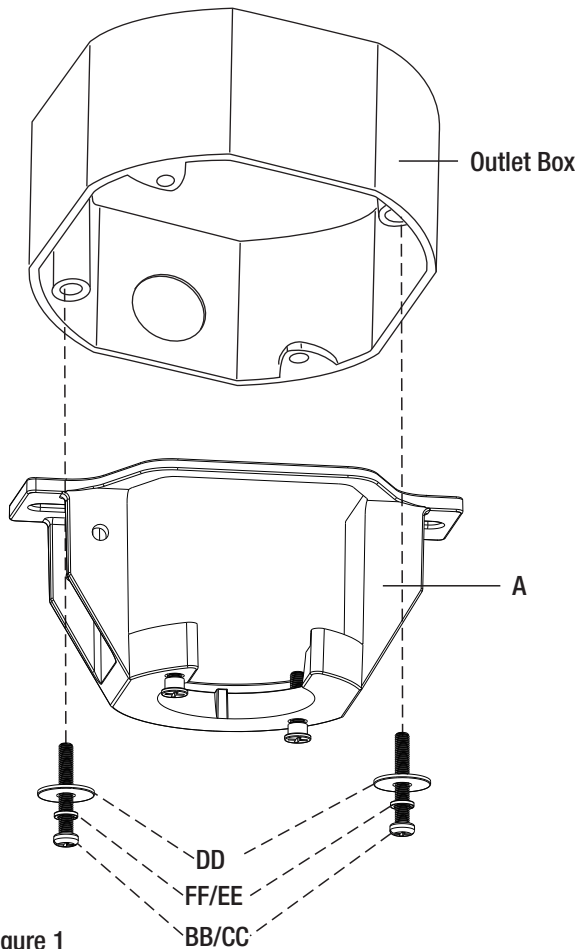


Figure 1

2 Attaching the downrod to the fan motor assembly

- Loosen the two fan motor assembly coupling set screws (QQ) from the fan motor assembly (G) coupling.
- Remove the hitch pin (PP) and lock pin (OO) from the downrod (E). Remove the hanger ball (D) from the downrod (E) by loosening the hanger ball set screw (NN), and removing the cross pin (MM), then sliding the hanger ball (D) off of the downrod (E).
- Carefully feed the fan wires from the fan motor assembly (G) up through the downrod(E). Thread the downrod (E) into the fan motor assembly (G) coupling. Align the holes and reattach the lock pin (OO) and the hitch pin (PP). Tighten the set screws (QQ).

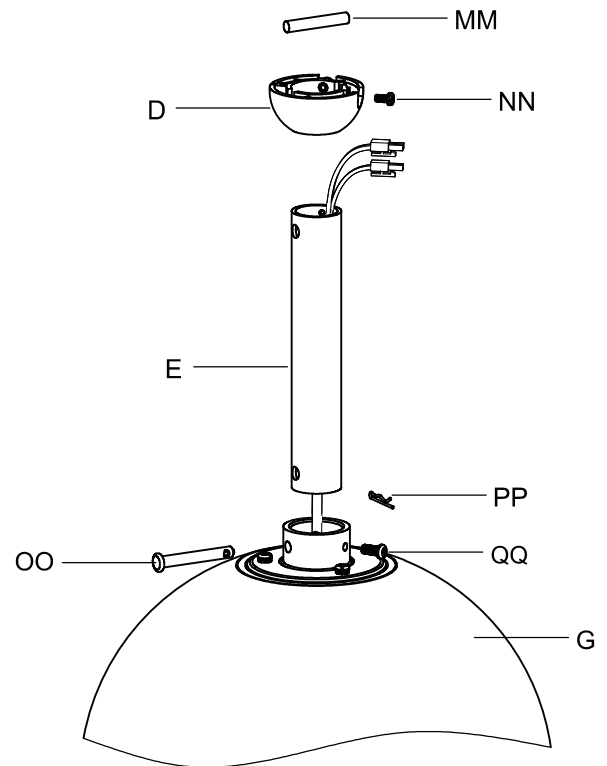


Figure 2

Assembly - Hanging the Fan (continued)

3 Attaching the coupling cover, and canopy to the downrod

- Slip the coupling cover (F), canopy cover (C) and canopy (B) onto the downrod (E).
- Carefully reinstall the hanger ball (D) onto the downrod (E), and ensure that the cross pin (MM) is in the correct position, the hanger ball set screws (NN) are tight, and the wires are not twisted.

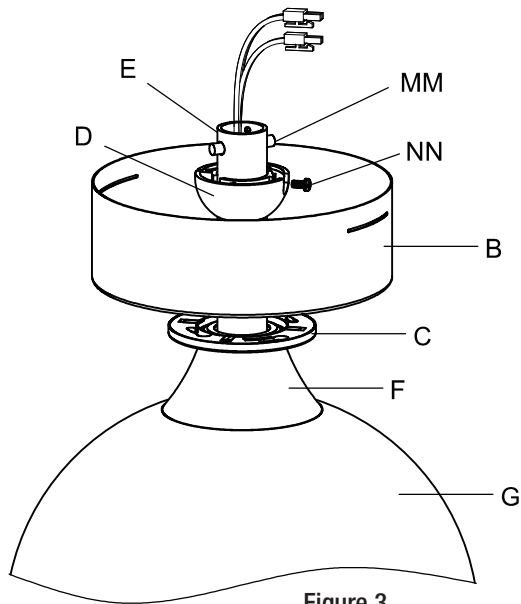


Figure 3

4 Hanging the fan motor assembly to the mounting bracket

- Lift the fan motor assembly (G) into position, and place the hanger ball (D) into the mounting bracket (A). Rotate the fan motor assembly (G) until the groove of the hanger ball (D) drops into the registration slot and seats firmly. The downrod (E) should not be able to rotate if this is done correctly.

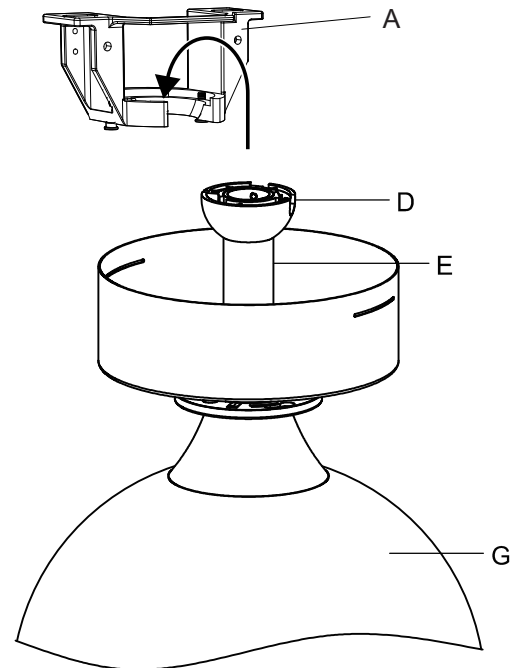


Figure 4

Assembly - Hanging the Fan (continued)

5 Making the electrical connections



WARNING: To avoid possible electrical shock, ensure the electricity is turned off at the circuit breaker or main fuse box before wiring.



WARNING: Check to see that all connections are tight, including the ground, and that no bare wire is visible at the wire nuts, except for the ground wire.

- Insert the receiver (L) into the mounting bracket (A) with the flat side of the receiver (L) facing the ceiling.

Follow the steps below to connect the fan to your house supply wires. Secure the wire nuts (AA) supplied with the electrical hardware by wrapping the connections with electrical tape.

- Plug one lead wire of light (with 3P small male connector) and one lead wire of fan (with 3P big male connector) to the corresponding female connector on the receiver (L).
- Connect the black (120V line voltage) wire from the outlet box to the black wire from the receiver (L).
- Connect the white (120V neutral voltage) wire from the outlet box to the white wire from the receiver (L).
- Connect the green (120V ground) wire from the outlet box to the green wires from the hanger ball (D), mounting bracket (A) and receiver (L).
- Secure the wire connection with the wire nut (AA) provided with the electrical hardware.
- After connecting the wires, spread them apart so that the green and white wires are on one side of the outlet box.

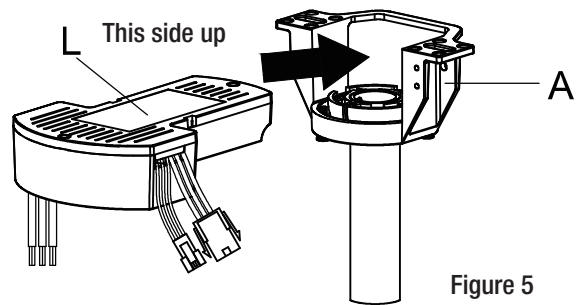


Figure 5

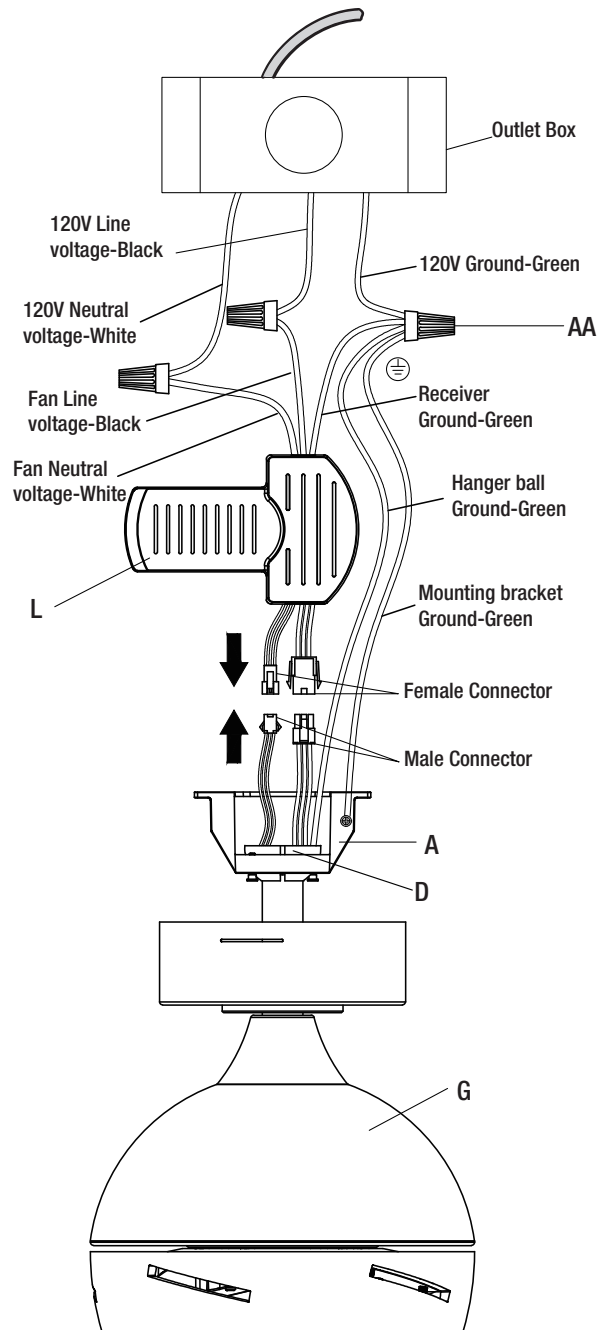


Figure 6

Assembly - Hanging the Fan (continued)

6 Securing the canopy to the mounting bracket

- Loosen two mounting bracket screws (RR) away from the mounting bracket (A) leaving about 3/4in. spacing.
- Attach the canopy (B) key shape hole to the mounting bracket screws (RR) previously unscrewed and clockwise rotate the canopy (B) clockwise.
- Tighten the mounting bracket screws (RR).
- Align the key holes on the inside of the canopy cover (C) with the screws (RR). Push up the canopy cover (C) until the screw (RR) heads engage to the key holes on the canopy cover (C), and rotate the canopy cover (C) counterclockwise until it is attached to the bottom of the canopy (B) tightly.

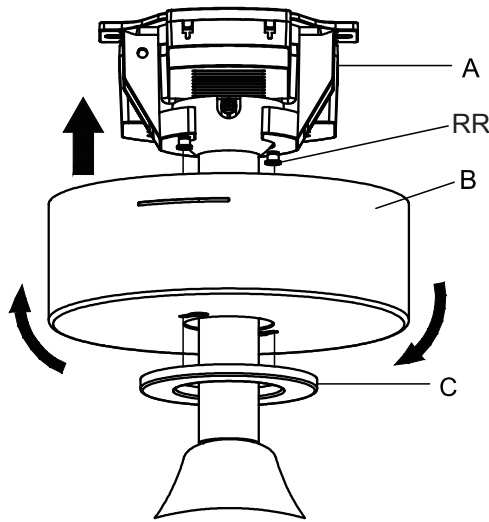


Figure 7

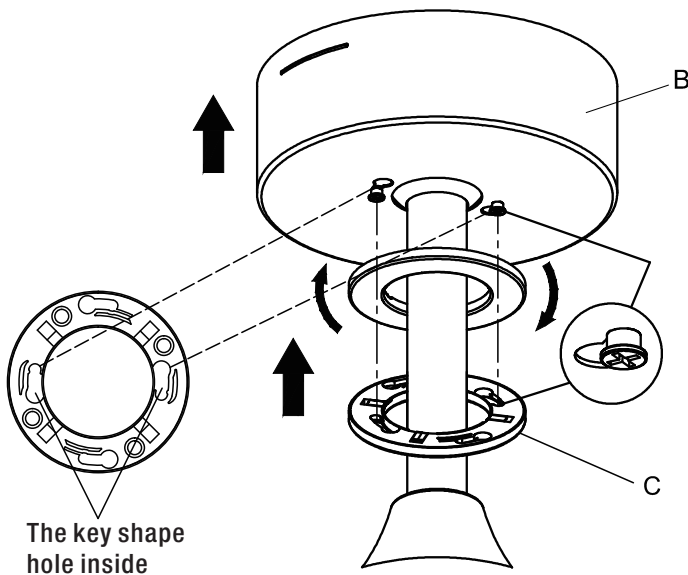


Figure 8

7 Install the blades

- Remove all blade screws (GG) from the rotary plate (SS) of fan-motor assembly (G).
- Insert the blades (K) into holes of the rotary plate (SS) in place.
- Reattach all blade screws through the blade washers and tighten all screws to make sure the blades (K) are secure.



NOTE: The blade with "this side up" label must face upwards, otherwise it cannot be installed correctly.

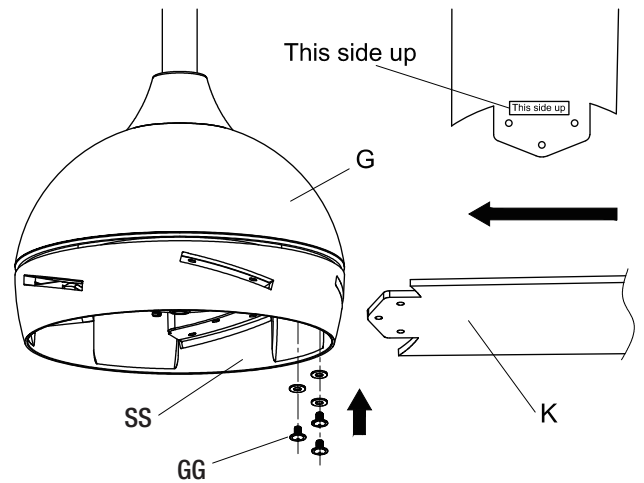


Figure 9

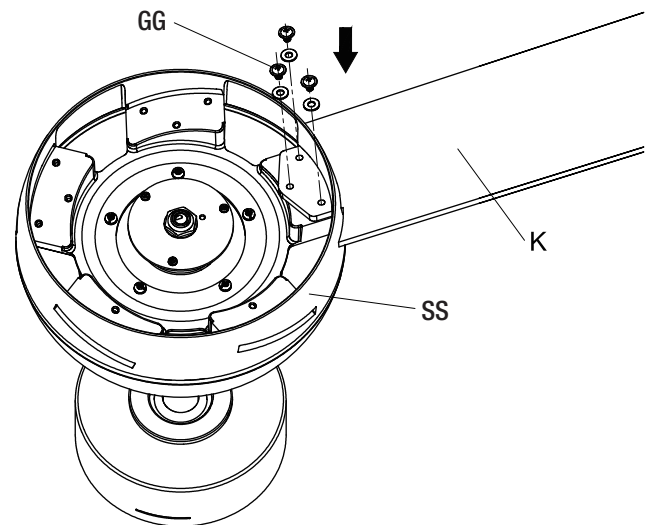


Figure 10

Assembly - Hanging the Fan (continued)

8 Install the light housing

- Remove one screw from the connecting plate (P) of fan-motor assembly (G). And loosen the remaining 2 screws, leaving about 3/4in. space.
- Locate the key holes of light housing(H).
- Place two key holes of light housing (H) to the mounting screw that was loosened on the connect plate (P).
- Reattach 1pc screw through light housing (H) in place to the connecting plate (P).
- Tighten 3pcs screws until light housing (H) is secure.

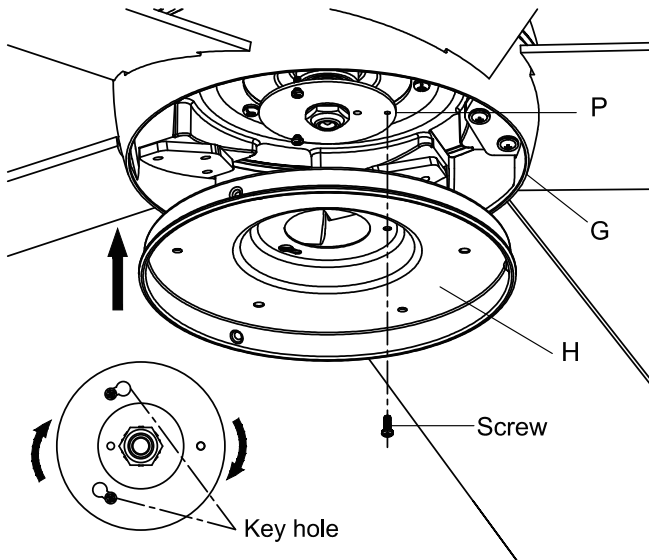


Figure 11



CAUTION: To reduce the risk of electric shock, disconnect the electrical circuit to the fan before installing light kit.

9 Install the LED module

- Remove 3pcs pre-installed screws from the inside of the light housing pan (H). Figure 12.
- Connect the male connector from the LED module (I) to the female connector from the fan-motor assembly (G). Figure 13.
- Locate 3pcs screw holes of LED module (I) in line with the screw holes of light housing (H).
- Reattach 3pcs screws through the screw holes of LED module (I). Figure 14.
- Tighten the screws until LED module (I) is secure.

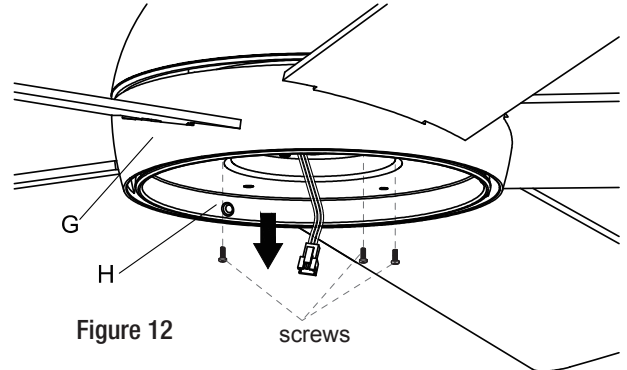


Figure 12

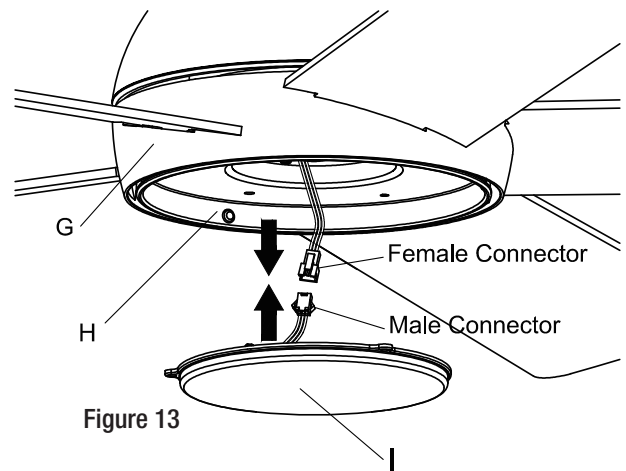


Figure 13

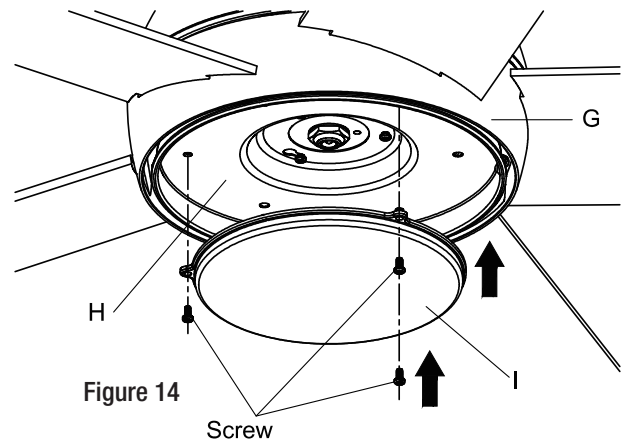


Figure 14

Assembly - Hanging the Fan (continued)

10 Install the Plastic shade

- Rotate the Plastic shade (J) clockwise until it is secure. Figure 15.

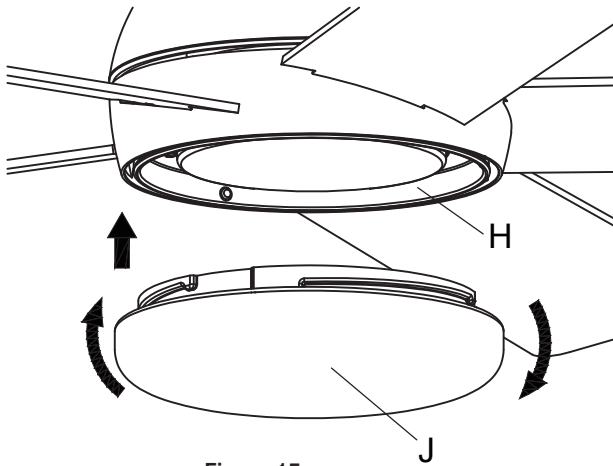


Figure 15

11 Mount the remote control cradle

Install scenarios 1: Over Toggle Switch via screws Figure 16.

- Insert screws (JJ) through the remote cradle (O) into the Toggle Switch screw holes and tighten each screw.
- Insert screws (KK) through the remote holder plate (N) into the remote cradle (O) and tighten each screw.

Install scenarios 2 : Over Paddle Switch via screws Figure 17.

- Insert screws (JJ) through the remote holder plate (N) into the Paddle Switch screw holes and tighten each screw.

Install scenarios 3 : Direct to Wall via screws and dry wall anchors Figure 18.

- Using the remote cradle (O) as a guide, mark the two holes locations.
 - Drill two holes at the marked locations and install two dry wall anchors (II) in each of the marked locations.
- Insert screws (LL) through the remote holder plate (N) into the dry wall anchors (II) and tighten each screw.

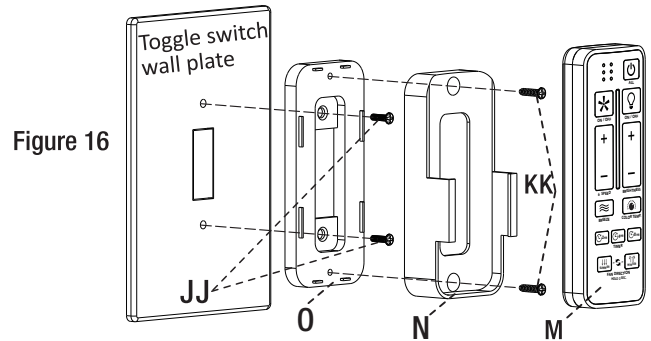


Figure 16

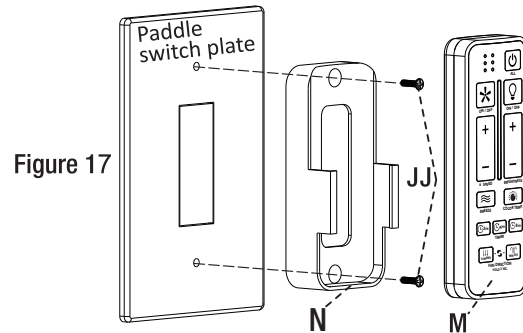


Figure 17

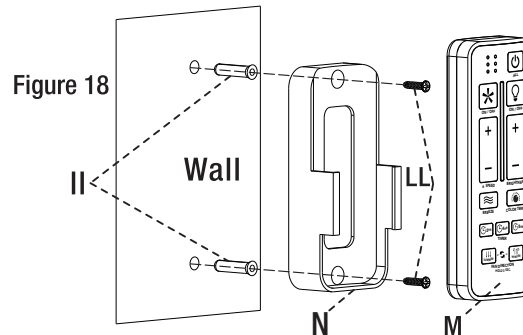


Figure 18

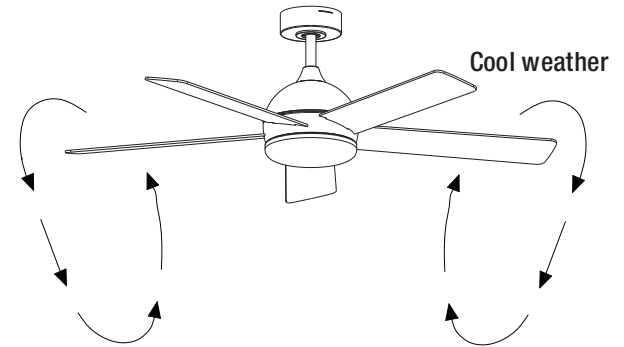
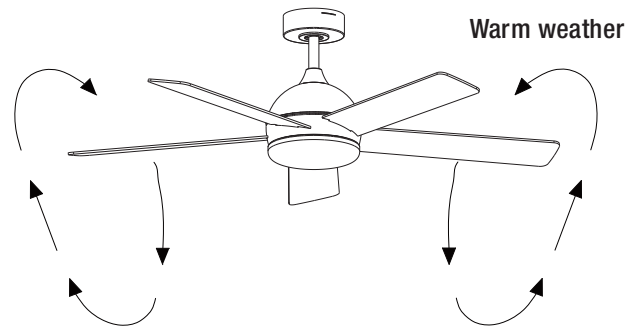
Remote Operation

Remote control

Your fan is equipped with a remote control to operate the speed and lights of your new ceiling fan.

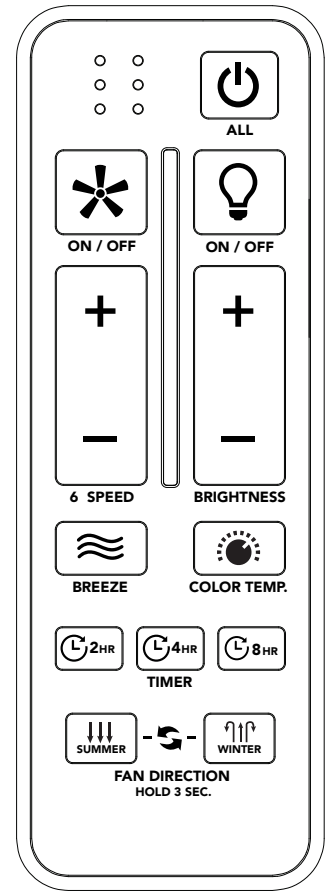
Warm weather - (Forward) A downward airflow creates a cooling effect. This allows you to set your air conditioner on a warmer setting without affecting your comfort.

Cool weather - (Reverse) An upward airflow moves warm air off of the ceiling. This allows you to set your heating unit on a cooler setting without affecting your comfort.



Remote Operation

Icon	Button Name	Action	Notes
	6 Speed LED	Change the fan speed will light up different quantity of indicators	
	All ON/OFF	Short press to turn the Fan and light on/off	
	Fan ON/OFF	Short press to turn the fan on/off Long press for 5 seconds to reset factory default setting	
	Light ON/OFF	Short press to turn light on/off Long press for 5 seconds to initiate pairing process	The brightness and CCT will be same as your last setting when turned on.
	Fan Speed	Short Press the button “+”to increase fan speed Short Press the button “-”to decrease fan speed	The default fan speed is level 6.
	Brightness Change	Short Press the button “+”to increase light brightness Short Press the button“-”to decrease light brightness Hold for 3 seconds to increase or decrease light level at a smooth curve	If pressing while the light is off; the light will turn on the last setting of brightness and CCT. The factory default is 100%.
	Comfort Breeze	Short or long press to enter breeze mode. Long press for 3 seconds again to exit breeze mode.	In breeze mode, the fan speed will vary (increase or decrease) automatically. The fan will not be set to a fixed speed in this mode.
	Color Temperature (CCT) Change	Short press to adjust color temperature	The default CCT is 3000K. There are 6 color temperatures to choose from: 2700K, 3000K, 3500K, 4000K, 5000K and 6500K.
	Timer Buttons	Short press to select the desired timer Long press for 3 seconds to cancel timer	The timer is set for the fan.
	Fan Direction	Long press for 3 seconds to change fan direction downward Long press for 3 seconds to change fan direction upward	



NOTE: On start up your ceiling fan will oscillate back and forth. This is NORMAL OPERATION for DC ceiling fan as it goes through its calibration cycle. The fan is NOT DEFECTIVE.

NOTE: Ceiling fan power on within 30 seconds, press and hold the light power button above 5 seconds to pair between remote and ceiling fan or cancel the pairing.

NOTE: Press and hold the fan power button above 5 second to reset factory default setting, reset status will be closed after 2 seconds. Factory default setting: 3000K, 100% brightness, fan forward, fan speed is level 6.

NOTE: Disconnect the power supply or wall control switch as a way to override intelligent or remote control.

Smart Setup Operation

- 1 Download the Hubspace™ app from the App Store or the Google Play Store.



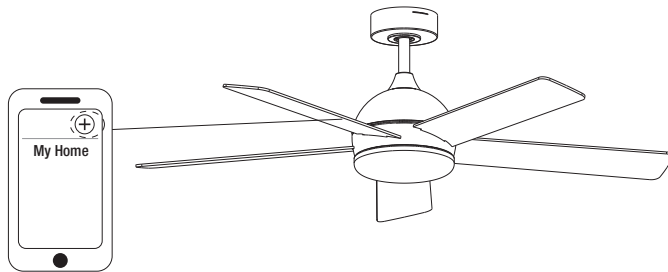
For more information on the Hubspace app, visit hubspace.com/Hubspace

- 2 Create an account to sign in or log in if you already have an account.

- 3 Connect your ceiling fan to power and follow the instructions on the app screen.

- NOTE:**
- This Hubspace device requires a 2.4GHz Wi-Fi channel. Hubspace only shows Wi-Fi networks that your device can use.
 - If you do not see your Wi-Fi network name when you attempt to connect your devices, please check your router settings or move your product closer to your Wi-Fi router.

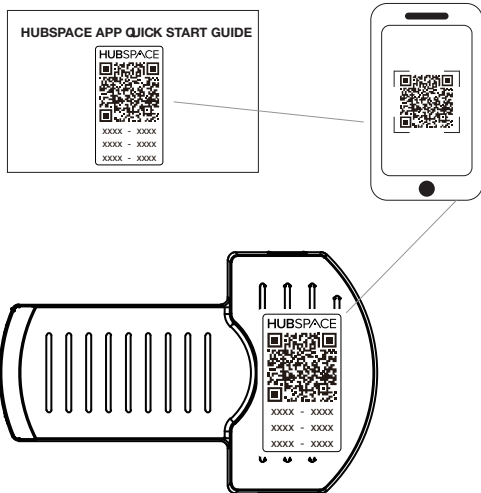
- 4 Tap the '+' button in the upper right corner to add your ceiling fan.



NOTE: Bluetooth access is required for device setup.

- 5 Scan the QR Code

- Scan the QR code in the quick start guide or on the ceiling fan. To scan the QR code on the ceiling fan, diffuser needs to be removed. Please follow step 1 in the Installations.



NOTE: If the QR code cannot be scanned, you can enter the code manually. Tap Enter Code and follow the instructions.

- 6 Using Your Smart Ceiling Fan

- Turn your smart ceiling fan on or off from the Home page on the Hubspace app.
- To set a schedule or timer, tap the name of the smart ceiling fan on the Home page. You will see options for setting Schedules and Auto-Off Timers.

- 7 Set up your Voice Assistant

- You can connect your smart ceiling fan to Google Home and Alexa from the Hubspace app. Or, you can sign in to Alexa app or Google Home and connect to your Hubspace devices from there.

Voice Commands

The Ossa 52 in. LED Indoor Smart Color Changing Ceiling Fan works with Alexa and Google Assistant.

This section lists some of the voice commands you can use. To view these and other commands, go to <http://hubspaceconnect.com>.

Alexa

When you want to...	Ask Alexa to...
Turn on the fan only.	... turn on <device name> fan power.
Turn off the fan only.	... turn off <device name> fan power.
Turn on the light only.	... turn on <device name> light power.
Turn off the light only.	... turn off <device name> light power.
Change the brightness.	... Set <device name> brightness to 100%. ... Set <device name> light to 10%. ... Make <device name> dimmer. ... Make <device name> brighter. ... Dim <device name>. ... Brighten <device name>. ... Dim <group name>. ... Brighten <group name>.
Change the White Temperature.	... Change <device name> to Cool White. ... Change <device name> to Warm White. ... Change <device name> to Daylight White. ... Change <device name> to White.
Change the fan speed.	... Set <device name> speed to fastest. ... Set <device name> speed to fast. ... Set <device name> speed to medium. ... Set <device name> speed to slow. ... Increase <device name> speed. ... Decrease <device name> speed.
Turn on Comfort Breeze.	... Turn on Comfort Breeze on <device name>

Google

When you want to...	Ask Google to...
Turn on the fan only.	... turn on <device name> fan power.
Turn off the fan only.	... turn off <device name> fan power.
Turn on the light only.	... turn on <device name> light power.
Turn off the light only.	... turn off <device name> light power.
Change the brightness.	... Set <device name> brightness to 75%. ... Set <device name> light to 25%. ... Brighten <device name>. ... Dim <device name>. ... Brighten <room name>. ... Dim <room name>.
Change the White Temperature.	... Change <device name> to Ivory. ... Change <device name> to Daylight. ... Change <device name> to Cool White. ... Change <device name> to Warm White. ... Change <device name> to Incandescent.
Change the fan speed.	... Set <device name> speed to fastest. ... Set <device name> speed to fast. ... Set <device name> speed to medium. ... Set <device name> speed to slow. ... Increase <device name> speed. ... Decrease <device name> speed.
Turn on Comfort Breeze.	... Turn on Comfort Breeze on <device name>

Care and Cleaning



WARNING: Make sure the power is off before cleaning your fan.

- Because of the fan's natural movement, some connections may become loose. Check the support connections, brackets, and blade attachments twice a year. Make sure they are secure. It is not necessary to remove the fan from the ceiling.
- Clean your fan periodically to help maintain its new appearance over the years. Do not use water when cleaning, as this could damage the motor, or the wood, or possibly cause an electrical shock. Use only a soft brush or lint-free cloth to avoid scratching the finish. The plating is sealed with a lacquer to minimize discoloration or tarnishing.
- You can apply a light coat of furniture polish to the wood for additional protection and enhanced beauty. Cover small scratches with a light application of shoe polish.
- You do not need to oil your fan. The motor has permanently-lubricated sealed ball bearings.

Troubleshooting

Problem	Solution
The fan will not start.	<ol style="list-style-type: none">1. Check to make sure the wall switch is in the on position if applicable.2. Check the main and branch circuit fuses or breakers.3. Make sure your device is connected to a power source.4. Check the battery in the remote control, the transmitter and receiver are matched.
The fan is noisy.	<ol style="list-style-type: none">1. Make sure the fan was not damaged prior to installation.2. Ensure the screws that attach the fan blade bracket to the motor hub are tight.3. Ensure the hanging units are fixed and tight.4. Ensure the glass shade is secure.5. Ensure the motor assembly does not contain any debris.
The fan wobbles	<ol style="list-style-type: none">1. Due to different weight and density of blades, the blades cannot be replaced by other type or it will effect its balance while working.2. Ensure the screws that attach the fan blade bracket to the motor hub are tight.3. Ensure the hanging units are fixed and tight.4. If the above are normal, you can adjust the device according to the guide of balancing kit.
Lighting source is not working	<ol style="list-style-type: none">1. Check the power connection from the fan to the electrical power supply;2. Check if the terminal from the LED module is connected properly.3. Check if the LED Module is damaged.
Ceiling fan is uncontrollable by remote device	Make sure no disturbance from same frequency controller, you may rematch the device according to guidance.
Fan moves backwards and forwards when turned on.	This is normal start-up procedure for DC motor fans. The partial movement during start-up is the result of the DC motor aligning the internal magnetic poles for proper motor operation. This design saves electricity and allows the fan to operate much quieter than standard AC motor fans.



NOTE: On start up your ceiling fan will oscillate back and forth. This is NORMAL OPERATION for DC ceiling fan as it goes through its calibration cycle. The fan is NOT DEFECTIVE.

The guide of balancing kit

The Balancing Kit should only be used if there is an unacceptable amount of fan wobble after completing all the steps in your Owner's Manual under "Attaching the Fan Blades."

1. Turn the fan on and set the speed control setting to a speed at which the wobble is the greatest.
2. Turn off the fan and allow it to come to a complete stop. Select one blade and place the balance clip on it, halfway between the blade holder and the blade tip on the trailing edge of the blade.
3. Turn the fan on. Note whether the wobble has increased or decreased. Turn the fan off, move the clip to another blade, and retest. Repeat this procedure on all blades noting the blade on which the greatest improvement is achieved.
4. Move the clip back to the blade that showed the greatest improvement. Move the clip inward and outward on this blade and operate the fan to find the position where the clip gives the greatest improvement.
5. Remove the clip and install a balancing weight to the top of the blade along the centerline near the point where the clip was positioned.
6. If the fan wobble problem has not been corrected you may wish to try to improve the balancing further by using the balancing clip and additional weights.



NOTE: Make sure the power is off before maintenance

Troubleshooting

Problem	Solution
My Hubspace device is not connecting to Wi-Fi.	Make sure your device is connected to a power source. Your Internet connection or Wi-Fi network may be down.
My device cannot find any Wi-Fi networks.	Make sure you have a 2.4GHz capable Wi-Fi network within range of the device you are trying to add.
My device is in a location that does not have Wi-Fi. Can I still use it with the Hubspace app?	Yes. Use the app on a phone with an Internet connection like LTE. The phone must be within Bluetooth range of your Hubspace device and have Bluetooth enabled.
I cannot find the QR code.	It is on the ceiling fan housing. A copy of the QR code is also included in your device's documentation.
The QR code has become damaged. How do I add the device?	Under the QR code are numbers. You can enter those in manually instead of scanning the code.
I lost my QR code. How do I add a device?	<ol style="list-style-type: none">1. Make sure the device is connected to power.2. In the Hubspace app, tap +, then Add Device.3. On the Scan Device screen, tap the Search button in the lower right corner.4. Follow the onscreen instructions.
The device is on another account. How do I transfer it?	Scan the QR code and it will transfer to your account.
My device is offline for long periods of time.	Make sure your Wi-Fi signal strength is sufficient. You may need to move your router, use mesh Wi-Fi, or Wi-Fi extenders.
The device is on and I scanned the QR code, but the app cannot connect to it.	Turn off Bluetooth on your phone and turn it back on. Then, scan the QR code. If the problem persists, turn your phone off and on, then try again.
Can I scan the same QR code to add multiple products?	No. Each product has a unique QR code.

HOME
DECORATORS
COLLECTION®

Questions, problems, missing parts? Before returning to the store,
call Home Decorators Collection Customer Service
8 a.m. - 7 p.m., EST, Monday-Friday, 9 a.m. - 6 p.m., EST, Saturday

1-800-986-3460

HOMEDEPOT.COM/Hubspace

Retain this manual for future use.

