

⚠ WARNING: Holds up to most 50" Flat Panel Televisions (Maximum weight Capacity: 50lbs evenly distributed).



ELECTRIC FIREPLACE MEDIA UNIT



Lot number: _____

Date: _____

IMPORTANT:

NOTE: DO NOT RETURN UNIT TO THE STORE BEFORE CONTACTING OUR CUSTOMER SERVICE DEPARTMENT. DO NOT DISPOSE OF YOUR CARTONS UNTIL YOU ARE COMPLETELY SATISFIED WITH YOUR NEW FIREPLACE HEATER.

PLEASE NOTE: WHEN YOU OPEN THE CARTON CAREFULLY CHECK THE UNIT AND MAKE SURE THERE IS NO DAMAGE. IF YOU HAVE ANY PROBLEMS WITH THE UNIT, WITH HOW THE VARIOUS FUNCTIONS WORK, DAMAGED OR MISSING PARTS PLEASE CALL 1-844-455-4621 IMMEDIATELY FOR SERVICE.

NOTE: Light bulbs may become loose during shipping. If the flame effect is dim or does not work, please check that light bulb or bulbs are finger tight in socket. See instructions for replacing bulb or bulbs.

INSTRUCTION MANUAL

ATTENTION:

1. Find a location for the electric fireplace heater that is protected from direct sunlight.
2. Do not plug the unit into the power outlet before reading all instructions.

IMPORTANT SAFETY INSTRUCTIONS

WHEN USING ELECTRICAL APPLIANCES, BASIC PRECAUTIONS SHOULD ALWAYS BE FOLLOWED TO REDUCE THE RISK OF FIRE, ELECTRIC SHOCK, AND INJURY TO PERSONS, INCLUDING THE FOLLOWING:

- 1) Read all instructions before using this electric fireplace heater.
- 2) This electric fireplace heater is hot when in use. To avoid burns, do not let bare skin touch hot surfaces. If provided, use handles when moving this heater. Keep combustible materials, such as furniture, pillows, bedding, papers, clothes, and curtains at least 3 feet (0.9 m) away from the front of the unit and keep them away from the sides and rear.
- 3) Extreme caution is necessary when any heater is used by or near children or individuals with disabilities and whenever the electric fireplace heater is left operating and unattended.
- 4) Always unplug electric fireplace heater when not in use.
- 5) Do not operate any heater with a damaged cord or plug or after the heater malfunctions, has been dropped or damaged in any manner.
- 6) Do not use outdoors.
- 7) This electric fireplace heater is not intended for use in bathrooms, laundry areas and similar indoor locations. Never locate electric fireplace heater where it may fall into a bathtub or other water container.

Model: SP5975 / SP5976

- 8) Do not run cord under carpeting. Do not cover cord with throw rugs, runners, or similar coverings. Do not route cord under furniture or appliances. Arrange cord away from traffic area and where it will not be tripped over.
- 9) To disconnect electric fireplace heater, turn controls to off, then remove plug from outlet.
- 10) Connect to properly grounded outlets only.
- 11) Do not insert or allow foreign objects to enter any ventilation or exhaust opening as this may cause an electric shock or fire, or damage the heater.
- 12) To prevent a possible fire, do not block air intakes or exhaust in any manner. Do not use on soft surfaces, like a bed, where openings may become blocked.
- 13) A heater has hot and arcing or sparking parts inside. Do not use it in areas where gasoline, paint, or flammable liquids are used or stored.
- 14) Use this electric fireplace heater only as described in this manual. Any other use not recommended by the manufacturer may cause fire, electric shock, or injury to persons.
- 15) Avoid the use of an extension cord because the extension cord may overheat and cause a risk of fire. If you must use an extension cord, the cord must be 14 AWG and have a minimum rating of 1875 watts.
- 16) Caution: Do not plug this product into a receptacle controlled by a wall switch or dimmer.
- 17) When storing or transporting the unit and cord, keep in a dry place, free from excessive vibration and store so as to avoid damage.

SAVE THESE INSTRUCTIONS FOR FUTURE USE.

CAUTION:

IF YOU USE THIS HEATER IN CONJUNCTION WITH A THERMAL CONTROL, A PROGRAM CONTROLLER, A TIMER OR ANY OTHER DEVICE THAT SWITCHES THE HEATER ON AUTOMATICALLY, REMEMBER TO OBSERVE ALL SAFETY WARNINGS AT ALL TIMES. THE FIREPLACE HEATER HAS SAFETY OVERHEAT PROTECTION. IF THE OVERHEAT PROTECTION TRIPS, SWITCH OFF ALL SWITCH BUTTONS AND WAIT APPROXIMATELY 5 -10 MINUTES. IT SHOULD RESET AUTOMATICALLY ONCE THE UNIT COOLS DOWN.

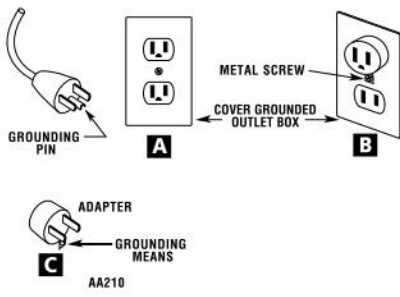
WARNING: WARNING DO NOT LOAD MORE THAN 22.7KG(50LBS) ON THE TOP SHELF

WARNING:

PROCEDURES AND TECHNIQUES IF NOT CAREFULLY FOLLOWED WILL RESULT IN DAMAGE TO THE EQUIPMENT AND WILL EXPOSE THE USER TO THE RISK OF SERIOUS INJURY, ILLNESS OR DEATH.

THIS ELECTRIC FIREPLACE HEATER IS FOR USE ON 120 VOLTS. THE CORD HAS A PLUG AS SHOWN AT A IN ILLUSTRATION BELOW. AN ADAPTER AS SHOWN AT C IS AVAILABLE FOR CONNECTING THREE-BLADE GROUNDING-TYPE PLUGS TO TWO-SLOT RECEPTACLES. THE GREEN GROUNDING PLUG EXTENDING FROM THE ADAPTER MUST BE CONNECTED TO A PERMANENT GROUND SUCH AS A PROPERLY GROUNDED OUTLET BOX. THE ADAPTER SHOULD NOT BE USED IF A THREE-SLOT GROUNDED RECEPTACLE IS AVAILABLE.

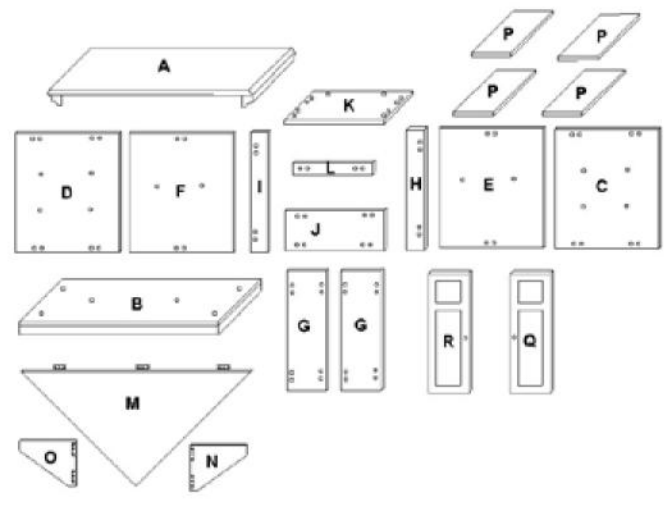
A 15 AMP CIRCUIT IS REQUIRED TO OPERATE THIS HEATER. IF THE BREAKER TRIPS WHEN THE HEATER IS USED THEN YOU MAY NEED TO MOVE THE HEATER TO ANOTHER LOCATION OR UNPLUG OTHER APPLIANCES THAT ARE ON THE SAME CIRCUIT. IF YOU REQUIRE AN EXTENSION CORD USE ONE THAT IS RATED AT 1875 WATTS.



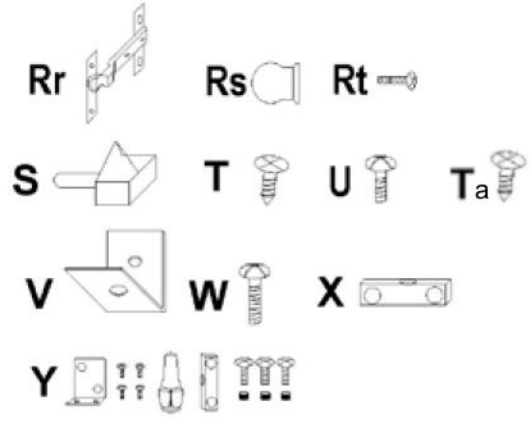
PARTS LIST:

Fireplace insert.....	1
A) Top panel	1
B) Base panel	1
C) Left outer side panel	1
D) Right outer side panel	1
E) Left inner side panel	1
F) Right inner side panel	1
G) Back panels	2
H) Left front panel	1
I) Right front panel.....	1
J) Back centre panel.....	1
K) Centre shelf.....	1
L) Flange of centre shelf	1
M) Corner panel.....	1
N) Left corner support.....	1
O) Right corner support.....	1
P) Shelves	4
Q) Left door	1
R) Right door	1
Rr) Door hinges.....	4
Rs) Door handles.....	2
Rt) Door screws	2
S) Shelf supports	16
T) Small Mounting screws	14
Ta) Big Mounting screws	16
U) Short KD screws.....	5
V) "L" Mounting brackets.....	2
W) KD screws.....	102
X) Plastic Connectors.....	34
Y) SELF REPAIR SET	
Touch-up repair paint (bottle).....	1
L-shape bracket.....	2
Screws for L bracket.....	8
Plastic connectors	1
KD screws.....	3
KD nuts.....	3

TOOL REQUIRED: PHILLIPS HEAD SCREWDRIVER



BACK



MANTEL ASSEMBLY:

CAUTION: Place a piece of cardboard or protective sheet on the floor in order to avoid scratching the decorative surface of your mantel during assembly.

Please **DO NOT** fully tighten the KD screws until all panels are assembled.

NOTE: Each plastic connector is pre-assembled (pre-drilled) on the specific panels with 2 screws. If the KD screw(s) do not fit during assembly, loosen the 2 (pre-drilled) screws to adjust the plastic connector until the KD screws are able to be installed. Tighten all KD screws once all panels are assembled.

Step 1: Attach 12 plastic connectors to panels C, D, E and F with 24 KD screws.
Attach 16 shelf support pins to panel C, D, E and F. See Fig. A.

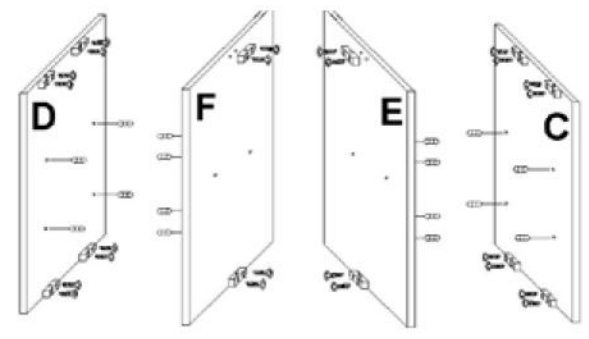


Fig. A

BACK

Step 2: Attach 22 plastic connectors [X] to panels G, H, I, J, K and L with 44 KD screws. See Fig. B.

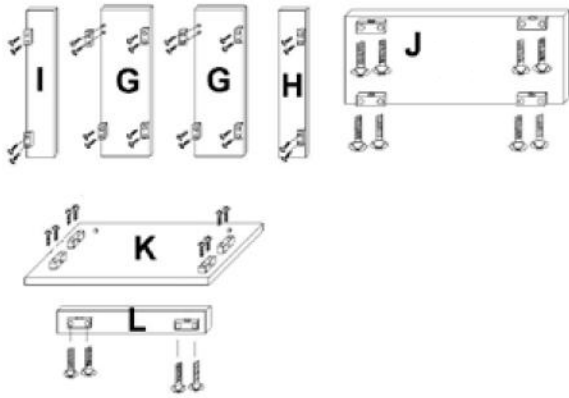


Fig. B **BACK**

Step 3: Attach panel C and D to base panel [B] with 4 KD screws. See Fig. C.

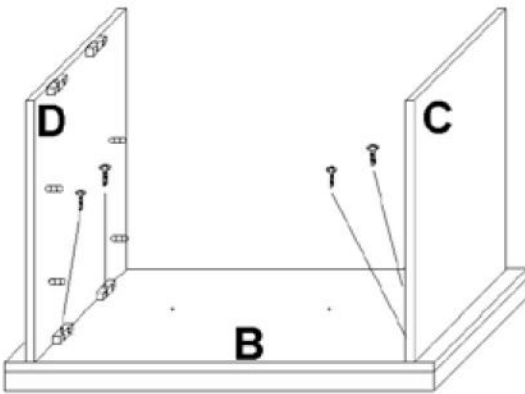


Fig. C **BACK**

Step 4: Attach panel F to base panel [B] with 1 KD screw. See fig. D.

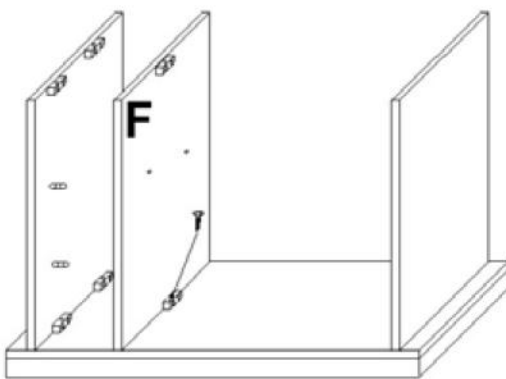


Fig. D **BACK**

Step 5: Attach panel G to panels D and F with 4 KD screws. See fig. E.

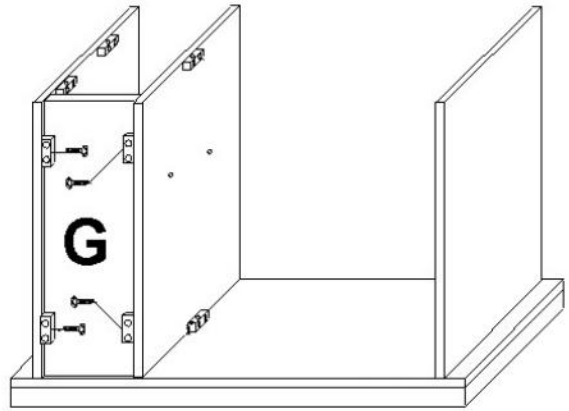


Fig. E **BACK**

Step 6: Attach panel E to base panel [B] with 1 KD screw. See fig. F.

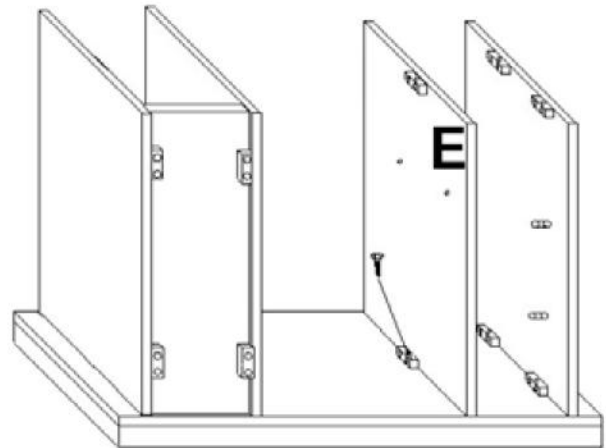


Fig. F **BACK**

Step 7: Attach panel G to panels C and E with 4 KD screws. See fig. G.

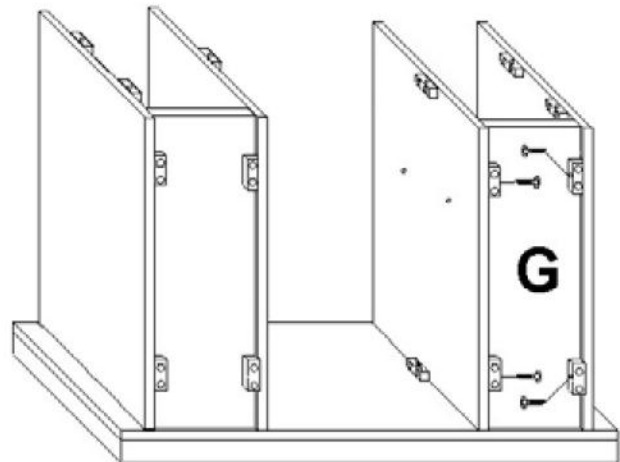


Fig. G **BACK**

Step 8: Attach panel H to panel E with 2 KD screws. Attach panel I to panel F with 2 KD screws. See fig. H.

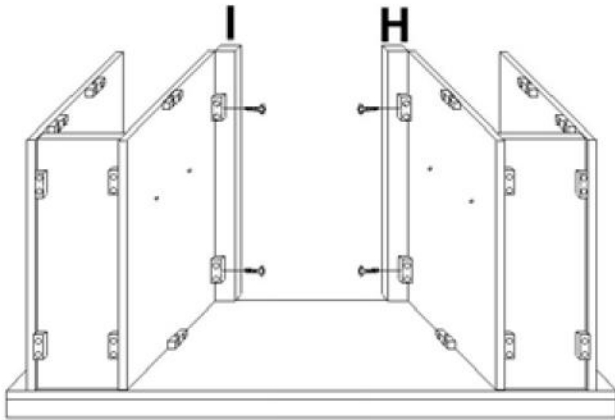


Fig. H **BACK**

Step 9: Attach panel L to panel K with 2 KD screws. See fig. I.

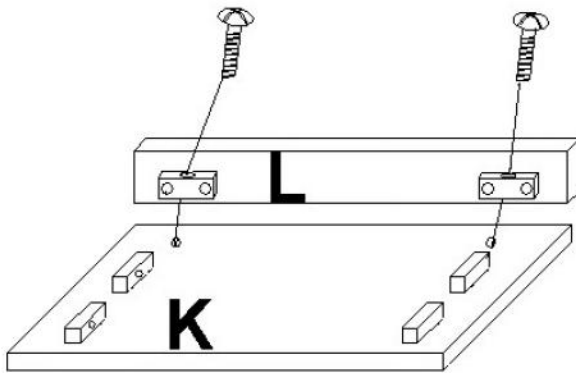


Fig. I **BACK**

Step 10: Attach panel K to panel E and F with 4 KD screws. See fig. J.

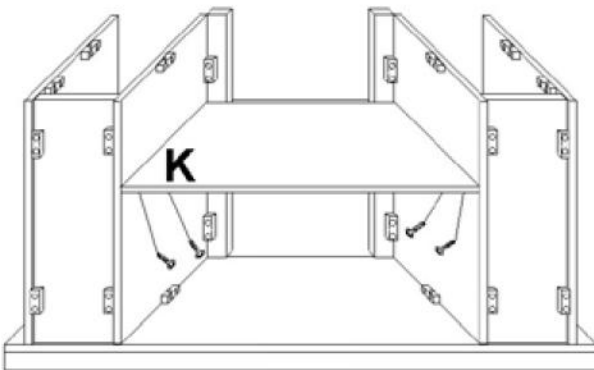


Fig. J **BACK**

Step 11: Attach panel J to panel K with 2 KD screws. See fig. K.

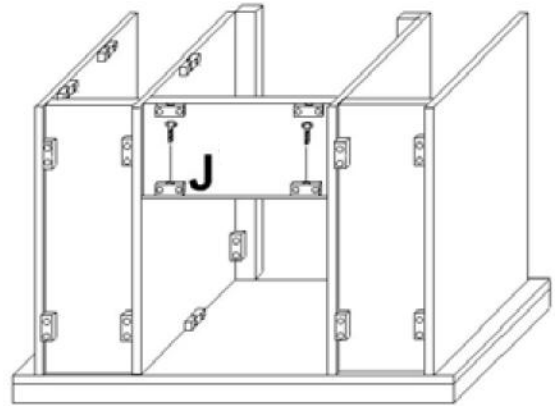


Fig. K **BACK**

Step 12: Attach panel N and O as shown in Fig. L with 8 smaLL mounting screws (T). See fig. L.

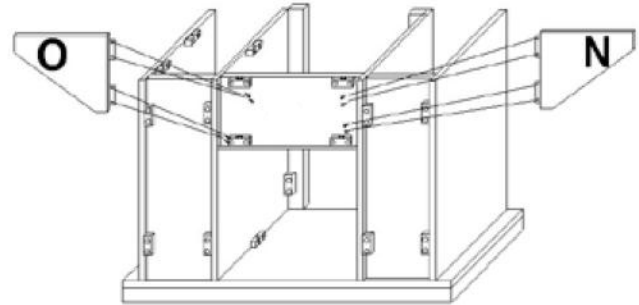


Fig. L **BACK**

Step 13: Attach top panel [A] to the unit as shown in Fig. M and Fig. MM with 8 KD screws.

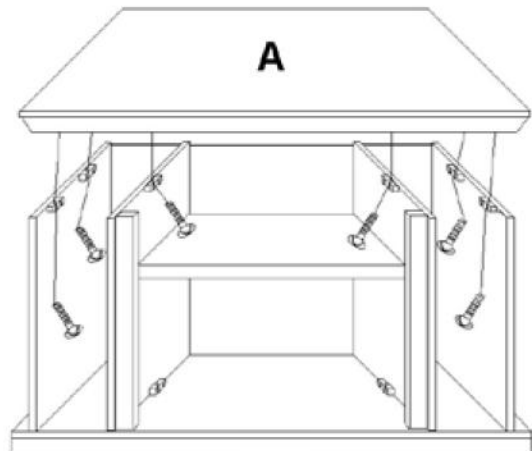


Fig. M **FRONT**

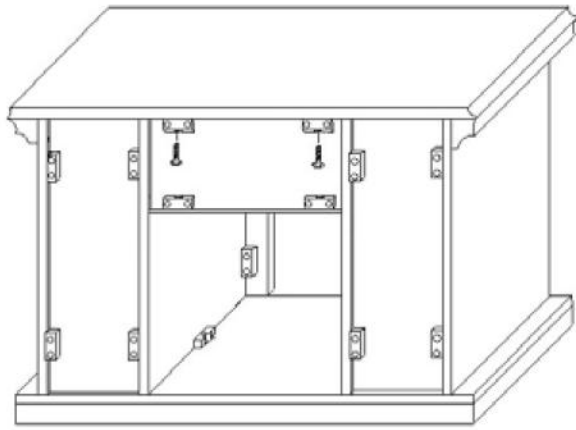


Fig. MM **BACK**

Step 14: Attach corner panel to top panel [A] with 6 smaLL mounting screws (T). See fig. N.

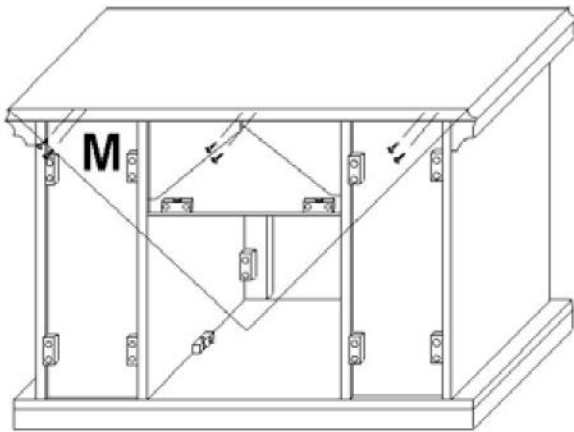


Fig. N **BACK**

Step 15: Attach 4 panel P into the unit as shown in Fig. O.

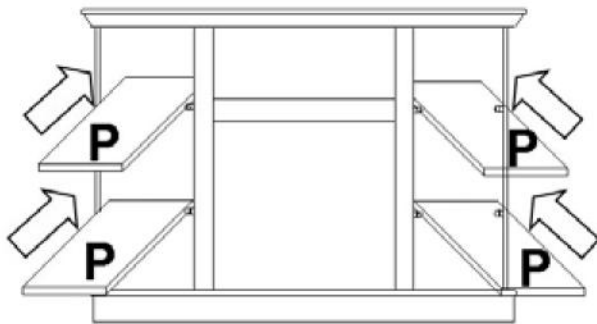


Fig. O **FRONT**

Step 16: Attach 4 door hinges to left and right door [Q and R] with 8 blg mounting screws [Ta] (2 screws for each hinge) as shown in Fig P. Attach left and right door [Q and R] to panel C and D with 8 blg mounting screws [Ta] (2 screws for each hinge). See Fig. PP. Attach door handles [Rs] to left and right door with 2 door screws [Rt].

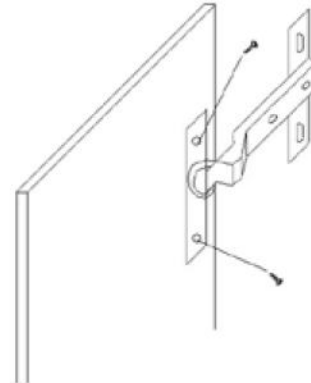


Fig. P

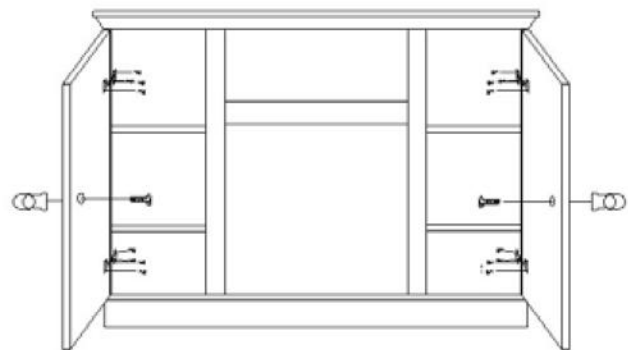


Fig. PP **FRONT**

Step 17: Tighten all KD screws.

FIREPLACE INSERT INSTALLATION

The fireplace insert can be installed after the mantel has been fully assembled.

WARNING: MAKE SURE THE FIREPLACE INSERT CONTROLS ARE IN THE OFF POSITION AND THE UNIT IS NOT PLUGGED IN.

WARNING: DO NOT TOUCH. HOT SURFACE AT CENTER OF GRILL. HOLD LEFT OR RIGHT SIDE OF THE GRILL WHEN PULLING OUT.

Step 1: Carefully place the insert in the unit opening. The front of insert should be flush with the front of the mantel. Carefully lift the insert into the mantel until the top stopper is against the mantel.

Step 2: Attach 3 short KD screws (U) at the top of insert and attach the L-mounting bracket to base panel with 2 Short KD screws. See Fig S.

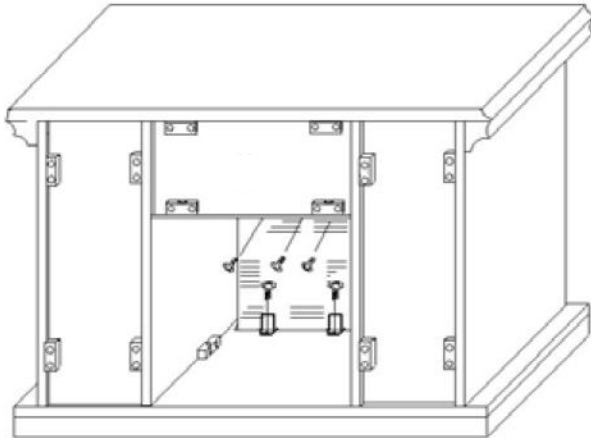


Fig. S

BACK

Step 3: Move assembled unit to desired location. Unit should not be positioned in area exposed to direct sunlight.

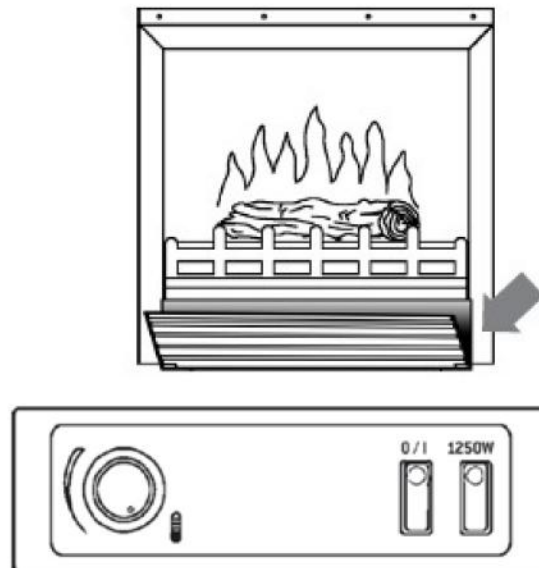
OPERATION

After reading instructions completely, confirm all controls on fireplace are in the OFF position. Plug the fireplace into a 15AMP/120Volt outlet. If the cord does not reach, you may use an extension cord rated for a minimum of 1875 WATTS. Once the fireplace insert has been properly connected to a grounded electrical outlet, it is ready to operate.

OPERATION BY THE CONTROL PANEL

The controls are located behind the grill below the front glass and can be accessed by pulling the grill from the top, forward and down.

WARNING: DO NOT TOUCH. HOT SURFACE AT CENTER OF GRILL. HANDLE LEFT OR RIGHT SIDE OF GRILL WHEN PULLING OUT.



O/I: Press this button for main power and flame effect. The indicator light will turn on. See below for other control switches.

1250W: For heat function - Press this switch while the O/I switch is in the ON position. The indicator light will turn on.

Temperature Control: To adjust the temperature to your individual requirements, turn the temperature control dial to the right (clockwise) to increase the desired temperature and to the left for lower temperature. This temperature control dial can only be used while the O/I switch and 1250W switch are in the ON position.

NOTE: When the O/I switch is turned off, the heater functions will stop even though the switches may be in the ON position.

MAINTENANCE

WARNING: DISCONNECT POWER AND UNPLUG THE POWER CORD BEFORE ATTEMPTING ANY MAINTENANCE OR CLEANING TO REDUCE THE RISK OF FIRE, ELECTRIC SHOCK OR DAMAGE TO PERSONS.

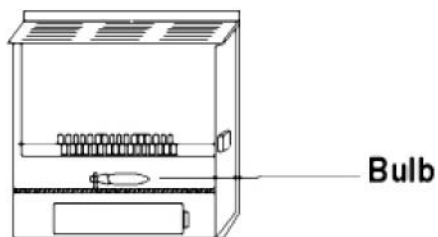
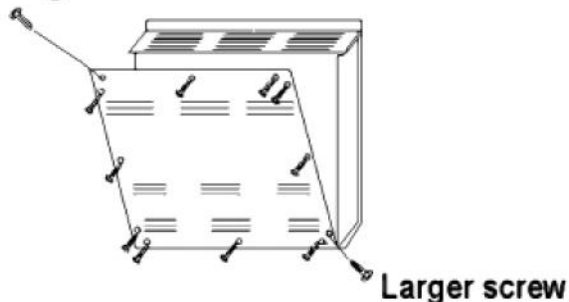
The bulbs in your unit can become extremely hot. Allow at least 10 minutes between turning off the unit and removing the light bulbs to avoid the accidental burning of the skin.

RISK OF FIRE: DO NOT EXCEED THE RECOMMENDED BULB WATTAGE.

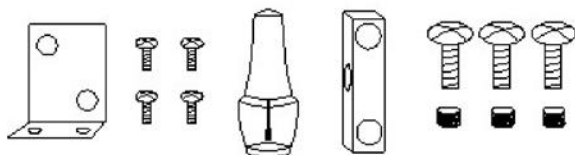
REPLACING THE FLAME EFFECT LIGHT AND LOG-SET LIGHT BULBS

- Step 1: Remove 12 screws on the back of fireplace and open the rear cover. There are 2 larger screws and 10 smaller screws
- Step 2: You will find 1 x 40W type B-10 bulbs under log-set bed.
- Step 3: Loosen and remove the burnt out bulb and replace with new bulb.
- Step 4: Close the rear cover. Secure the 2 larger screws into the top left corner hole and bottom right corner holes as shown in the diagram. Secure the 10 smaller screws into the remaining holes. Make sure the screws are in the correct holes and have been tightened.
- Step 5: Plug in the unit.

Larger screw

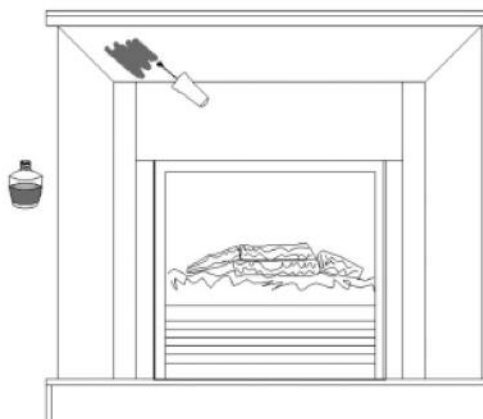


REPAIR SET



TOUCH-UP REPAIR PAINT

Paint directly on the mantel unit if necessary.



REPAIRS

If any problems are found with the original parts during mantel assembly such as the panels cannot be installed with the plastic connector. Try to solve by one of the following methods.

Tools required: Electric drill, drill bits 3/4 inches (10 mm) or 1/16 inches (2 mm), pencil, hammer, Phillips screwdriver, safety goggles and gloves (if necessary).

WARNING: WEAR GOGGLES BEFORE YOU START DRILLING.

OPTION 1:

Use the spare KD nuts, KD screws and plastic connector.

- Place the plastic connector on the mantel unit and mark the drill-holes as shown in Fig. A.

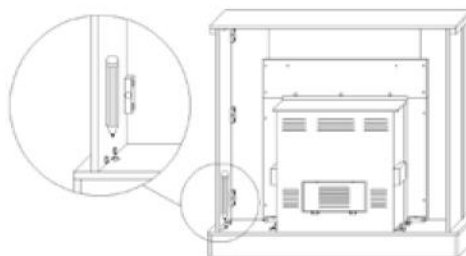


Fig. A

- Drill the holes with diameter 3/4 inches (10 mm) and depth 3/4 inches (10 mm) on the mantel. Each plastic connector needs 3 holes. See Fig. B.

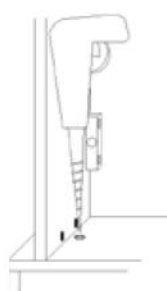


Fig. B

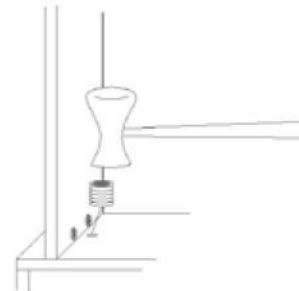


Fig. C

- Gently install the KD nuts into the drilled-holes with hammer as shown in Fig. C.

4. Attach the plastic connector and lock in place with KD screws as shown in Fig. D.



Fig. D

OPTION 2:

Use the small L-brackets and screws.

1. Place the small L-bracket to the unit as shown and mark the drill-holes on the mantel as shown in Fig. E.

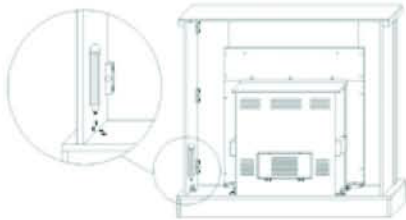


Fig. E

2. Drill the holes with diameter 1/16 inches (2 mm) and depth 5/16 inches (8 mm) on the mantel. Each small L-bracket needs 4 holes. See Fig. F.

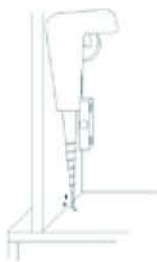


Fig. F



Fig. G

3. Attach the small L-bracket and lock in place with screws as shown in Fig. G.

CLEANING

To clean the unit, first turn off the controls on the unit and unplug the unit from power source. To clean glass display panel; remove dust with clean dry cloth or to remove finger prints and other marks clean glass with clean damp cloth. Do not use abrasive cleaners or spray liquids on glass display panel surface. Metal and metal painted parts should be cleaned with damp cloth. Do not use abrasive cleaners or spray liquids on these surfaces.

REPLACEMENT PARTS

ITEM	PART #	QTY
Self repair kit	RE-KIT	1
Hardware kit	902L-42HWT#1	1

WARRANTY

Every electric stove is tested before it leaves the factory and it is guaranteed for one year. If the unit should fail to operate correctly within one year from the date of purchase, call customer service at 1-844-455-4621. We will, at our discretion either repair or replace the unit. It will have to be returned to us freight prepaid and we will return the repaired or replaced unit to you freight prepaid. The company's sole obligation is to repair or replace the unit. This warranty is void if in the opinion of Source Pro the unit has been tampered with, altered, misused, damaged, abused or used with the wrong power source. Light bulbs are not covered by this warranty. The warranty is for homeowner use only and does not cover units used in commercial situations.

This warranty gives you specific legal rights and you may also have other rights which vary from State to State.

WARRANTY CLAIM PROCEDURE

If a claimable defect occurs, please contact our customer service department at 1-844-455-4621

Before you make your claim call, please make sure you have:

1. The description of the electric stove
2. Proof of sale
3. Details regarding the defect
4. Name and address of the owner and installer

Claims must be lodged within six (6) months of appearance of defect. Failure to comply with this stipulation will make the warranty null and void. We reserve the right to a thirty-day (30) delay following receipt of claim in which to inspect the product. We assume no responsibility for labor costs, removing/replacing a previously installed product, transportation or return of a product.

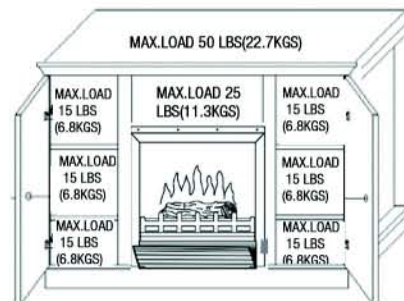
Manufactured by

Dongguan Source Pro Electrical Mfg. Co., Ltd.
No.6 Yin Feng First Road, Yin Hu Industrial Park, Xiegang Town, Dongguan City, Guangdong Province, China.

1-844-455-4621

Made in China

WARNING: DO NOT LOAD MORE THAN THE MAXIMUM ALLOWABLE WEIGHT INDICATED IN THE DIAGRAM BELOW.



WARNING: THE BASE OF TELEVISION DEVICE MUST BE ABLE TO REST ON THE SUPPORTING SURFACE OF THE UNIT WITHOUT OVERHANGING THE EDGES.