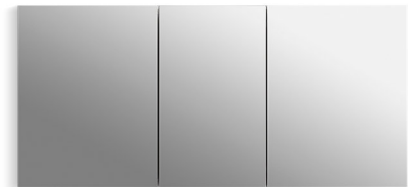


## Features

- Anodized aluminum construction with a durable rust-free and chip-free finish.
- Two adjustable tempered-glass shelves.
- Full-overlay mirrored door.
- Mirrored interior.
- Two-way adjustable hinges with 108-degree opening capability for easy cabinet access.
- Can be installed with left- or right-hand swing.
- Includes mounting hardware for surface or recessed installation.
- Includes side mirror kit for surface mount installation.
- Optional decorative Shaker frame available, K-99575-20.

## Material

- Anodized aluminum.

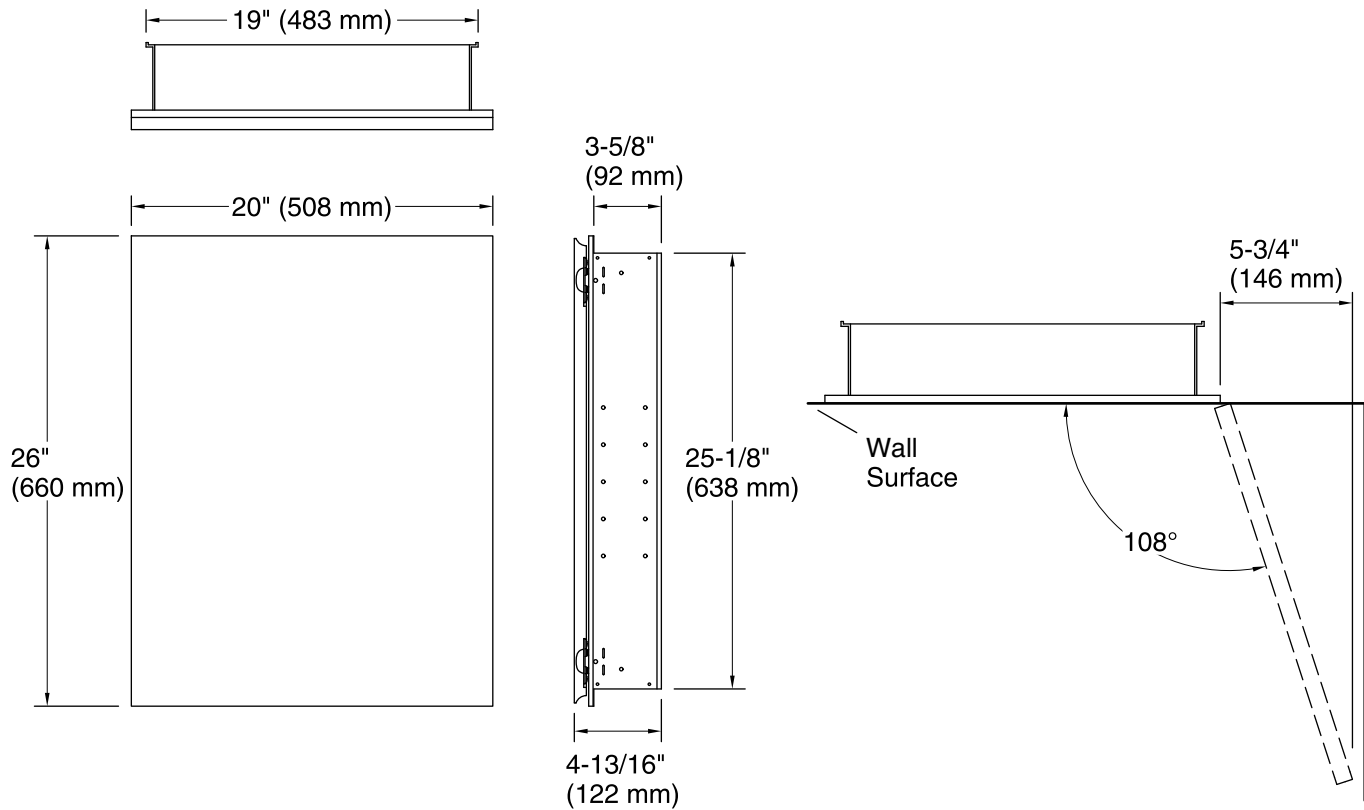


## Codes/Standards

None Applicable

## **KOHLER® One-Year Limited Warranty**

See website for detailed warranty information.



## Technical Information

All product dimensions are nominal.

### Recess-Mount Cutout:

Width:	19-1/4" (489 mm)
Height:	25-1/4" (641 mm)
Depth:	3-5/8" (92 mm)

## Notes

Install product according to the installation guide.

**CAUTION:** Risk of electric shock. Electrical wiring may need to be relocated.

**IMPORTANT!** For recess mounting, the wall cavity must be framed and cabinet secured to framing studs. Reroute any electrical wires or water supply piping from the wall cavity. If you encounter drain or vent piping, or if your wall is load-bearing, consult a professional before proceeding.

When determining the height of the cabinet, ensure the mirrored door will clear all obstacles (such as a faucet).

This cabinet is designed for either right or left door swing. Check for obstructions.

Cutout for recess-mount installation: 19-1/4" (489 mm) width x 25-1/4" (641 mm) height x 3-5/8" (92 mm) depth.