

## READ AND SAVE THESE INSTRUCTIONS INSTALLATION & OPERATION INSTRUCTIONS

### CAUTION:

Before assembling your lighting fixture, refer to the section titled electrical connections. If you feel you do not have electrical wiring experience, refer to a do-it-yourself wiring handbook or have your fixture installed by a qualified licensed electrician.

### GENERAL:

1. To ensure the success of the installation, be sure to read these instructions and review the diagrams thoroughly before beginning.
2. All electrical connections must be in accordance with local codes ordinances, or the national electrical code, if you are unfamiliar with methods of electrical wiring, secure the service of a qualified licensed electrician.
3. These fixtures are intended to be mounted to a 4" X 2-1/8" deep metal octagon outlet box. The box must be directly supported by the building structure.
4. Before starting the installation, disconnect the power by turning off the circuit breaker or by removing the fuse at the fuse box. Turning the off using the light switch is not sufficient to prevent electrical shock.
5. This fixture should be mounted under a partially protected location such as canopies, roofed open porches and the like, to avoid direct exposure to rain.

### NOTE:

The important safeguards and instructions appearing in this manual are not meant to cover all possible conditions and situations that may occur. It must be understood that common sense, caution, and are factors which cannot be built into any product. These factors must be supplied by the person(s) caring for and operating the fixture.

### THE FIXTURE

Check the contents of the box. You should receive:  
 -Mounting bracket.  
 -Mounting hardware.  
 -Fixture.  
 -Shade (s) not provided on all models.

### PREPARE THE FIXTURE

#### NOTE: FIRST TURN OFF ELECTRICITY

1. If you are replacing an existing fixture. Disconnect and remove the old fixture. Expose the supply wiring from the outlet box.
2. If your fixture is supplied with a threaded stem for mounting, refer to figure 1 and follow step 3 if your fixture is supplied with 2 machine screws, refer to figure 2 or 3 and follow step 4.

3. If your fixture is supplied with a threaded nipple, screw the nipple 3 complete turns into the mounting bracket and lock into place with a Hexagon locknut.
4. If your fixture is supplied with two machine screws, thread the machine screws into the opposite of the mounting bracket from the green grounding screw.
5. Fasten the mounting bracket to the outlet box using the two screws provided. The machine screws or threaded-nipple should be facing the outward direction.
6. While supporting the fixture, connect the grounding wire (Green or bare copper) from the fixture to the grounding conductor of the supply circuit, attach all of the grounding conductors to the mounting bracket with the green grounding attachment screw.
7. Make electrical connections see below.

### ELECTICAL CONNECTIONS

To make electrical connections:  
 Connect the white wire (s) from the fixture to the white wire of the supply circuit.  
 Connect the black wire (s) from the fixture to the black wire of the supply circuit. Use UL listed wire connectors suitable for the size, type, and number of conductors. No loose strands or loose connections should be present, secure the wire connectors with UL listed electrical tape.

### FINAL ASSEMBLY

1. Spread the electrical splices so that the black wires are on one side of the outlet box and the white wires are on the other side.
2. Place the fixture against the mounting surface allowing the machine screws or threaded stem to pass through the fixture coverplate, secure with the acorn nuts or mounting nut provided.
3. Install the light bulb (s) (not provided). Caution: Refer to the relamping label located near the lampholder for the recommended maximum wattage - do not exceed recommended wattage.
4. If applicable, secure the glass to the fixture with the screws provided.
5. Outdoor wall fixture must be caulked with suitable RTV or silicone compound around the top and sides of the coverplates to reduce the chance of water entering into the splicing area. Leave the bottom clear to allow moisture a means to escape.
6. Restore electricity and check the operation of your lighting fixtures.

# VO-121

Fig. 2

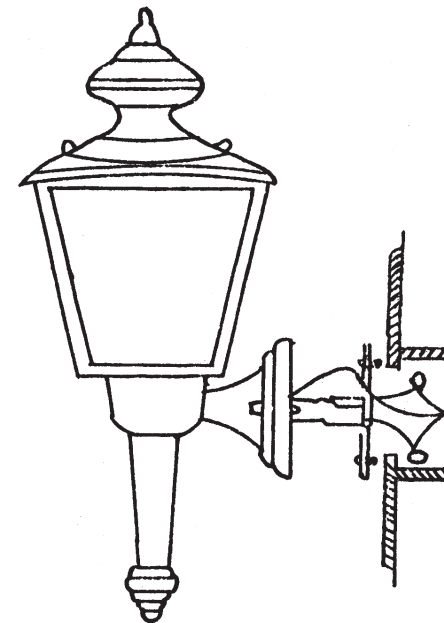
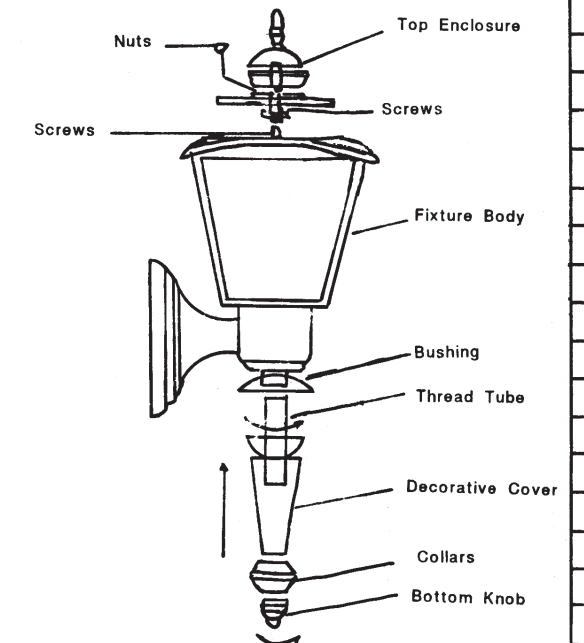


Fig. 4

### ASSEMBLY INSTRUCTIONS



NOTE: The above diagram illustrates the installation of your new lighting fixture. This is a representative drawing and is not intended to match the style of your fixture.

Fig. 3

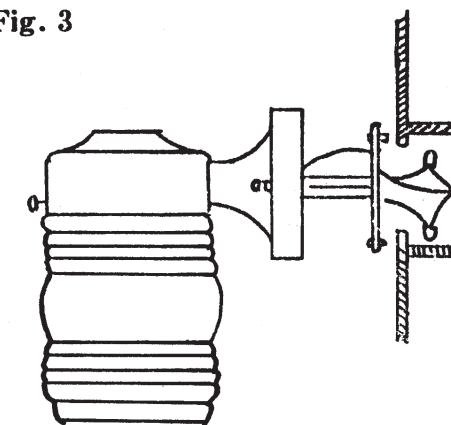


Fig. 1

