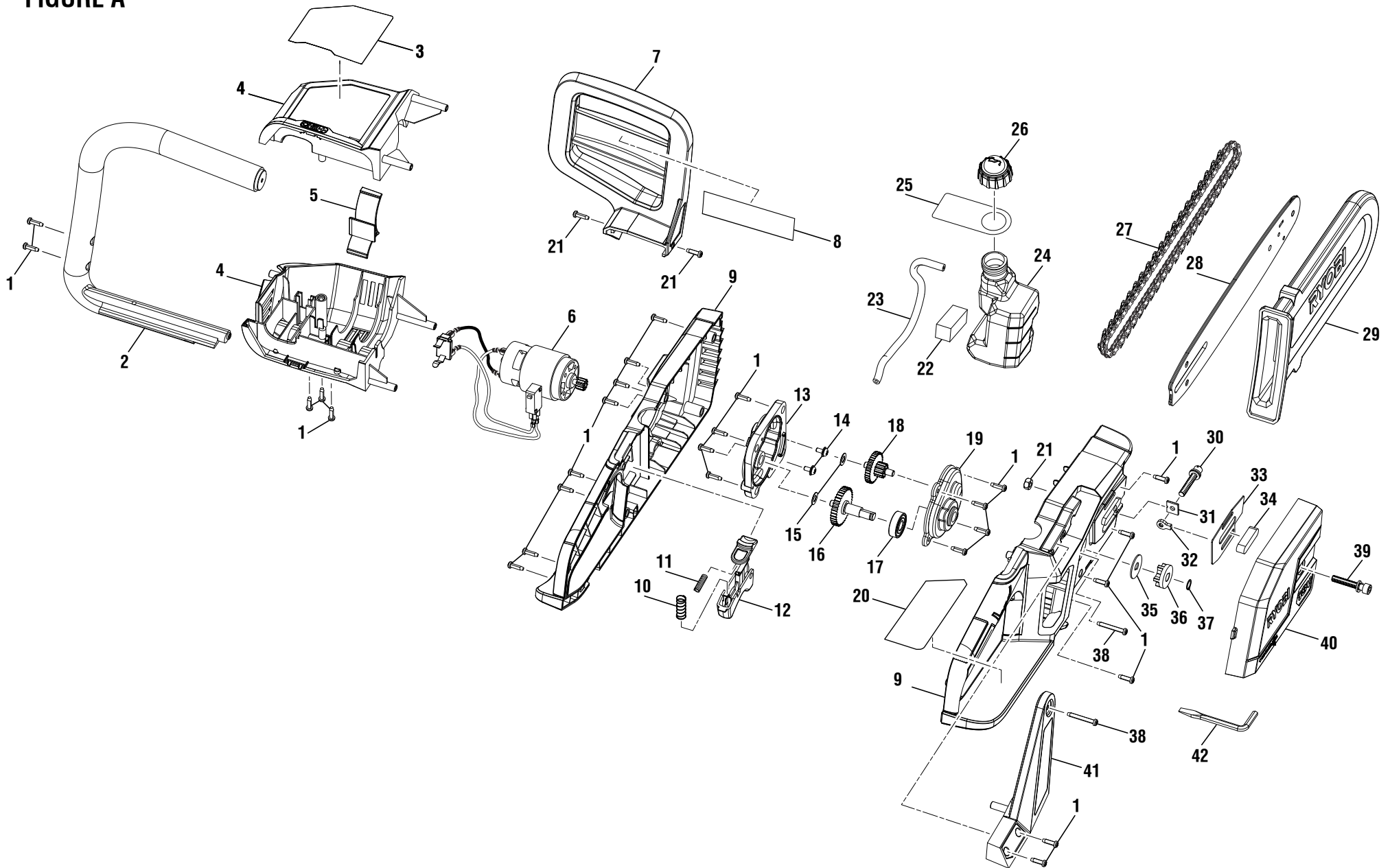


RYOBI
18 Volt Chain Saw
Item Number P546
Mfg. No. 107175001
Repair Sheet

FIGURE A

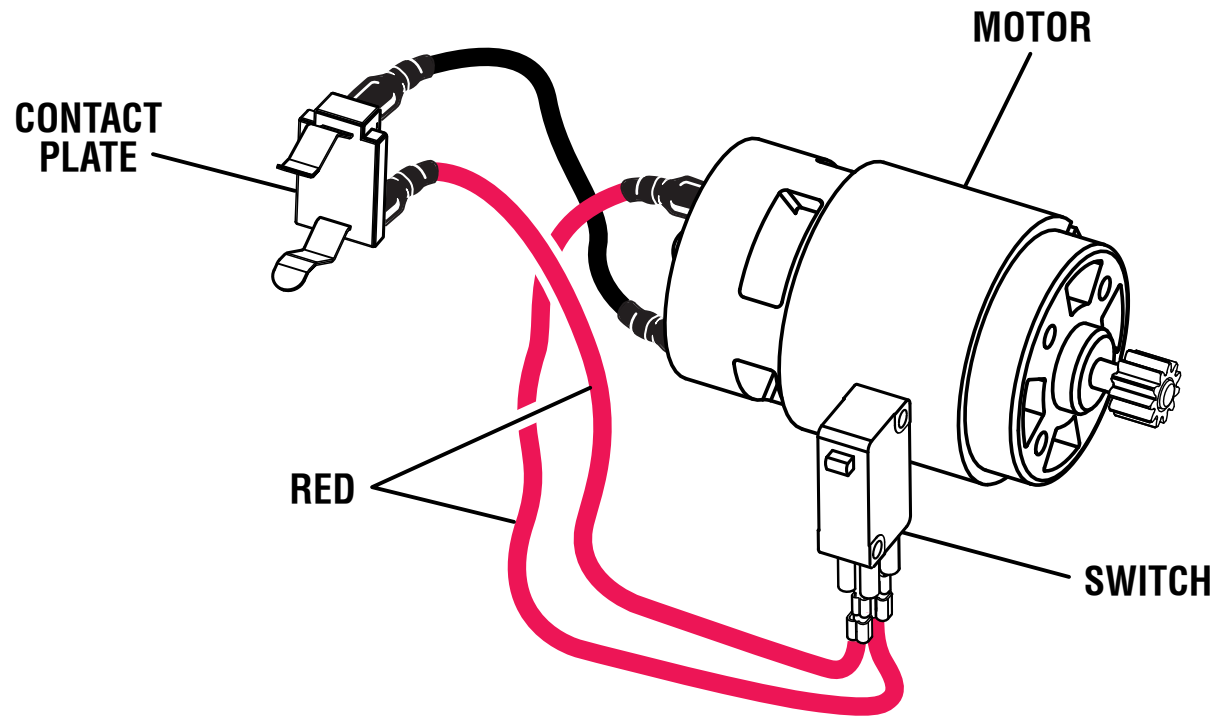


RYOBI CHAIN SAW – MODEL P546

FIGURE A PARTS LIST

KEY NO.	PART NUMBER	DESCRIPTION	QTY	KEY NO.	PART NUMBER	DESCRIPTION	QTY
1	661817001	Screw (M4 x 14 mm)	27	24	580163001	Oil Tank.....	1
2	529190001	Front Handle.....	1	25	961039009	Oil Cap Hang Tag	1
3	940851051	Warning Label	1	26	203642001	Oil Cap Assembly.....	1
4	203660001	Motor Housing Assembly (Incl. Key No. 3)	1	27	693814001	Saw Chain	1
5	529217001	Wind Plate.....	1	28	311278001	Guide Bar	1
6	203658001	Motor and Wiring Harness Assembly	1	29	580162001	Scabbard.....	1
7	203661001	Front Handle Guard (Incl. Key No. 8)	1	30	662323001	Screw w/Washer (M5 x 30 mm, Rd. Hd.).....	1
8	940657170	Icon Warning Label	1	31	690794001	Insert Plate	1
9	203659001	Housing Assembly (Incl. Key No. 20).....	1	32	620246001	Adjustment Block.....	1
10	679002004	Compression Spring	1	33	563865001	Rubber Gasket	1
11	679055011	Compression Spring	1	34	563443001	Oil Seal	1
12	203643001	Trigger Assembly.....	1	35	690733001	Cover Plate (Internal “D” Washer)	1
13	220308001	Gear Box Base Assembly	1	36	610323001	Sprocket.....	1
14	661861001	Screw (M4 x 8 mm)	2	37	670608002	Retaining Ring.....	1
15	690060001	Washer (ID6.5 x OD13 x 0.5t).....	2	38	660208104	Screw (M4 x 30 mm)	2
16	311125002	Output Gear and Shaft Assembly	1	39	660058002	Screw w/Washer (M6 x 35 mm, Soc. Hd.)	1
17	679979001	Ball Bearing (6000 2RS)	1	40	529213001	Bar Cover	1
18	311124002	Input Gear Assembly.....	1	41	529189001	Front Handle Arm.....	1
19	311123002	Gear Box Cover Assembly.....	1	42	612805001	Combination Hex Key (5 mm x 10 mm Slotted).....	1
20	941588085	Data and Warning Label.....	1				
21	661817003	Screw (M4 x 14 mm, Tamper Proof).....	2		Not Shown:		
22	563863001	Filter	1		988000082	Operator’s Manual	
23	570807005	Outlet Tube.....	1		7-16-15		
					(Rev:03)		

RYOBI CHAIN SAW – MODEL P546



WIRING DIAGRAM