

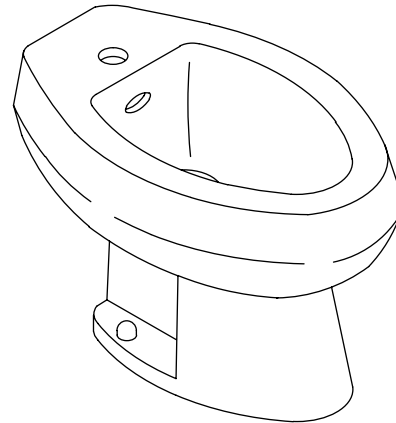
#### Features

- Vitreous china
- Drilled for fixture-mounted, single-hole, over-the-rim, bidet faucet
- For above or below the floor rough-in
- Includes mounting hardware

#### Codes/Standards Applicable

Specified model meets or exceeds the following:

- ASME A112.19.2/CSA B45.1



#### Colors/Finishes

- 0: White
- Other: Refer to Price Book for additional colors/finishes

#### Accessories

- CP: Polished Chrome

#### Specified Model

Model	Description	Colors/Finishes	
K-4876	Bidet	<input type="checkbox"/> 0	<input type="checkbox"/> Other_____
Recommended Accessories			
K-8998	P-Trap	<input type="checkbox"/> CP	

#### Product Specification

The bidet shall be made of vitreous china. The bidet shall be drilled for fixture-mounted, single-hole, over-the-rim bidet faucet. The bidet shall be for above or below the floor rough-in. The bidet shall include mounting hardware. The bidet shall be Kohler Model K-4876-\_\_\_\_\_.

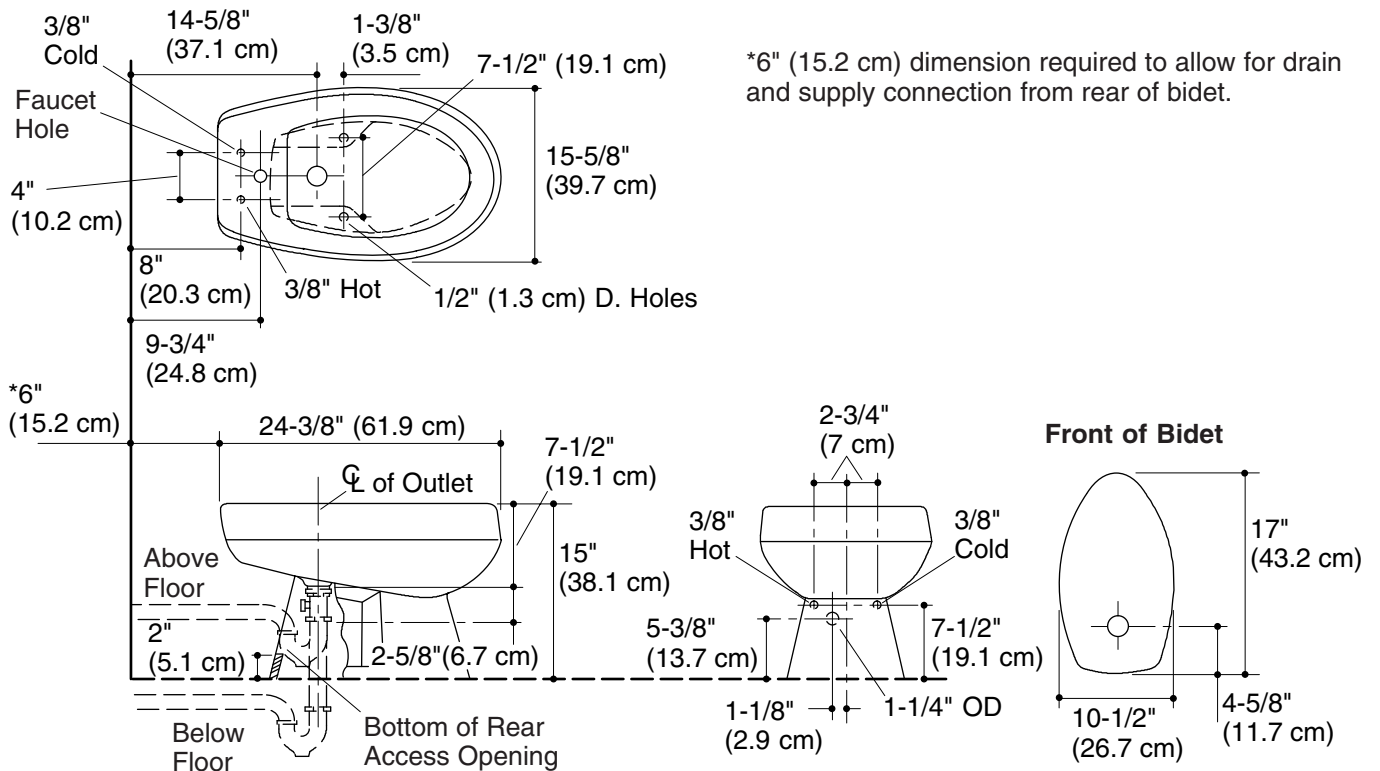
# AMARETTO®

## Technical Information

Fixture:	
Configuration	Faucet deck
Drain hole	1-3/4" (4.4 cm) D.
Faucet hole	1-3/8" (3.5 cm) D.
Included components:	
Floor screws and bolt caps	52049

## Installation Notes

Install this product according to the installation guide.  
Install trap in drain line below floor.



## Product Diagram