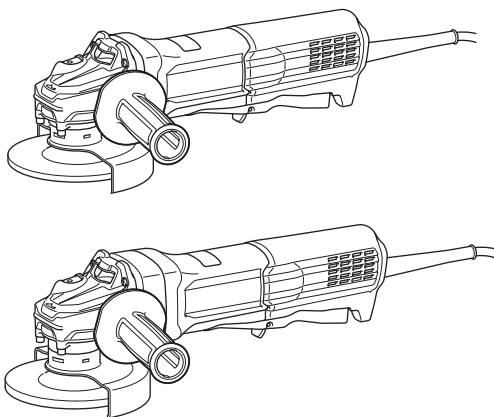


INSTRUCTION MANUAL
MANUEL D'INSTRUCTION
MANUAL DE INSTRUCCIONES



Angle Grinder Meuleuse d'Angle Esmeriladora Angular

GA4593
GA4594
GA4595
GA5093
GA5094
GA5095



DOUBLE INSULATION
DOUBLE ISOLATION
DOBLE AISLAMIENTO

IMPORTANT: Read Before Using.

IMPORTANT : Lire avant usage.

IMPORTANTE: Lea antes de usar.

SPECIFICATIONS

Model:		GA4593	GA4594	GA4595	GA5093	GA5094	GA5095
Applicable grinding wheel	Max. wheel diameter	115 mm (4-1/2")			125 mm (5") *	125 mm (5")	125 mm (5") *
	Max. wheel thickness	7.2 mm (9/32")					
Applicable cut-off wheel	Max. wheel diameter	115 mm (4-1/2")			125 mm (5") *	125 mm (5")	125 mm (5") *
	Max. wheel thickness	3.2 mm (1/8")					
Applicable wire wheel brush	Max. wheel diameter	115 mm (4-1/2")			125 mm (5") *	125 mm (5")	125 mm (5") *
	Max. wheel thickness	20 mm (13/16")					
Spindle thread		M14 or 5/8"(country specific)					
Max. spindle length		23 mm (29/32")					
No load speed (n ₀) / Rated speed (n)		11,500 /min					
Overall length		349 mm (13-3/4")	326 mm (12-7/8")		349 mm (13-3/4")		326 mm (12-7/8")
Net weight		2.8 - 4.0 kg (6.2 - 8.8 lbs)	2.6 - 3.8 kg (5.7 - 8.4 lbs)		2.9 - 4.0 kg (6.4 - 8.8 lbs)		2.7 - 3.8 kg (6.0 - 8.4 lbs)
Safety class		□/II					

- Due to our continuing program of research and development, the specifications herein are subject to change without notice.
- Specifications may differ from country to country.
- The weight may differ depending on the attachment(s). The lightest and heaviest combinations, according to EPTA-Procedure 01/2014, are shown in the table.

Country specific

* If you install optional wheel guard indicated as 4-1/2" on the tool, 115mm (4-1/2") wheels can be used.

SAFETY WARNINGS

General power tool safety warnings

⚠ WARNING: Read all safety warnings, instructions, illustrations and specifications provided with this power tool. Failure to follow all instructions listed below may result in electric shock, fire and/or serious injury.

Save all warnings and instructions for future reference.

The term "power tool" in the warnings refers to your mains-operated (corded) power tool or BATTERY-operated (cordless) power tool.

Work area safety

1. **Keep work area clean and well lit.** Cluttered or dark areas invite accidents.
2. **Do not operate power tools in explosive atmospheres, such as in the presence of flammable liquids, gases or dust.** Power tools create sparks which may ignite the dust or fumes.
3. **Keep children and bystanders away while operating a power tool.** Distractions can cause you to lose control.

Electrical Safety

1. **Power tool plugs must match the outlet. Never modify the plug in any way. Do not use any adapter plugs with earthed (grounded) power tools.** Unmodified plugs and matching outlets will reduce risk of electric shock.
2. **Avoid body contact with earthed or grounded surfaces, such as pipes, radiators, ranges and refrigerators.** There is an increased risk of electric shock if your body is earthed or grounded.
3. **Do not expose power tools to rain or wet conditions.** Water entering a power tool will increase the risk of electric shock.
4. **Do not abuse the cord. Never use the cord for carrying, pulling or unplugging the power tool. Keep cord away from heat, oil, sharp edges or moving parts.** Damaged or entangled cords increase the risk of electric shock.
5. **When operating a power tool outdoors, use an extension cord suitable for outdoor use.** Use of a cord suitable for outdoor use reduces the risk of electric shock.
6. **If operating a power tool in a damp location is unavoidable, use a Residual Current Device (RCD) protected supply.** Use of an RCD reduces the risk of electric shock.

7. **Power tools can produce electromagnetic fields (EMF) that are not harmful to the user.** However, users of pacemakers and other similar medical devices should contact the maker of their device and/or doctor for advice before operating this power tool.
8. **Do not touch the power plug with wet hands.**
9. **If the cord is damaged, have it replaced by the manufacturer or his agent in order to avoid a safety hazard.**
3. **Disconnect the plug from the power source and/or remove the BATTERY pack, if detachable, from the power tool before making any adjustments, changing accessories, or storing power tools.** Such preventive safety measures reduce the risk of starting the power tool accidentally.
4. **Store idle power tools out of the reach of children and do not allow persons unfamiliar with the power tool or these instructions to operate the power tool.** Power tools are dangerous in the hands of untrained users.

Personal Safety

1. **Stay alert, watch what you are doing and use common sense when operating a power tool. Do not use a power tool while you are tired or under the influence of drugs, alcohol or medication.** A moment of inattention while operating power tools may result in serious personal injury.
2. **Use personal protective equipment. Always wear eye protection.** Protective equipment such as dust mask, non-skid safety shoes, hard hat, or hearing protection used for appropriate conditions will reduce personal injuries.
3. **Prevent unintentional starting. Ensure the switch is in the off-position before connecting to power source and/or BATTERY pack, picking up or carrying the tool.** Carrying power tools with your finger on the switch or energising power tools that have the switch on invites accidents.
4. **Remove any adjusting key or wrench before turning the power tool on.** A wrench or a key left attached to a rotating part of the power tool may result in personal injury.
5. **Do not overreach. Keep proper footing and balance at all times.** This enables better control of the power tool in unexpected situations.
6. **Dress properly. Do not wear loose clothing or jewellery. Keep your hair, clothing and gloves away from moving parts.** Loose clothes, jewellery or long hair can be caught in moving parts.
7. **If devices are provided for the connection of dust extraction and collection facilities, ensure these are connected and properly used.** Use of dust collection can reduce dust-related hazards.
8. **Do not let familiarity gained from frequent use of tools allow you to become complacent and ignore tool safety principles.** A careless action can cause severe injury within a fraction of a second.
9. **Always wear protective goggles to protect your eyes from injury when using power tools. The goggles must comply with ANSI Z87.1 in the USA.**
5. **Maintain power tools and accessories. Check for misalignment or binding of moving parts, breakage of parts and any other condition that may affect the power tool's operation. If damaged, have the power tool repaired before use.** Many accidents are caused by poorly maintained power tools.
6. **Keep cutting tools sharp and clean.** Properly maintained cutting tools with sharp cutting edges are less likely to bind and are easier to control.
7. **Use the power tool, accessories and tool bits etc. in accordance with these instructions, taking into account the working conditions and the work to be performed.** Use of the power tool for operations different from those intended could result in a hazardous situation.
8. **Keep handles and grasping surfaces dry, clean and free from oil and grease.** Slippery handles and grasping surfaces do not allow for safe handling and control of the tool in unexpected situations.
9. **When using the tool, do not wear cloth work gloves which may be entangled.** The entanglement of cloth work gloves in the moving parts may result in personal injury.

Service

1. **Have your power tool serviced by a qualified repair person using only identical replacement parts.** This will ensure that the safety of the power tool is maintained.
2. **Follow instruction for lubricating and changing accessories.**

To reduce the risk of electric shock, this equipment has a polarized plug (one blade is wider than the other). This plug will fit in a polarized outlet only one way. If the plug does not fit fully in the outlet, reverse the plug. If it still does not fit, contact a qualified electrician to install the proper outlet. Do not change the plug in any way.

VOLTAGE WARNING: Before connecting the tool to a power source (receptacle, outlet, etc.) be sure the voltage supplied is the same as that specified on the nameplate of the tool. A power source with voltage greater than that specified for the tool can result in **SERIOUS INJURY** to the user- as well as damage to the tool. If in doubt, **DO NOT PLUG IN THE TOOL.** Using a power source with voltage less than the nameplate rating is harmful to the motor.

USE PROPER EXTENSION CORD. Make sure your extension cord is in good condition. When using an extension cord, be sure to use one heavy enough to carry the current your product will draw. An undersized cord will cause a drop in line voltage resulting in loss of power and overheating. Table 1 shows the correct size to use depending on cord length and nameplate ampere rating. If in doubt, use the next heavier gage. The smaller the gage number, the heavier the cord.

It is an employer's responsibility to enforce the use of appropriate safety protective equipment by the tool operators and by other persons in the immediate working area.

Power tool use and care

1. **Do not force the power tool. Use the correct power tool for your application.** The correct power tool will do the job better and safer at the rate for which it was designed.
2. **Do not use the power tool if the switch does not turn it on and off.** Any power tool that cannot be controlled with the switch is dangerous and must be repaired.

Table 1: Minimum gage for cord

Ampere Rating		Volts		Total length of cord in feet			
		120V		25 ft.	50 ft.	100 ft.	150 ft.
		220V - 240V		50 ft.	100 ft.	200 ft.	300 ft.
More Than	Not More Than	AWG					
0 A	6 A	-	18	16	16	14	
6 A	10 A		18	16	14	12	
10 A	12 A		16	16	14	12	
12 A	16 A		14	12	Not Recommended		

Grinder safety warnings

Safety warnings common for grinding, sanding, wire brushing, or cutting-off operations:

- This power tool is intended to function as a grinder, sander, wire brush, hole cutter or cut-off tool. Read all safety warnings, instructions, illustrations and specifications provided with this power tool.** Failure to follow all instructions listed below may result in electric shock, fire and/or serious injury.
- Operations such as polishing are not to be performed with this power tool.** Operations for which the power tool was not designed may create a hazard and cause personal injury.
- Do not convert this power tool to operate in a way which is not specifically designed and specified by the tool manufacturer.** Such a conversion may result in a loss of control and cause serious personal injury.
- Do not use accessories which are not specifically designed and specified by the tool manufacturer.** Just because the accessory can be attached to your power tool, it does not assure safe operation.
- The rated speed of the accessory must be at least equal to the maximum speed marked on the power tool.** Accessories running faster than their rated speed can break and fly apart.
- The outside diameter and the thickness of your accessory must be within the capacity rating of your power tool.** Incorrectly sized accessories cannot be adequately guarded or controlled.
- The dimensions of the accessory mounting must fit the dimensions of the mounting hardware of the power tool.** Accessories that do not match the mounting hardware of the power tool will run out of balance, vibrate excessively and may cause loss of control.
- Do not use a damaged accessory. Before each use inspect the accessory such as abrasive wheels for chips and cracks, backing pad for cracks, tear or excess wear, wire brush for loose or cracked wires. If power tool or accessory is dropped, inspect for damage or install an undamaged accessory. After inspecting and installing an accessory, position yourself and bystanders away from the plane of the rotating accessory and run the power tool at maximum no-load speed for one minute.** Damaged accessories will normally break apart during this test time.

- Wear personal protective equipment. Depending on application, use face shield, safety goggles or safety glasses. As appropriate, wear dust mask, hearing protectors, gloves and workshop apron capable of stopping small abrasive or workpiece fragments.** The eye protection must be capable of stopping flying debris generated by various applications. The dust mask or respirator must be capable of filtering particles generated by the particular application. Prolonged exposure to high intensity noise may cause hearing loss.
- Keep bystanders a safe distance away from work area. Anyone entering the work area must wear personal protective equipment.** Fragments of workpiece or of a broken accessory may fly away and cause injury beyond immediate area of operation.
- Hold the power tool by insulated gripping surfaces only, when performing an operation where the cutting accessory may contact hidden wiring or its own cord.** Cutting accessory contacting a "live" wire may make exposed metal parts of the power tool "live" and could give the operator an electric shock.
- Position the cord clear of the spinning accessory.** If you lose control, the cord may be cut or snagged and your hand or arm may be pulled into the spinning accessory.
- Never lay the power tool down until the accessory has come to a complete stop.** The spinning accessory may grab the surface and pull the power tool out of your control.
- Do not run the power tool while carrying it at your side.** Accidental contact with the spinning accessory could snag your clothing, pulling the accessory into your body.
- Regularly clean the power tool's air vents.** The motor's fan will draw the dust inside the housing and excessive accumulation of powdered metal may cause electrical hazards.
- Do not operate the power tool near flammable materials.** Sparks could ignite these materials.
- Do not use accessories that require liquid coolants.** Using water or other liquid coolants may result in electrocution or shock.

Kickback and related warnings:

Kickback is a sudden reaction to a pinched or snagged rotating wheel, backing pad, brush or any other accessory. Pinching or snagging causes rapid stalling of the rotating accessory which in turn causes the uncontrolled power tool to be forced in the direction opposite of the accessory's rotation at the point of the binding.

For example, if an abrasive wheel is snagged or pinched by the workpiece, the edge of the wheel that is entering into the pinch point can dig into the surface of the material causing the wheel to climb out or kick out. The wheel may either jump toward or away from the operator, depending on direction of the wheel's movement at the point of pinching. Abrasive wheels may also break under these conditions.

Kickback is the result of power tool misuse and/or incorrect operating procedures or conditions and can be avoided by taking proper precautions as given below.

1. **Maintain a firm grip with both hands on the power tool and position your body and arms to allow you to resist kickback forces. Always use auxiliary handle, if provided, for maximum control over kickback or torque reaction during start-up.** The operator can control torque reactions or kickback forces, if proper precautions are taken.
2. **Never place your hand near the rotating accessory.** Accessory may kickback over your hand.
3. **Do not position your body in the area where power tool will move if kickback occurs.** Kickback will propel the tool in direction opposite to the wheel's movement at the point of snagging.
4. **Use special care when working corners, sharp edges, etc. Avoid bouncing and snagging the accessory.** Corners, sharp edges or bouncing have a tendency to snag the rotating accessory and cause loss of control or kickback.
5. **Do not attach a saw chain woodcarving blade, segmented diamond wheel with a peripheral gap greater than 10 mm or toothed saw blade.** Such blades create frequent kickback and loss of control.

Safety warnings specific for grinding and cutting-off operations:

1. **Use only wheel types that are specified for your power tool and the specific guard designed for the selected wheel.** Wheels for which the power tool was not designed cannot be adequately guarded and are unsafe.
2. **The grinding surface of centre depressed wheels must be mounted below the plane of the guard lip.** An improperly mounted wheel that projects through the plane of the guard lip cannot be adequately protected.
3. **The guard must be securely attached to the power tool and positioned for maximum safety, so the least amount of wheel is exposed towards the operator.** The guard helps to protect the operator from broken wheel fragments, accidental contact with wheel and sparks that could ignite clothing.
4. **Wheels must be used only for specified applications. For example: do not grind with the side of cut-off wheel.** Abrasive cut-off wheels are intended for peripheral grinding, side forces applied to these wheels may cause them to shatter.
5. **Always use undamaged wheel flanges that are of correct size and shape for your selected wheel.** Proper wheel flanges support the wheel thus reducing the possibility of wheel breakage. Flanges for cut-off wheels may be different from grinding wheel flanges.

6. **Do not use worn down wheels from larger power tools.** A wheel intended for larger power tool is not suitable for the higher speed of a smaller tool and may burst.
7. **When using dual purpose wheels always use the correct guard for the application being performed.** Failure to use the correct guard may not provide the desired level of guarding, which could lead to serious injury.

Additional safety warnings specific for cutting-off operations:

1. **Do not "jam" the cut-off wheel or apply excessive pressure. Do not attempt to make an excessive depth of cut.** Overstressing the wheel increases the loading and susceptibility to twisting or binding of the wheel in the cut and the possibility of kickback or wheel breakage.
2. **Do not position your body in line with and behind the rotating wheel.** When the wheel, at the point of operation, is moving away from your body, the possible kickback may propel the spinning wheel and the power tool directly at you.
3. **When the wheel is binding or when interrupting a cut for any reason, switch off the power tool and hold it motionless until the wheel comes to a complete stop. Never attempt to remove the cut-off wheel from the cut while the wheel is in motion otherwise kickback may occur.** Investigate and take corrective action to eliminate the cause of wheel binding.
4. **Do not restart the cutting operation in the workpiece. Let the wheel reach full speed and carefully re-enter the cut.** The wheel may bind, walk up or kickback if the power tool is restarted in the workpiece.
5. **Support panels or any oversized workpiece to minimize the risk of wheel pinching and kickback.** Large workpieces tend to sag under their own weight. Supports must be placed under the workpiece near the line of cut and near the edge of the workpiece on both sides of the wheel.
6. **Use extra caution when making a "pocket cut" into existing walls or other blind areas.** The protruding wheel may cut gas or water pipes, electrical wiring or objects that can cause kickback.
7. **Do not attempt to do curved cutting.** Overstressing the wheel increases the loading and susceptibility to twisting or binding of the wheel in the cut and the possibility of kickback or wheel breakage, which can lead to serious injury.
8. **Before using a segmented diamond wheel, make sure that the diamond wheel has the peripheral gap between segments of 10 mm or less, only with a negative rake angle.**

Safety warnings specific for sanding operations:

1. **Use proper sized sanding disc paper. Follow manufacturers recommendations, when selecting sanding paper.** Larger sanding paper extending too far beyond the sanding pad presents a laceration hazard and may cause snagging, tearing of the disc or kickback.

Safety warnings specific for wire brushing operations:

1. **Be aware that wire bristles are thrown by the brush even during ordinary operation. Do not overstress the wires by applying excessive load to the brush.** The wire bristles can easily penetrate light clothing and/or skin.
2. **If the use of a guard is specified for wire brushing, do not allow any interference of the wire wheel or brush with the guard.** Wire wheel or brush may expand in diameter due to work load and centrifugal forces.

Additional Safety Warnings:

1. **When using depressed centre grinding wheels, be sure to use only fiberglass-reinforced wheels.**
2. **NEVER USE Stone Cup type wheels with this grinder.** This grinder is not designed for these types of wheels and the use of such a product may result in serious personal injury.
3. **Be careful not to damage the spindle, the flange (especially the installing surface) or the lock nut.** Damage to these parts could result in wheel breakage.
4. **Make sure the wheel is not contacting the workpiece before the switch is turned on.**
5. **Before using the tool on an actual workpiece, let it run for a while. Watch for vibration or wobbling that could indicate poor installation or a poorly balanced wheel.**
6. **Use the specified surface of the wheel to perform the grinding.**
7. **Do not leave the tool running. Operate the tool only when hand-held.**
8. **Do not touch the workpiece immediately after operation; it may be extremely hot and could burn your skin.**
9. **Do not touch accessories immediately after operation; it may be extremely hot and could burn your skin.**
10. **Observe the instructions of the manufacturer for correct mounting and use of wheels. Handle and store wheels with care.**
11. **Do not use separate reducing bushings or adaptors to adapt large hole abrasive wheels.**
12. **Use only flanges specified for this tool.**
13. **For tools intended to be fitted with threaded hole wheel, ensure that the thread in the wheel is long enough to accept the spindle length.**
14. **Check that the workpiece is properly supported.**
15. **Pay attention that the wheel continues to rotate after the tool is switched off.**
16. **If working place is extremely hot and humid, or badly polluted by conductive dust, use a short-circuit breaker (30 mA) to assure operator safety.**
17. **Do not use the tool on any materials containing asbestos.**
18. **When use cut-off wheel, always work with the dust collecting wheel guard if required by domestic regulation.**


19. **Cutting discs must not be subjected to any lateral pressure.**
20. **Do not use cloth work gloves during operation.** Fibers from cloth gloves may enter the tool, which causes tool breakage.
21. **Before operation, make sure that there is no buried object such as electric pipe, water pipe or gas pipe in the workpiece.** Otherwise, it may cause an electric shock, electrical leakage or gas leak.
22. **If a blotter is attached to the wheel, do not remove it. The diameter of the blotter must be larger than the lock nut, outer flange, and inner flange.**
23. **Before installing a grinding wheel, always check that the blotter part does not have any abnormalities such as chips or cracks.**
24. **Tighten the lock nut properly.** Overtightening the wheel can cause breakage and insufficient tightening can cause fluttering.

SAVE THESE INSTRUCTIONS.

⚠ WARNING: DO NOT let comfort or familiarity with product (gained from repeated use) replace strict adherence to safety rules for the subject product. MISUSE or failure to follow the safety rules stated in this instruction manual may cause serious personal injury.

Symbols

The followings show the symbols used for tool.

V	volts
A	amperes
Hz	hertz
~	alternating current
⎓	alternating or direct current
n ₀	no load speed
	Class II Construction
... /min r /min	revolutions or reciprocation per minute
∅	diameter

FUNCTIONAL DESCRIPTION

CAUTION: Always be sure that the tool is switched off and unplugged before adjusting or checking function on the tool.

Tool protection system

The tool is equipped with a tool protection system. This system automatically reduces or cuts off power to the motor to extend tool life. The tool will automatically reduce power or stop during operation if the tool is placed under one of the following conditions:

Overload protection

When the tool is operated in a manner that causes it to draw an abnormally high current, the tool reduces power automatically without any indication. In this situation, remove the cause of the overload so that the rotation speed recovered.

Overheat protection

Country specific

When the tool is overheated, the tool stops automatically and the indication lamp blinks in red. In this situation, let the tool cool down. You can turn the tool on again after the lamp changes the color from red to green.

Indication lamp

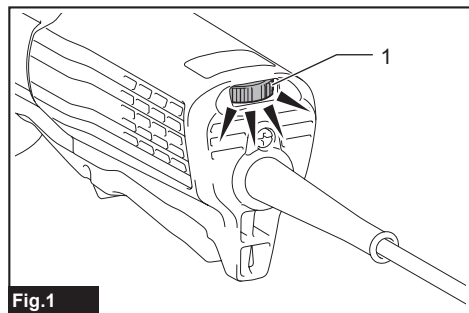


Fig.1

► 1. Indication lamp

The indication lamp lights up green when the tool is plugged.
If the indication lamp blinks in red, the overheat protection, Active Feedback sensing Technology, or the accidental re-start preventive function stops operation. In this situation, switch off the tool. Then, turn the tool on to restart.
If the indication lamp lights up in red after switch off the tool, the tool is overheated. In this situation, cool down the tool and wait until the indication lamp lights up in green.

Speed adjusting dial

Only for model GA4593 / GA5093

CAUTION: If the tool is operated continuously at low speeds for a long time, the motor will get overloaded and heated up.

CAUTION: The speed adjusting dial can be turned only as far as 5 and back to 1. Do not force it past 5 or 1, or the speed adjusting function may no longer work.

The rotating speed can be changed by turning the speed adjusting dial to a given number setting from 1 to 5. Higher speed is obtained when the dial is turned in the direction of number 5. And lower speed is obtained when it is turned in the direction of number 1. Refer to the below table for the relationship between the number settings on the dial and the approximate rotating speed.

Number	Rated speed
1	2,800 min ⁻¹ (/min)
2	4,500 min ⁻¹ (/min)
3	6,500 min ⁻¹ (/min)
4	8,000 min ⁻¹ (/min)
5	11,500 min ⁻¹ (/min)

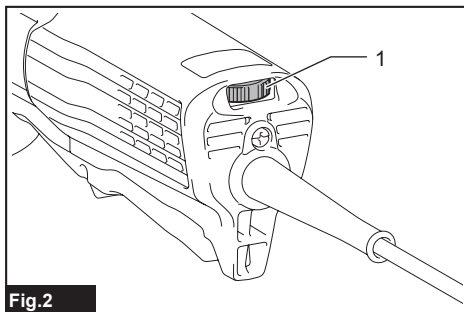


Fig.2

► 1. Speed adjusting dial

Shaft lock

WARNING: Never actuate the shaft lock when the spindle is moving. It may cause serious injury or the tool damage.

Press the shaft lock to prevent spindle rotation when installing or removing accessories.

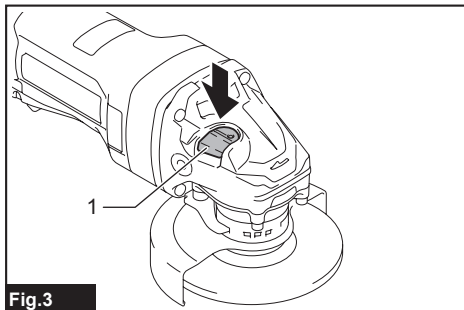


Fig.3

► 1. Shaft lock

Switch action

⚠ CAUTION: Before plugging in the tool, always check to see that the switch lever actuates properly and returns to the "OFF" position when released.

⚠ CAUTION: For your safety, this tool is equipped with lock-off lever which prevents the tool from unintended starting. NEVER use the tool if it runs when you simply pull the switch lever without pulling the lock-off lever. Return the tool to our authorized service center for proper repairs BEFORE further usage.

⚠ CAUTION: Do not pull the switch lever hard without pulling the lock-off lever. This can cause switch breakage.

⚠ CAUTION: NEVER tape down or defeat purpose and function of lock-off lever.

To prevent the switch lever from being accidentally pulled, a lock-off lever is provided.
To start the tool, pull the lock-off lever toward the operator and then pull the switch lever.
To stop the tool, release the switch lever.

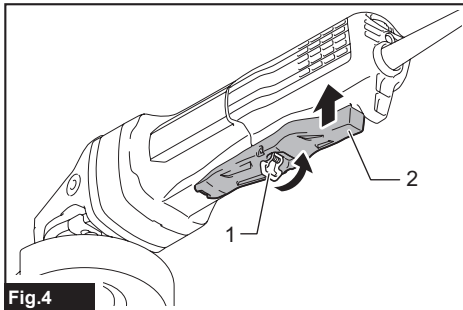


Fig.4

► 1. Lock-off lever 2. Switch lever

Electronic function

Active Feedback sensing Technology

⚠ CAUTION: Hold the tool firmly until the rotation stops.

The tool electronically detects situations where the wheel or accessory may be at risk to be bound. In such situation, the tool automatically shuts off the power to prevent further rotation of the spindle (this does not prevent kickback).

At this time, the indication lamp blinks in red and shows the Active Feedback sensing Technology is working. To restart the tool, switch off the tool first, remove the cause of sudden drop in the rotation speed, and then turn the tool on.

Accidental re-start preventive function

When plugging in the tool while the switch is ON, the tool does not start.

At this time, the indication lamp blinks in red and shows that the accidental re-start preventive function works. To start the tool, turn off the switch, and turn it on again.

Constant speed control

Possible to get fine finish, because the rotating speed is kept constant even under the loaded condition.

Soft start feature

Soft start feature reduces starting reaction.

Mechanical brake

Only for model GA4593 / GA4594 / GA5093 / GA5094

Mechanical brake is activated after the tool is switched off.

The brake does not work when the power supply is shut down with the switch still on.

ASSEMBLY

⚠ CAUTION: Always be sure that the tool is switched off and unplugged before carrying out any work on the tool.

Installing side grip (handle)

⚠ CAUTION: Always be sure that the side grip is installed securely before operation.

Screw the side grip securely on the position of the tool as shown in the figure.

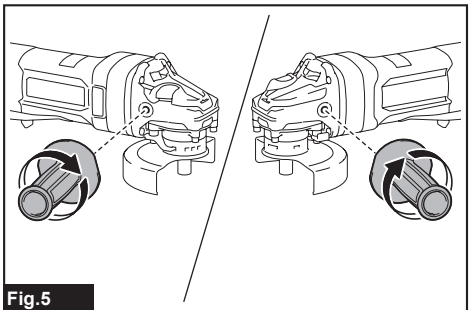


Fig.5

Installing or removing wheel guard

⚠ WARNING: When using a depressed center wheel, flap disc, flex wheel or wire wheel brush, the wheel guard must be fitted on the tool so that the closed side of the guard always points toward the operator.

⚠ WARNING: Make sure that the wheel guard is securely locked by the lock lever with one of the holes on the wheel guard.

⚠ WARNING: When using an abrasive cut-off / diamond wheel, be sure to use only the special wheel guard designed for use with cut-off wheels.

For depressed center wheel, flap disc, flex wheel, wire wheel brush / abrasive cut-off wheel, diamond wheel

1. While pushing the lock lever, mount the wheel guard with the protrusions on the wheel guard aligned with the notches on the bearing box.

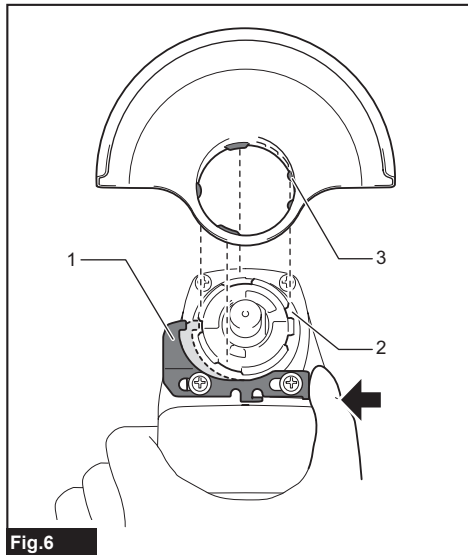


Fig. 6

► 1. Lock lever 2. Notch 3. Protrusion

2. While pushing the lock lever toward A, hold down the portions B of the wheel guard as shown in the figure.

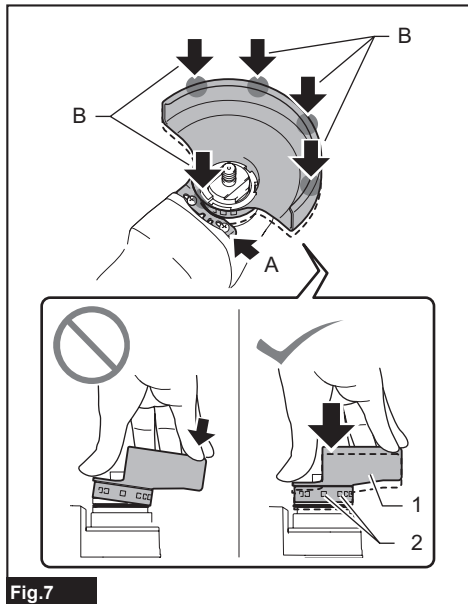


Fig. 7

► 1. Wheel guard 2. Hole

NOTE: Push down the wheel guard straight. Otherwise, you cannot secure the wheel guard.

3. While pushing the lock lever toward A, rotate the wheel guard toward C, and then, change the angle of the wheel guard according to the work so that the operator can be protected. Align the lock lever with one of the holes in the wheel guard, and then release the lock lever to lock the wheel guard.

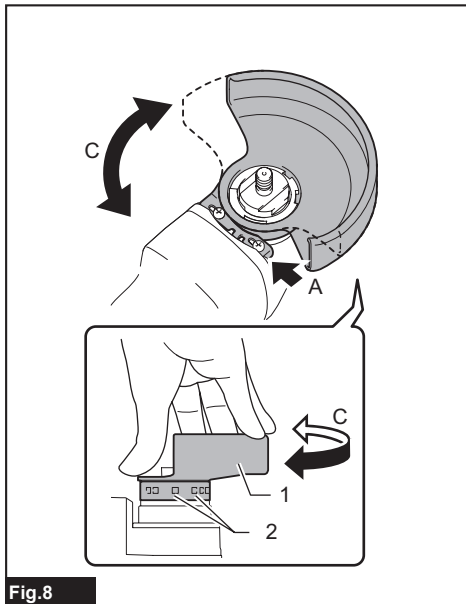


Fig. 8

► 1. Wheel guard 2. Hole

To remove wheel guard, follow the installation procedure in reverse.

Clip-on cutting wheel guard attachment

Optional accessory

NOTE: For cutting-off operations, a clip-on cutting wheel guard attachment can be used with the wheel guard (for grinding wheel).

Not available in some countries.

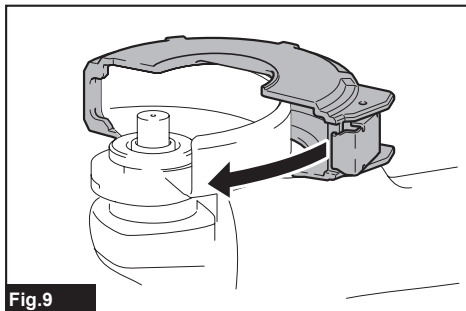


Fig. 9

Installing or removing depressed center wheel or flap disc

Optional accessory

⚠ WARNING: When using a depressed center wheel or flap disc, the wheel guard must be fitted on the tool so that the closed side of the guard always points toward the operator.

⚠ WARNING: Make sure that the mounting part of the inner flange fits into the inner diameter of the depressed center wheel / flap disc perfectly. Mounting the inner flange on the wrong side may result in the dangerous vibration.

Mount the inner flange onto the spindle. Make sure to fit the dented part of the inner flange onto the straight part at the bottom of the spindle. Fit the depressed center wheel / flap disc on the inner flange and screw the lock nut onto the spindle.

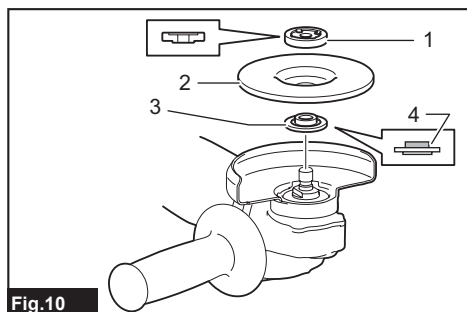


Fig.10

- 1. Lock nut 2. Depressed center wheel 3. Inner flange 4. Mounting part

To tighten the lock nut, press the shaft lock firmly so that the spindle cannot revolve, then use the lock nut wrench and securely tighten clockwise.

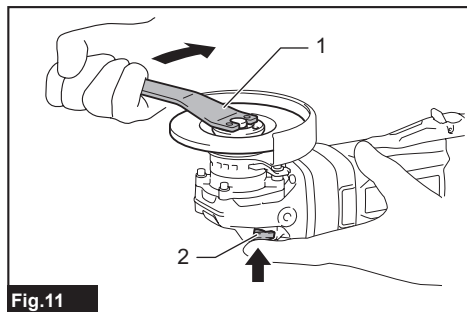


Fig.11

- 1. Lock nut wrench 2. Shaft lock

To remove the wheel, follow the installation procedure in reverse.

Installing or removing flex wheel

Optional accessory

⚠ WARNING: Always use supplied guard when flex wheel is on the tool. Wheel can shatter during use and guard helps to reduce chances of personal injury.

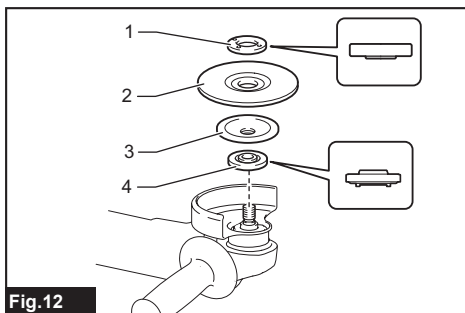


Fig.12

- 1. Lock nut 2. Flex wheel 3. Back up pad 4. Inner flange

Follow instructions for depressed center wheel but also use back up pad over wheel.

Installing or removing abrasive disc

Optional accessory

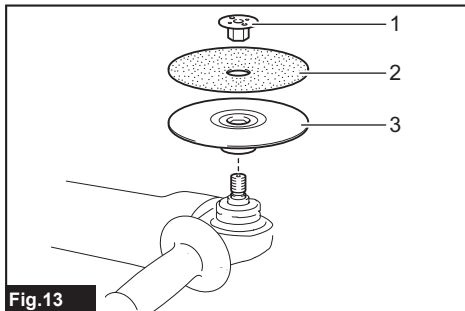


Fig.13

- 1. Sanding lock nut 2. Abrasive disc 3. Rubber pad

1. Mount the rubber pad onto the spindle.
2. Fit the disc on the rubber pad and screw the sanding lock nut onto the spindle.
3. Hold the spindle with the shaft lock, and securely tighten the sanding lock nut clockwise with the lock nut wrench.

To remove the disc, follow the installation procedure in reverse.

NOTE: Use sander accessories specified in this manual. These must be purchased separately.

Installing abrasive cut-off / diamond wheel

Optional accessory

⚠ WARNING: When using an abrasive cut-off / diamond wheel, be sure to use only the special wheel guard designed for use with cut-off wheels.

⚠ WARNING: NEVER use cut-off wheel for side grinding.

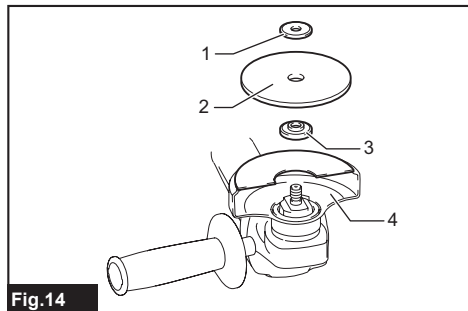


Fig.14

- 1. Lock nut 2. Abrasive cut-off wheel / diamond wheel 3. Inner flange 4. Wheel guard for abrasive cut-off wheel / diamond wheel

As for the installation, follow the instructions for depressed center wheel.
The direction for mounting the lock nut and the inner flange varies by wheel type and thickness.
Refer to the following figures.

When installing the abrasive cut-off wheel:

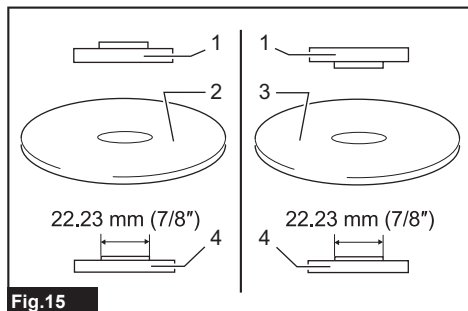


Fig.15

- 1. Lock nut 2. Abrasive cut-off wheel (Thinner than 4 mm (5/32")) 3. Abrasive cut-off wheel (4 mm (5/32") or thicker) 4. Inner flange

When installing the diamond wheel:

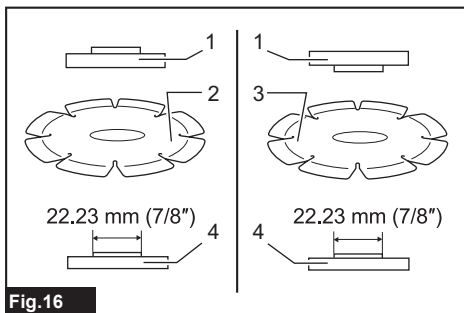


Fig.16

- 1. Lock nut 2. Diamond wheel (Thinner than 4 mm (5/32")) 3. Diamond wheel (4 mm (5/32") or thicker) 4. Inner flange

Installing wire cup brush

Optional accessory

⚠ CAUTION: Do not use brush that is damaged, or which is out of balance. Use of damaged brush could increase potential for injury from contact with broken brush wires.

Place the tool upside down to allow easy access to the spindle.

Remove any accessories on spindle. Thread wire cup brush onto spindle and tighten with supplied wrench.

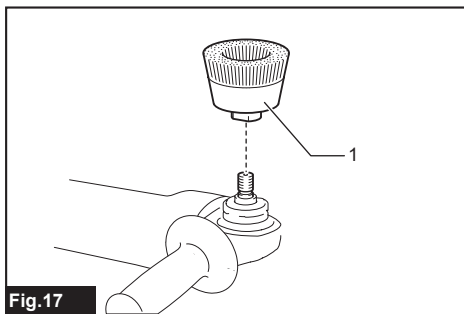


Fig.17

- 1. Wire cup brush

Installing wire wheel brush

Optional accessory

CAUTION: Do not use wire wheel brush that is damaged, or which is out of balance. Use of damaged wire wheel brush could increase potential for injury from contact with broken wires.

CAUTION: ALWAYS use guard with wire wheel brushes, assuring diameter of wheel fits inside guard. Wheel can shatter during use and guard helps to reduce chances of personal injury.

Place the tool upside down to allow easy access to the spindle.

Remove any accessories on spindle. Thread wire wheel brush onto spindle and tighten with the wrenches.

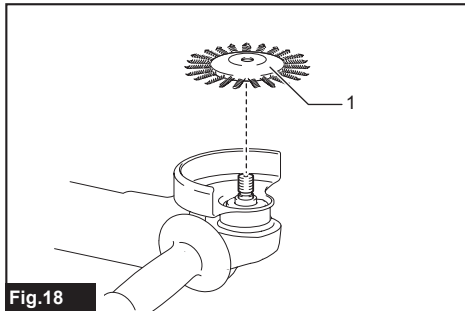


Fig.18

► 1. Wire wheel brush

Installing hole cutter

Optional accessory

Place the tool upside down to allow easy access to the spindle.

Remove any accessories on the spindle. Thread the hole cutter onto the spindle, and tighten it with the supplied wrench.

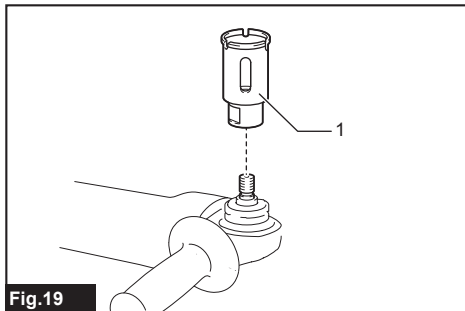


Fig.19

► 1. Hole cutter

Installing dust collecting wheel guard for grinding

Optional accessory

With optional accessories, you can use this tool for planing concrete surface.

CAUTION: Dust collecting wheel guard for grinding is only for use in planing concrete surface with a cup-type diamond wheel. Do not use this guard with any other cutting accessory or for any other purpose.

CAUTION: Before operation, make sure that a vacuum cleaner is connected to the tool and turned on.

Place the tool upside down and install the dust collecting wheel guard.

Mount the inner flange onto the spindle.

Fit the cup-type diamond wheel on the inner flange and tighten the lock nut onto the spindle.

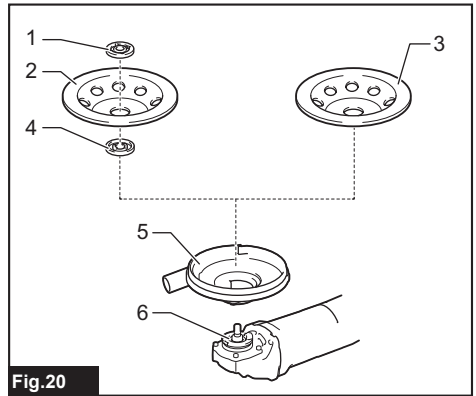


Fig.20

► 1. Lock nut 2. Cup-type diamond wheel 3. Hubbed cup-type diamond wheel 4. Inner flange 5. Dust collecting wheel guard 6. Bearing box

NOTE: For information how to install the dust collecting wheel guard, refer to the manual of the dust collecting wheel guard.

Installing dust collecting wheel guard for cutting-off

Optional accessory

With optional accessories, you can use this tool for cutting stone materials.

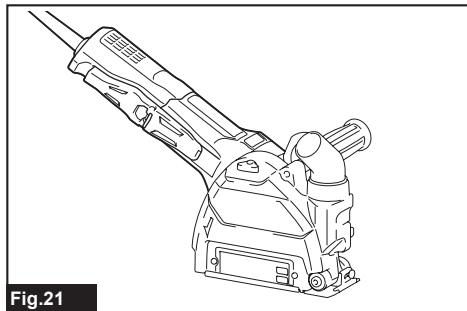


Fig.21

NOTE: For information how to install the dust collecting wheel guard, refer to the manual of the dust collecting wheel guard.

Connecting a vacuum cleaner

Optional accessory

⚠WARNING: Never vacuum metal particles created by grinding/cutting/sanding operation. Metal particles created by such operation are so hot that they ignite dust and the filter inside the vacuum cleaner.

To avoid dusty environment caused by masonry cutting, use a dust collecting wheel guard and a vacuum cleaner.

Refer to the instruction manual attached to the dust collecting wheel guard for assembling and using it.

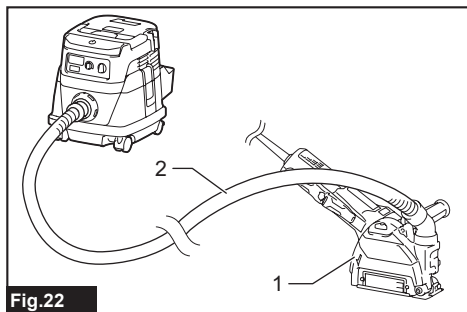


Fig.22

▶ 1. Dust collecting wheel guard 2. Hose of the vacuum cleaner

Installing or removing dust cover attachment

Optional accessory

⚠CAUTION: Always be sure that the tool is switched off and unplugged before installing or removing the dust cover attachment. Failure to do so causes damage to the tool or a personal injury.

Install the dust cover attachment to each specified position.

For details, refer to the instruction manual of the dust cover attachment.

NOTICE: Clean out the dust cover attachment when it is clogged with dust or foreign matters. Continuing operation with a clogged dust cover attachment will damage the tool.

OPERATION

⚠WARNING: It should never be necessary to force the tool. The weight of the tool applies adequate pressure. Forcing and excessive pressure could cause dangerous wheel breakage.

⚠WARNING: ALWAYS replace wheel if tool is dropped while grinding.

⚠WARNING: NEVER hit the workpiece with the wheel.

⚠WARNING: Avoid bouncing and snagging the wheel, especially when working corners, sharp edges etc. This can cause loss of control and kickback.

⚠WARNING: NEVER use tool with wood cutting blades and other saw blades. Such blades when used on a grinder frequently kick and cause loss of control leading to personal injury.

⚠WARNING: Continued use of a worn-out wheel may result in wheel explosion and serious personal injury.

⚠CAUTION: Never switch on the tool when it is in contact with the workpiece, it may cause an injury to operator.

⚠CAUTION: Always wear safety goggles or a face shield during operation.

⚠CAUTION: After operation, always switch off the tool and wait until the wheel has come to a complete stop before putting the tool down.

⚠CAUTION: ALWAYS hold the tool firmly with one hand on housing and the other on the side grip (handle).

NOTE: A dual purpose wheel can be used for both grinding and cutting-off operations.

Refer to the "Operation with wheel/disc" for grinding operation, and refer to the "Operation with abrasive cut-off / diamond wheel" for cutting-off operation.

Operation with wheel/disc

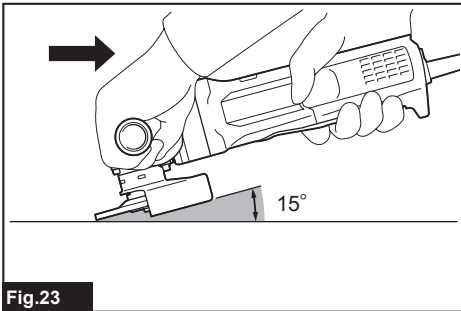


Fig.23

Turn the tool on and then apply the wheel or disc to the workpiece.

In general, keep the edge of the wheel or disc at an angle of about 15° to the workpiece surface. During the break-in period with a new wheel, do not work the grinder in forward direction or it may cut into the workpiece. Once the edge of the wheel has been rounded off by use, the wheel may be worked in both forward and backward direction.

Operation with abrasive cut-off / diamond wheel

Optional accessory

⚠ WARNING: Do not "jam" the wheel or apply excessive pressure. Do not attempt to make an excessive depth of cut. Overstressing the wheel increases the loading and susceptibility to twisting or binding of the wheel in the cut and the possibility of kickback, wheel breakage and overheating of the motor may occur.

⚠ WARNING: Do not start the cutting operation in the workpiece. Let the wheel reach full speed and carefully enter into the cut moving the tool forward over the workpiece surface. The wheel may bind, walk up or kickback if the power tool is started in the workpiece.

⚠ WARNING: During cutting operations, never change the angle of the wheel. Placing side pressure on the cut-off wheel (as in grinding) will cause the wheel to crack and break, causing serious personal injury.

⚠ WARNING: A diamond wheel shall be operated perpendicular to the material being cut.

Usage example: operation with abrasive cut-off wheel

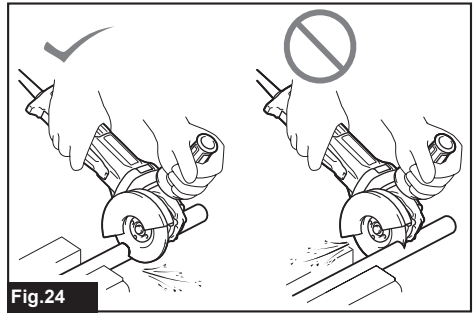


Fig.24

Usage example: operation with diamond wheel

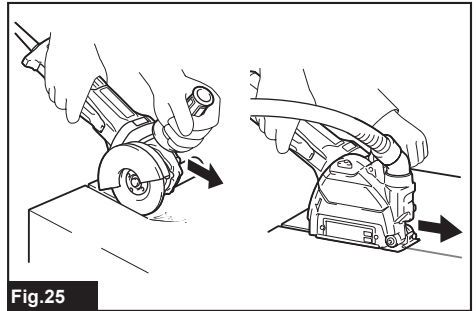


Fig.25

Operation with wire cup brush

Optional accessory

⚠ CAUTION: Check operation of brush by running tool with no load, insuring that no one is in front of or in line with brush.

Usage example: operation with wire cup brush

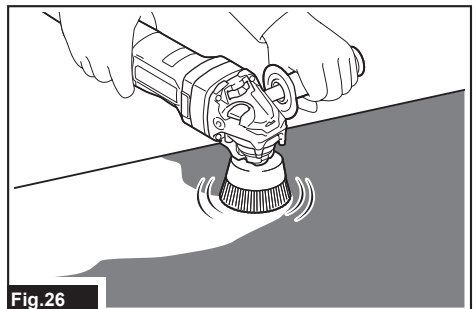


Fig.26

NOTICE: Avoid applying too much pressure which causes over bending of wires when using brush. It may lead to premature breakage.

Operation with wire wheel brush

Optional accessory

CAUTION: Check operation of wire wheel brush by running tool with no load, insuring that no one is in front of or in line with the wire wheel brush.

Usage example: operation with wire wheel brush

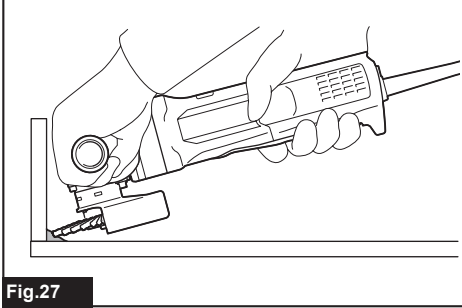


Fig.27

NOTICE: Avoid applying too much pressure which causes over bending of wires when using wire wheel brush. It may lead to premature breakage.

Operation with hole cutter

Optional accessory

CAUTION: Check operation of the hole cutter by running the tool with no load, insuring that no one is in front of the hole cutter.

NOTICE: Do not tilt the tool during operation. It may lead to premature breakage.

Usage example: operation with hole cutter



Fig.28

MAINTENANCE

CAUTION: Always be sure that the tool is switched off and unplugged before attempting to perform inspection or maintenance.

NOTICE: Never use gasoline, benzine, thinner, alcohol or the like. Discoloration, deformation or cracks may result.

To maintain product SAFETY and RELIABILITY, repairs, any other maintenance or adjustment should be performed by Makita Authorized or Factory Service Centers, always using Makita replacement parts.

Air vent cleaning

The tool and its air vents have to be kept clean. Regularly clean the tool's air vents or whenever the vents start to become obstructed.

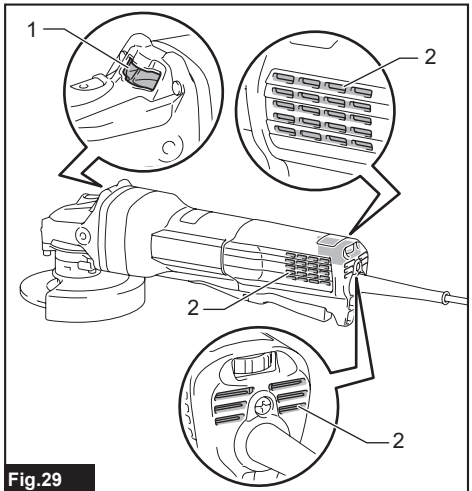


Fig.29

► 1. Exhaust vent 2. Inhalation vent

COMBINATION OF APPLICATIONS AND ACCESSORIES

Optional accessory

CAUTION: Using the tool with incorrect guards can cause risks as follows.

- When using a cut-off wheel guard for facial grinding, the wheel guard may interfere with the workpiece causing poor control.
- When using a grinding wheel guard for cutting-off operations with bonded abrasive wheels and diamond wheels, there is an increased risk of exposure to rotating wheels, emitted sparks and particles, as well as exposure to wheel fragments in the event of wheel burst.
- When using a cut-off wheel guard or grinding wheel guard for facial operations with cup-type diamond wheels, the wheel guard may interfere with the workpiece causing poor control.
- When using a cut-off wheel guard or grinding wheel guard with a wheel-type wire brush with a thickness greater than the maximum thickness as specified in "SPECIFICATIONS", the wires may catch on the guard leading to breaking of wires.
- Use of dust collecting wheel guards for cutting-off and facial operations in concrete or masonry reduces a risk of exposure to dust.
- When using dual purpose (combined grinding and cutting-off abrasive) flange mounted wheels, only use a cut-off wheel guard.

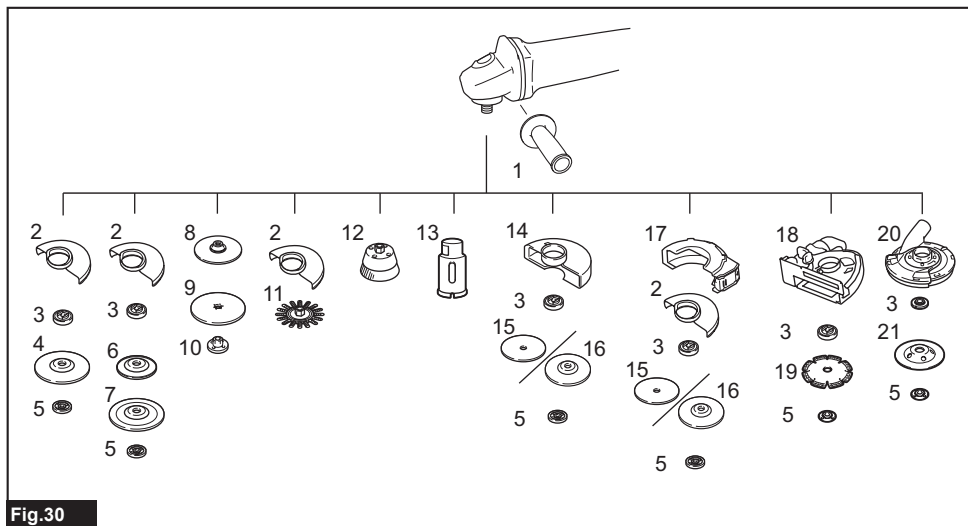


Fig.30

-	Application	115 mm (4-1/2") model	125 mm (5") model
1	-	Side grip	
2	-	Wheel guard (for grinding wheel)	
3	-	Inner flange	
4	Grinding / Sanding	Depressed center wheel / Flap disc	
5	-	Lock nut	
6	-	Back up pad	
7	Grinding / Sanding	Flex wheel	
8	-	Rubber pad 100	Rubber pad 115
9	Sanding	Abrasive disc	
10	-	Sanding lock nut	
11	Wire brushing	Wire wheel brush	
12	Wire brushing	Wire cup brush	
13	Hole cutting	Hole cutter	

	Application	115 mm (4-1/2") model	125 mm (5") model
14	-	Wheel guard (for cut-off wheel)	
15	Cutting-off	Abrasive cut-off wheel / Diamond wheel	
16	Grinding / Cutting-off	Dual purpose wheel	
17	-	Cutting wheel guard attachment	
18	-	Dust collecting wheel guard for cutting-off	
19	Cutting-off	Diamond wheel	
20	-	Dust collecting wheel guard for grinding	
21	Grinding	Cup-type diamond wheel	
-	-	Lock nut wrench	
-	-	Dust cover attachment	

NOTE: For other types of guards which can be connected to a vacuum cleaner, refer to each instruction manual of the guard.

OPTIONAL ACCESSORIES

⚠ CAUTION: These accessories or attachments are recommended for use with your Makita tool specified in this manual. The use of any other accessories or attachments might present a risk of injury to persons. Only use accessory or attachment for its stated purpose.

If you need any assistance for more details regarding these accessories, ask your local Makita Service Center.

- Accessories listed in "COMBINATION OF APPLICATIONS AND ACCESSORIES"

NOTE: Some items in the list may be included in the tool package as standard accessories. They may differ from country to country.

MAKITA LIMITED WARRANTY

Please refer to the annexed warranty sheet for the most current warranty terms applicable to this product. If annexed warranty sheet is not available, refer to the warranty details set forth at below website for your respective country.

United States of America: www.makitatools.com

Canada: www.makita.ca

Other countries: www.makita.com

SPÉCIFICATIONS

Modèle :		GA4593	GA4594	GA4595	GA5093	GA5094	GA5095
Meule applicable	Diamètre max. de meule	115 mm (4-1/2")		125 mm (5") *	125 mm (5")	125 mm (5") *	
	Épaisseur de meule max.	7,2 mm (9/32")					
Meule tronçonneuse applicable	Diamètre max. de meule	115 mm (4-1/2")		125 mm (5") *	125 mm (5")	125 mm (5") *	
	Épaisseur de meule max.	3,2 mm (1/8")					
Brosse métallique circulaire applicable	Diamètre max. de meule	115 mm (4-1/2")		125 mm (5") *	125 mm (5")	125 mm (5") *	
	Épaisseur de meule max.	20 mm (13/16")					
Filetage de l'arbre		M14 ou 5/8" (spécifique au pays)					
Longueur max. d'arbre		23 mm (29/32")					
Vitesse à vide (n ₀)/vitesse nominale (n)		11 500 /min					
Longueur totale		349 mm (13-3/4")		326 mm (12-7/8")	349 mm (13-3/4")		326 mm (12-7/8")
Poids net		2,8 - 4,0 kg (6,2 - 8,8 lbs)		2,6 - 3,8 kg (5,7 - 8,4 lbs)	2,9 - 4,0 kg (6,4 - 8,8 lbs)		2,7 - 3,8 kg (6,0 - 8,4 lbs)
Classe de sécurité		☐/II					

- Étant donné l'évolution constante de notre programme de recherche et de développement, les spécifications contenues dans ce manuel sont sujettes à modification sans préavis.
- Les spécifications peuvent varier suivant les pays.
- Le poids peut varier suivant les accessoires. La plus légère et la plus lourde des combinaisons, selon la procédure EPTA 01/2014, sont indiquées dans le tableau.

Spécifique au pays

* Si vous installez sur l'outil un protecteur de meule 4-1/2" en option, les meules de 115 mm (4-1/2") pourront être utilisées.

CONSIGNES DE SÉCURITÉ

Consignes de sécurité générales pour outils électriques

⚠ MISE EN GARDE : Veuillez lire toutes les mises en garde, instructions, illustrations et spécifications qui accompagnent cet outil électrique. Ne pas suivre toutes les instructions de la liste ci-dessous peut entraîner une décharge électrique, un incendie et/ou une grave blessure.

Conservez toutes les mises en garde et instructions pour référence future.

Le terme « outil électrique » qui figure dans les avertissements fait référence à un outil électrique branché sur une prise de courant (par un cordon d'alimentation) ou alimenté par batterie (sans fil).

Sécurité de la zone de travail

1. **Maintenez la zone de travail propre et bien éclairée.** Les zones de travail encombrées ou sombres ouvrent toute grande la porte aux accidents.
2. **N'utilisez pas les outils électriques dans les atmosphères explosives, telles que celles où sont présents des liquides, gaz ou poussières inflammables.** Les outils électriques génèrent des étincelles qui peuvent allumer les poussières ou les vapeurs.
3. **Gardez les enfants et personnes présentes à l'écart pendant l'utilisation d'un outil électrique.** Toute distraction peut vous faire perdre la maîtrise de l'outil.

Sécurité en matière d'électricité

1. **Les fiches d'outil électrique doivent correspondre à la prise de courant. Ne modifiez jamais la fiche, de quelque façon que ce soit. N'utilisez aucune fiche d'adaptation avec les outils électriques mis à la terre (à la masse).** Les fiches non modifiées et les prises de courant correspondantes réduisent le risque de décharge électrique.

2. **Évitez tout contact avec les surfaces mises à la terre ou à la masse, telles que celles des tuyaux, radiateurs, cuisinières et réfrigérateurs.** Le risque de décharge électrique augmente si votre corps est mis à la terre ou à la masse.
3. **N'exposez pas les outils électriques à la pluie ou à des surfaces mouillées.** La pénétration d'eau dans un outil électrique augmente le risque de décharge électrique.
4. **Ne maltraitez pas le cordon. N'utilisez jamais le cordon pour transporter, tirer sur ou débrancher l'outil électrique. Gardez le cordon à l'écart de la chaleur, de l'huile, des bords tranchants ou des pièces en mouvement.** Les cordons endommagés ou enchevêtrés augmentent le risque de décharge électrique.
5. **Lorsque vous utilisez un outil électrique à l'extérieur, faites-le avec un cordon prolongateur conçu pour l'usage extérieur.** Utiliser un cordon conçu pour l'usage extérieur réduit le risque de décharge électrique.
6. **Si l'utilisation d'un outil électrique dans un emplacement humide est inévitable, utilisez une source d'alimentation protégée par un disjoncteur différentiel de fuite à la terre (DDFT).** Utiliser un DDFT réduit le risque de décharge électrique.
7. **Les outils électriques peuvent produire des champs électromagnétiques (CEM) qui ne sont pas préjudiciables à l'utilisateur.** Les utilisateurs de stimulateur cardiaque ou autres appareils médicaux similaires doivent toutefois demander conseil au fabricant et/ou à leur médecin avant d'utiliser cet outil électrique.
8. **Ne touchez pas la fiche d'alimentation avec les mains mouillées.**
9. **Si le cordon est endommagé, faites-le remplacer par le fabricant ou son représentant, pour éviter les risques d'accident.**
4. **Retirez toute clé de serrage ou de réglage avant de mettre l'outil électrique en marche.** Une clé laissée en place sur une pièce rotative de l'outil électrique peut entraîner une blessure.
5. **Ne vous étirez pas trop. Assurez-vous d'une bonne prise au sol et d'une bonne position d'équilibre en tout temps.** Cela procure une meilleure maîtrise de l'outil électrique dans les situations imprévues.
6. **Portez des vêtements adéquats. Ne portez ni vêtements amples ni bijoux. Gardez vos cheveux, vêtements et gants à l'écart des pièces en mouvement.** Les vêtements amples, bijoux ou cheveux longs peuvent être happés par les pièces en mouvement.
7. **Si des accessoires sont fournis pour raccorder un appareil d'aspiration et de collecte des poussières, assurez-vous qu'ils sont correctement raccordés et qu'ils sont utilisés de manière adéquate.** L'utilisation d'un appareil de collecte des poussières permet de réduire les risques liés à la présence de poussières dans l'air.
8. **Ne vous laissez pas abuser, au point d'être sûr de vous et d'ignorer les principes de sécurité, par un sentiment de familiarité acquis par l'utilisation fréquente des outils électriques.** Un geste irréfléchi peut entraîner une grave blessure en une fraction de seconde.
9. **Portez toujours des lunettes à coques de protection pour protéger vos yeux contre les blessures lors de l'utilisation d'outils électriques. Les lunettes à coques doivent être conformes à ANSI Z87.1 aux États-Unis.** L'employeur a la responsabilité d'imposer l'utilisation d'équipements de protection de sécurité adéquats aux utilisateurs des outils électriques et à toute autre personne se trouvant dans la zone de travail immédiate.

Sécurité personnelle

1. **Restez vigilant, attentif à vos gestes et faites preuve de bon sens pendant l'utilisation d'un outil électrique. N'utilisez pas un outil électrique lorsque vous êtes fatigué ou sous l'influence d'une drogue, de l'alcool ou d'un médicament.** Tout moment d'inattention pendant l'utilisation des outils électriques peut entraîner une grave blessure.
2. **Utilisez l'équipement de protection individuel. Portez toujours un protecteur pour la vue.** Utilisé dans les conditions adéquates, l'équipement de protection - masque antipoussière, chaussures de sécurité antidérapantes, casque de protection ou protecteur auditif - réduit le risque de blessures.
3. **Évitez le démarrage accidentel. Assurez-vous que l'interrupteur est sur la position d'arrêt avant de connecter la source d'alimentation et/ou la batterie, de saisir l'outil ou de le transporter.** Transporter les outils électriques avec le doigt sur l'interrupteur, ou les connecter à une source d'alimentation alors que l'interrupteur est en position de marche ouvre toute grande la porte aux accidents.
5. **Utilisation et entretien des outils électriques**
 1. **Ne forcez pas l'outil électrique. Utilisez l'outil électrique qui convient à votre application.** Si vous utilisez l'outil électrique adéquat et respectez le régime pour lequel il a été conçu, il effectuera un travail de meilleure qualité et plus sécuritaire.
 2. **N'utilisez pas l'outil électrique s'il n'est pas possible de l'allumer et de l'éteindre avec son interrupteur.** Tout outil électrique dont l'interrupteur est défectueux représente un danger et doit être réparé.
 3. **Débranchez la fiche de la source d'alimentation et/ou retirez la BATTERIE de l'outil électrique, si elle est amovible, avant d'effectuer tout réglage, de remplacer les accessoires ou de ranger les outils électriques.** De telles mesures de sécurité préventives réduisent le risque de démarrage accidentel de l'outil électrique.
 4. **Mettez les outils électriques sous tension hors de la portée des enfants et ne laissez aucune personne les utiliser si elle n'est pas familiarisée avec l'outil électrique ou avec les présentes instructions d'utilisation.** Les outils électriques représentent un danger entre les mains de personnes qui n'en connaissent pas le mode d'utilisation.

- Veillez à l'entretien des outils électriques et des accessoires. Assurez-vous que les pièces mobiles ne sont pas désalignées ou coincées, qu'aucune pièce n'est cassée et que l'outil électrique n'a subi aucun dommage affectant son bon fonctionnement. Si un outil électrique est endommagé, faites-le réparer avant de l'utiliser.** De nombreux accidents sont causés par des outils électriques mal entretenus.
- Maintenez les outils tranchants bien aiguisés et propres.** Les outils tranchants dont l'entretien est effectué correctement et dont les bords sont bien aiguisés risquent moins de se coincer et sont plus faciles à maîtriser.
- Utilisez l'outil électrique, ses accessoires, ses embouts, etc., en respectant les présentes instructions et en tenant compte des conditions de travail et du type de travail à effectuer.** L'utilisation d'un outil électrique pour d'autres usages que ceux prévus peut entraîner une situation dangereuse.
- Gardez les poignées et surfaces de saisie sèches, propres et exemptes d'huile et de graisse.** Les poignées et surfaces de saisie glissantes ne permettent pas la manipulation sécuritaire et une bonne maîtrise de l'outil dans les situations imprévues.
- Lors de l'utilisation de l'outil, ne portez pas de gants de travail en tissu qui risquent de s'enchevêtrer dans l'outil.** L'enchevêtrement de gants de travail en tissu dans les pièces en mouvement peut entraîner une blessure.

Réparation

- Faites réparer votre outil électrique par un réparateur qualifié qui utilise des pièces de rechange identiques aux pièces d'origine.** Le maintien de la sûreté de l'outil électrique sera ainsi assuré.
- Suivez les instructions de lubrification et de remplacement des accessoires.**

Pour réduire le risque de décharge électrique, cet équipement est doté d'une fiche polarisée (une des lames est plus large que l'autre). Cette fiche ne s'insère que dans un seul sens dans une prise de courant polarisée. Si la fiche ne pénètre pas à fond dans la prise de courant, insérez-la dans l'autre sens. Si elle ne s'insère toujours pas à fond, contactez un électricien qualifié pour faire installer une prise de courant adéquate. Ne modifiez la fiche d'aucune façon.

MISE EN GARDE SUR LA TENSION : Avant de brancher l'outil sur une source d'alimentation (prise murale, prise de courant, etc.), assurez-vous que la tension fournie est la même que celle spécifiée sur la plaque signalétique de l'outil. Une source d'alimentation dont la tension est supérieure à celle spécifiée pour l'outil peut entraîner une GRAVE BLESSURE pour l'utilisateur, ainsi qu'endommager l'outil. En cas de doute, NE BRANCHEZ PAS L'OUTIL. L'utilisation d'une source d'alimentation dont la tension est inférieure à celle indiquée sur la plaque signalétique endommagera le moteur.

UTILISEZ UN CORDON PROLONGATEUR APPROPRIÉ. Assurez-vous que votre cordon prolongateur est en bonne condition. Lorsque vous utilisez un cordon prolongateur, assurez-vous qu'il est assez robuste pour transporter le courant exigé par le produit. Un cordon trop petit entraînera une baisse dans la tension composée, ce qui causera une perte d'énergie et une surchauffe. Le tableau 1 indique la dimension de cordon à utiliser, en fonction de la longueur du cordon et de l'intensité nominale figurant sur la plaque signalétique. En cas de doute, utilisez un calibre plus robuste. Plus le numéro de calibre est bas, plus le cordon est robuste.

Tableau 1 : Calibre minimum du cordon

Intensité nominale		Volts	Longueur totale du cordon en pieds			
			25 ft.	50 ft.	100 ft.	150 ft.
		120 V				
		220 V - 240 V	50 ft.	100 ft.	200 ft.	300 ft.
Plus de	Pas plus de	Calibre américain des fils				
0 A	6 A	-	18	16	16	14
6 A	10 A		18	16	14	12
10 A	12 A		16	16	14	12
12 A	16 A		14	12	Non recommandé	

Consignes de sécurité pour meuleuse

Consignes de sécurité communes aux travaux de meulage, ponçage, brossage métallique et tronçonnage :

- Cet outil électrique est conçu pour fonctionner en tant que meuleuse, ponceuse, brosse métallique, instrument de perçage de trous ou outil de tronçonnage. Lisez toutes les mises en garde, instructions, illustrations et spécifications qui accompagnent cet outil électrique.** Il y a risque de décharge électrique, d'incendie et/ou de blessure grave si toutes les instructions ci-dessous ne sont pas respectées.
- Les travaux tels que le polissage ne doivent pas être réalisés avec cet outil électrique.** Les travaux pour lesquels l'outil électrique n'a pas été conçu peuvent engendrer un danger et causer des blessures.
- Ne convertissez pas cet outil électrique pour l'utiliser d'une manière qui n'est pas spécifiquement prévue et spécifiée par le fabricant de l'outil.** Une telle conversion pourrait entraîner une perte de contrôle et causer des blessures individuelles graves.
- N'utilisez pas d'accessoires non conçus spécifiquement pour l'outil et non spécifiés par le fabricant de l'outil.** Même si un accessoire peut être fixé à votre outil électrique, cela ne garantit pas son fonctionnement sécuritaire.

5. **La vitesse nominale de l'accessoire doit être au moins égale à la vitesse maximale inscrite sur l'outil électrique.** En tournant plus vite que leur vitesse nominale, les accessoires peuvent casser et voler en éclats.
6. **Le diamètre extérieur et l'épaisseur de votre accessoire ne doivent pas dépasser la capacité nominale de votre outil électrique.** Il est impossible de protéger ou de contrôler adéquatement les accessoires d'une dimension inappropriée.
7. **Les dimensions du support d'accessoire doivent s'ajuster aux dimensions du matériel de montage de l'outil électrique.** Les accessoires non adaptés au matériel de montage de l'outil électrique se déséquilibreront, vibreront excessivement et risqueront d'entraîner une perte de contrôle.
8. **N'utilisez pas d'accessoire endommagé. Avant chaque utilisation, inspectez les accessoires pour vérifier l'absence d'écaillage et fissures sur les accessoires tels que les meules abrasives, l'absence de fissures, de bris ou d'usure excessive sur le tampon d'appoint, et l'absence de fils lâches ou fissurés sur la brosse métallique. Si vous échappez l'outil électrique ou un accessoire, assurez-vous de l'absence de dommages ou installez un accessoire non endommagé. Après avoir vérifié et installé un accessoire, assurez-vous que personne, y compris vous-même, ne se trouve dans la trajectoire de l'accessoire en rotation, et faites tourner l'outil électrique à vide et à vitesse maximale pendant une minute.** Si l'accessoire est endommagé, il devrait normalement se casser pendant cet essai.
9. **Portez des dispositifs de protection personnelle. Suivant le type d'utilisation, portez un écran facial, des lunettes à coques ou des lunettes de sécurité. Au besoin, portez un masque antipoussières, des protections d'oreilles, des gants et un tablier de travail assez épais pour arrêter les petits fragments abrasifs ou les fragments de pièce.** La protection oculaire utilisée doit pouvoir protéger contre les débris projetés lors des diverses applications. Le masque antipoussières ou le respirateur doit pouvoir filtrer les particules générées par l'application particulière. L'exposition trop longue à un bruit très intense peut entraîner des lésions de l'ouïe.
10. **Tenez toutes les personnes présentes à une distance sécuritaire de votre zone de travail. Toute personne pénétrant dans votre zone de travail doit porter des dispositifs de protection personnelle.** Des fragments de pièce ou d'un accessoire cassé peuvent s'envoler et blesser quelqu'un même au-delà de la zone de travail immédiate.
11. **Tenez l'outil électrique uniquement par ses surfaces de prise isolées pendant tout travail où l'accessoire de coupe pourrait venir en contact avec un câblage dissimulé ou avec son propre cordon.** En cas de contact de l'accessoire de coupe avec un fil sous tension, les pièces métalliques à découvert de l'outil électrique pourraient se mettre sous tension et risqueraient de transmettre une décharge électrique à l'utilisateur.
12. **Positionnez le cordon loin de l'accessoire en rotation.** Si vous perdez la maîtrise de l'outil, le cordon risque d'être coupé ou accroché, et votre main ou bras risque d'être entraîné vers l'accessoire en rotation.
13. **Ne reposez jamais l'outil électrique tant que l'accessoire ne s'est pas complètement immobilisé.** L'accessoire en rotation risquerait d'accrocher la surface et d'entraîner la perte de maîtrise de l'outil électrique.
14. **Ne faites pas fonctionner l'outil électrique lorsque vous le transportez.** Un contact accidentel avec l'accessoire en rotation pourrait accrocher vos vêtements et entraîner l'accessoire vers votre corps.
15. **Nettoyez régulièrement les orifices d'aération de l'outil électrique.** Le ventilateur du moteur aspire les poussières à l'intérieur du boîtier, et l'accumulation excessive de métal en poudre peut entraîner un risque électrique.
16. **N'utilisez pas l'outil électrique près de matériaux inflammables.** Les étincelles risqueraient de faire prendre en feu ces matériaux.
17. **N'utilisez pas d'accessoires qui requièrent un liquide de refroidissement.** L'utilisation d'eau ou autre liquide de refroidissement peut entraîner une électrocution ou une décharge électrique.

Recul et mises en gardes connexes :

Le recul est une réaction brusque qui se produit lorsqu'une meule en rotation, un tampon d'appoint, une brosse ou autre accessoire se coince ou accroche. Le coincement ou l'accrochage entraîne l'arrêt rapide de l'accessoire en rotation, ce qui en retour propulse l'outil électrique hors de contrôle dans le sens opposé à la rotation de l'accessoire au point de grippage. Par exemple, si une meule abrasive accroche dans la pièce ou s'y coince, le bord de la meule, au point où elle se coince, plongera dans le matériau, faisant du même coup remonter ou reculer la meule hors de la pièce. La meule peut alors bondir vers l'utilisateur ou dans le sens opposé, selon la direction du mouvement de la meule au point de coinçage. Les meules abrasives peuvent également se casser dans ces conditions. Le recul est le résultat d'une mauvaise utilisation de l'outil électrique et/ou de mauvaises méthodes ou conditions d'utilisation; on peut l'éviter en prenant les précautions adéquates indiquées ci-dessous.

1. **Maintenez une prise ferme avec les deux mains sur l'outil électrique, et placez votre corps et votre bras de manière à pouvoir résister aux forces de recul. Utilisez toujours la poignée auxiliaire, le cas échéant, pour contrôler au maximum le recul ou la réaction de couple durant le démarrage.** Si les précautions adéquates sont prises, l'utilisateur peut contrôler les réactions de couple ou les forces de recul.
2. **Ne mettez jamais votre main près de l'accessoire en rotation.** L'accessoire pourrait reculer sur votre main.
3. **Ne placez pas votre corps dans la zone où l'outil électrique se déplacera en cas de recul.** Le recul propulsera l'outil dans le sens opposé au mouvement de la meule au point d'accrochage.

4. **Faites preuve d'une prudence accrue lorsque vous travaillez sur des angles, des bords coupants, etc. Évitez de faire bondir ou d'accrocher l'accessoire.** Les angles, les bords coupants ou les rebondissements ont tendance à provoquer un accrochage de l'accessoire en rotation et à causer une perte de contrôle ou un recul.
5. **N'attachez pas de chaîne de scie, de lame de sculpture du bois, de meule diamant segmentée avec un espace périphérique de plus de 10 mm ou une lame en dents de scie.** De telles lames créent fréquemment un recul et une perte de contrôle.

Consignes de sécurité spécifiques aux travaux de meulage et de tronçonnage :

1. **Utilisez uniquement des meules du type spécifié pour votre outil électrique, et les protecteurs spécifiquement conçus pour la meule sélectionnée.** Les meules pour lesquelles l'outil électrique n'a pas été conçu ne peuvent être adéquatement protégées et sont dangereuses.
 2. **La surface de meulage des meules à moyeu déporté doit être montée sous le plan de la lèvre du protecteur.** Une meule mal montée qui dépasse le plan de la lèvre ne peut être adéquatement protégée.
 3. **Le protecteur doit être solidement fixé à l'outil électrique et positionné pour un maximum de sécurité, afin qu'un minimum de meule soit exposé vers l'utilisateur.** Le protecteur aide à protéger l'utilisateur des fragments cassés de meule, d'un contact accidentel avec la meule et des étincelles qui peuvent mettre feu aux vêtements.
 4. **Les meules ne doivent être utilisées que pour les applications spécifiées. Exemple : ne meulez pas avec le côté de la meule tronçonneuse.** Les meules tronçonneuses abrasives sont conçues pour le meulage périphérique. Elles peuvent voler en éclats sous l'effet d'une force latérale.
 5. **Utilisez toujours des flasques de meule en parfait état et dont la taille et la forme correspondent à la meule sélectionnée.** Les flasques de meule adéquats, en soutenant la meule, réduisent les risques de rupture de la meule. Les flasques des meules tronçonneuses peuvent être différents des flasques de meule.
 6. **N'utilisez pas les meules usées d'outils électriques plus gros.** Une meule conçue pour un outil électrique plus gros n'est pas adéquate pour la vitesse plus élevée d'un outil plus petit, et elle peut voler en éclats.
 7. **Lors de l'utilisation de meules à deux usages, utilisez toujours le protecteur adéquat pour l'application effectuée.** Si vous n'utilisez pas le bon protecteur, vous pourriez ne pas obtenir le niveau souhaité de protection, ce qui pourrait entraîner des blessures graves.
2. **Ne mettez pas votre corps droit derrière la meule en rotation.** Même si la meule, en cours de fonctionnement, s'éloigne de votre corps, un recul éventuel peut projeter la meule en rotation et l'outil électrique directement vers vous.
 3. **Lorsque la meule se coince ou que vous interrompez une coupe pour une raison quelconque, éteignez l'outil électrique et maintenez-le immobile jusqu'à ce que la meule s'arrête complètement. Ne cherchez jamais à sortir la meule tronçonneuse de l'entaille pendant que la meule est encore en mouvement, car vous vous exposeriez à un recul.** Si la meule a tendance à se coincer, recherchez-en la cause et apportez les correctifs appropriés.
 4. **Ne redémarrez pas le travail de coupe dans la pièce. Laissez la meule atteindre sa pleine vitesse et remplacez avec précaution l'outil dans l'entaille.** La meule peut se coincer, remonter ou provoquer un recul si l'outil électrique est redémarré dans la pièce.
 5. **Assurez un soutien aux panneaux ou à toute pièce surdimensionnée pour réduire le risque de coincement de la meule ou de recul.** Les grandes pièces ont tendance à s'affaisser sous leur propre poids. Placez des points d'appui sous la pièce près de la ligne de coupe et près des bords de la pièce des deux côtés de la meule.
 6. **Soyez particulièrement prudent lorsque vous découpez une ouverture dans une cloison existante ou tout autre matériau dont l'arrière n'est pas visible.** En dépassant, la meule pourrait couper une conduite de gaz ou d'eau, des fils électriques ou des objets qui risquent de provoquer un recul.
 7. **Ne tentez pas de réaliser une coupe incurvée.** Une surcharge de la meule augmente la charge et le risque de torsion ou coincement de la meule dans la coupe et la possibilité de recul ou de cassure de la meule, ce qui pourrait entraîner des blessures graves.
 8. **Avant d'utiliser une meule diamant segmentée, assurez-vous que la meule diamant présente un espace périphérique de 10 mm ou moins, avec un angle de coupe négatif seulement.**

Consignes de sécurité spécifiques au ponçage :

1. **Utilisez un disque abrasif de la dimension adéquate. Lors de la sélection du papier de ponçage, respectez les recommandations du fabricant.** Un papier abrasif plus trop au-delà du plateau de ponçage présente un risque de lacération et peut causer l'accrochage et la déchirure du disque, ou un recul.

Consignes de sécurité spécifiques au brossage métallique :

1. **Soyez conscient du fait que des poils de fils métalliques sont éjectés par la brosse pendant l'utilisation ordinaire. Ne malmenez pas les fils métalliques en appliquant une charge excessive à la brosse.** Les poils de fils métalliques pénètrent facilement dans les vêtements légers et/ou dans la peau.

Consignes de sécurité additionnelles pour travaux de tronçonnage :

1. **Ne « bloquez » pas la meule tronçonneuse et n'appliquez pas de pression excessive. N'essayez pas de faire une coupe trop profonde.** Une surcharge de la meule augmente la charge et le risque de torsion ou coincement de la meule dans la coupe et la possibilité de recul ou de cassure de la meule.

2. Si l'utilisation d'un protecteur est recommandée pour le brossage métallique, veillez à ce qu'il n'y ait aucune interférence entre la brosse circulaire ou la brosse métallique et le protecteur. Le diamètre de la brosse circulaire ou de la brosse métallique peut augmenter sous l'effet de la charge de travail et des forces centrifuges.
18. Lorsque vous utilisez une meule tronçonneuse, travaillez toujours avec le protecteur de meule collecteur de poussière si cela est exigé par la réglementation intérieure.

Consignes de sécurité additionnelles :


1. Lors de l'utilisation des meules à moyeu déporté, assurez-vous d'utiliser exclusivement des meules renforcées de fibre de verre.
2. **N'UTILISEZ JAMAIS** de meule évasée en pierre avec cette meuleuse. Cette meuleuse n'est pas conçue pour ce type de meules, et l'utilisation d'un tel produit pourrait provoquer des blessures graves.
3. Prenez garde d'endommager l'arbre, le flasque (tout particulièrement sa surface de pose) ou le contre-écrou. La meule risque de casser si ces pièces sont endommagées.
4. Assurez-vous que la meule n'entre pas en contact avec la pièce avant de mettre l'outil sous tension.
5. Avant d'utiliser l'outil sur la pièce elle-même, laissez-le tourner un instant. Soyez attentif à toute vibration ou sautellement pouvant indiquer que la meule n'est pas bien installée ou qu'elle est mal équilibrée.
6. Utilisez la face spécifiée de la meule pour meuler.
7. N'abandonnez pas l'outil alors qu'il tourne. Ne faites fonctionner l'outil qu'une fois que vous l'avez bien en main.
8. Ne touchez pas la pièce immédiatement après l'utilisation ; elle peut être très chaude et brûler votre peau.
9. Ne touchez pas les accessoires immédiatement après l'utilisation ; ils peuvent être très chauds et brûler votre peau.
10. Respectez les instructions du fabricant pour monter et utiliser les meules correctement. Manipulez et rangez les meules soigneusement.
11. N'utilisez pas de raccords de réduction séparés ou d'adaptateurs pour adapter les meules abrasives à grand trou.
12. Utilisez exclusivement les flasques spécifiés pour cet outil.
13. Avec les outils conçus pour la pose d'une meule à trou fileté, assurez-vous que le filetage de la meule est assez long par rapport à la longueur de l'arbre.
14. Assurez-vous que la pièce est adéquatement soutenue.
15. Gardez à l'esprit que la meule continue de tourner après la mise hors tension de l'outil.
16. Si le lieu de travail est extrêmement chaud et humide, ou très pollué par des poussières conductrices, utilisez un coupe-circuit (30 mA) pour assurer la sécurité de l'utilisateur.
17. N'utilisez l'outil sur aucun matériau contenant de l'amiante.
19. Les disques de coupe ne doivent être exposés à aucune pression latérale.
20. **N'utilisez pas de gants de travail en tissu pendant l'utilisation.** Les fibres des gants en tissu peuvent pénétrer dans l'outil et l'endommager.
21. **Avant l'utilisation, assurez-vous qu'il n'y a pas d'objets enterrés tels que tuyaux d'électricité, d'eau ou de gaz dans la pièce à travailler.** Autrement, il y a risque de décharge électrique, de dispersion électrique ou de fuite de gaz.
22. **Si un guide est fixé à la meule, ne le retirez pas. Le diamètre du guide doit être supérieur à celui du contre-écrou, du flasque extérieur et du flasque intérieur.**
23. **Avant d'installer la meule, assurez-vous toujours que la partie guide n'a pas d'anomalies, comme des entailles ou des fissures.**
24. **Serrez le contre-écrou correctement.** Un serrage excessif de la meule peut causer un bris et un serrage insuffisant peut causer un battement.

CONSERVEZ CE MODE D'EMPLOI.

⚠ MISE EN GARDE : NE VOUS LAISSEZ PAS tromper (au fil d'une utilisation répétée) par un sentiment d'aisance ou de familiarité avec le produit en négligeant les consignes de sécurité qui accompagnent le produit. **L'UTILISATION INCORRECTE** ou l'ignorance des consignes de sécurité du présent manuel d'instructions comporte un risque de blessure grave.

Symboles

Les symboles utilisés pour l'outil sont indiqués ci-dessous.

v	volts
A	ampères
Hz	hertz
~	courant alternatif
⤿	courant alternatif ou continu
n _o	vitesse à vide
	construction, catégorie II
... /min r /min	tours ou alternances par minute
∅	diamètre

DESCRIPTION DU FONCTIONNEMENT

ATTENTION : Assurez-vous toujours que l'outil est hors tension et débranché avant de l'ajuster ou de vérifier son fonctionnement.

Dispositif de protection de l'outil

L'outil est équipé d'un dispositif de protection de l'outil. Ce dispositif réduit ou coupe automatiquement l'alimentation du moteur pour augmenter la durée de service de l'outil. L'outil réduira l'alimentation ou s'arrêtera automatiquement pendant l'utilisation s'il se trouve dans l'une ou l'autre des situations suivantes :

Protection contre la surcharge

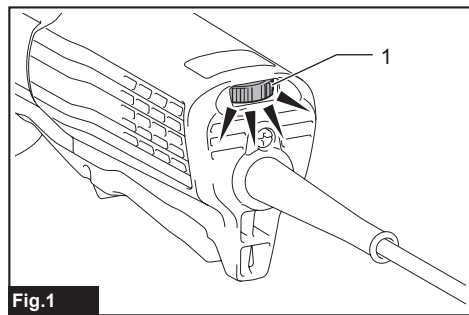
Lorsque l'outil est utilisé d'une manière entraînant une consommation anormale de courant, il réduit l'alimentation automatiquement sans aucune indication. Dans cette situation, éliminez la cause de la surcharge de manière à récupérer la vitesse de rotation.

Protection contre la surchauffe

Spécifique au pays

Lorsque l'outil surchauffe, il s'arrête automatiquement et le voyant clignote en rouge. Le cas échéant, laissez refroidir l'outil. Vous pouvez remettre l'outil en marche une fois que le voyant passe du rouge au vert.

Voyant



► 1. Voyant

Le voyant s'allume en vert lorsque l'outil est branché. Si le voyant clignote en rouge, la protection contre la surchauffe, la technologie de détection à rétroaction active ou la fonction de prévention du redémarrage accidentel interrompt le fonctionnement. Dans cette situation, éteignez l'outil. Rallumez ensuite l'outil pour redémarrer.

Si le voyant s'allume en rouge après avoir éteint l'outil, ce dernier est en surchauffe. Dans cette situation, refroidissez l'outil et attendez jusqu'à ce que le voyant s'allume en vert.

Cadran de réglage de la vitesse

Uniquement pour les modèles GA4593 / GA5093

ATTENTION : Si l'outil est utilisé de manière continue à vitesse réduite pendant une période prolongée, le moteur sera surchargé et surchauffé.

ATTENTION : Le cadran de réglage de la vitesse ne peut pas dépasser le 5 et le 1. Ne le forcez pas à dépasser le 5 ou le 1, sinon la fonction de réglage de la vitesse risque de ne plus fonctionner.

La vitesse de rotation peut être ajustée en tournant le cadran de réglage de la vitesse sur un numéro de réglage donné, de 1 à 5. Une vitesse plus élevée est obtenue lorsque le cadran est tourné en direction du numéro 5. Une vitesse plus basse est obtenue lorsqu'il est tourné dans la direction du numéro 1. Reportez-vous au tableau ci-dessous pour le rapport entre le chiffre de réglage sur le cadran et la vitesse de rotation approximative.

Numéro	Vitesse nominale
1	2 800 /min
2	4 500 /min
3	6 500 /min
4	8 000 /min
5	11 500 /min

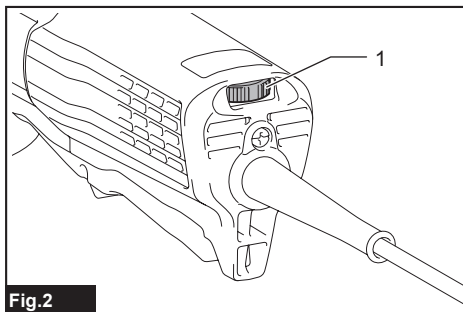


Fig.2

► 1. Cadran de réglage de la vitesse

Blocage de l'arbre

⚠ MISE EN GARDE : N'activez jamais le blocage de l'arbre alors que l'arbre bouge. Cela pourrait causer des blessures graves ou endommager l'outil.

Appuyez sur le blocage de l'arbre pour empêcher l'arbre de tourner lors de l'installation ou du retrait des accessoires.

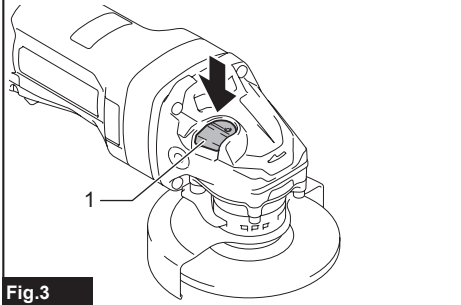


Fig.3

► 1. Blocage de l'arbre

Interrupteur

⚠ ATTENTION : Avant de brancher l'outil, vérifiez toujours si le levier de l'interrupteur fonctionne correctement et revient en position d'arrêt lorsque relâché.

⚠ ATTENTION : Pour votre sécurité, cet outil est doté d'un levier de sécurité qui prévient le démarrage involontaire de l'outil. N'utilisez JAMAIS l'outil s'il s'active simplement en tirant sur le levier d'interrupteur sans tirer sur le levier de sécurité. AVANT de poursuivre l'utilisation, retournez l'outil à notre centre de service autorisé pour le faire réparer.

⚠ ATTENTION : N'appuyez pas fortement sur le levier de l'interrupteur avant d'avoir appuyé sur le levier de sécurité. Vous risqueriez de casser l'interrupteur.

⚠ ATTENTION : Le levier de sécurité ne doit JAMAIS être immobilisé avec du ruban adhésif, ni modifié.

Un levier de sécurité est fourni pour prévenir la pression accidentelle sur le levier de l'interrupteur.

Pour démarrer l'outil, poussez le levier de sécurité vers vous, puis appuyez sur le levier de l'interrupteur.

Pour arrêter l'outil, relâchez le levier de l'interrupteur.

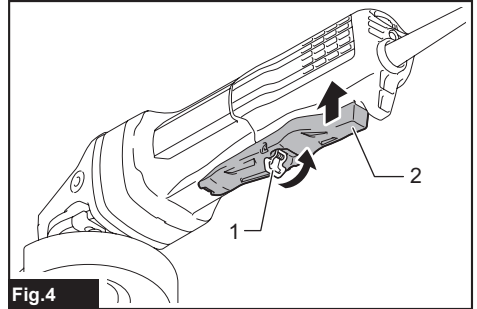


Fig.4

► 1. Levier de sécurité 2. Levier de l'interrupteur

Fonction électronique

Technologie de détection à réaction active

⚠ ATTENTION : Tenez l'outil fermement jusqu'à ce que la rotation s'arrête.

L'outil détecte électroniquement les situations où la meule ou l'accessoire risque de se coincer. Dans un tel cas, l'outil coupe automatiquement l'alimentation pour éviter que l'arbre ne continue de tourner (cela ne prévient toutefois pas le recul).

À ce moment, le voyant clignote en rouge et indique que la technologie de détection à réaction active fonctionne.

Pour redémarrer l'outil, éteignez d'abord l'outil, éliminez la cause de la baisse soudaine de la vitesse de rotation, puis rallumez l'outil.

Fonction de prévention du redémarrage accidentel

Lors du branchement de l'outil alors que l'interrupteur est en position de marche, l'outil ne démarre pas.

Dans ce cas, le voyant clignote en rouge et montre que la fonction de prévention du redémarrage accidentel est activée.

Pour démarrer l'outil, mettez l'interrupteur à la position d'arrêt, puis à la position de marche de nouveau.

Commande de vitesse constante

Permet d'obtenir une finition précise puisque la vitesse de rotation est maintenue constante même dans des conditions de lourde charge.

Fonction de démarrage en douceur

La fonction de démarrage en douceur atténue le choc de démarrage.

Frein mécanique

Uniquement pour les modèles GA4593 / GA4594 / GA5093 / GA5094

Le frein mécanique s'active une fois l'outil éteint. Le frein ne fonctionne pas lorsque la source d'alimentation est coupée alors que l'interrupteur est toujours en position de marche.

ASSEMBLAGE

ATTENTION : Avant d'effectuer toute intervention sur l'outil, assurez-vous toujours qu'il est hors tension et débranché.

Installation de la poignée latérale

ATTENTION : Avant d'utiliser l'outil, assurez-vous toujours que la poignée latérale est installée de façon sûre.

Vissez la poignée latérale à fond sur la position de l'outil comme illustré sur la figure.

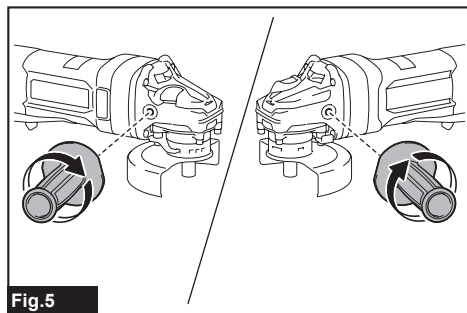


Fig.5

Pose ou retrait du protecteur de meule

MISE EN GARDE : Si vous utilisez une meule à moyeu déporté, un disque à lamelles, une meule flexible ou une brosse métallique circulaire, le protecteur de meule doit être placé sur l'outil de sorte que la partie de la meule recouverte par le protecteur soit toujours du côté de l'utilisateur.

MISE EN GARDE : Assurez-vous que le protecteur de meule est bien verrouillé par le levier de verrouillage avec un des orifices du protecteur de meule.

MISE EN GARDE : Lorsque vous utilisez une meule tronçonneuse abrasive / diamant, vous devez utiliser uniquement le protecteur spécial de meule conçu pour les meules tronçonneuses.

Pour meule à moyeu déporté, disque à lamelles, meule flexible, brosse métallique circulaire / meule tronçonneuse abrasive, meule diamant

1. Tout en appuyant sur le levier de verrouillage, montez le protecteur de meule avec ses parties saillantes alignées sur les entailles du boîtier d'engrenage.

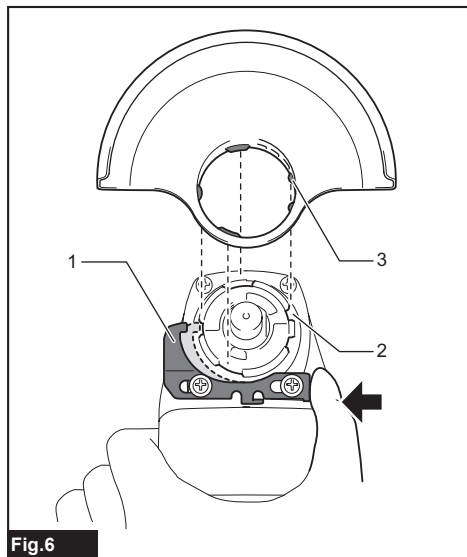


Fig.6

▶ 1. Levier de verrouillage 2. Entaille 3. Partie saillante

2. Tout en poussant le levier de verrouillage vers A, enfoncez les composants B du protecteur de meule tel qu'illustré sur la figure.

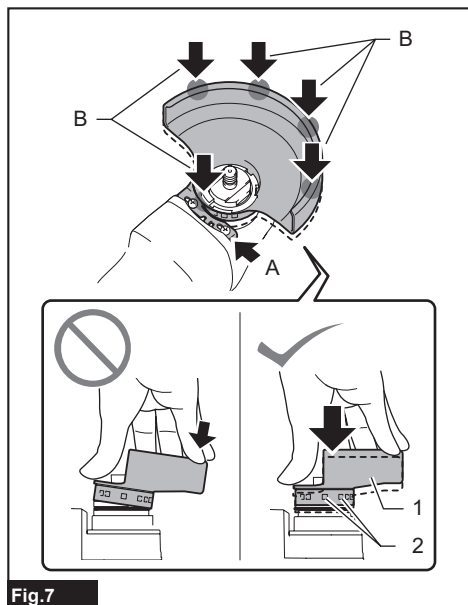


Fig.7

► 1. Protecteur de meule 2. Orifice

NOTE : Poussez le protecteur de meule droit vers le bas. Autrement, vous ne pourrez pas fixer le protecteur de meule.

3. Tout en poussant le levier de verrouillage vers A, tournez le protecteur de meule vers C, puis modifiez l'angle du protecteur de meule selon le travail à effectuer, de manière à être protégé. Alignez le levier de verrouillage sur un des orifices du protecteur de meule, puis libérez le levier de verrouillage pour verrouiller le protecteur de meule.

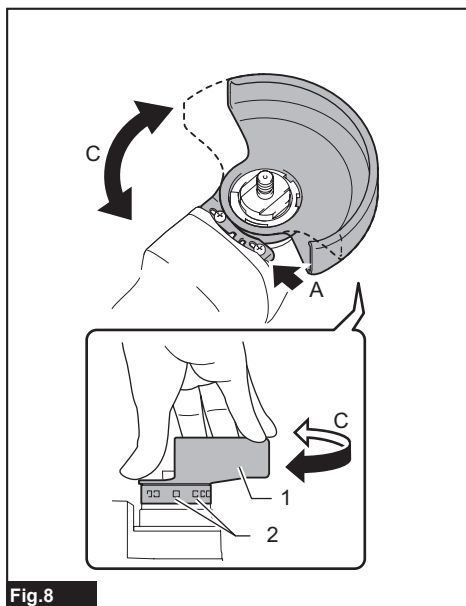


Fig.8

► 1. Protecteur de meule 2. Orifice

Pour retirer le protecteur de meule, suivez la procédure d'installation en sens inverse.

Fixation de protecteur de meule

Accessoire en option

NOTE : Pour les opérations de coupe, il est possible d'utiliser une fixation de protecteur de meule avec le protecteur de meule (pour la meule).

Non offert dans certains pays.

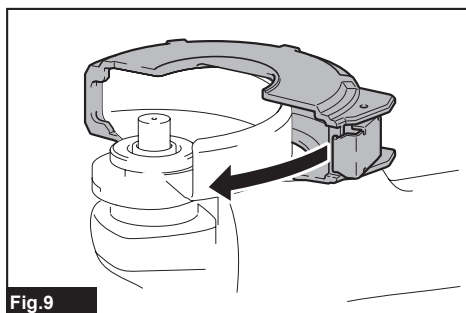


Fig.9

Pose ou retrait de la meule à moyeu déporté ou du disque à lamelles

Accessoire en option

⚠ MISE EN GARDE : Si vous utilisez une meule à moyeu déporté ou un disque à lamelles, le protecteur de meule doit être placé sur l'outil de sorte que la partie de la meule recouverte par le protecteur soit toujours du côté de l'utilisateur.

⚠ MISE EN GARDE : Assurez-vous que la pièce de montage du flasque intérieur est parfaitement adaptée au diamètre intérieur de la meule à moyeu déporté ou du disque à lamelles. Monter le flasque intérieur du mauvais côté peut entraîner de dangereuses vibrations.

Montez le flasque intérieur sur l'arbre. Assurez-vous de placer la partie dentelée du flasque intérieure dans la partie rectiligne au bas de l'arbre. Placez la meule à moyeu déporté ou le disque à lamelles sur le flasque intérieur, et vissez le contre-écrou sur l'arbre.

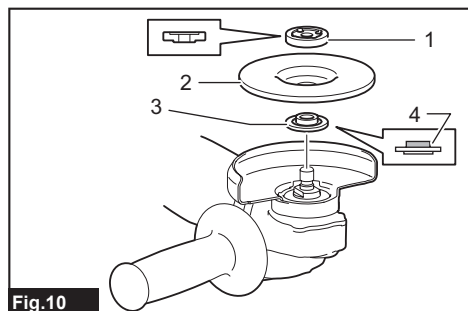


Fig.10

- 1. Contre-écrou 2. Meule à moyeu déporté
3. Flasque intérieur 4. Pièce de montage

Pour serrer le contre-écrou, appuyez fermement sur le blocage de l'arbre pour empêcher l'arbre de tourner, puis utilisez la clé à contre-écrou en serrant fermement dans le sens des aiguilles d'une montre.

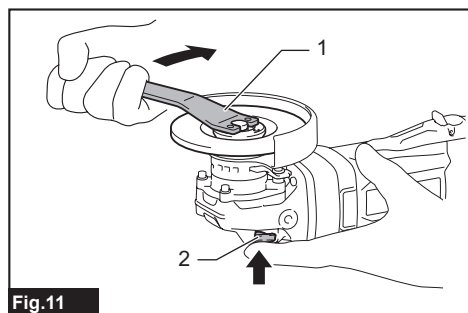


Fig.11

- 1. Clé à contre-écrou 2. Blocage de l'arbre

Pour retirer la meule, suivez la procédure d'installation en sens inverse.

Pose ou retrait de la meule flexible

Accessoire en option

⚠ MISE EN GARDE : Utilisez toujours le protecteur fourni quand la meule flexible est montée sur l'outil. La meule peut voler en éclats en cours d'utilisation et le protecteur réduit alors les risques de blessure.

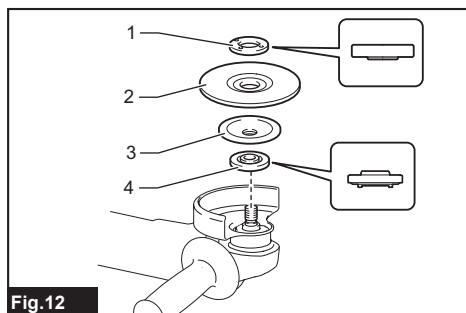


Fig.12

- 1. Contre-écrou 2. Meule flexible 3. Tampon d'apoint
4. Flasque intérieur

Suivez les instructions données pour la meule à moyeu déporté, mais en plaçant également un tampon d'apoint sur la meule.

Pose ou retrait du disque abrasif

Accessoire en option

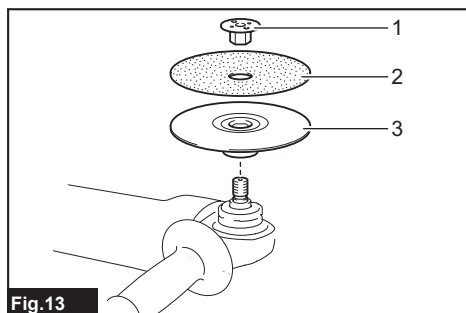


Fig.13

- 1. Contre-écrou de ponçage 2. Disque abrasif
3. Plateau de caoutchouc

1. Montez le plateau de caoutchouc sur l'arbre.
2. Placez le disque sur le plateau de caoutchouc et vissez le contre-écrou de ponçage sur l'arbre.
3. Tenez l'arbre avec le blocage de l'arbre, et serrez fermement le contre-écrou de ponçage dans le sens des aiguilles d'une montre à l'aide de la clé à contre-écrou.

Pour retirer le disque, suivez la procédure d'installation en sens inverse.

NOTE : Utilisez les accessoires de ponçage spécifiés dans ce manuel. Ces derniers doivent être achetés séparément.

Pose d'une meule tronçonneuse abrasive / meule diamant

Accessoire en option

⚠ MISE EN GARDE : Lorsque vous utilisez une meule tronçonneuse abrasive / diamant, vous devez utiliser uniquement le protecteur spécial de meule conçu pour les meules tronçonneuses.

⚠ MISE EN GARDE : N'utilisez JAMAIS une meule tronçonneuse pour faire du meulage latéral.

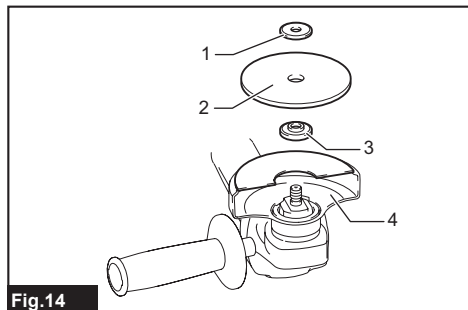


Fig.14

- 1. Contre-écrou 2. Meule tronçonneuse abrasive / meule diamant 3. Flasque intérieur 4. Protecteur de meule pour meule tronçonneuse abrasive / meule diamant

Pour l'installation, suivez les instructions de la meule à moyeu déporté.

Le sens de montage du contre-écrou et du flasque intérieur varie suivant le type de meule et l'épaisseur. Reportez-vous aux illustrations suivantes.

Lors de la pose d'une meule tronçonneuse abrasive :

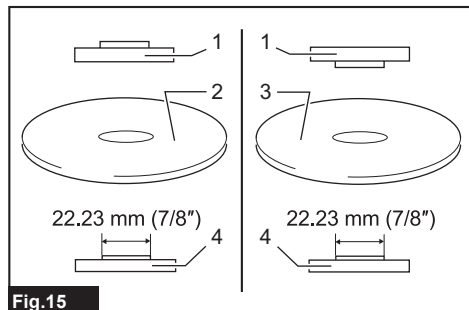


Fig.15

- 1. Contre-écrou 2. Meule tronçonneuse abrasive (plus mince que 4 mm (5/32")) 3. Meule tronçonneuse abrasive (4 mm (5/32") ou plus épaisse) 4. Flasque intérieur

Lors de la pose d'une meule diamant :

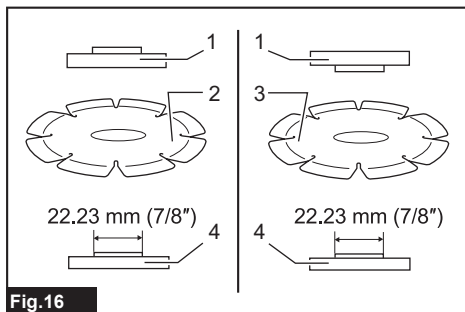


Fig.16

- 1. Contre-écrou 2. Meule diamant (plus mince que 4 mm (5/32")) 3. Meule diamant (4 mm (5/32") ou plus épaisse) 4. Flasque intérieur

Pose d'une brosse coupe métallique

Accessoire en option

⚠ ATTENTION : N'utilisez pas la brosse si elle est endommagée ou déséquilibrée. L'utilisation d'une brosse endommagée augmente les risques de blessure au contact des fils cassés.

Placez l'outil à l'envers pour permettre un accès aisé à l'arbre.

Retirez tous les accessoires de l'arbre. Enfilez la brosse coupe métallique sur l'arbre et serrez avec la clé fournie.

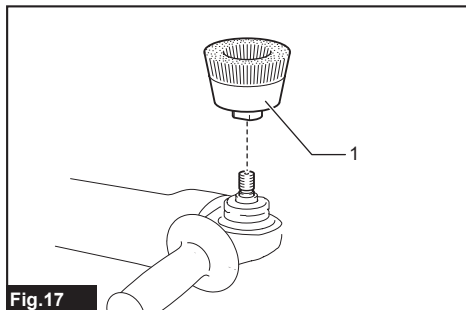


Fig.17

- 1. Brosse coupe métallique

Pose d'une brosse métallique circulaire

Accessoire en option

⚠ ATTENTION : N'utilisez pas la brosse métallique circulaire si elle est endommagée ou déséquilibrée. L'utilisation d'une brosse métallique circulaire endommagée augmente les risques de blessure au contact des fils cassés.

⚠ ATTENTION : Avec les brosses métalliques circulaires, utilisez TOUJOURS le protecteur, en vous assurant que le diamètre de la brosse n'est pas trop grand pour le protecteur. La meule (brosse) peut voler en éclats en cours d'utilisation et le protecteur réduit alors les risques de blessure.

Placez l'outil à l'envers pour permettre un accès aisé à l'arbre.

Retirez tous les accessoires de l'arbre. Enfilez la brosse métallique circulaire sur l'arbre et serrez avec les clés.

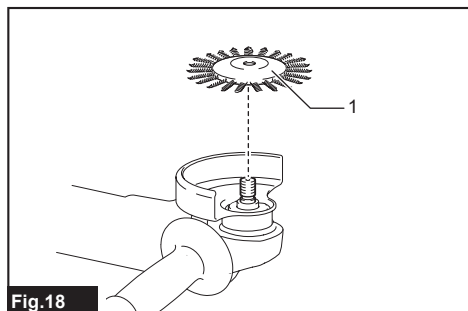


Fig.18

► 1. Brosse métallique circulaire

Pose de l'instrument de perçage de trous

Accessoire en option

Placez l'outil à l'envers pour permettre un accès aisé à l'arbre.

Retirez tous les accessoires sur l'arbre. Vissez l'instrument de perçage de trous sur l'arbre, puis serrez-le avec la clé fournie.

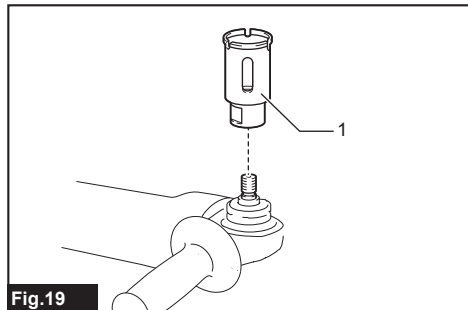


Fig.19

► 1. Instrument de perçage de trous

Pose du protecteur de meule collecteur de poussière pour le meulage

Accessoire en option

Avec des accessoires en option, vous pouvez utiliser cet outil pour raboter la surface de béton.

⚠ ATTENTION : Le protecteur de meule collecteur de poussière pour meuler ne doit être utilisé que pour raboter une surface de béton avec une meule diamant de type coupelle. N'utilisez pas ce protecteur avec un autre accessoire de coupe ou à d'autres fins.

⚠ ATTENTION : Avant d'utiliser cet outil, assurez-vous qu'un aspirateur est connecté à l'outil et allumé.

Retournez l'outil et installez le protecteur de meule collecteur de poussière.

Montez le flasque intérieur sur l'arbre.

Placez la meule diamant de type coupelle sur le flasque intérieur, et serrez le contre-écrou sur l'arbre.

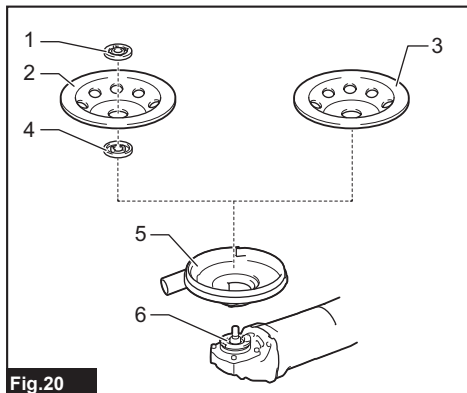


Fig.20

► 1. Contre-écrou 2. Meule diamant de type coupelle 3. Meule diamant de type coupelle sur moyen 4. Flasque intérieur 5. Protecteur de meule collecteur de poussière 6. Boîtier d'engrenage

NOTE : Pour obtenir plus de renseignements sur la manière d'installer le protecteur de meule collecteur de poussière, consultez le manuel du protecteur de meule collecteur de poussière.

Pose du protecteur de meule collecteur de poussière pour une opération de coupe

Accessoire en option

Avec des accessoires en option, vous pouvez utiliser cet outil pour découper des matériaux en pierre.

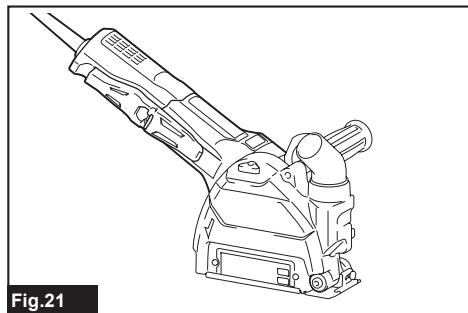


Fig.21

NOTE : Pour obtenir plus de renseignements sur la manière d'installer le protecteur de meule collecteur de poussière, consultez le manuel du protecteur de meule collecteur de poussière.

Raccordement à un aspirateur

Accessoire en option

⚠ MISE EN GARDE : Ne collectez jamais les particules de métal générées par le travail de meulage/coupe/ponçage. Les particules de métal générées par ces types de travail sont tellement chaudes qu'elles embraseraient les poussières et le filtre à l'intérieur de l'aspirateur.

Pour éviter de causer un environnement poussiéreux en coupant de la maçonnerie, utilisez un protecteur de meule collecteur de poussière et un aspirateur. Pour assembler et utiliser le protecteur de meule collecteur de poussière, reportez-vous au manuel d'instructions qui l'accompagne.

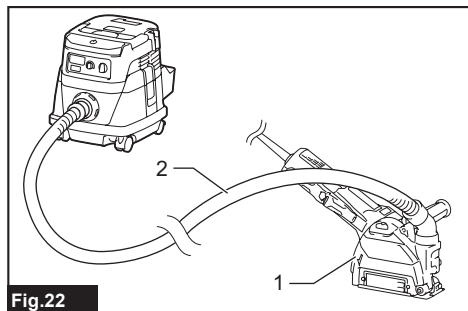


Fig.22

1. Protecteur de meule collecteur de poussière
2. Tuyau de l'aspirateur

Pose ou retrait de la fixation de cache antipoussières

Accessoire en option

⚠ ATTENTION : Avant de poser ou de retirer la fixation de cache antipoussières, assurez-vous toujours que l'outil est éteint et débranché. Autrement, il y a un risque de dommages à l'outil ou de blessures.

Posez la fixation de cache antipoussières à chaque position spécifiée.

Pour obtenir de plus amples renseignements, reportez-vous au manuel d'instructions de la fixation de cache antipoussières.

AVIS : Nettoyez la fixation de cache antipoussières lorsqu'elle est bouchée par des poussières ou des corps étrangers. Vous risqueriez d'endommager l'outil en poursuivant le travail avec une fixation de cache antipoussières bouchée.

UTILISATION

⚠ MISE EN GARDE : Il n'est jamais nécessaire de forcer l'outil. Le poids de l'outil lui-même suffit à assurer une pression adéquate. Le fait de forcer l'outil ou d'appliquer une pression excessive comporte un risque dangereux de casser la meule.

⚠ MISE EN GARDE : Remplacez TOUJOURS la meule lorsque vous échappez l'outil pendant le meulage.

⚠ MISE EN GARDE : Ne cognez ou frappez JAMAIS la meule contre la pièce à travailler.

⚠ MISE EN GARDE : Évitez de laisser la meule sautiller ou accrocher, tout spécialement lorsque vous travaillez dans les coins, sur les bords tranchants, etc. Cela peut causer une perte de contrôle et un recul.

⚠ MISE EN GARDE : N'utilisez JAMAIS cet outil avec des lames à bois et autres lames de scie. Les lames de ce type sautent fréquemment lorsqu'elles sont utilisées sur une meuleuse et risquent d'entraîner une perte de contrôle pouvant causer des blessures.

⚠ MISE EN GARDE : Continuer l'utilisation d'une meule usée peut causer l'éclatement de la meule et une grave blessure.

⚠ ATTENTION : Ne mettez jamais l'outil en marche alors qu'il se trouve en contact avec la pièce à travailler, pour éviter de vous blesser.

⚠ ATTENTION : Portez toujours des lunettes de sécurité ou un écran facial pendant l'utilisation.

⚠ ATTENTION : Après l'utilisation, mettez toujours l'outil hors tension et attendez l'arrêt complet de la meule avant de déposer l'outil.

⚠ ATTENTION : Tenez TOUJOURS l'outil fermement en posant une main sur le boîtier et l'autre main sur la poignée latérale.

NOTE : Il est possible d'utiliser une meule à deux usages pour les opérations de meulage et de coupe.

Consultez « Utilisation avec meule/disque » pour le meulage et consultez « Travaux avec meule tronçonneuse abrasive ou meule diamant » pour les opérations de coupe.

Utilisation avec meule/disque

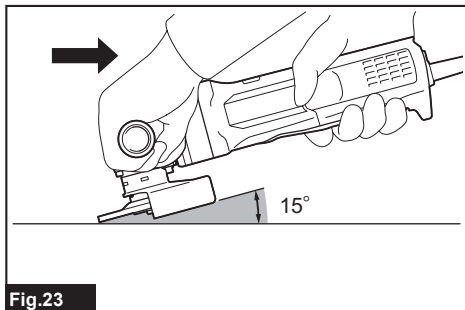


Fig.23

Mettez l'outil en marche puis posez la meule ou le disque sur la pièce à travailler.
En général, vous devez maintenir le bord de la meule ou du disque sur un angle d'environ 15° par rapport à la surface de la pièce à travailler.
Pendant la période de rodage d'une meule neuve, ne faites pas progresser la meuleuse vers l'avant, sinon elle risque de couper la pièce à travailler. Une fois le bord de la meule rodée, la meule peut être utilisée dans les sens avant et arrière.

Travaux avec meule tronçonneuse abrasive ou meule diamant

Accessoire en option

⚠ MISE EN GARDE : Ne « bloquez » pas la meule et n'appliquez pas de pression excessive. N'essayez pas de faire une coupe trop profonde.

Une surcharge de la meule augmente la charge, le risque de torsion ou coincement de la meule dans la fente, et la possibilité de recul, de cassure de la meule et de surchauffe du moteur.

⚠ MISE EN GARDE : Ne démarrez pas le travail de coupe dans la pièce. Laissez la meule atteindre sa pleine vitesse, et entamez doucement la coupe en déplaçant l'outil vers l'avant sur la surface de la pièce. La meule peut se coincer, remonter ou provoquer un recul si l'outil électrique est démarré dans la pièce.

⚠ MISE EN GARDE : Pendant la coupe, ne changez jamais l'angle de la meule. L'application d'une pression latérale sur la meule tronçonneuse (comme lors du meulage) causera la fissuration et la cassure de la meule, entraînant de graves blessures.

⚠ MISE EN GARDE : Une meule diamant doit être utilisée perpendiculairement au matériau à couper.

Exemple d'utilisation : travaux avec une meule tronçonneuse abrasive

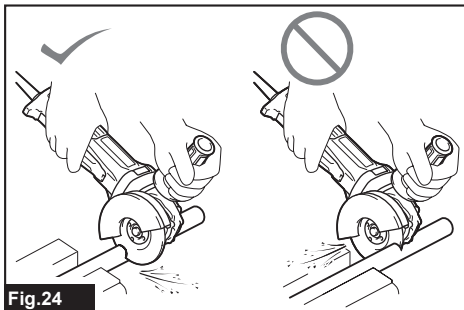


Fig.24

Exemple d'utilisation : travaux avec une meule diamant

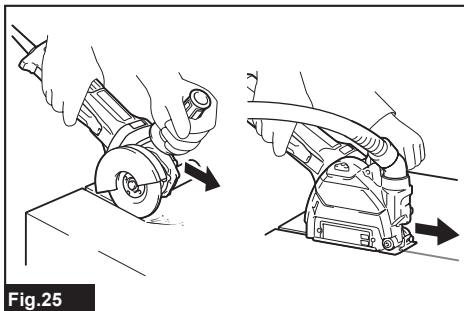


Fig.25

Travaux avec une brosse coupe métallique

Accessoire en option

⚠ ATTENTION : Vérifiez le fonctionnement de la brosse en faisant fonctionner l'outil sans charge, en vous assurant que personne ne se trouve devant la brosse ou sur sa trajectoire.

Exemple d'utilisation : travaux avec une brosse coupe métallique

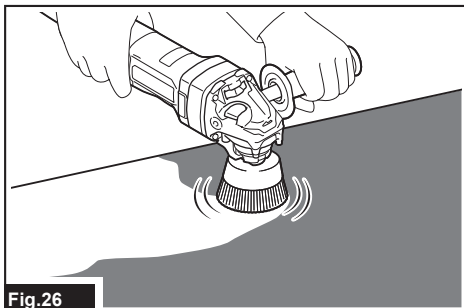


Fig.26

AVIS : Évitez d'appliquer trop de pression, car cela fait plier les fils lors de l'utilisation d'une brosse. Cela peut causer une rupture prématurée.

Travaux avec une brosse métallique circulaire

Accessoire en option

ATTENTION : Vérifiez le fonctionnement de la brosse métallique circulaire en faisant fonctionner l'outil sans charge, en vous assurant que personne ne se trouve devant la brosse métallique circulaire ou sur sa trajectoire.

Exemple d'utilisation : travaux avec une brosse métallique circulaire

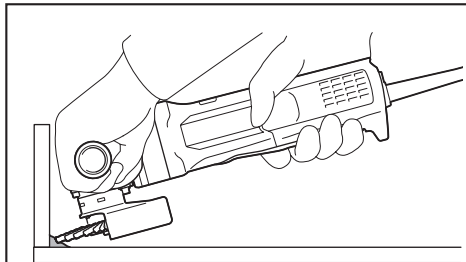


Fig.27

AVIS : Évitez d'appliquer trop de pression, car cela fait plier les fils lors de l'utilisation d'une brosse métallique circulaire. Cela peut causer une rupture prématurée.

Utilisation de l'instrument de perçage de trous

Accessoire en option

ATTENTION : Vérifiez le fonctionnement de l'instrument de perçage de trous en faisant fonctionner l'outil à vide, en vous assurant que personne ne se trouve devant l'instrument de perçage de trous.

AVIS : N'inclinez pas l'outil pendant l'opération. Cela peut causer une rupture prématurée.

Exemple d'utilisation : travaux avec un instrument de perçage de trous

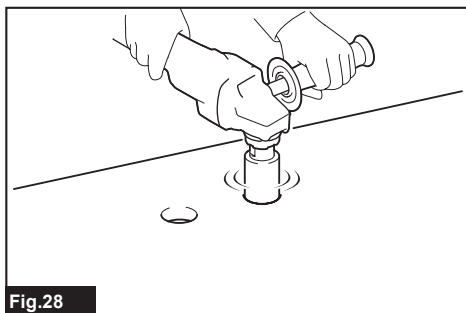


Fig.28

ENTRETIEN

ATTENTION : Assurez-vous toujours que l'outil est hors tension et débranché avant d'y effectuer tout travail d'inspection ou d'entretien.

AVIS : N'utilisez jamais d'essence, de benzine, de solvant, d'alcool ou autres produits similaires. Une décoloration, une déformation ou la formation de fissures peuvent en découler.

Pour maintenir la SÉCURITÉ et la FIABILITÉ du produit, les réparations et tout autre travail d'entretien ou de réglage doivent être effectués dans un centre de service après-vente autorisé ou une usine Makita, exclusivement avec des pièces de rechange Makita.

Nettoyage des orifices d'aération

L'outil et ses orifices d'aération doivent être maintenus propres. Nettoyez régulièrement les orifices d'aération de l'outil, ou chaque fois qu'ils commencent à se boucher.

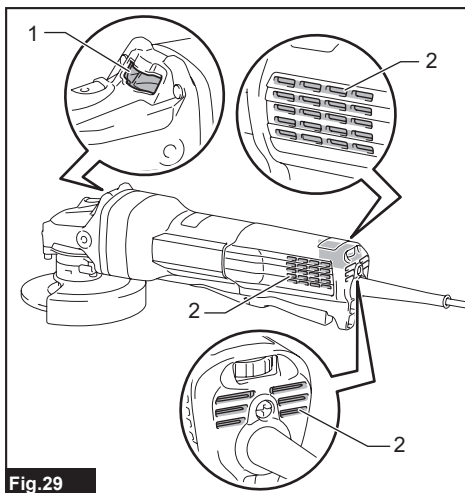


Fig.29

► 1. Orifice d'évacuation 2. Orifice d'entrée d'air

COMBINAISON D'APPLICATIONS ET D'ACCESSOIRES

Accessoire en option

ATTENTION : L'utilisation de l'outil avec les protecteurs incorrects peut poser les risques suivants :

- Lors de l'utilisation d'un protecteur de meule tronçonneuse pour le meulage front, le protecteur de meule peut interférer avec la pièce à travailler et entraîner un mauvais contrôle.
- Lors de l'utilisation d'un protecteur de meule pour des travaux de coupe avec des meules abrasives agglomérées et des meules diamant, il existe un risque accru d'exposition aux meules qui tournent, et aux étincelles et particules, ainsi qu'aux fragments dans l'éventualité d'un éclatement de la meule.
- Lors de l'utilisation d'un protecteur de meule tronçonneuse ou d'un protecteur de meule pour des travaux frontaux avec des meules diamant de type coupelle, le protecteur de meule peut interférer avec la pièce à travailler et entraîner un mauvais contrôle.
- Lors de l'utilisation d'un protecteur de meule tronçonneuse ou d'un protecteur de meule muni d'une brosse métallique de type à meule d'une épaisseur supérieure à l'épaisseur maximale spécifiée dans « SPÉCIFICATIONS », les fils pourraient s'accrocher dans le protecteur et entraîner le bris des fils.
- Utilisez des protecteurs de meule collecteur de poussière pour les travaux de coupe et frontaux dans du béton ou de la maçonnerie pour réduire le risque d'exposition à la poussière.
- Lors de l'utilisation de meules à flasque à deux usages (combinaison meulage et coupe abrasive), utilisez uniquement un protecteur de meule tronçonneuse.

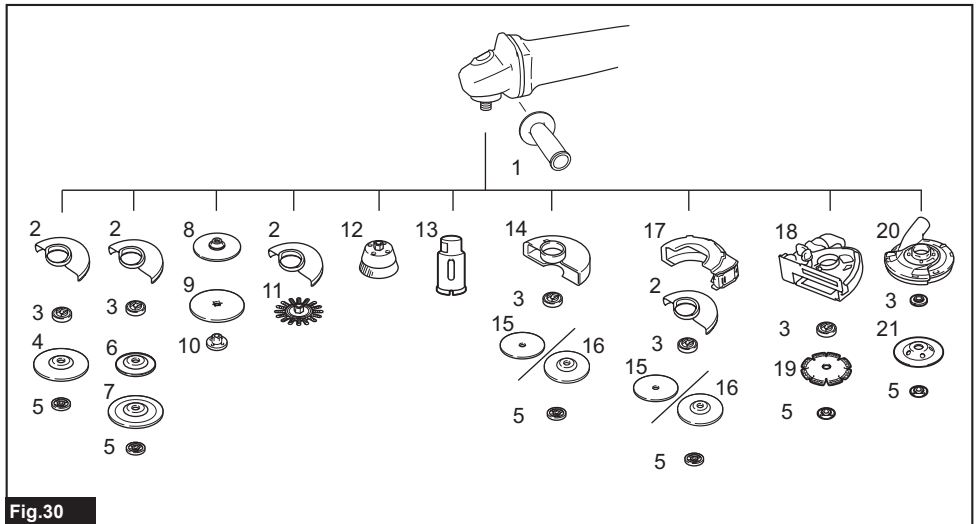


Fig.30

-	Application	Modèle 115 mm (4-1/2")	Modèle 125 mm (5")
1	-	Poignée latérale	
2	-	Protecteur de meule (pour meule)	
3	-	Flasque intérieur	
4	Meulage/ponçage	Meule à moyeu déporté / Disque à lamelles	
5	-	Contre-écrou	
6	-	Tampon d'appoint	
7	Meulage/ponçage	Meule flexible	
8	-	Plateau de caoutchouc 100	Plateau de caoutchouc 115
9	Ponçage	Disque abrasif	
10	-	Contre-écrou de ponçage	
11	Brossage métallique	Brosse métallique circulaire	
12	Brossage métallique	Brosse coupe métallique	
13	Perçage de trous	Instrument de perçage de trous	
14	-	Protecteur de meule (pour meule tronçonneuse)	

-	Application	Modèle 115 mm (4-1/2")	Modèle 125 mm (5")
15	Coupe	Meule tronçonneuse abrasive / Meule diamant	
16	Meulage/coupe	Meule à deux usages	
17	-	Fixation de protecteur de meule	
18	-	Protecteur de meule collecteur de poussière pour la coupe	
19	Coupe	Meule diamant	
20	-	Protecteur de meule collecteur de poussière pour le meulage	
21	Meulage	Meule diamant de type coupelle	
-	-	Clé à contre-écrou	
-	-	Fixation de cache antipoussières	

NOTE : Pour connaître d'autres types de protecteur qui peuvent être raccordés à un aspirateur, consultez chaque manuel d'instructions pour le protecteur.

ACCESSOIRES EN OPTION

⚠ ATTENTION : Ces accessoires ou pièces complémentaires sont recommandés pour l'utilisation avec l'outil Makita spécifié dans ce manuel. L'utilisation de tout autre accessoire ou pièce complémentaire peut comporter un risque de blessure. N'utilisez les accessoires ou pièces complémentaires qu'aux fins auxquelles ils ont été conçus.

Si vous désirez obtenir plus de détails sur ces accessoires, veuillez contacter le centre de service après-vente Makita le plus près.

- Les accessoires listés dans « COMBINAISON D'APPLICATIONS ET D'ACCESSOIRES »

NOTE : Certains éléments de la liste peuvent être inclus avec l'outil comme accessoires standards. Ils peuvent varier suivant les pays.

GARANTIE LIMITÉE MAKITA

Pour les conditions de garantie en vigueur qui s'appliquent à ce produit, veuillez vous reporter à la feuille de garantie en annexe. Si la feuille de garantie en annexe n'est pas disponible, reportez-vous aux détails de la garantie présentés sur le site Web de votre pays, ci-dessous.

États-Unis d'Amérique: www.makitatools.com

Canada: www.makita.ca

Autres pays: www.makita.com

ESPECIFICACIONES

Modelo:	GA4593	GA4594	GA4595	GA5093	GA5094	GA5095
Especificaciones eléctricas en México	120 V ~ 15 A 50/60 Hz					
Rueda de esmerilado aplicable	Diámetro máx. de la rueda	115 mm (4-1/2")		125 mm (5") *	125 mm (5")	125 mm (5") *
	Grosor máx. de la rueda	7,2 mm (9/32")				
Rueda cortadora aplicable	Diámetro máx. de la rueda	115 mm (4-1/2")		125 mm (5") *	125 mm (5")	125 mm (5") *
	Grosor máx. de la rueda	3,2 mm (1/8")				
Rueda de cepillo de alambre aplicable	Diámetro máx. de la rueda	115 mm (4-1/2")		125 mm (5") *	125 mm (5")	125 mm (5") *
	Grosor máx. de la rueda	20 mm (13/16")				
Rosca del eje	14 mm o 5/8" (especifica del país)					
Longitud máx. del eje	23 mm (29/32")					
Velocidad sin carga (n ₀)/Velocidad especificada (n)	11 500 r/min					
Longitud total	349 mm (13-3/4")	326 mm (12-7/8")	349 mm (13-3/4")	326 mm (12-7/8")		
Peso neto	2,8 kg - 4,0 kg (6,2 lbs - 8,8 lbs)	2,6 kg - 3,8 kg (5,7 lbs - 8,4 lbs)	2,9 kg - 4,0 kg (6,4 lbs - 8,8 lbs)	2,7 kg - 3,8 kg (6,0 lbs - 8,4 lbs)		
Clase de seguridad	□/II					

- Debido a nuestro programa continuo de investigación y desarrollo, las especificaciones aquí dadas están sujetas a cambios sin previo aviso.
- Las especificaciones pueden variar de país a país.
- El peso puede variar en función de los accesorios. En la tabla se muestra la combinación de peso más ligero y más pesado conforme al procedimiento 01/2014 de EPTA.

Específico del país

* Si instala el protector de la rueda opcional que se indica como 4-1/2" en la herramienta, se pueden usar ruedas de 115 mm (4-1/2").

ADVERTENCIAS DE SEGURIDAD

Advertencias generales de seguridad para herramientas eléctricas

⚠ ADVERTENCIA: Lea todas las advertencias de seguridad, instrucciones, ilustraciones y especificaciones suministradas con esta herramienta eléctrica. El no seguir todas las instrucciones indicadas a continuación podría ocasionar una descarga eléctrica, incendio y/o lesiones graves.

Conserve todas las advertencias e instrucciones como referencia en el futuro.

En las advertencias, el término "herramienta eléctrica" se refiere a su herramienta eléctrica de funcionamiento con conexión a la red eléctrica (con cableado eléctrico) o herramienta eléctrica de funcionamiento a batería (inalámbrica).

Seguridad en el área de trabajo

1. **Mantenga el área de trabajo limpia y bien iluminada.** Las áreas oscuras o desordenadas son propensas a accidentes.
2. **No utilice las herramientas eléctricas en atmósferas explosivas, tal como en la presencia de líquidos, gases o polvo inflamables.** Las herramientas eléctricas crean chispas que pueden prender fuego al polvo o los humos.
3. **Mantenga a los niños y espectadores alejados mientras utiliza una herramienta eléctrica.** Las distracciones le pueden hacer perder el control.

Seguridad eléctrica

1. **Las clavijas de las herramientas eléctricas deben encajar perfectamente en la toma de corriente. Nunca modifique la clavija en ninguna forma. No utilice ninguna clavija adaptadora con herramientas eléctricas que tengan conexión a tierra (puesta a tierra).** El uso de clavijas no modificadas y que encajen perfectamente en la toma de corriente reducirá el riesgo de que se produzca una descarga eléctrica.
2. **Evite el contacto del cuerpo con superficies conectadas a tierra o puestas a tierra tales como tubos, radiadores, cocinas y refrigeradores.** Si su cuerpo es puesto a tierra o conectado a tierra existirá un mayor riesgo de que sufra una descarga eléctrica.
3. **No exponga las herramientas eléctricas a la lluvia ni a condiciones de humedad.** La entrada de agua en una herramienta eléctrica aumentará el riesgo de que se produzca una descarga eléctrica.
4. **No maltrate el cable. Nunca utilice el cable para transportar, jalar o desconectar la herramienta eléctrica. Mantenga el cable alejado del calor, el aceite, los bordes filosos o las piezas móviles.** Los cables dañados o enredados aumentan el riesgo de que se produzca una descarga eléctrica.
5. **Cuando use una herramienta eléctrica en exteriores, utilice un cable de extensión apropiado para uso en exteriores.** El uso de un cable apropiado para uso en exteriores reducirá el riesgo de que se produzca una descarga eléctrica.
6. **Si no es posible evitar usar una herramienta eléctrica en condiciones de humedad, utilice un suministro protegido con dispositivo de corriente residual (DCR).** El uso de un DCR reduce el riesgo de una descarga eléctrica.
7. **Las herramientas eléctricas pueden producir campos electromagnéticos (CEM) que no son dañinos para el usuario.** Sin embargo, si los usuarios tienen marcapasos y otros dispositivos médicos similares, deberán consultar al fabricante de su dispositivo y/o a su médico antes de operar esta herramienta eléctrica.
8. **No toque la clavija de conexión con las manos húmedas.**
9. **Si el cable está dañado, solicite al fabricante o a su representante que lo reemplace para evitar un riesgo relacionado con la seguridad.**

Seguridad personal

1. **Manténgase alerta, preste atención a lo que está haciendo y utilice su sentido común cuando opere una herramienta eléctrica. No utilice la herramienta eléctrica cuando esté cansado o bajo la influencia de drogas, alcohol o medicamentos.** Un momento de distracción mientras opera las herramientas eléctricas podría ocasionar lesiones personales graves.
2. **Use equipo de protección personal. Utilice siempre protección para los ojos.** Un equipo protector tal como máscara contra el polvo, zapatos de seguridad antiderrapantes, casco rígido y protección para oídos utilizado en las condiciones apropiadas reducirá las lesiones personales.

3. **Evite un arranque accidental. Asegúrese de que el interruptor esté en la posición de apagado antes de conectar a la alimentación eléctrica y/o colocar el paquete de baterías, así como al levantar o transportar la herramienta.** Transportar las herramientas eléctricas con su dedo en el interruptor o enchufarlas con el interruptor encendido podría ocasionar accidentes.
 4. **Retire cualquier llave de ajuste o llave de apriete antes de encender la herramienta.** Una llave de ajuste o llave de apriete que se haya dejado puesta en una pieza giratoria de la herramienta eléctrica podría ocasionar lesiones personales.
 5. **No utilice la herramienta donde no alcance. Mantenga los pies sobre suelo firme y el equilibrio en todo momento.** Esto permitirá tener un mejor control sobre la herramienta eléctrica en situaciones inesperadas.
 6. **Use una vestimenta apropiada. No use ropa suelta ni alhajas. Mantenga el cabello, la ropa y los guantes alejados de las piezas móviles.** Las prendas de vestir holgadas, las alhajas y el cabello largo suelto podrían engancharse en estas piezas móviles.
 7. **Si dispone de dispositivos para la conexión de equipos de extracción y recolección de polvo, asegúrese de conectarlos y utilizarlos debidamente.** El uso de estos dispositivos reduce los riesgos relacionados con el polvo.
 8. **No permita que la familiaridad adquirida debido al uso frecuente de las herramientas haga que se sienta confiado e ignore los principios de seguridad de las herramientas.** Un descuido podría ocasionar una lesión grave en una fracción de segundo.
 9. **Utilice siempre gafas protectoras para proteger sus ojos de lesiones al usar herramientas eléctricas. Las gafas deben cumplir con la Norma ANSI Z87.1 en EUA.**
- Es responsabilidad del empleador imponer el uso de equipos protectores de seguridad apropiados a los operadores de la herramienta y demás personas cerca del área de trabajo.**

Mantenimiento y uso de la herramienta eléctrica

1. **No fuerce la herramienta eléctrica. Utilice la herramienta eléctrica correcta para su aplicación.** La herramienta eléctrica correcta hará un mejor trabajo de manera más segura a la velocidad para la que fue diseñada.
2. **No utilice la herramienta eléctrica si el interruptor no la enciende ni apaga.** Cualquier herramienta eléctrica que no pueda ser controlada con el interruptor es peligrosa y deberá ser reparada.
3. **Desconecte la clavija de la fuente de alimentación y/o retire la BATERÍA de la herramienta eléctrica, en caso de ser removible, antes de realizar ajustes, cambiar accesorios o almacenar las herramientas eléctricas.** Tales medidas de seguridad preventivas reducirán el riesgo de poner en marcha la herramienta eléctrica de forma accidental.
4. **Almacene las herramientas eléctricas cuando no se vayan a utilizar fuera del alcance de los niños y no permita que las personas que no estén familiarizadas con ellas o con las instrucciones las operen.** Las herramientas eléctricas son peligrosas en manos de usuarios inexpertos.

- Dé mantenimiento a las herramientas eléctricas y los accesorios. Compruebe que no haya piezas móviles desalineadas o estancadas, piezas rotas y cualquier otra condición que pueda afectar al funcionamiento de la herramienta eléctrica. Si la herramienta eléctrica está dañada, haga que la reparen antes de utilizarla.** Muchos de los accidentes son ocasionados por herramientas eléctricas que no han recibido un mantenimiento adecuado.
- Mantenga las herramientas de corte limpias y afiladas.** Las herramientas de corte que reciben un mantenimiento adecuado y tienen los bordes afilados tienen una menor probabilidad de quedar atascadas y son más fáciles de controlar.
- Utilice la herramienta eléctrica, así como los accesorios y puntas, etc. de acuerdo con estas instrucciones, tomando en cuenta las condiciones laborales y el trabajo a realizar.** Si utiliza la herramienta eléctrica para realizar operaciones distintas de las indicadas, podría presentarse una situación peligrosa.
- Mantenga las empuñaduras y superficies de asimiento secas, limpias y libres de aceite o grasa.** Las empuñaduras y superficies de asimiento resbalosas no permiten una manipulación segura ni el control de la herramienta en situaciones inesperadas.
- Cuando vaya a utilizar esta herramienta, evite usar guantes de trabajo de tela ya que éstos podrían atorarse.** Si los guantes de trabajo de tela llegan a atorarse en las piezas móviles, esto podría ocasionar lesiones personales.

Servicio

- Haga que una persona calificada repare la herramienta utilizando sólo piezas de repuesto idénticas.** Esto garantizará que se mantenga la seguridad de la herramienta eléctrica.
- Siga las instrucciones para la lubricación y cambio de accesorios.**

Para reducir el riesgo de descarga eléctrica, este equipo cuenta con una clavija polarizada (una pata es más amplia o ancha que la otra). Esta clavija encajará perfectamente en una toma de corriente polarizada solamente de una manera. Si la clavija no encaja perfectamente en la toma de corriente, invierta la clavija. Si aun así no encaja, póngase en contacto con un electricista calificado para que le instale una toma de corriente apropiada. No modifique la clavija en ninguna forma.

ADVERTENCIA SOBRE EL VOLTAJE: Antes de conectar la herramienta a una fuente de alimentación (receptáculo, toma de corriente, etc.), asegúrese de que el voltaje suministrado sea igual al especificado en la placa de características de la herramienta. Una fuente de alimentación con un voltaje mayor al especificado para la herramienta podría ocasionar LESIONES GRAVES al usuario, así como daños a la herramienta. Si tiene dudas, NO CONECTE LA HERRAMIENTA. El utilizar una fuente de alimentación con un voltaje menor a la capacidad nominal indicada en la placa de características podría causar daños al motor.

UTILICE CABLES DE EXTENSIÓN APROPIADOS. Asegúrese de que su cable de extensión esté en buenas condiciones. Cuando utilice un cable de extensión, asegúrese de utilizar uno del calibre suficiente para conducir la corriente que demande el producto. Un cable de calibre inferior ocasionará una caída en la tensión de línea y a su vez una pérdida de potencia y sobrecalentamiento. La tabla 1 muestra la medida correcta a utilizar dependiendo de la longitud del cable y el amperaje nominal indicado en la placa de características. Si no está seguro, utilice el siguiente calibre más alto. Cuanto menor sea el número de calibre, más corriente podrá conducir el cable.

Tabla 1: Calibre mínimo para el cable

Amperaje nominal		Voltios	Longitud total del cable en metros			
			7 m (25 ft.)	15 m (50 ft.)	30 m (100 ft.)	45,7 m (150 ft.)
120 V ~			7 m (25 ft.)	15 m (50 ft.)	30 m (100 ft.)	45,7 m (150 ft.)
220 V ~ - 240 V ~			15 m (50 ft.)	30 m (100 ft.)	60,9 m (200 ft.)	91,4 m (300 ft.)
Más de	No más de	-	Calibre del cable (AWG)			
0 A	6 A		18	16	16	14
6 A	10 A		18	16	14	12
10 A	12 A		16	16	14	12
12 A	16 A		14	12	No se recomienda	

Advertencias de seguridad para la esmeriladora

Advertencias de seguridad comunes para las operaciones de esmerilado, lijado, cepillado con alambre o corte:

- Esta herramienta eléctrica está diseñada para funcionar como esmeriladora, lijadora, cepillo de alambre, cortadora de orificios o herramienta de corte. Lea todas las advertencias de seguridad, instrucciones, ilustraciones y especificaciones suministradas con esta herramienta eléctrica.** El no seguir todas las instrucciones indicadas a continuación podrá ocasionar una descarga eléctrica, incendio y/o lesiones graves.

- Las operaciones tales como el pulido no deben realizarse con esta herramienta eléctrica.** Las operaciones para las que la herramienta eléctrica no está diseñada pueden representar un riesgo y ocasionar lesiones personales.
- No convierta esta herramienta eléctrica para que funcione de una manera que no esté específicamente diseñada y especificada por el fabricante de la herramienta.** Tal conversión podría resultar en una pérdida de control y causar serias lesiones personales.
- No utilice accesorios que no hayan sido específicamente diseñados y especificados por el fabricante de la herramienta.** Sólo porque un accesorio pueda instalarse en su herramienta eléctrica no garantiza una operación segura.

5. **La velocidad especificada para el accesorio debe ser por lo menos la misma que la velocidad máxima marcada en la herramienta eléctrica.** Los accesorios que vayan a una velocidad mayor que su velocidad especificada pueden romperse y desintegrarse.
 6. **El diámetro exterior y el grosor de su accesorio deben estar dentro de la capacidad indicada de su herramienta eléctrica.** Los accesorios de tamaño incorrecto no podrán ser protegidos ni controlados adecuadamente.
 7. **Las dimensiones del montaje de accesorios deben ajustarse a las dimensiones del hardware de montaje de la herramienta eléctrica.** Los accesorios que no encajen con el equipo de montaje de la herramienta eléctrica se desequilibrarán, vibrarán excesivamente y podrán causar pérdida de control.
 8. **No utilice accesorios dañados. Antes de cada uso, inspeccione los accesorios tales como las ruedas abrasivas para verificar que no haya grietas ni astillas, la almohadilla de soporte para revisar que no haya roturas, rasgaduras o un desgaste excesivo, o el cepillo de alambre para comprobar que no haya alambres sueltos o rotos. Si la herramienta eléctrica o algún accesorio llegan a caerse, inspeccione que no haya daños o instale un accesorio que no esté dañado. Después de inspeccionar e instalar un accesorio, colóquese usted y las personas alrededor lejos del plano del accesorio giratorio y haga funcionar la herramienta eléctrica a la velocidad máxima sin carga durante un minuto.** Los accesorios dañados por lo general se romperán durante este tiempo de prueba.
 9. **Use equipo de protección personal. Dependiendo de la aplicación, use careta y gafas protectoras o de seguridad. Según resulte apropiado, use máscara contra polvo, protectores para oídos, guantes y mandil de trabajo que puedan detener pequeños fragmentos abrasivos o de la pieza de trabajo.** La protección para los ojos deberá ser capaz de detener los residuos que salgan volando a causa de las distintas aplicaciones. La máscara contra polvo o respirador deberá ser capaz de filtrar las partículas generadas por la aplicación en particular. La exposición prolongada al ruido de alta intensidad podrá provocar pérdida auditiva.
 10. **Mantenga a las personas alrededor a una distancia segura del área de trabajo. Cualquiera persona que ingrese al área de trabajo deberá usar equipo de protección personal.** Los fragmentos de la pieza de trabajo o de un accesorio roto podrán salir proyectados más allá del área inmediata de operación y causar lesiones.
 11. **Cuando realice una operación en la que el accesorio de corte pueda entrar en contacto con cableado oculto o con su propio cable, sujete la herramienta eléctrica únicamente por las superficies de sujeción aisladas.** El contacto del accesorio de corte con un cable con corriente hará que la corriente circule por las piezas metálicas expuestas de la herramienta eléctrica y podría ocasionar una descarga eléctrica al operador.
 12. **Coloque el cable lejos del accesorio giratorio.** Si pierde el control, el cable podrá ser cortado o enredarse y jalar su mano o brazo hacia el accesorio giratorio.
 13. **Nunca deje la herramienta eléctrica hasta que el accesorio se haya detenido completamente.** El accesorio giratorio puede agarrar la superficie y jalar la herramienta eléctrica haciendo que usted pierda el control sobre ella.
 14. **No tenga encendida la herramienta eléctrica mientras la lleva cargando a un costado.** El contacto accidental con el accesorio giratorio podría enganchar su ropa y jalar el accesorio hacia su cuerpo.
 15. **Limpie regularmente los orificios de ventilación de la herramienta eléctrica.** El ventilador del motor atraerá el polvo hacia el interior de la carcasa y la acumulación excesiva de polvo metálico podrá ocasionar riesgos eléctricos.
 16. **No utilice la herramienta eléctrica cerca de materiales inflamables.** Las chispas podrían prender fuego a estos materiales.
 17. **No utilice accesorios que requieran refrigerantes líquidos.** El uso de agua u otros refrigerantes líquidos puede ocasionar una electrocución o descarga eléctrica.
- Retrocesos bruscos y advertencias relacionadas:**
El retroceso brusco es una reacción repentina a un atoramiento o enganchamiento de la rueda giratoria, almohadilla de soporte, cepillo o cualquier otro accesorio. El atoramiento o enganchamiento ocasiona un rápido detenimiento del accesorio giratorio que a su vez causa que la herramienta eléctrica descontrolada sea forzada en la dirección opuesta al giro del accesorio en el punto de atascamiento. Por ejemplo, si una rueda abrasiva queda enganchada o atorada por la pieza de trabajo, el borde de la rueda que está entrando en el punto de atoramiento puede hundirse en la superficie del material haciendo que la rueda se salga o salte. La rueda podrá saltar ya sea hacia el operador o en dirección contraria a él, dependiendo de la dirección del movimiento de la rueda en el punto de atoramiento. Las ruedas abrasivas también pueden romperse en estas condiciones.
- El retroceso brusco es el resultado de un mal uso de la herramienta eléctrica y/o de procedimientos o condiciones de operación incorrectos y puede evitarse tomando las precauciones adecuadas tal como se indica a continuación.
1. **Mantenga sujetada firmemente la herramienta eléctrica con ambas manos, y posicione su cuerpo y brazos de manera que pueda resistir las fuerzas del retroceso brusco. De estar disponible, utilice siempre el mango auxiliar para un control máximo durante un retroceso brusco o reacción de torsión durante la puesta en marcha de la herramienta.** El operador puede controlar las reacciones de torsión o fuerzas del retroceso brusco siempre y cuando se tomen las precauciones adecuadas.
 2. **Nunca coloque su mano cerca del accesorio giratorio.** El accesorio puede tener un retroceso brusco sobre su mano.
 3. **No posicione su cuerpo en el área donde la herramienta eléctrica pueda desplazarse en caso de ocurrir un retroceso brusco.** El retroceso brusco proyectará la herramienta en dirección opuesta al movimiento de la rueda en el punto de enganchamiento.

4. **Tenga especial cuidado al trabajar en esquinas, bordes afilados, etc. Evite que el accesorio rebote o se enganche.** Las esquinas, bordes filosos o rebotes tienden a enganchar el accesorio giratorio y ocasionar la pérdida de control o un retroceso brusco.
5. **No coloque un disco para labrar madera de cadena de sierra, rueda de diamante segmentada con un espacio periférico de separación mayor a 10 mm, ni disco de sierra dentado.** Dichos discos ocasionan con frecuencia un retroceso brusco y la pérdida de control.

Advertencias de seguridad específicas para las operaciones de esmerilado y corte:

1. **Use solamente los tipos de ruedas especificados para su herramienta eléctrica y el protector diseñado específicamente para la rueda seleccionada.** Las ruedas para las que esta herramienta eléctrica no está diseñada no podrán ser protegidas adecuadamente y resultarán inseguras.
2. **La superficie de esmerilado de las ruedas de centro hundido debe quedar colocada debajo del plano del borde del protector.** Una rueda instalada incorrectamente que se proyecte a través del plano del borde del protector no podrá ser protegida adecuadamente.
3. **El protector debe quedar bien instalado y colocado en la herramienta eléctrica para garantizar la máxima seguridad, de tal manera que el operador esté lo menos expuesto posible a la rueda.** El protector ayuda a proteger al operador de los fragmentos rotos de la rueda, del contacto accidental con la rueda y de las chispas que podrían prender fuego a la ropa.
4. **Las ruedas deben usarse únicamente para las aplicaciones especificadas. Por ejemplo, no haga operaciones de esmerilado con la parte lateral de la rueda cortadora.** Las ruedas cortadoras abrasivas están diseñadas para el esmerilado periférico; las fuerzas aplicadas lateralmente a estas ruedas pueden ocasionar que se rompan en pedazos.
5. **Utilice siempre bridas para ruedas que no estén dañadas y del tamaño y la forma correctos para la rueda seleccionada.** Las bridas para ruedas adecuadas soportan la rueda reduciendo así la posibilidad de rotura de la rueda. Las bridas para ruedas cortadoras pueden ser diferentes a las bridas para ruedas de esmerilado.
6. **No utilice ruedas que estén desgastadas de herramientas eléctricas más grandes.** Una rueda diseñada para una herramienta eléctrica más grande no es adecuada para la velocidad mayor de una herramienta más pequeña y puede reventarse.
7. **Cuando utilice ruedas de doble propósito, utilice siempre el protector adecuado para la aplicación que se esté realizando.** Si no utiliza el protector correcto, es posible que no proporcione el nivel de protección deseado, lo que podría provocar lesiones graves.

Advertencias de seguridad adicionales específicas para las operaciones de corte:

1. **Evite trabar la rueda cortadora o aplicar una presión excesiva. No intente hacer un corte de profundidad excesiva.** Aplicar una presión excesiva a la rueda incrementa la carga y susceptibilidad a que la rueda se tuerza o atasque durante el corte, y que se genere un retroceso brusco o la rotura de la rueda.
2. **No coloque su cuerpo en línea con la rueda giratoria ni detrás de ésta.** En el momento de la operación, cuando la rueda se esté alejando de su cuerpo, el posible retroceso brusco podrá lanzar la rueda giratoria y la herramienta eléctrica directamente hacia usted.
3. **Cuando la rueda se atasque o se interrumpa el corte por cualquier razón, apague la herramienta eléctrica y sosténgala sin moverla hasta que la rueda se detenga por completo. Nunca intente retirar la rueda cortadora del corte mientras la rueda esté en movimiento porque podría ocasionar un retroceso brusco.** Investigue y tome medidas correctivas para eliminar la causa del atascamiento de la rueda.
4. **Evite reiniciar la operación de corte en la pieza de trabajo. Permita que la rueda alcance su velocidad completa y se reintroduzca con cuidado en el corte.** La rueda puede atascarse, salirse del camino o generar un retroceso brusco si la herramienta eléctrica es reiniciada estando en la pieza de trabajo.
5. **Proporcione apoyo a los paneles o cualquier pieza de trabajo de gran tamaño para minimizar el riesgo de que la rueda se atore y dé un retroceso brusco.** Las piezas de trabajo grandes tienden a hundirse bajo su propio peso. Deben colocarse soportes debajo de la pieza de trabajo a ambos lados de la rueda, cerca de la línea de corte y del borde de la misma.
6. **Tenga especial cuidado cuando realice un "corte de penetración" en las paredes existentes u otras áreas ciegas.** La parte saliente de la rueda puede cortar tuberías de gas o agua, así como cableado eléctrico u objetos que puedan producir un retroceso brusco.
7. **No intente hacer cortes curvados.** Aplicar una presión excesiva a la rueda incrementa la carga y susceptibilidad a que la rueda se tuerza o atasque durante el corte, y que se genere un retroceso brusco o la rotura de la rueda, lo que podría ocasionar una lesión grave.
8. **Antes de usar una rueda de diamante segmentada, asegúrese de que la rueda de diamante cuente con espacio periférico de separación entre los segmentos de 10 mm o menos, solo con un ángulo de corte negativo.**

Advertencias de seguridad específicas para las operaciones de lijado:

1. **Utilice un disco de papel para lijado de tamaño adecuado. Siga las recomendaciones de los fabricantes cuando seleccione el papel de lijado.** Un papel de lijado de mayor tamaño que se extienda mucho más allá de la almohadilla de lijado implica un riesgo de desgarramiento y podría ocasionar el enganchamiento o rotura del disco o un retroceso brusco.

Advertencias de seguridad específicas para las operaciones de cepillado con alambre:

1. Tenga en cuenta que incluso durante la operación normal pueden salir expulsadas cerdas de alambre del cepillo. Evite aplicar demasiada presión en los alambres sobrecargando excesivamente el cepillo. Las cerdas de alambre pueden penetrar fácilmente la ropa ligera o la piel.
2. Si se especifica utilizar un protector durante el cepillado con alambre, impida cualquier interferencia de la rueda o cepillo de alambre con el protector. El diámetro de la rueda o cepillo de alambre puede aumentar a causa de la carga de trabajo y las fuerzas centrífugas.

Advertencias de seguridad adicionales:

1. Cuando utilice ruedas de esmerilado de centro hundido, asegúrese de utilizar solamente ruedas reforzadas con fibra de vidrio.
2. NUNCA UTILICE ruedas de tipo copa de piedra con esta esmeriladora. Esta esmeriladora no está diseñada para estos tipos de ruedas y el uso de dichos productos puede ocasionar lesiones personales graves.
3. Tenga cuidado de no dañar el eje, la brida (especialmente la superficie de instalación) o la contratuerca. Si estas piezas se dañan la rueda podría romperse.
4. Asegúrese de que la rueda no esté haciendo contacto con la pieza de trabajo antes de activar el interruptor.
5. Antes de utilizar la herramienta en una pieza de trabajo definitiva, déjala funcionar durante un rato. Observe si hay vibración o bamboleo que pueda indicar una instalación incorrecta o una rueda mal equilibrada.
6. Utilice la superficie especificada de la rueda para realizar el esmerilado.
7. No deje la herramienta funcionando. Mantenga en marcha la herramienta solamente cuando la esté sosteniendo con la mano.
8. No toque la pieza de trabajo inmediatamente después de la operación, ya que podría estar extremadamente caliente y provocarle quemaduras en la piel.
9. No toque los accesorios inmediatamente después de la operación, ya que podrían estar extremadamente calientes y provocarle quemaduras en la piel.
10. Siga las instrucciones del fabricante para la instalación y el uso correctos de las ruedas. Manipule y almacene las ruedas con cuidado.
11. No utilice bujes de reducción ni adaptadores separados para adaptar ruedas abrasivas con orificios grandes.
12. Utilice solamente las bridas especificadas para esta herramienta.
13. En el caso de las herramientas diseñadas para la instalación con ruedas de orificio roscado, asegúrese de que la rosca de la rueda sea lo suficientemente larga para acoplarse a la longitud del eje.
14. Verifique que la pieza de trabajo esté debidamente apoyada.
15. Tenga en cuenta que la rueda continuará girando después de haber apagado la herramienta.
16. Si el lugar de trabajo es extremadamente caluroso y húmedo, o si está muy contaminado con polvo conductor, utilice un interruptor de cortocircuito (30 mA) para garantizar la seguridad del operador.


17. No utilice la herramienta con ningún material que contenga asbesto.
18. Cuando use una rueda cortadora, trabaje siempre con el protector recolector de polvo de la rueda si es requerido por el reglamento local.
19. Los discos cortadores no se deben someter a ninguna presión lateral.
20. No utilice guantes de trabajo de tela durante la operación. Las fibras de los guantes de tela podrían introducirse en la herramienta ocasionando la rotura de ésta.
21. Antes de iniciar la operación, asegúrese de que no hay objetos enterrados tales como tuberías eléctricas, de gas o de agua en la pieza de trabajo. De lo contrario, podría ocasionar una descarga eléctrica, fuga eléctrica o fuga de gas.
22. Si hay una parte secante pegado a la rueda, no lo quite. El diámetro de la parte secante debe ser mayor que la contratuerca, la brida exterior y la brida interior.
23. Antes de instalar una rueda esmeriladora, compruebe siempre que la parte secante no presente anomalías como astillas o grietas.
24. Apriete la contratuerca adecuadamente. Apretar demasiado la rueda puede causar roturas y un apriete insuficiente puede causar vibración.

GUARDE ESTAS INSTRUCCIONES.

⚠ ADVERTENCIA: NO DEJE que la comodidad o familiaridad con el producto (a base de utilizarlo repetidamente) sustituya la estricta observancia de las normas de seguridad para dicho producto. **EL MAL USO** o el no seguir las normas de seguridad establecidas en este manual de instrucciones puede ocasionar lesiones personales graves.

Símbolos

A continuación se muestran los símbolos utilizados para la herramienta.

v	volts o voltios
A	amperes
Hz	hertz
~	corriente alterna
⌚	corriente alterna o directa
n ₀	velocidad sin carga
	Construcción clase II
... /min r/min	revoluciones o alternaciones por minuto, frecuencia de rotación
∅	diámetro

DESCRIPCIÓN DEL FUNCIONAMIENTO

PRECAUCIÓN: Asegúrese siempre de que la herramienta esté apagada y desconectada antes de ajustar o comprobar cualquier función en la herramienta.

Sistema de protección de la herramienta

La herramienta está equipada con un sistema de protección de la herramienta. Este sistema reduce o corta automáticamente la alimentación al motor para prolongar la vida de la herramienta. La herramienta reducirá su potencia o se detendrá automáticamente durante la operación si ésta se somete a alguna de las siguientes condiciones:

Protección contra sobrecarga

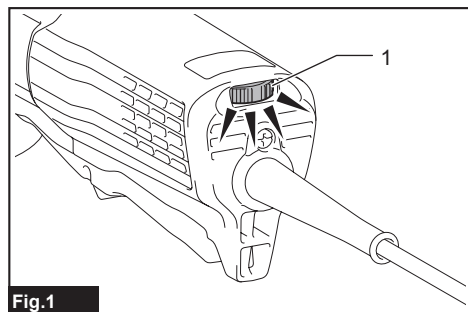
Cuando la herramienta se está utilizando de manera que causa que consuma una cantidad de corriente inusualmente alta, la herramienta reduce su potencia automáticamente sin que haya indicación alguna. En esta situación, elimine la causa de la sobrecarga para que la velocidad de rotación se recupere.

Protección contra sobrecalentamiento

Específico del país

Cuando la herramienta se sobrecaliente, la herramienta se detendrá automáticamente y la lámpara de indicación parpadeará en color rojo. En esta situación, espere a que la herramienta se enfríe. Puede volver a encender la herramienta después de que la lámpara cambie el color de rojo a verde.

Lámpara de indicación



► 1. Lámpara de indicación

La lámpara de indicación se ilumina en verde cuando la herramienta está enchufada.

Si la lámpara de indicación parpadea en rojo, la protección contra sobrecalentamiento, la tecnología de detección de retroalimentación activa o la función para evitar el reencendido accidental detiene la operación. En esta situación, apague la herramienta. Luego encienda la herramienta para volver a arrancarla.

Si la lámpara de indicación se enciende en rojo después de apagar la herramienta, la herramienta se ha sobrecalentado. En esta situación, deje enfriar la herramienta y espere hasta que la lámpara de indicación se ilumine en verde.

Selector de ajuste de velocidad

Solamente para el modelo GA4593 / GA5093

PRECAUCIÓN: El uso continuo de la herramienta a bajas velocidades durante un tiempo prolongado provocará la sobrecarga del motor y se calentará.

PRECAUCIÓN: El selector de ajuste de velocidad solo puede girarse hasta 5 y de regreso a 1. No lo fuerce más allá de 5 o 1 o la función de ajuste de velocidad podría dejar de funcionar.

La velocidad de giro puede cambiarse girando el selector de ajuste de velocidad hasta la configuración de un número dado de 1 a 5. Se logra una mayor velocidad cuando el selector se gira hacia el número 5. Y se logra una menor velocidad cuando se gira hacia el número 1. Consulte la tabla a continuación para ver la relación entre las configuraciones de los números en el selector y la velocidad aproximada de giro.

Número	Velocidad especificada
1	2 800 r/min
2	4 500 r/min
3	6 500 r/min
4	8 000 r/min
5	11 500 r/min

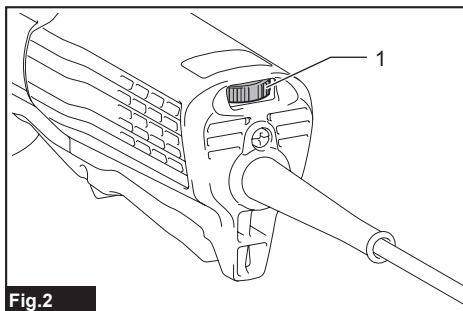


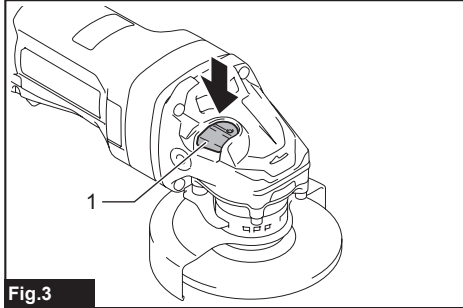
Fig.2

► 1. Selector de ajuste de velocidad

Bloqueo del eje

⚠ADVERTENCIA: Nunca accione el bloqueo del eje cuando éste se esté moviendo. Podría causar una lesión seria o daños a la herramienta.

Presione el bloqueo del eje para impedir que éste gire al instalar o extraer accesorios.



► 1. Bloqueo del eje

Accionamiento del interruptor

⚠PRECAUCIÓN: Antes de conectar la herramienta, compruebe siempre que la palanca interruptora se accione debidamente y que regrese a la posición de apagado una vez que se suelte.

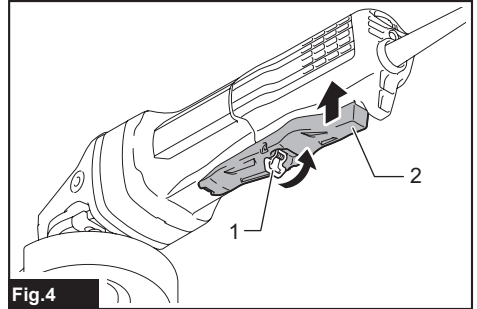
⚠PRECAUCIÓN: Por su seguridad, esta herramienta está equipada con una palanca de desbloqueo para evitar la puesta en marcha accidental de la herramienta. NUNCA use la herramienta si se activa simplemente al jalar la palanca interruptora sin presionar la palanca de desbloqueo. Lleve la herramienta al centro de servicio autorizado para que la reparen adecuadamente ANTES de volver a usarla.

⚠PRECAUCIÓN: No jale fuerte la palanca interruptora sin jalar la palanca de desbloqueo. Esto podría dañar el interruptor.

⚠PRECAUCIÓN: NUNCA fije con cinta adhesiva ni impida el funcionamiento ni la finalidad de la palanca de desbloqueo.

Para evitar que la palanca interruptora sea jalada accidentalmente, se proporciona una palanca de desbloqueo.

Para arrancar la herramienta, jale la palanca de desbloqueo hacia el operador y luego jale la palanca interruptora. Para detener la herramienta, suelte la palanca interruptora.



► 1. Palanca de desbloqueo 2. Palanca interruptora

Función electrónica

Tecnología de detección de retroalimentación activa

⚠PRECAUCIÓN: Sostenga la herramienta firmemente hasta que se detenga la rotación.

La herramienta detecta electrónicamente las situaciones en las que hay riesgo de que la rueda o el accesorio puedan saltar. En tal situación, la herramienta apaga automáticamente la energía para evitar que el eje siga girando (esto no evita el retroceso brusco).

En este momento, la lámpara de indicación parpadea en rojo y muestra que la tecnología de detección de retroalimentación activa está funcionando.

Para volver a arrancar la herramienta, apague primero la herramienta, elimine la causa del descenso repentino en la velocidad de rotación y luego encienda la herramienta.

Función para evitar el reencendido accidental

Al enchufar la herramienta mientras el interruptor está en ENCENDIDO, la herramienta no arranca.

En este momento, la lámpara de indicación parpadea en rojo, y muestra que la función para evitar el reencendido accidental funciona.

Para arrancar la herramienta, apague el interruptor, y vuélvalo a encender.

Control de velocidad constante

Es posible obtener un buen acabado, ya que la velocidad de giro se mantiene constante incluso en condición de carga.

Función de inicio suave

La función de inicio suave reduce la reacción al arranque.

Freno mecánico

Solamente para el modelo GA4593 / GA4594 / GA5093 / GA5094

El freno mecánico es activado una vez que la herramienta se ha apagado.

El freno no funciona cuando el suministro de corriente es desconectado, aun con el interruptor encendido.

MONTAJE

PRECAUCIÓN: Asegúrese siempre de que la herramienta esté apagada y desconectada antes de realizar cualquier trabajo en la misma.

Instalación de la empuñadura lateral (mango)

PRECAUCIÓN: Antes de realizar una operación, asegúrese siempre de que la empuñadura lateral esté instalada firmemente.

Atornille firmemente la empuñadura lateral en la posición de la herramienta tal como se muestra en la figura.

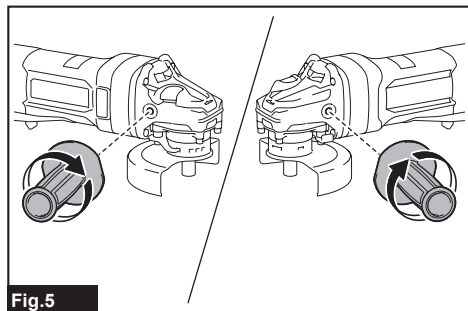


Fig.5

Instalación o extracción del protector de la rueda

ADVERTENCIA: Cuando se utilice una rueda de centro hundido, disco abatible, rueda flexible o rueda de cepillo de alambre, el protector de la rueda deberá estar instalado en la herramienta de tal forma que el lado cerrado del protector siempre quede orientado hacia el operador.

ADVERTENCIA: Asegúrese de que el protector de la rueda esté bloqueado firmemente mediante la palanca de bloqueo con uno de los orificios del protector de la rueda.

ADVERTENCIA: Cuando use una rueda cortadora abrasiva o de diamante, asegúrese de utilizar únicamente el protector especial de la rueda diseñado para el uso con ruedas cortadoras.

Para rueda de centro hundido, disco abatible, rueda flexible, rueda de cepillo de alambre / rueda cortadora abrasiva, rueda de diamante

1. Mientras oprime la palanca de bloqueo, coloque el protector de la rueda alineadas con las muescas en la caja de cojinetes.

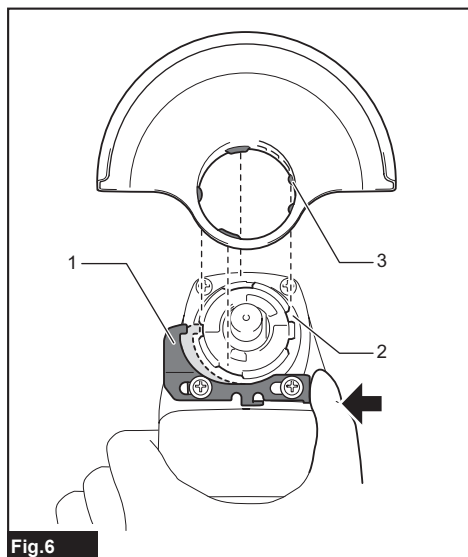


Fig.6

► 1. Palanca de bloqueo 2. Muesca 3. Protuberancia

2. Mientras oprime la palanca de bloqueo hacia A, mantenga presionadas las porciones de B del protector de la rueda, como se muestra en la figura.

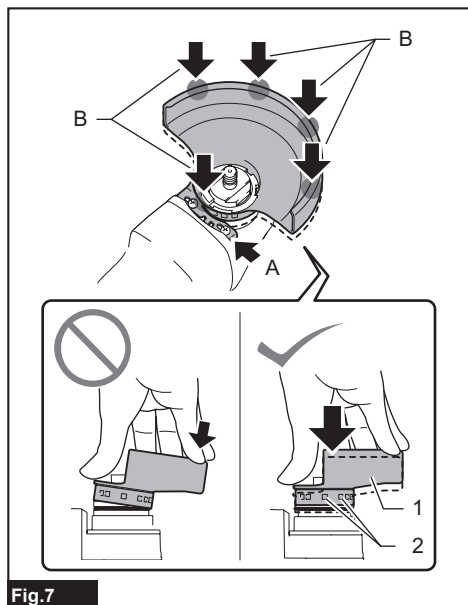


Fig.7

► 1. Protector de la rueda 2. Orificio

NOTA: Oprima el protector de la rueda de forma nivelada. De lo contrario, no podrá asegurar el protector de la rueda.

3. Mientras oprime la palanca de bloqueo hacia A, gire el protector de la rueda hacia C, y luego cambie el ángulo del protector de la rueda de acuerdo con el trabajo, de manera que el operador pueda estar protegido. Alinee la palanca de bloqueo con uno de los orificios del protector de la rueda, y luego suelte la palanca de bloqueo para bloquear el protector de la rueda.

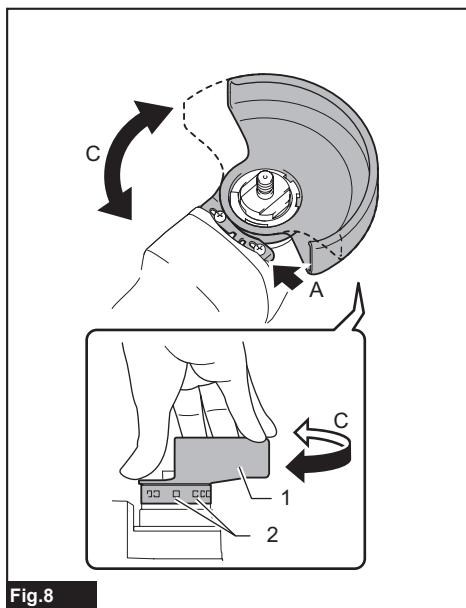


Fig.8

► 1. Protector de la rueda 2. Orificio

Para extraer el protector de la rueda, siga el procedimiento de instalación en orden inverso.

Aditamento del protector de la rueda de corte a presión

Accesorio opcional

NOTA: Para operaciones de corte, se puede utilizar un aditamento del protector de la rueda de corte a presión con el protector de la rueda (para la rueda de esmerilado).

No disponible en algunos países.

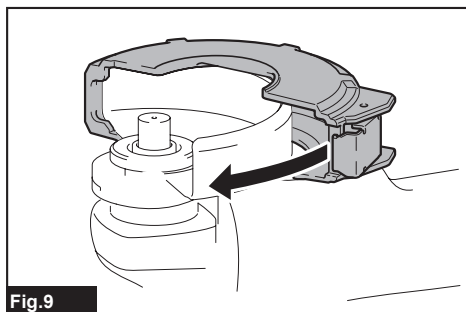


Fig.9

Instalación o extracción de una rueda de centro hundido o disco abatible

Accesorio opcional

⚠ADVERTENCIA: Cuando se utilice una rueda de centro hundido o disco abatible, el protector de la rueda deberá estar instalado en la herramienta de tal forma que el lado cerrado del protector siempre quede orientado hacia el operador.

⚠ADVERTENCIA: Asegúrese de que la pieza de instalación de la brida interior encaje perfectamente en el diámetro interior de la rueda de centro hundido / disco abatible. La instalación de la brida interior en el lado incorrecto puede ocasionar una vibración peligrosa.

Instale la brida interior en el eje. Asegúrese que la parte dentada de la brida interior encaje en la parte recta del fondo del eje. Coloque la rueda de centro hundido / disco abatible en la brida interior y atornille la contratuerca en el eje.

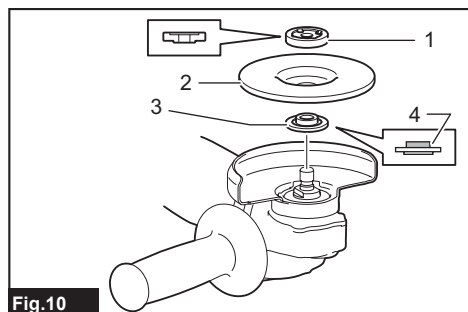


Fig.10

- 1. Contratuerca 2. Rueda de centro hundido
3. Brida interior 4. Pieza de instalación

Para apretar la contratuerca, presione el bloqueo del eje firmemente para que el eje no pueda girar, después apriete firmemente usando la llave de contratuerca en el sentido de las manecillas del reloj.

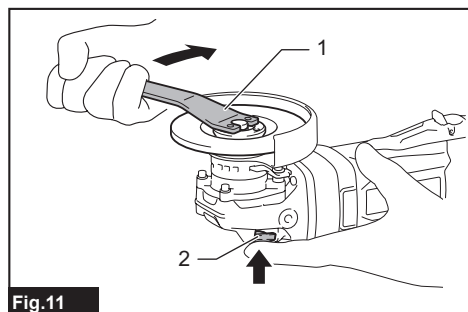


Fig.11

- 1. Llave de contratuerca 2. Bloqueo del eje

Para extraer la rueda, siga el procedimiento de instalación en orden inverso.

Instalación o extracción de una rueda flexible

Accesorio opcional

⚠ADVERTENCIA: Utilice siempre el protector suministrado cuando la rueda flexible esté instalada en la herramienta. La rueda puede desintegrarse durante el uso y el protector ayuda a reducir las posibilidades de una lesión personal.

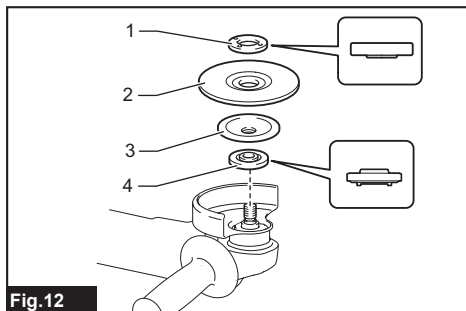


Fig.12

- 1. Contratuerca 2. Rueda flexible 3. Almohadilla de soporte 4. Brida interior

Siga las instrucciones para la rueda de centro hundido pero utilice también una almohadilla de soporte sobre la rueda.

Instalación o extracción de un disco abrasivo

Accesorio opcional

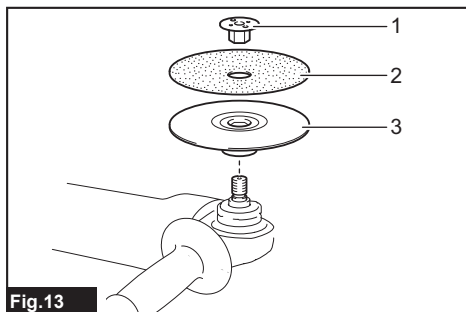


Fig.13

- 1. Contratuerca de lijado 2. Disco abrasivo 3. Plato de goma

1. Instale el plato de goma en el eje.
2. Coloque el disco en el plato de goma y atornille la contratuerca de lijado en el eje.
3. Sostenga el eje con el bloqueo del eje y apriete firmemente la contratuerca de lijado usando la llave de contratuerca en el sentido de las manecillas del reloj.

Para extraer el disco, siga el procedimiento de instalación en orden inverso.

NOTA: Utilice los accesorios para lijadora especificados en este manual. Estos deberán adquirirse por separado.

Instalación de la rueda cortadora abrasiva / rueda de diamante

Accesorio opcional

⚠️ ADVERTENCIA: Cuando use una rueda cortadora abrasiva o de diamante, asegúrese de utilizar únicamente el protector especial de la rueda diseñado para el uso con ruedas cortadoras.

⚠️ ADVERTENCIA: NUNCA utilice una rueda cortadora para el esmerilado lateral.

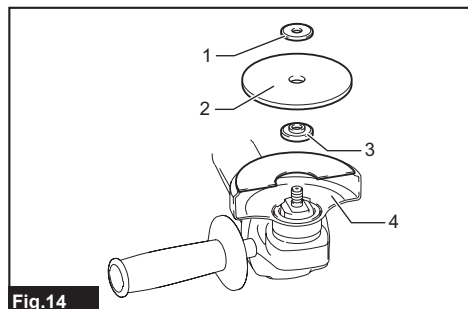


Fig.14

- 1. Contratuerca 2. Rueda o disco de corte abrasivo / rueda de diamante 3. Brida interior 4. Protector para rueda cortadora abrasiva / rueda de diamante

Para la instalación, siga las instrucciones para la rueda de centro hundido.

La dirección de montaje para la contratuerca y la brida interior varía según el tipo y grosor de la rueda.

Consulte las siguientes figuras.

Cuando se instale la rueda cortadora abrasiva:

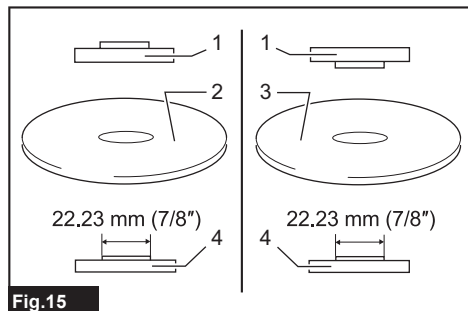


Fig.15

- 1. Contratuerca 2. Rueda cortadora abrasiva (con un grosor menor de 4 mm (5/32")) 3. Rueda cortadora abrasiva (con un grosor de 4 mm (5/32") o mayor) 4. Brida interior

Cuando se instale la rueda de diamante:

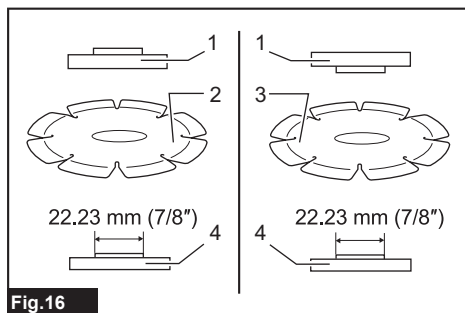


Fig.16

- 1. Contratuerca 2. Rueda de diamante (con un grosor menor de 4 mm (5/32")) 3. Rueda de diamante (con un grosor de 4 mm (5/32") o mayor) 4. Brida interior

Instalación de la carda de alambre

Accesorio opcional

⚠️ PRECAUCIÓN: No utilice un cepillo que esté dañado o desequilibrado. El uso de un cepillo dañado podría aumentar la posibilidad de lesiones a causa del contacto con alambres rotos del cepillo.

Coloque la herramienta boca abajo para permitir un fácil acceso al eje.

Quite cualquier accesorio que haya en el eje. Enrosque la carda de alambre en el eje y apriete con la llave suministrada.

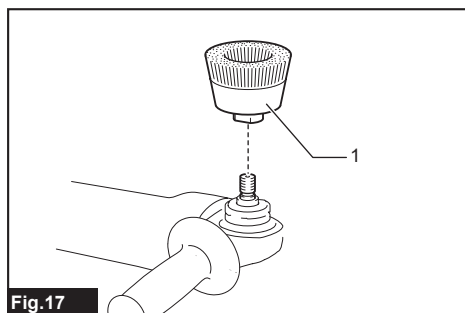


Fig.17

- 1. Carda de alambre

Instalación de la rueda de cepillo de alambre

Accesorio opcional

⚠PRECAUCIÓN: No utilice una rueda de cepillo de alambre que esté dañada o desequilibrada.

El uso de una rueda de cepillo de alambre dañada podría aumentar la posibilidad de lesiones a causa del contacto con alambres rotos.

⚠PRECAUCIÓN: SIEMPRE utilice el protector con ruedas de cepillo de alambre, asegurándose de que el diámetro de la rueda encaje dentro del protector. La rueda puede desintegrarse durante el uso y el protector ayuda a reducir las posibilidades de una lesión personal.

Coloque la herramienta boca abajo para permitir un fácil acceso al eje.

Quite cualquier accesorio que haya en el eje. Enrosque la rueda de cepillo de alambre en el eje y apriete con las llaves.

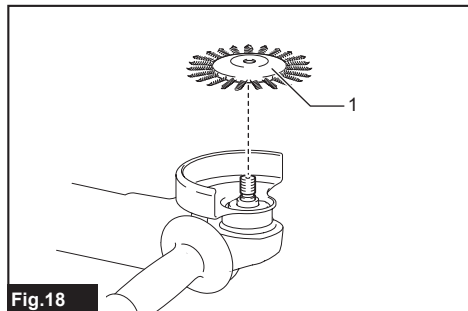


Fig.18

► 1. Rueda de cepillo de alambre

Instalación del cortador de orificios

Accesorio opcional

Coloque la herramienta boca abajo para permitir un fácil acceso al eje.

Quite cualquier accesorio del eje. Enrosque el cortador de orificios sobre el eje, y apriételo con la llave suministrada.

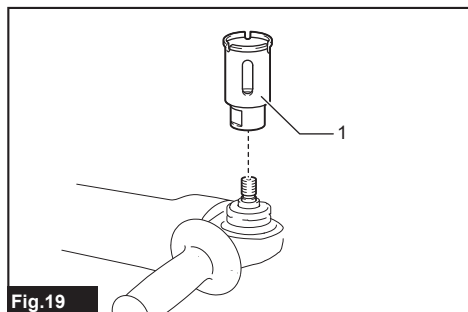


Fig.19

► 1. Cortador de orificios

Instalación del protector recolector de polvo de la rueda para esmerilado

Accesorio opcional

Con accesorios opcionales, esta herramienta puede utilizarse para cepillar superficies de concreto.

⚠PRECAUCIÓN: El protector recolector de polvo de la rueda para esmerilado solo se debe usar para cepillar superficies de concreto con una rueda de diamante de tipo copa. No utilice este protector con ningún otro accesorio de corte o para ningún otro propósito.

⚠PRECAUCIÓN: Antes de la operación, asegúrese de que hay conectada una aspiradora a la herramienta, y de que está encendida.

Coloque la herramienta boca abajo, e instale el protector recolector de polvo de la rueda.

Instale la brida interior en el eje.

Coloque la rueda de diamante de tipo copa en la brida interior, y atornille la contratuerca en el eje.

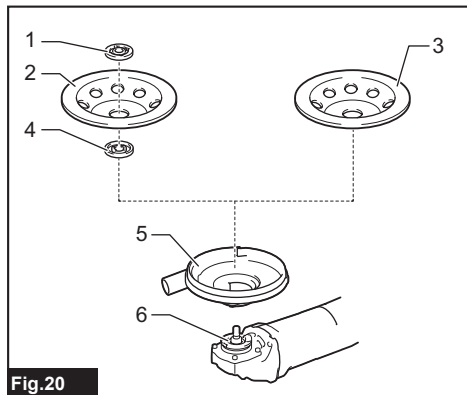


Fig.20

► 1. Contratuerca 2. Rueda de diamante de tipo copa 3. Rueda de diamante de tipo copa con adaptador central circular 4. Brida interior 5. Protector recolector de polvo de la rueda 6. Caja de cojinetes

NOTA: Para mayor información sobre cómo instalar el protector recolector de polvo de la rueda, consulte el manual del protector recolector de polvo de la rueda.

Instalación del protector recolector de polvo de la rueda para corte

Accesorio opcional

Con accesorios opcionales, esta herramienta puede utilizarse para cortar materiales en piedra.

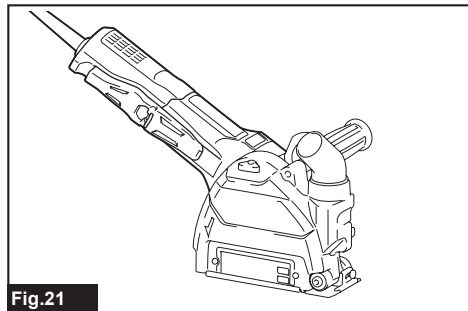


Fig.21

NOTA: Para mayor información sobre cómo instalar el protector recolector de polvo de la rueda, consulte el manual del protector recolector de polvo de la rueda.

Conexión de una aspiradora

Accesorio opcional

ADVERTENCIA: Nunca aspire las partículas metálicas generadas por la operación de esmerilado/corte/lijado. Las partículas metálicas generadas por dichas operaciones están demasiado calientes y pueden prender fuego al polvo y al filtro en el interior de la aspiradora.

Para evitar un ambiente lleno de polvo a causa del corte de mampostería, utilice un protector recolector de polvo de la rueda y una aspiradora. Para ver lo relativo al ensamblado y uso del protector recolector de polvo de la rueda, consulte el manual de instrucciones suministrado con éste.

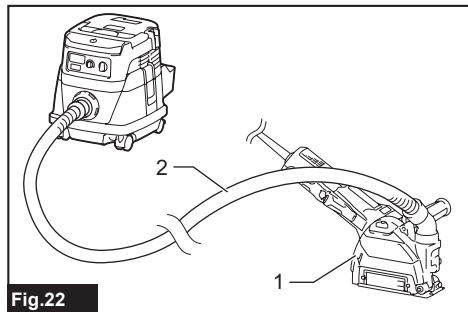


Fig.22

- 1. Protector recolector de polvo de la rueda
- 2. Manguera de la aspiradora

Instalación y desinstalación del aditamento para la cubierta contra polvo

Accesorio opcional

PRECAUCIÓN: Asegúrese siempre de que la herramienta está apagada y desconectada antes de instalar o desinstalar el aditamento para la cubierta contra polvo. De lo contrario, se pueden producir lesiones personales o daños a la herramienta.

Instale el aditamento para la cubierta contra polvo a cada posición especificada. Para más detalles, consulte el manual de instrucciones del aditamento para la cubierta contra polvo.

AVISO: Limpie el aditamento para la cubierta contra polvo cuando esté obstruido con polvo o materias extrañas. La operación continua con un aditamento para la cubierta contra polvo obstruido podría dañar la herramienta.

OPERACIÓN

ADVERTENCIA: Nunca deberá ser necesario forzar la herramienta. El peso de la herramienta aplica la presión adecuada. Una fuerza y presión excesivas podrían ocasionar una peligrosa rotura de la rueda.

ADVERTENCIA: SIEMPRE reemplace la rueda si la herramienta llega a caerse durante el esmerilado.

ADVERTENCIA: NUNCA pegue o golpee la rueda contra la pieza de trabajo.

ADVERTENCIA: Evite los rebotes y enganchamientos de la rueda, especialmente cuando trabaje en esquinas, bordes filosos, etc. Esto podría ocasionar la pérdida de control y un retroceso brusco.

ADVERTENCIA: NUNCA utilice esta herramienta con discos para cortar madera ni otros discos de la sierra. Los discos de ese tipo cuando se utilizan en una esmeriladora con frecuencia ocasionan retrocesos bruscos y pérdida de control provocando a su vez lesiones personales.

ADVERTENCIA: El uso continuo de una rueda desgastada podrá ocasionar la explosión de la rueda y lesiones personales graves.

PRECAUCIÓN: Nunca encienda la herramienta cuando ésta esté en contacto con la pieza de trabajo, esto podría ocasionar lesiones al operador.

PRECAUCIÓN: Use siempre gafas de seguridad o careta durante la operación.

PRECAUCIÓN: Después de la operación, apague siempre la herramienta y espere hasta que la rueda se haya detenido por completo antes de dejar la herramienta.

PRECAUCIÓN: SIEMPRE sujete la herramienta firmemente con una mano en la carcasa y la otra en la empuñadura lateral (mango).

NOTA: Se puede utilizar una rueda de doble propósito tanto para operaciones de esmerilado como de corte.

Consulte la "Operación con la rueda/disco" para la operación de esmerilado, y consulte la "Operación con corte abrasivo/rueda de diamante" para la operación de corte.

Operación con rueda / disco

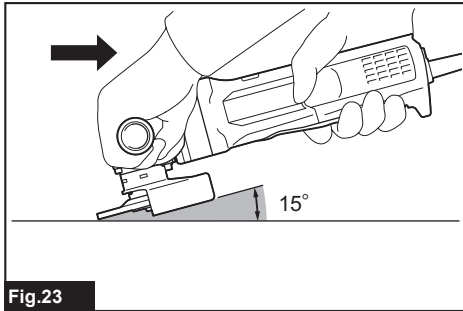


Fig.23

Encienda la herramienta y después aplique la rueda o disco a la pieza de trabajo.

Procure en general mantener el borde de la rueda o disco a un ángulo de aproximadamente 15° con respecto a la superficie de la pieza de trabajo.

Durante el periodo de uso inicial de una rueda nueva, no trabaje con la esmeriladora en dirección hacia adelante ya que podría cortar la pieza de trabajo. Una vez que el borde de la rueda se haya redondeado con el uso, se podrá trabajar con la rueda tanto en dirección hacia adelante como hacia atrás.

Operación con una rueda o disco de corte abrasivo / rueda de diamante

Accesorio opcional

⚠ADVERTENCIA: Evite trabar la rueda o aplicar una presión excesiva. No intente hacer un corte de profundidad excesiva. Aplicar presión excesiva a la rueda incrementa la carga y susceptibilidad a que la rueda se tuerza o atasque durante el corte, y la posibilidad de que se genere un retroceso brusco, la rotura de la rueda y el sobrecalentamiento del motor.

⚠ADVERTENCIA: No empiece con la operación de corte en la pieza de trabajo. Permita que la rueda alcance su velocidad completa y se reintroduzca con cuidado en el corte desplazando la herramienta hacia adelante sobre la superficie de la pieza de trabajo. La rueda puede atascarse, salirse del camino o generar un retroceso brusco si la herramienta eléctrica es reiniciada estando en la pieza de trabajo.

⚠ADVERTENCIA: Durante las operaciones de corte, no cambie nunca el ángulo de la rueda. La aplicación de presión lateral en la rueda cortadora (igual que en el esmerilado) hará que la rueda se agriete y se rompa, ocasionando lesiones personales graves.

⚠ADVERTENCIA: Una rueda de diamante deberá utilizarse perpendicularmente al material que se esté cortando.

Ejemplo de uso: operación con la rueda cortadora abrasiva

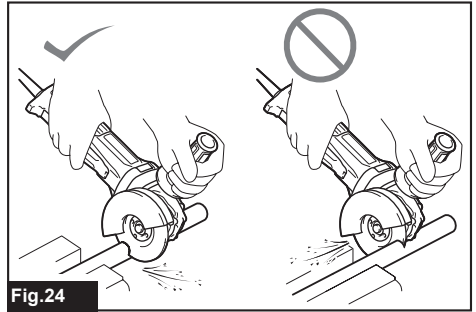


Fig.24

Ejemplo de uso: operación con la rueda de diamante

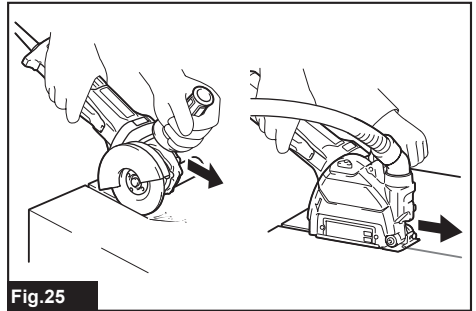


Fig.25

Operación con carda de alambre

Accesorio opcional

⚠PRECAUCIÓN: Verifique la operación del cepillo haciendo funcionar la herramienta sin carga y asegurándose de que no haya nadie enfrente ni en línea con el cepillo.

Ejemplo de uso: operación con la carda de alambre

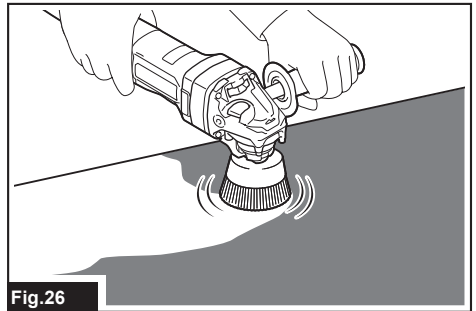


Fig.26

AVISO: Cuando utilice el cepillo, evite aplicar mucha presión que haga que los alambres se doblen demasiado. Esto podría provocar una rotura prematura.

Operación con rueda de cepillo de alambre

Accesorio opcional

⚠PRECAUCIÓN: Verifique la operación de la rueda de cepillo de alambre haciendo funcionar la herramienta sin carga y asegurándose de que no haya nadie enfrente ni en línea con la rueda de cepillo de alambre.

Ejemplo de uso: operación con la rueda de cepillo de alambre

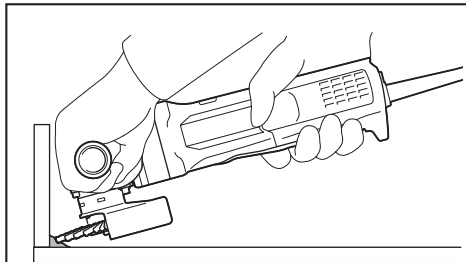


Fig.27

AVISO: Cuando utilice la rueda de cepillo de alambre, evite aplicar mucha presión que haga que los alambres se doblen demasiado. Esto podría provocar una rotura prematura.

Operación con el cortador de orificios

Accesorio opcional

⚠PRECAUCIÓN: Verifique el funcionamiento del cortador de orificios haciendo funcionar la herramienta sin carga, asegurándose de que no haya nadie frente al cortador de orificios.

AVISO: No incline la herramienta durante la operación. Esto podría provocar una rotura prematura.

Ejemplo de uso: Operación con el cortador de orificios



Fig.28

MANTENIMIENTO

⚠PRECAUCIÓN: Asegúrese siempre de que la herramienta esté apagada y desconectada antes de intentar realizar una inspección o mantenimiento.

AVISO: Nunca use gasolina, bencina, diluyente (tiner), alcohol o sustancias similares. Puede que esto ocasione grietas o descoloramiento.

Para mantener la SEGURIDAD y FIABILIDAD del producto, las reparaciones, y cualquier otra tarea de mantenimiento o ajuste deberán ser realizadas en centros de servicio autorizados o de fábrica Makita, empleando siempre repuestos Makita.

Limpieza del orificio de ventilación

La herramienta y sus orificios de ventilación deben mantenerse limpios. Limpie regularmente los orificios de ventilación de la herramienta o siempre que los orificios empiecen a obstruirse.

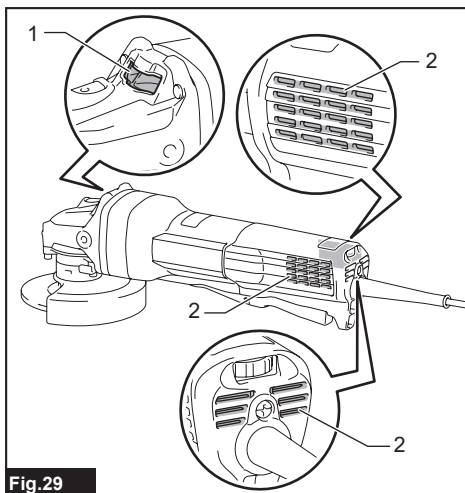


Fig.29

► 1. Ventilación de salida 2. Ventilación de entrada

COMBINACIÓN DE APLICACIONES Y ACCESORIOS

Accesorio opcional

⚠️ PRECAUCIÓN: El uso de la herramienta con protectores incorrectos puede generar los siguientes riesgos.

- Cuando se utiliza un protector de la rueda cortadora para el esmerilado de una superficie, el protector de la rueda podría interferir con la pieza de trabajo y causar un control deficiente.
- Cuando se utiliza un protector de la rueda para esmerilado para operaciones de corte con ruedas abrasivas y ruedas de diamante adheridas, existe un mayor riesgo de exposición a ruedas giratorias, chispas y partículas expulsadas, así como la exposición a fragmentos de rueda en caso de explosión de la rueda.
- Cuando se utiliza un protector de la rueda cortadora o protector de la rueda para esmerilado para operaciones superficiales con ruedas de diamante de tipo copa, el protector de la rueda podría interferir con la pieza de trabajo y causar un control deficiente.
- Cuando se utiliza un protector de la rueda cortadora o protector de la rueda para esmerilado con un cepillo de alambre tipo rueda con un grosor mayor que el grosor máximo especificado en las "ESPECIFICACIONES", los alambres podrían engancharse en el protector y provocar la rotura de los alambres.
- El uso de protectores recolectores de polvo de la rueda para operaciones de corte y de superficies en concreto o mampostería reduce el riesgo de exposición al polvo.
- Cuando utilice ruedas montadas en brida de doble propósito (esmerilado y corte abrasivo combinados), utilice únicamente un protector de la rueda cortadora.

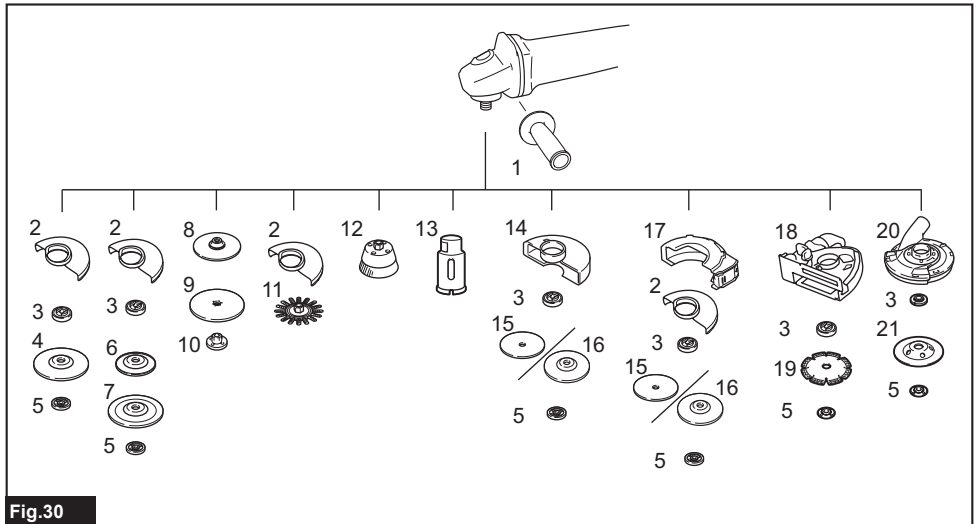


Fig.30

-	Aplicación	Modelo de 115 mm (4-1/2")	Modelo de 125 mm (5")
1	-	Empuñadura lateral	
2	-	Protector de la rueda (para rueda de esmerilado)	
3	-	Brida interior	
4	Esmerilado/lijado	Rueda de centro hundido / disco abatible	
5	-	Contratuercas	
6	-	Almohadilla de soporte	
7	Esmerilado/lijado	Rueda flexible	
8	-	Plato de goma 100	Plato de goma 115
9	Lijado	Disco abrasivo	
10	-	Contratuercas de lijado	
11	Cepillado de alambre	Rueda de cepillo de alambre	

	Aplicación	Modelo de 115 mm (4-1/2")	Modelo de 125 mm (5")
12	Cepillado de alambre	Carda de alambre	
13	Corte de orificios	Cortador de orificios	
14	-	Protector de la rueda (para rueda cortadora)	
15	Corte	Rueda cortadora abrasiva / Rueda de diamante	
16	Esmerilado/corte	Rueda de doble propósito	
17	-	Aditamento del protector de la rueda de corte	
18	-	Protector recolector de polvo de la rueda para corte	
19	Corte	Rueda de diamante	
20	-	Protector recolector de polvo de la rueda para esmerilado	
21	Esmerilado	Rueda de diamante de tipo copa	
-	-	Llave de contratuerca	
-	-	Aditamento para la cubierta contra polvo	

NOTA: Para otros tipos de protectores que se pueden conectar a una aspiradora, consulte el manual de instrucciones de cada protector.

ACCESORIOS Opcionales

⚠PRECAUCIÓN: Estos accesorios o aditamentos están recomendados para utilizarse con su herramienta Makita especificada en este manual.

El empleo de cualquier otro accesorio o aditamento puede conllevar el riesgo de lesiones personales. Utilice los accesorios o aditamentos solamente para su fin establecido.

Si necesita cualquier ayuda para más detalles en relación con estos accesorios, pregunte a su centro de servicio local Makita.

- Accesorios enlistados en la «COMBINACIÓN DE APLICACIONES Y ACCESORIOS»

NOTA: Algunos de los artículos en la lista pueden incluirse en el paquete de la herramienta como accesorios estándar. Éstos pueden variar de país a país.

GARANTÍA LIMITADA DE MAKITA

Ésta Garantía no aplica para México

Consulte la hoja de la garantía anexa para ver los términos más vigentes de la garantía aplicable a este producto. En caso de no disponer de esta hoja de garantía anexa, consulte los detalles sobre la garantía descritos en el sitio web de su país respectivo indicado a continuación.

Estados Unidos de América: www.makitatools.com

Canadá: www.makita.ca

Otros países: www.makita.com

< USA only >

WARNING

Some dust created by power sanding, sawing, grinding, drilling, and other construction activities contains chemicals known to the State of California to cause cancer, birth defects or other reproductive harm. Some examples of these chemicals are:

- lead from lead-based paints,
- crystalline silica from bricks and cement and other masonry products, and
- arsenic and chromium from chemically-treated lumber.

Your risk from these exposures varies, depending on how often you do this type of work. To reduce your exposure to these chemicals: work in a well ventilated area, and work with approved safety equipment, such as those dust masks that are specially designed to filter out microscopic particles.

< Sólo en los Estados Unidos >

ADVERTENCIA

Algunos polvos creados por el lijado, aserrado, esmerilado, taladrado y otras actividades de la construcción contienen sustancias químicas reconocidas por el Estado de California como causantes de cáncer, defectos de nacimiento y otros peligros de reproducción. Algunos ejemplos de estos productos químicos son:

- plomo de pinturas a base de plomo,
- sílice cristalino de ladrillos y cemento y otros productos de albañilería, y
- arsénico y cromo de maderas tratadas químicamente.

El riesgo al que se expone varía, dependiendo de la frecuencia con la que realice este tipo de trabajo. Para reducir la exposición a estos productos químicos: trabaje en un área bien ventilada y póngase el equipo de seguridad indicado, tal como las máscaras contra polvo que están especialmente diseñadas para filtrar partículas microscópicas.

Makita Corporation

3-11-8, Sumiyoshi-cho,
Anjo, Aichi 446-8502 Japan

www.makita.com

885984-948
GA4593-1
EN, FRCA, ESMX
20220712