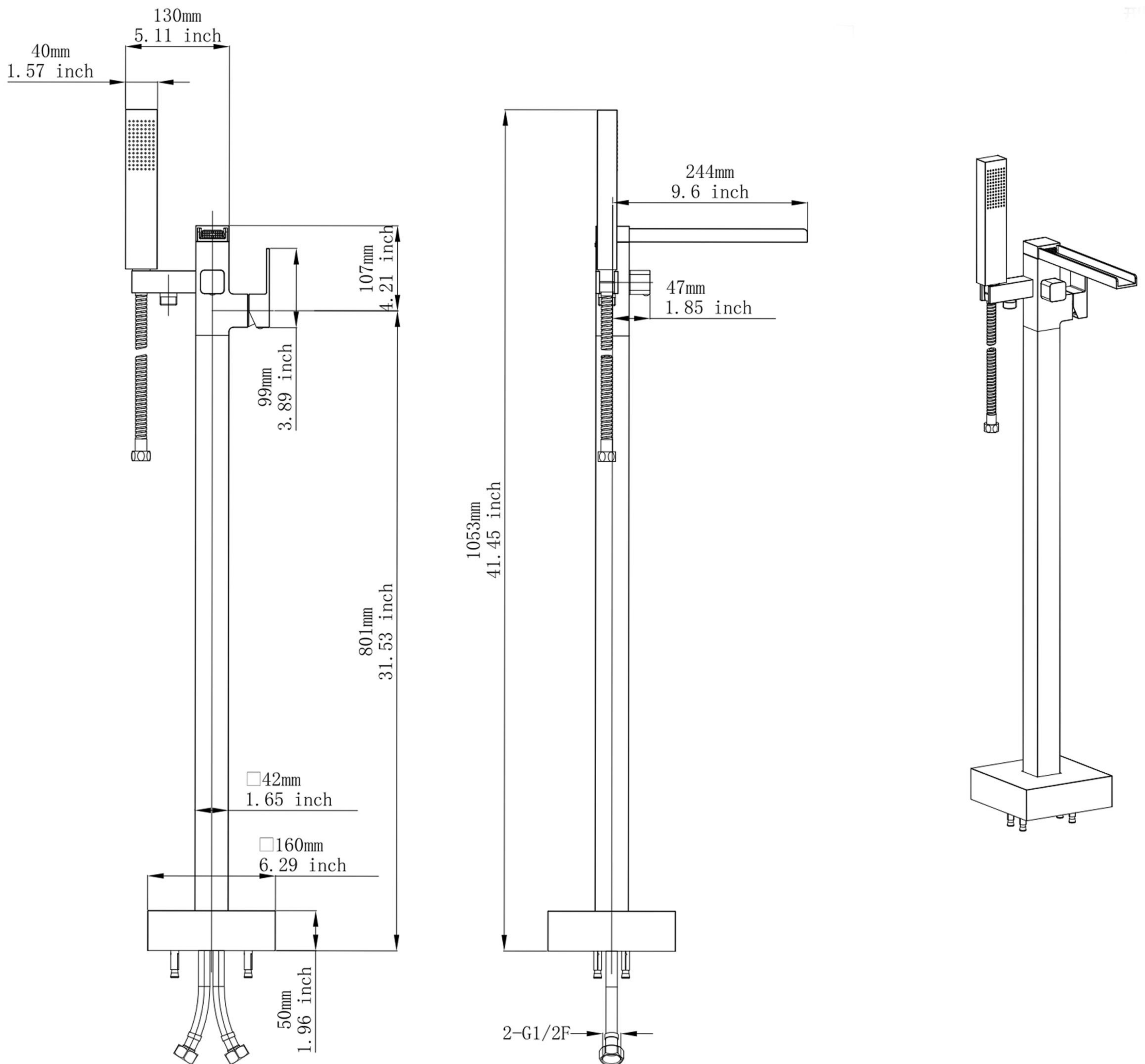


Dimension/Specification



Sku No. 8002