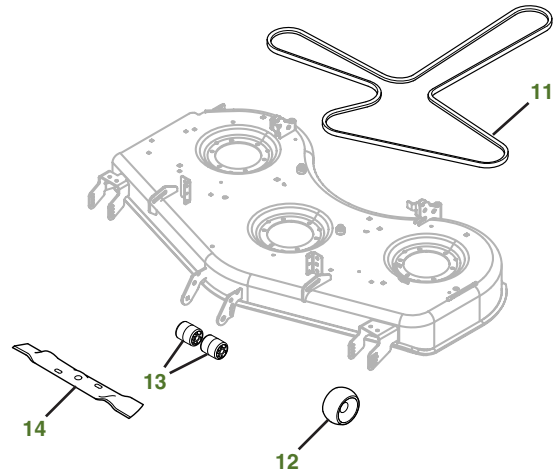
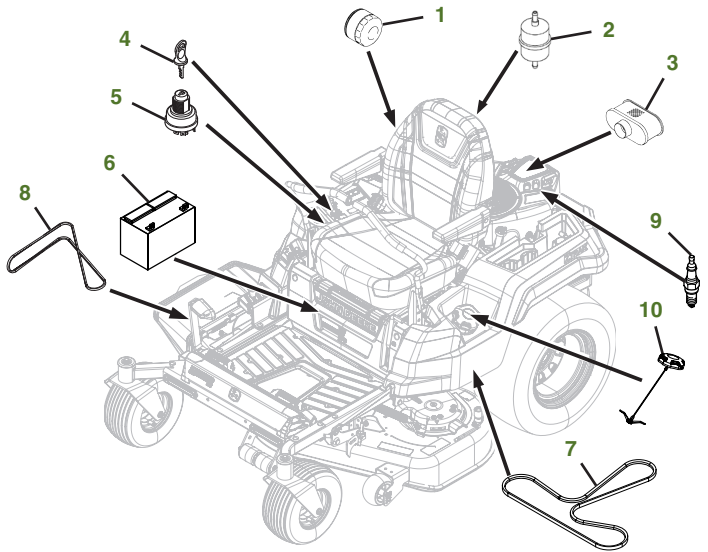


MAINTENANCE REMINDER SHEET

Z530R with 60" High Capacity Deck



Tractor S/N

Deck S/N

Key	Part No.	Description	Key	Part No.	Description
1	AM125424	ENGINE OIL FILTER	8	UC20041	BELT-POWER FLOW
2	UC21217	FUEL FILTER	9	M805853	SPARK PLUG
3	MIU12555	AIR FILTER	10	AM146138	FUEL CAP
4	AUC12681	KEY	11	M172963	BELT-MOWER
5	AUC14659	IGNITION SWITCH	12	TCU18744	GAGE WHEEL
6	TY25221A	WET CHARGED BATTERY	13	M113955	FRONT ROLLER
7	M172116	BELT-TRAC DRIVE	14	M163983	BLADE- HIGH CAPACITY 60"
				UC18055	BLADE-MULCHING 60"
				BUC11190	MULCHCONTROL™ KIT

Parts Needed in First 250 Hours of Operation

Qty	Part No	Item	Qty or Capacity	Change Interval In Hours
10	TY22029	Engine Oil Turf-Gard™ 10W30	1.9 L (2.0 qt)	50/100/150/200/250
5	AM125424	Engine Oil Filter	1	50/100/150/200/250
2	MIU12555	Air Filter	1	100/200
2	UC21217	Fuel Filter	1	100/200
4	M805853	Spark Plug	2	100/200
2	TY24416	John Deere Multi-Purpose HD Lithium Complex Grease		As Needed

"As Needed" Parts

Qty	Part No	Item
1	AM130907	Mower Deck Leveling Gauge
1	TY26518	Grease Gun

Home Maintenance Kit

Unit	Kit Number
Z545R	LG265

CLICK PART NUMBER TO BUY