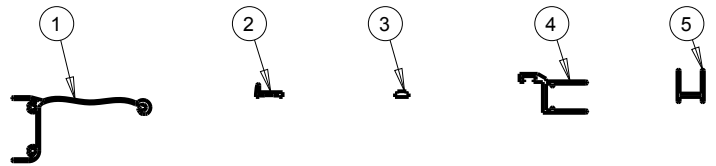
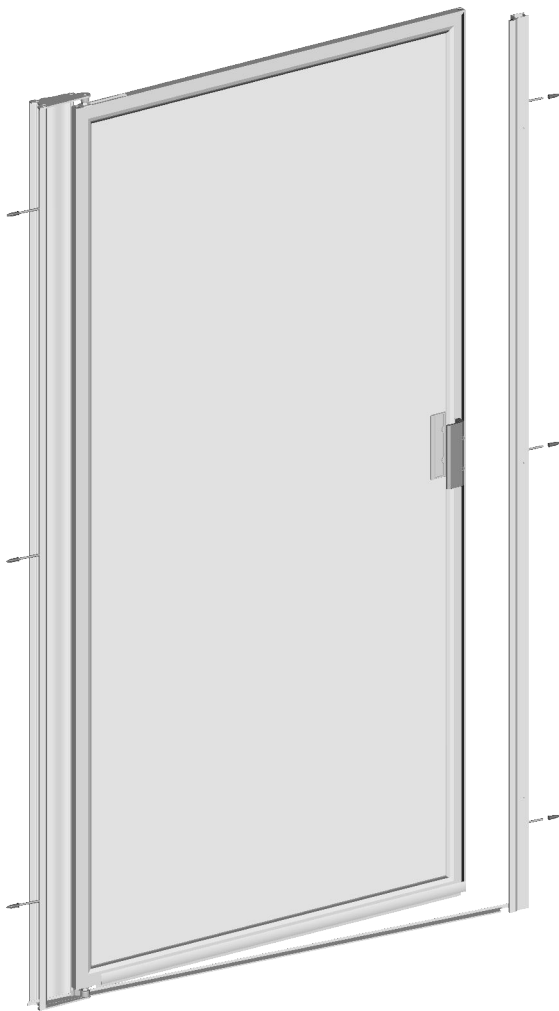
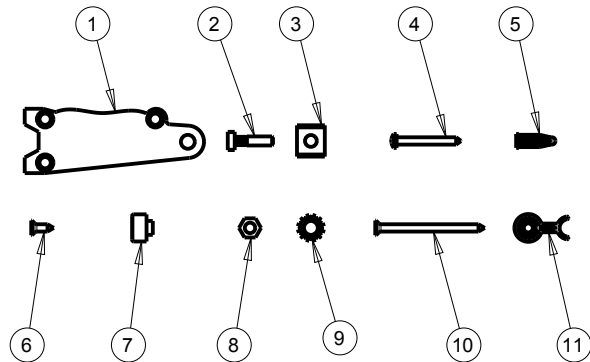


Framed Pivoting Shower Door Kit

Framed Pivoting Shower Track 32" and 34"



ITEM NO.	DESCRIPTION	QTY	MATERIAL
1	PIVOT JAMB	1	AL6463
2	BOTTOM RAIL	1	AL6463
3	MAGNETIC STRIP	1	MAGNETIC STRIP
4	STRIKE JAMB	1	AL6463
5	STRIKE SIDE WALL JAMB	1	AL6463



ITEM NO.	DESCRIPTION	QTY	MATERIAL
1	MOUNTING PLATE	2	AL6463
2	PIVOT PIN	2	STAINLESS STEEL
3	SPANNER WASHER	2	STAINLESS STEEL
4	#6 X 3/8" "B"- POINT SCREW	3	STAINLESS STEEL
5	WALL ANCHOR	6	POLYPROPYLENE
6	#8 X 1/2" FH SMS SCREW	6	STAINLESS STEEL
7	PIVOT BUSHING (TOP)	1	NYLON
8	HEXAGONAL NUT	2	STAINLESS STEEL
9	WASHER	2	STAINLESS STEEL
10	#8 X 1 1/2" FH SMS SCREW	6	STAINLESS STEEL
11	PIVOT BUSHING (BOTTOM)	1	NYLON

MATERIALS:

Anodized Aluminum Extrusions (Track)

INSTALLATION:

Detailed Instructions and Hardware Included for Easy Installation

UNIQUE FEATURE:

32" Framed Pivoting Kit:

Fits Pivot Shower Doors with an opening min/max of 30-1/8" – 32-1/8", with a 63-5/8" height

34" Framed Pivoting Kit:

Fits Pivot Shower Doors with an opening min/max of 32-1/8" – 34-1/8", with a 63-5/8" height

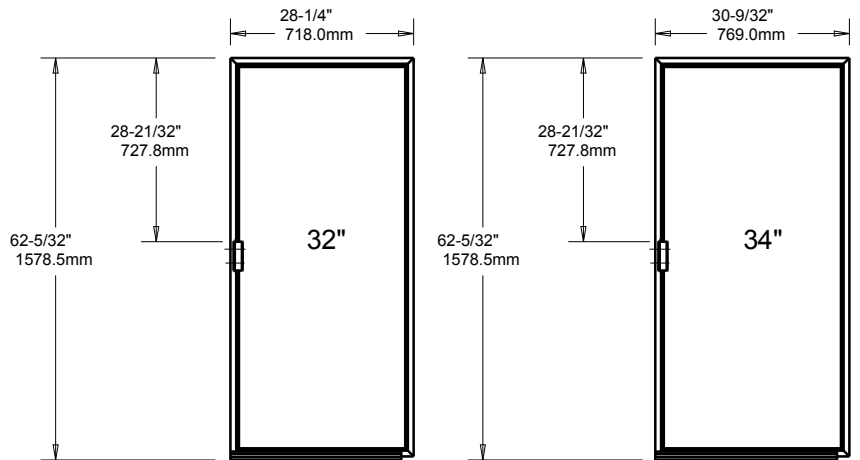
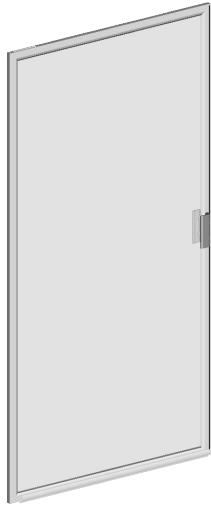
WARRANTY:

3 Year Limited Warranty

FranklinBrass®

Framed Pivoting Shower Door Kit

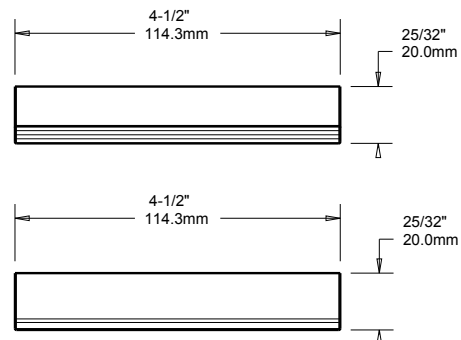
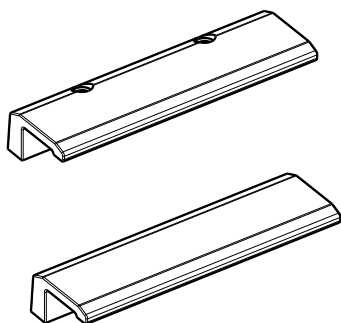
Framed Pivoting Shower Glass Panel



- MATERIALS:** 5/32" (4mm) Tempered Glass Panels with pre-Assembled Anodized Aluminum frame
- INSTALLATION:** Detailed Instructions and Hardware Included for Easy Installation
- UNIQUE FEATURE:**
 32" Framed Pivoting Kit:
 Fits Pivot Shower Doors with an opening min/max of 30-1/8" – 32-1/8", with a 63-5/8" height
 34" Framed Pivoting Kit:
 Fits Pivot Shower Doors with an opening min/max of 32-1/8" – 34-1/8", with a 63-5/8" height
- WARRANTY:** 3 Year Limited Warranty

Framed Pivoting Shower Door Kit

Framed Pivoting Door Handle



- MATERIALS:** Chrome plated plastic
- INSTALLATION:** Detailed Instructions and Hardware Included for Easy Installation
- WARRANTY:** 3 Year Limited Warranty

FranklinBRASS[®]