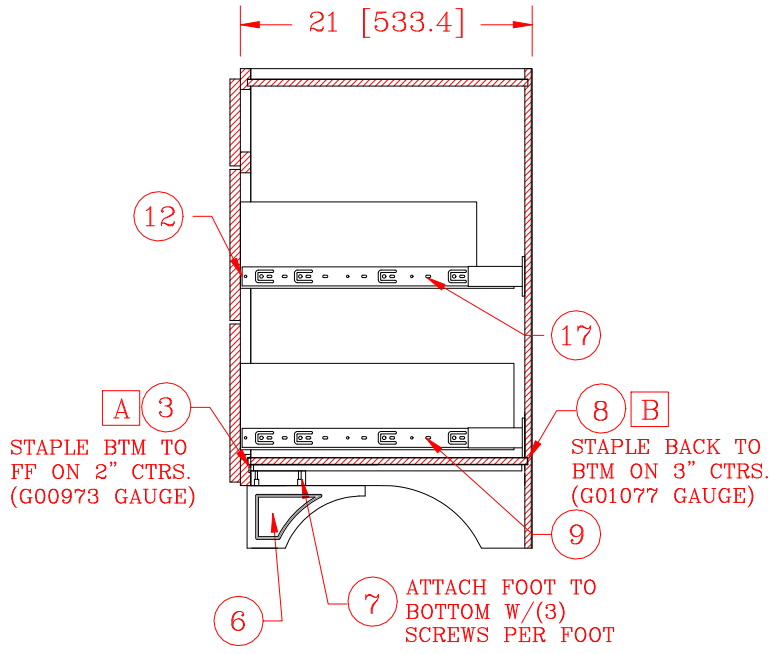
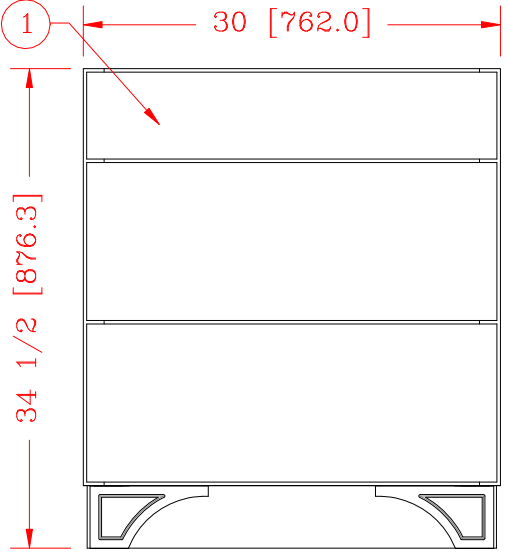


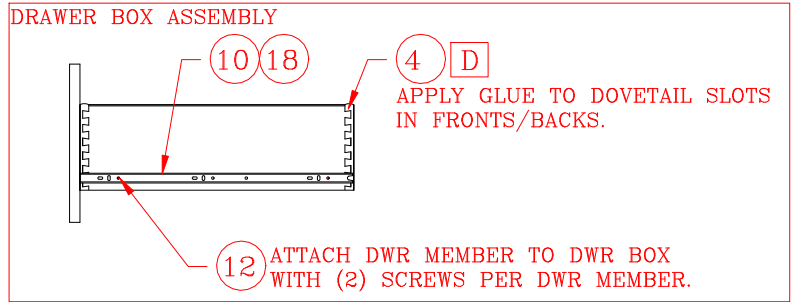
- 2 HARDWARE KNOB TO BE PULLED AND PLACED INTO HARDWARE BAG.
- 13 PLACE (2) BUMPER PADS ON EACH DRAWER FRONT.
- 14 HARDWARE BAG SHIPPED WITH CABINET TO HOLD ALL LOOSE HARDWARE ITEMS (INCLUDES INSTALLATION SCREWS - PART OF KIT).
- 16 INFORMATION CARD (NOT SHOWN) TO BE PLACED ON THE CABINET BOTTOM.

NOTES

- ① -MODIFIED BACK SOCKET/SCREWS.
- ② -ADDED INFORMATION CARD.
- ③ -CHANGED TO 17" GLIDES ON UPPER DRAWER.
- ④ -MODIFIED BACK STAPLE GAUGE.



18	FULL EXT BB DRAWER MEMBER (17")	928071	2
17	FULL EXT BB CABINET MEMBER (17")	928070	2
16	D4 INFORMATION CARD	994002	1
15	HOT MELT	987121	C
14	HARDWARE BAG - CLEAR	995686	1
13	BUMPER PAD - CLEAR	999166	4
12	#6 X 3/8 PH PAN HEAD SCREW	987265	20
11	FULL EXT METAL BB BACK SOCKET	928072	4
10	FULL EXT BB DRAWER MEMBER	927322	2
9	FULL EXT BB CABINET MEMBER	927321	2
8	M10 STAPLES	987069	B
7	#7 X 1 1/4 PH TAPPING SCREW	987003	6
6	CABINET FOOT	VP0413	2
5	5/8" AY10EAA PIN	987014	E
4	WHITE GLUE	987101	D
3	L11 STAPLES	987055	A
2	HARDWARE KNOB/PULL	VP0409	2
1	VSDB30 D4 CABINET KIT	VPM0117	1
REF	COMPONENT		QTY



Revisions					Tolerances (except as noted)		MasterBrand Cabinets, Inc. VSDB30 CABINET ASSEMBLY Ref. Note: SERIES: D4	
#	Date	ECN/NPI	By	App	Metric	Fractional		
1	12.3.14	14-0690	TAH	TAH	+ 0.8mm	+ 1/32	Drawn by TAH Scale: NA Chk'd Date: 8.6.13 App'd TAH (ECO13-086A)	
2	12.22.2014	14-0650	TAH	TAH				
3	3.30.15	15-0150	TAH	TAH			Drawing 1 of 1 Drawing No. VPM0116	
4	8.13.15	14-0630M	TAH	TAH				
5								
6								
7								
8								