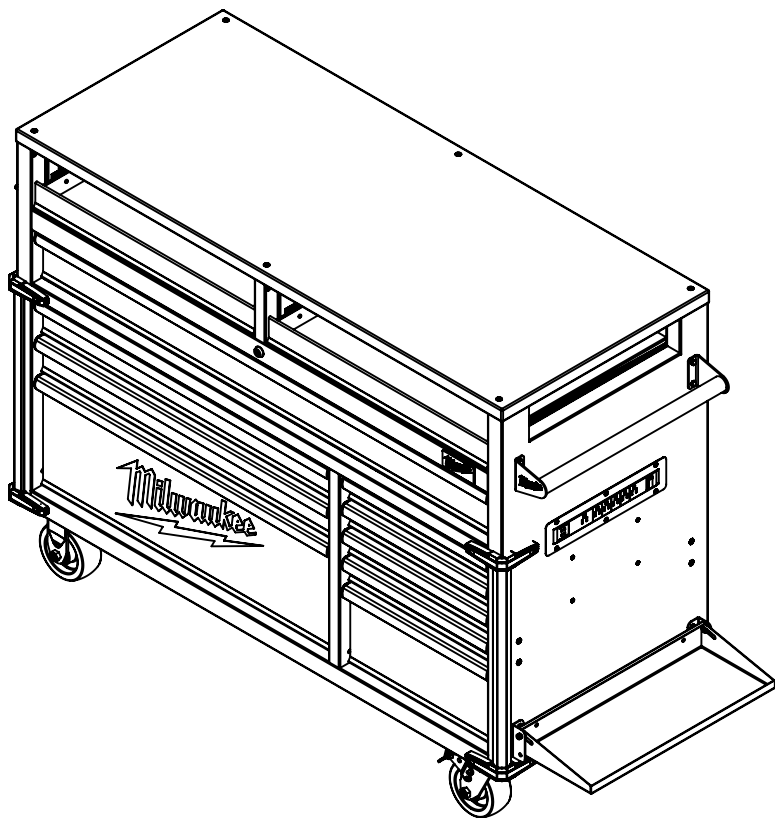




OPERATOR'S MANUAL
MANUEL de L'UTILISATEUR
MANUAL del OPERADOR



Cat. No. / No de cat.
48-22-8553

52" HIGH CAPACITY MOBILE WORK BENCH
BANC DE TRAVAIL MOBILE GRANDE CAPACITÉ DE 1,32 M (52")
BANCO DE TRABAJO MÓVIL ALTA CAPACIDAD DE 1,32 M (52")



WARNING To reduce the risk of injury, user must read and understand operator's manual.

AVERTISSEMENT Afin de réduire le risque de blessures, l'utilisateur doit lire et bien comprendre le manuel.

ADVERTENCIA Para reducir el riesgo de lesiones, el usuario debe leer y entender el manual.

IMPORTANT SAFETY INSTRUCTIONS

WARNING Read all safety warnings and all instructions. Failure to follow the warnings and instructions may result in serious injury. Save all warnings and instructions for future reference.

- **Use the station and accessories in accordance with these instructions and in the manner intended**, taking into account the working conditions. Use of the station for operations different from those intended could result in a hazardous situation.
- **Keep work area clean and well lit.** Cluttered or dark areas invite accidents.
- **Fully assemble the station according to the assembly instructions.** Do not leave off any pieces.
- **Do not modify the station** in any way. Use only specifically recommended accessories. Drilling holes or modifying the station will lower the load capacity, which can cause the station to collapse, resulting in injury.
- **Lock wheels when station is not being moved.** Unlocked wheels can allow the station to move unexpectedly.
- **Keep the station on a level surface. Do not load, unload, or park station on an incline.** The station may become unbalanced and tip, resulting in injury.
- **Always balance the station load to avoid tipping.** Unbalanced stations are more likely to tip when being moved or when using the station work surfaces. Evenly distribute the weight front to back and side to side. To help prevent the station from tipping, load the product starting with the bottom drawers.
- **Do not exceed the maximum product weight, including contents. Do not exceed the maximum weight for each drawer.** Overloaded stations can tip, collapse, or damage drawer slides.
- **Do not open more than one drawer at a time.** Station may tip, causing injury.
- **Keep children and bystanders away while loading, unloading, and moving the station.** Distractions can cause you to lose control.
- **Only lift the station according to the instructions** in this manual. Other methods may be dangerous, resulting in injury.
- **Only transport the station when empty. Properly secure when transporting.**
- **Do not mount the station on a truck bed or any other moving object.**
- **Lock all drawers before rolling the station.** The drawers could come open and make the station unstable and tip.
- **Only roll the station short distances by using the handle provided.**
- **Secure all items before rolling the station.** Loose items could shift, causing the station to become unstable.
- **Do not use drawers as steps. Do not stand on the station.** Station may tip, causing injury.
- **Do not step on side shelf.** Shelf may collapse or break. Station may tip, causing injury.

- **Do not use station in explosive atmospheres**, such as in the presence of flammable liquids, gases or dust. This equipment has internal arcing or sparking parts. Station should not be located in a recessed area or below floor level.
- **Station plugs must match the outlet. Never modify the plug in any way. Do not use any adapter plugs with earth (grounded) chest/cabinet power strips.** Unmodified plugs and matching outlets will reduce risk of electric shock.
- **Avoid body contact with earthed or grounded surfaces such as pipes, radiators, ranges and refrigerators.** There is an increased risk of electric shock if your body is earthed or grounded.
- **Maintain station.** Check for misalignment or binding wheels, breakage or bending of drawer slides or other parts and any other condition that may affect the station's operation. Do not use damaged station.
- **Maintain labels and nameplates.** These carry important information. If unreadable or missing, contact a MILWAUKEE service facility for a free replacement.
- **Have your station serviced by a qualified repair person using only identical replacement parts.** This will ensure that the safety of the station is maintained.

Federal Communications Commission

WARNING: Changes or modifications to this unit not expressly approved by the party responsible for compliance could void the user's authority to operate the equipment.

This device complies with Part 15 of the FCC Rules. Operation is subject to the following two conditions: (1) this device may not cause harmful interference, and (2) this device must accept any interference received, including interference that may cause undesired operation.

NOTE: This equipment has been tested and found to comply with the limits for a Class B digital device, pursuant to Part 15 of the FCC Rules. These limits are designed to provide reasonable protection against harmful interference in a residential installation. This equipment generates, uses and can radiate radio frequency energy and, if not installed and used in accordance with the instructions, may cause harmful interference to radio communications. However, there is no guarantee that interference will not occur in a particular installation. If this equipment does cause harmful interference to radio or television reception, which can be determined by turning the equipment off and on, the user is encouraged to try to correct the interference by one or more of the following measures:

- Reorient or relocate the receiving antenna.
- Increase the separation between the equipment and receiver.
- Connect the equipment into an outlet on a circuit different from that to which the receiver is connected.
- Consult the dealer or an experienced radio/TV technician for help.

GROUNDING

WARNING Improperly connecting the grounding wire can result in the risk of electric shock. Check with a qualified electrician if you are in doubt as to whether the outlet is properly grounded. Do not modify the plug provided with the station. Never remove the grounding prong from the plug. Do not use the station if the cord or plug is damaged. If damaged, have it repaired before use. If the plug will not fit the outlet, have a proper outlet installed by a qualified electrician.

Stations with Three Prong Plugs

Stations marked "Grounding Required" have a power strip with a three wire cord and three prong grounding plug. The plug must be connected to a properly grounded outlet (See Figure A). If the power strip should electrically malfunction or break down, grounding provides a low resistance path to carry electricity away from the user, reducing the risk of electric shock. The grounding prong in the plug is connected through the green wire inside the cord to the grounding system in the power strip. The green wire in the cord must be the only wire connected to the power strip's grounding system and must never be attached to an electrically "live" terminal. Your power strip must be plugged into an appropriate outlet, properly installed and grounded in accordance with all codes and ordinances. The plug and outlet should look like those in Figure A.

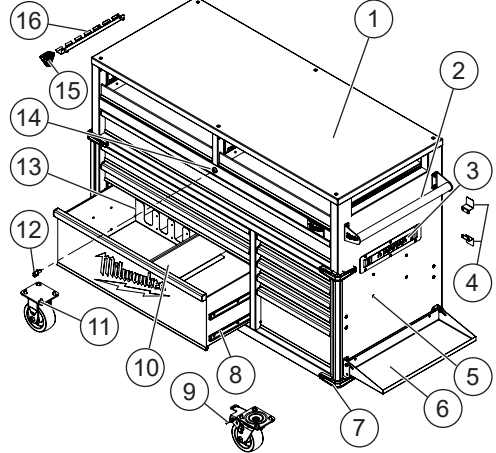
Fig. A



SPECIFICATIONS

Cat. No.	48-22-8553
Two-Slide Drawer Capacity	100 lbs. (45.4 kg)
Four-Slide Drawer Capacity	200 lbs. (90.7 kg)
Total Capacity	1800 lbs. (816.5 kg)
AC Input Volts	120
Hertz	60
Amps	15
USB Output Volts	5
USB Watts	10.5
USB Amps	2.1
Max Operating Temperature	221°F (105 °C)

FUNCTIONAL DESCRIPTION



SYMBOLGY



Warning



Read Operator's Manual



Electrical Shock Hazard



Do not open more than one drawer at a time. Station may tip, causing injury.



Lock wheels when station is not being moved. Unlocked wheels can allow the station to move unexpectedly.



Do not use drawers as steps. Station may tip, causing injury.



Lock all drawers before moving the station.



Do not step on side shelf. Shelf may collapse or break. Station may tip, causing injury.

1. Wood work surface
2. Side handle
3. Power strip with USB ports
4. Cord storage brackets
5. Charger mounts
6. Storage shelf
7. Bumper
8. Drawer slide
9. Swivel caster with brake
10. Drawer divider
11. Rigid caster
12. Key
13. Tool organizer
14. Lock
15. Bottle opener
16. Tool hanger

ASSEMBLY

CAUTION Be sure to follow the assembly instructions for the appropriate station. Do not use power tools to assemble station. Tighten bolts with hand wrenches.

Tools Required



Phillips
screwdriver



Safety
goggles



10 mm
Wrench



13 mm
Wrench

Hardware Included

NOTE: Items not shown to actual size.

Hardware	Item	Description	Quantity
AA		Bolt M6 x 16L	10
BB		Screw M4 x 16L	12
CC		Screw M4 x 12L	8
DD		Nylon washer 19 x 8.5 x 1.5	2
EE		Nut M6	2
FF		Shoulder bolt M6 x 8L	2
GG		Screw M6 x 16L	2

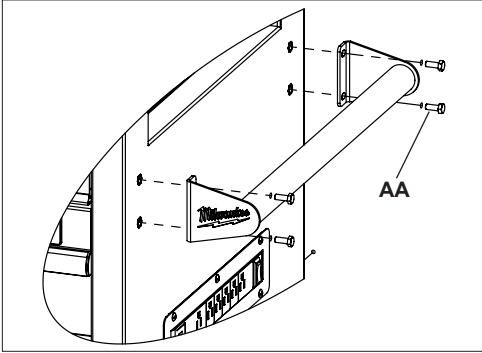
Item	Description	Quantity
	Side handle	1
	Front bumper	4
	Rear bumper	2
	Cabinet corner extrusion	2
	Cord Storage Bracket	2
	Tool hanger	1
	Shelf hinge bracket	2
	Bottle opener	1
	Swivel caster with brake	2
	Rigid caster	2

NOTE: Begin product assembly close to the final intended location of your station. This product is heavy and may be difficult to move after assembly.

Attaching the Side Handle

Attach the side handle to the station using four bolts (AA). The side handle can be attached to either side of the station.

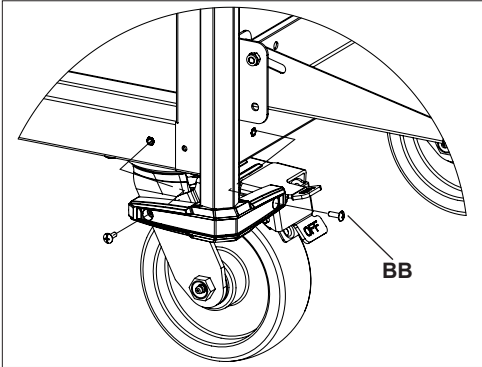
NOTE: The holes in the station are tapped and do not require nuts.



Installing the Corner Extrusions and Bumpers

Place the front bumpers on both ends of the extrusion by sliding the extrusion into the cavity of the bumpers. Attach the front bumpers with extrusions using two screws (BB) per bumper.

Attach the two rear bumpers to the back of the lower cabinet using two screws (BB) per bumper.



Installing the Cord Storage Brackets

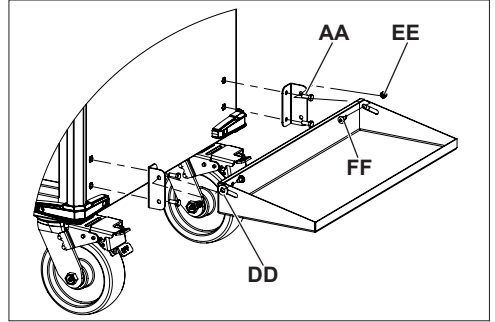
Attach the brackets to the station with two screws (CC) per bracket. Orient the brackets with one pointed up and one pointed down so that the power outlet cord can be wrapped around the brackets for storage.

Attaching the Tool Hanger

Attach the tool hanger to the left end of the station using two bolts (AA).

Installing the Storage Shelf

Attach the shelf hinge brackets to the right cabinet using two bolts (AA) for each bracket. Attach the storage shelf to the brackets using one washer (DD), nut (EE) and bolt (FF) on each end.



Reversing the Wood Work Surface

The wood work surface comes pre-installed with the station. After wear and tear, the surface may be reversed to use the clean bottom surface. To reverse, remove the six screws from the top of the wood work surface, flip surface, and reinstall the six screws.

Installing the Bottle Opener

Attach the bottle opener to the left side of the cabinet using two screws (GG).

USB Power Outlet

The USB ports on the power outlet can be used to charge any device that uses less than 2.1A of DC electrical current.

NOTE: Any device that uses more than 2.1 A of DC electrical current will trip a self-resetting overload and disable the output.

Installing the Drawer Liners

Place the drawer liners in appropriately sized drawers to protect the surface.

OPERATION

WARNING To avoid injury or property damage, do not exceed maximum drawer capacity. Use care when moving the station on incline or rough surface. Station may tip if weight is not evenly distributed front to back and side to side. Place more than half the total load weight on the bottom drawers when possible.

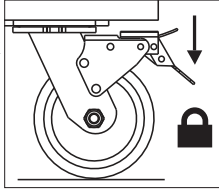
Locking and Unlocking the Station

NOTE: The drawers must be fully closed before locking/unlocking the unit.

Insert the key. Turn it fully left to lock, or fully right to unlock. Always remove the key after locking and unlocking.

Using the Caster Brakes

To lock the swivel casters, step down on the levers marked **ON**. Be sure to lock all casters to prevent station from rolling or swiveling. To unlock casters, push down on the levers marked **OFF**.



Moving the Station on an Incline or Rough Surface

Take care that the station does not tip or become unbalanced when moving it on an incline or rough surface. Do not exceed an incline of 10 degrees. Lock the station and secure all items before moving.

Rolling the Station

The station is only intended for rolling short distances. Only roll the station using the handle. Do not push or pull station by the frame or product may tip. Do not modify the station in any way. Drilling holes or modifying the station will lower the load capacity, which can cause the station to collapse, resulting in injury. Lock the station and secure all items before rolling.

Lifting the Station

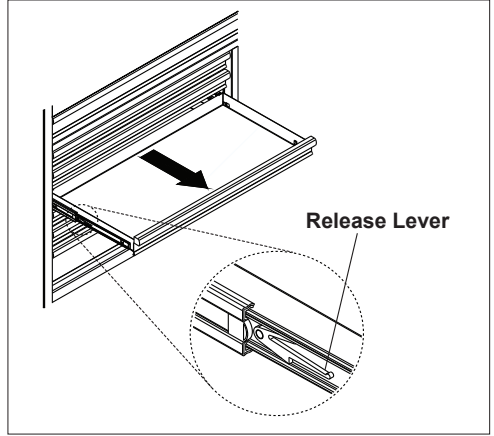
The station is not intended to be lifted. However, if you need to lift, empty the station and then place straps or forks inside and next to casters. Do not lift loaded stations. Be sure all bystanders are moved away before lifting station.

Mounting Chargers

The station comes equipped with four pre-installed charger mounting bosses, located below the power strip. The charger mounts are suitable for holding MILWAUKEE M18™ & M12™ Multi Voltage chargers as well as M18™ chargers. To mount a charger, install a screw (CC) into each boss, then slide the charger's key-hole slots over the screws. Slide the charger toward the floor to lock it onto the screws.

Removing the Drawers

1. Fully extend and empty the drawer.
2. Depending on the side, either lift or lower the release lever on both sides so the slides can ride over the stops. Pull out to remove.



Installing the Drawers

1. Pull the slides and slide carrier out until fully extended.
2. Hold the slide on the cabinet while aligning it with the slide on the drawer.
3. Slightly insert one side and repeat for the other side.
4. Slowly push the drawer until it is fully closed to engage the slide.
5. Open and close the drawer to verify proper operation.

MAINTENANCE

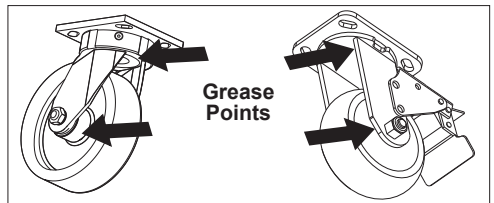
WARNING To reduce the risk of injury, contact MILWAUKEE Corporate After Sales Service Technical Support for ALL repairs and replacement parts.

Maintaining the Station

Keep your station in good repair by adopting a regular maintenance program. Before use, examine the general condition of your station. Check for loose screws, misalignment, binding of wheels, broken parts and any other condition that may affect its safe operation. Do not use a damaged station.

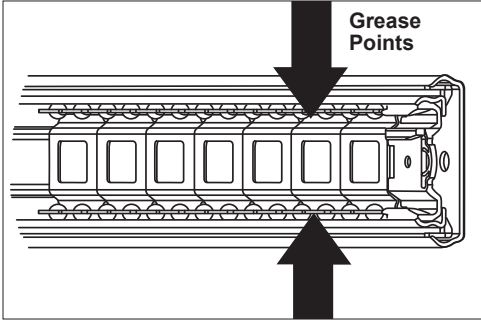
Maintaining the Casters

Grease the casters annually using high quality bearing grease.



Maintaining the Drawers

1. Periodically clean the drawer with a mild detergent and water.
2. Remove grease and oil in drawer with a standard, nonflammable cleaning fluid.
3. The use of drawer liners is recommended to protect the finish inside the drawers and make the drawers easier to clean. Drawer liners can be cleaned with soap and water.
4. Lubricate the slides semi-annually with general purpose grease or equivalent.



Cleaning

This steel product has been coated with industrial powder coating for a durable finish. To help protect the powder coated finish, do not allow harsh chemicals (oil, grease or other chemical) to remain on the powder coating surface. Use a glass cleaner to clean and maintain all surfaces of powder coating.

Keep the station handles and wheels clean, dry and free of oil or grease. Use only mild soap and a damp cloth to clean your station since certain cleaning agents and solvents are harmful to plastics. Some of these include: gasoline, turpentine, lacquer thinner, chlorinated cleaning solvents, ammonia and household detergents containing ammonia. Never use flammable or combustible solvents around station.

Service

For service and repair information, including the ordering of service parts, call our Corporate After Sales Service Technical Support line at 1-800-SAWDUST, or visit our website at www.milwaukeeetool.com.

ACCESSORIES

⚠WARNING Modifying the station to accept other accessories may be hazardous, resulting in injury or property damage. Use only specifically recommended accessories according to the manufacturer's instructions.

For a complete listing of accessories, go online to www.milwaukeeetool.com or contact a distributor.

SERVICE - UNITED STATES

1-800-SAWDUST (1.800.729.3878)

Monday-Friday, 7:00 AM - 6:30 PM CST
or visit www.milwaukeeetool.com

Contact Corporate After Sales Service Technical Support with technical, service/repair, or warranty questions.

Email: metproductsupport@milwaukeeetool.com

Become a Heavy Duty Club Member at www.milwaukeeetool.com to receive important notifications regarding your tool purchases.

SERVICE - CANADA

Milwaukee Tool (Canada) Ltd

1.800.268.4015

Monday-Friday, 7:00 AM - 4:30 PM CST
or visit www.milwaukeeetool.ca

LIMITED WARRANTY USA & CANADA

Every MILWAUKEE steel storage chest and cabinet are warranted to the original purchaser only to be free from defects in material and workmanship. Subject to certain exceptions, MILWAUKEE will repair or replace any part on a chest or cabinet which, after examination, is determined by MILWAUKEE to be defective in material or workmanship for a period of three (3) years after the date of purchase. Return of the chest or cabinet to the place of purchase is required. A copy of the proof of purchase should be included with the return product. This warranty does not apply to damage that MILWAUKEE determines to be from repairs made or attempted by anyone other than MILWAUKEE authorized personnel, misuse, alterations, abuse, normal wear and tear, lack of maintenance, or accidents.

Warranty Registration is not necessary to obtain the applicable warranty on a MILWAUKEE steel storage chest or cabinet. The manufacturing date of the product will be used to determine the warranty period if no proof of purchase is provided at the time warranty service is requested. If you feel your product has a warranty defect, or if you need information on a service/replacement part, please contact MILWAUKEE at 1.800.SAWDUST (1.800.729.3878) for instructions.

ACCEPTANCE OF THE EXCLUSIVE REPAIR AND REPLACEMENT REMEDIES DESCRIBED HEREIN IS A CONDITION OF THE CONTRACT FOR THE PURCHASE OF EVERY MILWAUKEE PRODUCT. IF YOU DO NOT AGREE TO THIS CONDITION, YOU SHOULD NOT PURCHASE THE PRODUCT. IN NO EVENT SHALL MILWAUKEE BE LIABLE FOR ANY INCIDENTAL, SPECIAL, CONSEQUENTIAL OR PUNITIVE DAMAGES, OR FOR ANY COSTS, ATTORNEY FEES, EXPENSES, LOSSES OR DELAYS ALLEGED TO BE AS A CONSEQUENCE OF ANY DAMAGE TO, FAILURE OF, OR DEFECT IN ANY PRODUCT INCLUDING, BUT NOT LIMITED TO, ANY CLAIMS FOR LOSS OF PROFITS. SOME STATES DO NOT ALLOW THE EXCLUSION OR LIMITATION OF INCIDENTAL OR CONSEQUENTIAL DAMAGES, SO THE ABOVE LIMITATION OR EXCLUSION MAY NOT APPLY TO YOU. THIS WARRANTY IS EXCLUSIVE AND IN LIEU OF ALL OTHER EXPRESS WARRANTIES, WRITTEN OR ORAL. TO THE EXTENT PERMITTED BY LAW, MILWAUKEE DISCLAIMS ANY IMPLIED WARRANTIES, INCLUDING WITHOUT LIMITATION ANY IMPLIED WARRANTY OF MERCHANTABILITY OR FITNESS FOR A PARTICULAR USE OR PURPOSE; TO THE EXTENT SUCH DISCLAIMER IS NOT PERMITTED BY LAW, SUCH IMPLIED WARRANTIES ARE LIMITED TO THE DURATION OF THE APPLICABLE EXPRESS WARRANTY AS DESCRIBED ABOVE. SOME STATES DO NOT ALLOW LIMITATIONS ON HOW LONG AN IMPLIED WARRANTY LASTS, SO THE ABOVE LIMITATION MAY NOT APPLY TO YOU. THIS WARRANTY GIVES YOU SPECIFIC LEGAL RIGHTS, AND YOU MAY ALSO HAVE OTHER RIGHTS WHICH VARY FROM STATE TO STATE. This warranty applies to product sold in the U.S.A. and Canada only. Please consult the 'Find a Service Center Search' in the Parts & Service section of MILWAUKEE's website www.milwaukeeetool.com or call 1.800.SAWDUST (1.800.729.3878) to locate your nearest MILWAUKEE factory Service Center location.

INSTRUCTIONS IMPORTANTES CONCERNANT LA SÉCURITÉ

⚠️ AVERTISSEMENT Lire toutes les règles et instructions de sécurité.

Ne pas suivre l'ensemble des règles et instructions peut entraîner une électrocution, un incendie ou des blessures graves. **Conservé les règles et les instructions à des fins de référence ultérieure.**

• **Utiliser les poste de travail et les accessoires conformément à ces instructions et de la manière prévue**, en prenant en compte les conditions de travail. L'utilisation d'un poste de travail pour des applications pour lesquelles il n'est pas conçu peut être dangereuse.

• **Conserver la zone de travail propre et bien éclairée.** Le désordre et le manque de lumière favorisent les accidents.

• **Monter entièrement les poste de travail conformément aux instructions d'assemblage.** Remettez toutes les pièces en place.

• **Ne pas modifier les poste de travail d'une quelconque façon.** N'utiliser que les accessoires spécifiquement recommandés. Percer des trous ou modifier les poste de travail réduira la capacité de charge, ce qui peut entraîner l'effondrement du poste et des blessures.

• **Verrouiller les roues lorsque les poste de travail n'est pas déplacé.** Le déverrouillage des roues peut provoquer un mouvement inattendu du poste de travail.

• **Installer les poste de travail sur une surface plane. Ne pas charger, décharger ou placer les poste de travail sur une surface inclinée.** Les poste de travail peut être déséquilibré et basculer, entraînant des blessures.

• **Toujours équilibrer la charge du poste de travail pour éviter tout basculement.** Les postes de travail déséquilibrés ont plus de risques de basculer lorsqu'ils sont déplacés ou lorsque vous utilisez leur surface de travail. Répartir le poids uniformément entre l'avant/l'arrière et les côtés. Lorsque cela est possible, placer plus de la moitié du poids de charge total sur les poste de travail du bas. Pour éviter le basculement du poste de travail, charger le produit en commençant par les tiroirs du bas.

• **Ne pas dépasser le poids maximum du produit, une fois rempli. Ne pas dépasser le poids maximum pour chaque tiroir.** Les postes de travail trop chargés risquent de basculer, de s'effondrer ou d'endommager les glissières des tiroirs.

• **Ne pas ouvrir plusieurs tiroirs à la fois.** Les poste de travail peut basculer, entraînant des blessures.

• **Tenir les enfants et les curieux à bonne distance pendant le chargement, le déchargement et le déplacement du poste de travail.** Les distractions peuvent causer une perte de contrôle.

• **Soulever uniquement les poste de travail conformément aux instructions de ce manuel. Les autres méthodes peuvent être dangereuses, entraînant des blessures.**

• **Transporter uniquement les poste de travail lorsqu'il est vide. Bien le maintenir pendant le transport.**

• **Ne pas monter les poste de travail sur une plateforme ou tout autre objet mobile.**

• **Verrouiller tous les tiroirs avant de déplacer les poste de travail.** Les tiroirs peuvent s'ouvrir et rendre les poste de travail instable ou le basculer.

• **Ne faire rouler les poste de travail que sur de courtes distances en utilisant la poignée fournie.**

• **Bien sécuriser tous les objets avant de faire rouler les poste de travail.** Les objets desserrés pourraient se déplacer, rendant les poste de travail instable.

• **Ne pas utiliser les tiroirs comme escabeau. Ne pas monter sur les poste de travail.** Les poste de travail peut basculer, entraînant des blessures.

• **Ne pas marcher sur l'étagère latérale.** L'étagère peut s'écroûler ou se casser. Les poste de travail peut basculer et causer des blessures.

• **Ne pas utiliser les poste de travail dans un environnement explosif**, par exemple en présence de liquides, de gaz ou de poussières inflammables. Cet équipement possède des pièces pouvant produire des arcs ou des étincelles. Les poste de travail ne doit pas être placé dans une zone encastrée ou sous le niveau du plancher.

• **Les fiches du poste de travail doivent correspondre à la prise. Ne jamais modifier la fiche, de quelque façon que ce soit. Ne jamais utiliser d'adaptateurs de fiche avec des bandes d'alimentation mises à la terre pour les poste de travail.** Les fiches et prises non modifiées réduisent le risque de choc électrique.

• **Éviter tout contact avec des surfaces mises à la terre comme des tuyaux, des radiateurs, des cuisinières et des réfrigérateurs.** Le risque de choc électrique est accru lorsque le corps est mis à la terre.

• **Maintenir les poste de travail.** Vérifier qu'aucune roue n'est mal alignée ou bloquée, qu'aucune glissière de tiroir ou autre pièce n'est brisée ou bloquée, et s'assurer qu'aucun autre problème ne puisse affecter le bon fonctionnement du poste de travail. Ne pas utiliser un poste endommagé.

• **Maintenir en état les étiquettes et les plaques signalétiques.** Des informations importantes y figurent. Si elles deviennent illisibles ou manquantes, contacter un centre de services et d'entretien MILWAUKEE pour un remplacement gratuit.

• **Les réparations de votre poste doivent être confiées à un technicien qualifié, utilisant exclusivement des pièces identiques à celles d'origine.** Le maintien de la sûreté du poste de travail sera ainsi assuré.

Federal Communications Commission

AVERTISSEMENT: Les changements ou les modifications apportés à cette unité non expressément approuvés par l'organisme responsable de la conformité peuvent annuler l'autorité de l'utilisateur à utiliser cet équipement.

Ce dispositif est conforme à la partie 15 des règles de la FCC. Son fonctionnement est soumis aux conditions suivantes : (1) cet appareil ne doit produire aucun brouillage préjudiciable et (2) cet appareil doit fonctionner en dépit de tout brouillage capté, y compris le brouillage pouvant mener à un fonctionnement non désiré.

Cet équipement a été testé et déclaré conforme aux limites des dispositifs numériques de classe B, en vertu de la section 15 des réglementations de la FCC. Ces limites ont pour but de fournir une protection raisonnable contre les interférences nuisibles dans le cadre d'une installation résidentielle. Cet équipement génère, utilise et peut émettre de l'énergie de radiofréquence. Il est donc recommandé de l'installer et de l'utiliser conformément aux instructions afin d'éviter toute interférence nuisible aux communications radio.

Cependant, il n'existe aucune garantie selon laquelle des interférences ne se produiront pas dans le cas d'une installation spécifique. Si cet appareil provoque des interférences nuisibles pour les réceptions radio et télévisées, ce qui peut être déterminé en l'éteignant puis en le rallumant, il est conseillé d'y remédier en suivant l'une ou plusieurs des mesures suivantes:

- Réorienter ou repositionner l'antenne réceptrice.
- Augmenter l'espace entre l'équipement et le récepteur.
- Brancher l'équipement dans une prise sur un circuit différent de celui sur lequel le récepteur est connecté.
- Consulter le concessionnaire ou un technicien radio/TV expérimenté pour obtenir de l'aide.

MISE A LA TERRE

AVERTISSEMENT Le raccord incorrect du fil de mise à la terre peut entraîner un risque de choc électrique. En cas de doute au sujet de la mise à la terre, consulter un électricien qualifié. Ne pas modifier la fiche fournie avec les poste de travail. Ne jamais retirer la broche de mise à la terre de la fiche. Ne pas utiliser les poste de travail si le cordon ou la fiche sont endommagés. En cas de dommages, faire réparer avant l'utilisation. Si la fiche ne peut pas être insérée dans la prise secteur, faire installer une prise adéquate par un électricien qualifié.

Postes munis de fiches à trois broches

Les postes de travail portant la marque « Mise à la terre requise » possèdent une bande d'alimentation avec un cordon à trois fils et une fiche de mise à la terre à trois broches. La fiche doit être branchée à une prise correctement mise à la terre (voir Figure A). En cas de dysfonctionnement électrique ou de défaillance de la bande d'alimentation, la mise à la terre constitue un chemin à faible résistance pour détourner l'électricité de l'utilisateur, réduisant ainsi le risque de choc électrique.

La broche de mise à la terre dans la fiche est reliée grâce au fil vert qui se trouve à l'intérieur du cordon au système de mise à terre de la bande d'alimentation. Le fil vert du cordon doit être le seul fil relié au système de mise à la terre de la bande d'alimentation et ne doit jamais être connecté à une borne électrique « sous tension ». Votre bande d'alimentation doit être branchée sur une prise correctement installée et mise à la terre conformément à tous les codes et règlements en vigueur. La fiche et la prise doivent être identiques à celles de la Figure A.

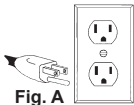
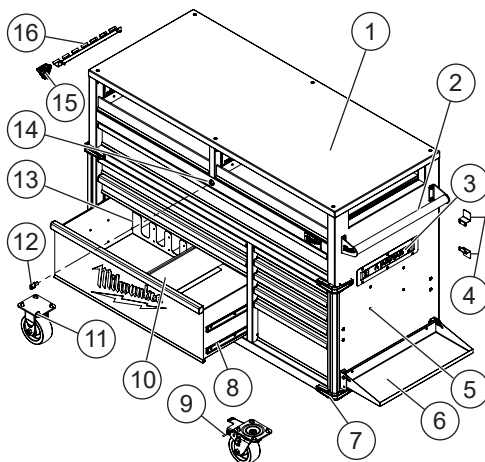


Fig. A

SPECIFICATIONS

No de Cat.....	48-22-8553
Capacité du tiroir à deux glissières.....	45,4 kg (100 lbs.)
Capacité du tiroir à quatre glissières.....	90,7 kg (200 lbs.)
Capacité totale.....	816,5 kg (1 800 lbs.)
Volts d'entrée CA.....	120
Hertz.....	60
Ampères.....	15
Tension du port USB.....	5
Watt du port USB.....	10,5
Intensité de courant du port USB.....	2,1
Température de fonctionnement maximale	105°C (221°F)

DESCRIPTION FONCTIONNELLE



- | | |
|--|----------------------------------|
| 1. Surface de travail en bois | 8. Glissière de tiroir |
| 2. Poignée latérale | 9. Roulette pivotante avec frein |
| 3. Bande d'alimentation avec ports USB | 10. Séparateur de tiroir |
| 4. Support de rangement du cordon | 11. Roulette rigide |
| 5. Supports de chargeur | 12. Clé |
| 6. Étagère de rangement | 13. Organisateur d'outils |
| 7. Butoir | 14. Verrou |
| | 15. Décapsuleur |
| | 16. Suspension d'outils |

PICTOGRAPHIE



Avertissement



Lire le manuel d'utilisation



Danger de décharge électrique



Ne pas ouvrir plusieurs tiroirs à la fois. Les poste de travail peut basculer, entraînant des blessures.



Verrouiller les roues lorsque les poste de travail n'est pas déplacé. Le déverrouillage des roues peut provoquer un mouvement inattendu du poste de travail.



Ne pas utiliser les tiroirs comme escabeau. Ne pas monter sur les poste de travail. Le poste peut basculer, entraînant des blessures.



Verrouiller le couvercle et tous les tiroirs avant de déplacer le poste de travail.



Ne pas marcher sur l'étagère latérale. L'étagère peut s'écrouler ou se casser. Le poste peut basculer et causer des blessures.

MONTAGE DE L'OUTIL

ATTENTION Veillez à bien respecter les instructions d'assemblage pour les poste de travail approprié. N'utilisez pas d'outils électriques pour assembler les poste de travail. Serrez les boulons avec des clés à main.

Outils requis



Tournevis à pointe cruciforme



Lunettes de sécurité



Clé de 10 mm



Clé de 13 mm

Matériel inclus

REMARQUE: Les pièces ne sont pas à taille réelle.

Matériel	Pièce	Description	Quantité
AA		Boulon M6 x 16L	10
BB		Vis M4 x 16L	12
CC		Vis M4 x 12L	8
DD		Rondelle en nylon 19 x 8,5 x 1,5	2
EE		Écrou M6	2
FF		Boulon épaule M6 x 8L	2
GG		Vis M6 x 16L	2

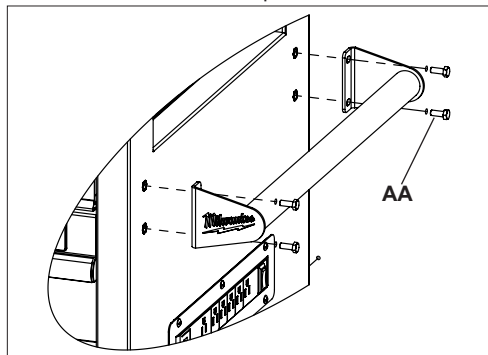
Pièce	Description	Quantité
	Poignée latérale	1
	Parechoc avant	4
	Parechoc arrière	2
	Coins pour extrusion du cabinet de rangement	2
	Supports de rangement du cordon	2
	Suspension d'outils	1
	Équerre d'articulation pour étagère	2
	Décapsuleur	1
	Roulette pivotante avec frein	2
	Roulette rigide	2

REMARQUE: Commencez à assembler le produit à proximité de l'emplacement final souhaité du poste de travail. Ce produit est lourd et pourrait être difficile à déplacer après l'assemblage.

Fixation de la poignée latérale

Fixer la poignée latérale sur les poste de travail roulant à l'aide des quatre boulons (AA). La poignée latérale peut être installée du côté droit ou gauche de les poste de travail.

REMARQUE: Les orifices du poste de travail sont taraudés et ne nécessitent pas d'écrous.



Installation des supports de rangement du cordon

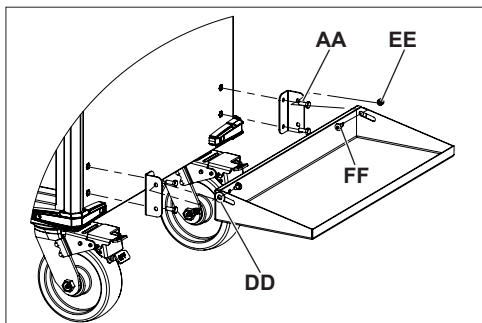
Fixer les supports à la poste de travail au moyen de deux vis (CC) par support. Orienter les supports avec l'un dirigé vers le haut et l'un vers le bas pour que le cordon d'alimentation électrique puisse s'enrouler autour des supports de rangement.

Fixation de la suspension d'outils

Fixer la suspension d'outils sur l'extrémité gauche du poste de travail au moyen de deux boulons (AA).

Installation de l'étagère de rangement

Fixez les équerres d'articulation pour l'étagère au cabinet de rangement à droite, en utilisant deux boulons (AA) pour chacun des supports. Fixez l'étagère de rangement aux supports, en utilisant une rondelle (DD), un écrou (EE) et un boulon (FF) en chacun de ses côtés.

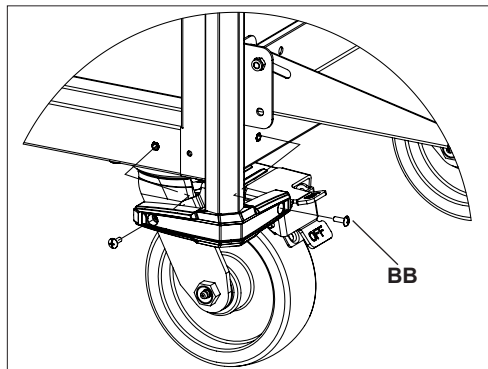


Installation des coins pour extrusion et parechoc

Mettez les parechocs avant sur tous les deux bouts, en glissant les coins pour extrusion dans la cavité à parechoc.

Attachez les parechocs avant avec les coins pour extrusion, en utilisant deux vis (BB) par parechoc.

Attachez les deux parechocs arrière à l'arrière du cabinet de rangement inférieur, en utilisant deux vis (BB) par parechoc.



Inverser la surface de travail en bois

La surface de travail en bois est livrée préinstallée avec les poste de travail. Après usure, la surface peut être inversée pour utiliser la surface intacte du fond. Pour inverser, retirer les six vis du haut de la surface de travail en bois, mettre la surface à l'envers, et réinstaller les six vis.

Installation du décapsuleur

Fixez le décapsuleur sur le côté gauche du cabinet de rangement, en utilisant deux vis (GG).

Prise d'alimentation USB

Les ports USB peuvent être utilisés pour charger n'importe quel dispositif qui utilise un courant électrique continu de moins de 2,1 A.

REMARQUE : tout dispositif utilisant un courant électrique continu de plus de 2,1 V déclencherà une surcharge à réamorçage automatique et désactivera la prise d'alimentation.

Installation des revêtements de tiroir

Placer les revêtements de tiroir dans les tiroirs de taille adaptée pour protéger la surface. La bande double face fournie peut être utilisée pour fixer les doublures du tiroir afin d'empêcher leur glissement.

MANIEMENT

⚠ AVERTISSEMENT Pour éviter des blessures ou des dommages matériels, ne dépassez pas la capacité de charge maximum. Soyez vigilant lorsque vous déplacez les poste de travail sur une surface inclinée ou rugueuse. Les poste de travail peut basculer si le poids n'est pas réparti uniformément entre l'avant/l'arrière et les côtés. Lorsque cela est possible, placer plus de la moitié du poids de charge total sur les poste de travail du bas.

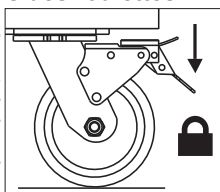
Verrouillage et déverrouillage du poste de travail

REMARQUE: Les tiroirs doivent être bien fermés avant de verrouiller/déverrouiller l'unité.

Insérer la clé. La tourner entièrement vers la gauche pour verrouiller, ou entièrement vers la droite pour déverrouiller. Toujours enlever la clé après le verrouillage et le déverrouillage.

Utilisation des freins des roulettes

Pour verrouiller les roulettes pivotantes, enfoncer avec le pied les leviers marqués **ON**. S'assurer de verrouiller les tous roulettes pour empêcher le mouvement ou le pivotement du poste de travail. Pour déverrouiller les roulettes, enfoncer avec le pied les leviers marqués **OFF**.



Déplacement du poste de travail sur une surface inclinée ou rugueuse

S'assurer que les poste de travail ne bascule pas ou ne soit pas déséquilibré lorsqu'il est placé sur une surface inclinée ou rugueuse. Ne pas dépasser une inclinaison de 10 degrés. Verrouiller les poste de travail et fixer toutes ses pièces avant de le déplacer.

Déplacement du poste de travail

Les poste de travail est uniquement conçu pour rouler sur de courtes distances. Ne faire rouler les poste de travail qu'en utilisant la poignée. Ne pas pousser ou tirer les poste de travail par le cadre, car le produit pourrait basculer. Ne pas modifier les poste de travail d'une quelconque façon. Percer des trous ou modifier les poste de travail réduira la capacité de charge, ce qui peut entraîner l'effondrement du poste de travail et des blessures. Verrouiller les poste de travail et fixer toutes ses pièces avant de le faire rouler.

Souèvement du poste de travail

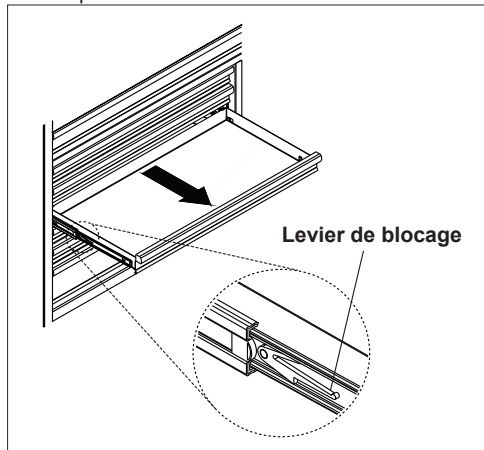
Les poste de travail et l'ensembles poste de travail ne sont pas conçus pour être soulevés. Toutefois, s'ils doivent être soulevés, vider les poste de travail, puis placer des bandes ou des fourches à l'intérieur et à côté des roulettes. Ne pas soulever les postes de travail chargés. S'assurer que tous les curieux sont éloignés avant de soulever les poste de travail.

Montage des chargeurs

Les poste de travail roulant est équipé de quatre bossages de montage de chargeur préinstallés, situés en dessous de la bande d'alimentation. Les supports de chargeur sont adaptés aux chargeurs à variation de tension MILWAUKEE M18™ et M12™, ainsi qu'aux chargeurs M18™. Pour monter un chargeur, installer une vis (CC) dans chaque bossage, ensuite glisser les fentes du chargeur en forme de trou de serrure sur la vis. Glisser le chargeur vers le plancher pour le verrouiller sur la vis.

Retrait des tiroirs

1. Ouvrir entièrement le tiroir et le rider.
2. Selon le côté, relever ou abaisser le levier de blocage sur les deux côtés, pour que les glissières puissent passer par dessus les butées. Sortir le tiroir pour le retirer.



Installation des tiroirs

1. Tirer les glissières et le portoir jusqu'à ce que le tiroir soit entièrement sorti.
2. Maintenir la glissière du poste de travail pendant son alignement avec la glissière du tiroir.
3. Insérer délicatement un côté et répéter l'opération pour l'autre côté.
4. Pousser doucement le tiroir jusqu'à ce qu'il soit entièrement fermé pour enclencher la glissière.
5. Ouvrir et fermer le tiroir pour vérifier que le produit fonctionne correctement.

ENTRETIEN

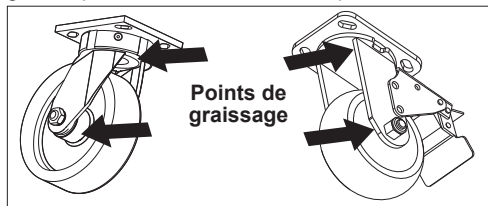
⚠ AVERTISSEMENT Pour réduire le risque de blessure, communiquez avec le support technique du service après-vente de la société MILWAUKEE pour TOUTES les réparations et pièces de rechange.

Entretien du poste de travail

Garder les poste de travail en bon état en le soumettant à un programme d'entretien régulier. Avant l'utilisation, examiner l'état général de votre poste de travail. Rechercher les vis desserrées, les alignements incorrects, les roues bloquées, les pièces cassées et tout autre problème qui pourrait affecter le bon fonctionnement du produit. Ne pas utiliser un poste de travail endommagé.

Entretien des roulettes

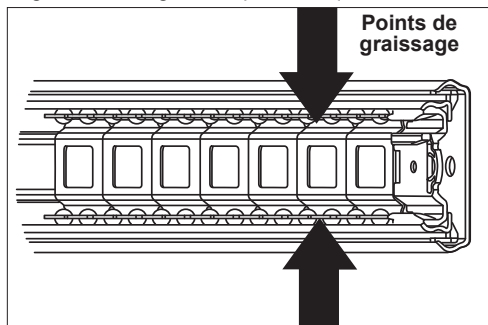
Graisser les roulettes tous les ans à l'aide d'une graisse pour roulements de haute qualité.



Points de graissage

Entretien des tiroirs

1. Nettoyer des tiroirs avec un détergent doux et de l'eau.
2. Retirer la graisse et l'huile dans le tiroir avec un liquide de nettoyage ininflammable standard.
3. L'utilisation de revêtements de tiroir est recommandée pour protéger la finition à l'intérieur des tiroirs et faciliter leur nettoyage. Les revêtements de tiroir peuvent être nettoyés avec de l'eau et du savon.
4. Lubrifier les glissières tous les six mois avec une graisse à usages multiples ou équivalent.



Points de graissage

Nettoyage

Ce produit en acier est muni revêtu d'une poudre industrielle pour offrir une finition durable. Pour protéger la finition en poudre, ne pas laisser les produits chimiques agressifs (huile, graisse ou autre produit chimique) agir sur la surface du revêtement en poudre. Utiliser un nettoyant à vitres pour nettoyer et entretenir toutes les surfaces du revêtement en poudre.

S'assurer que les poignées et les roues du poste de travail restent propres, sèches et exemptes d'huile ou de graisse. Utiliser uniquement un savon doux et un chiffon humide pour nettoyer votre poste de travail, car certains agents de nettoyage et solvants peuvent détériorer le plastique. En voici des exemples : l'essence, la térébenthine, les diluants à laque, les solvants chlorés, l'ammoniaque et les détergents à usage domestique qui en contiennent. Ne jamais utiliser de solvants inflammables ou combustibles autour les postes de travail.

Entretien

Pour obtenir des informations sur l'entretien et les réparations, y compris la commande de pièces de rechange, appelez le support technique du service après-vente de notre société au 1-800-729-3878, ou consultez notre site Web à l'adresse www.milwaukeeetool.com.

ACCESOIRES

AVERTISSEMENT Modifier le poste de travail pour accueillir d'autres accessoires peut être dangereux et entraîner des blessures ou des dommages matériels. Utiliser uniquement les accessoires spécifiquement recommandés, conformément aux instructions du fabricant.

Pour une liste complète des accessoires, visiter le site internet www.milwaukeeetool.com ou contactez un distributeur.

SERVICE - CANADA

Milwaukee Tool (Canada) Ltd

1.800.268.4015

Monday-Friday, 7:00 AM - 4:30 PM CST

www.milwaukeeetool.ca

GARANTIE LIMITÉE - AUX ÉTATS-UNIS ET AU CANADA

Chaque coffret et armoire de rangement en acier de MILWAUKEE est garanti à l'acheteur d'origine seulement pour être exempt de défauts de matériaux et de fabrication. Sous réserve de certaines exceptions, MILWAUKEE entreprendra la réparation ou le remplacement de toute pièce du coffret ou de l'armoire qui, après examen, est avérée par MILWAUKEE renfermer un défaut de matériau ou de fabrication et ce pendant une période de trois (3) ans après la date d'achat. Il est nécessaire de retourner le coffret ou l'armoire au point d'achat. Une copie de la preuve d'achat doit accompagner le produit retourné. La présente garantie ne s'applique pas aux dommages que MILWAUKEE détermine être dus à des réparations effectuées ou tentées par toute personne autre que le personnel agréé par MILWAUKEE, à une mauvaise utilisation, à des modifications, à des abus, à une usage normale, à un manque d'entretien ou à un accident.

L'enregistrement de la garantie n'est pas requis pour pouvoir bénéficier de la garantie applicable à un coffret ou une armoire de rangement en acier de MILWAUKEE. La date de fabrication du produit sera utilisée pour déterminer la période de garantie si aucune preuve d'achat n'est fournie avec la réclamation de garantie.

Si vous pensez que votre produit présente un défaut de garantie, ou si vous avez besoin d'informations sur une pièce de service/remplacement, veuillez communiquer avec MILWAUKEE au 1.800.SAWDUST (1.800.729.3878) pour les instructions.

L'ACCEPTATION DU SEUL ET EXCLUSIF RECOURS À LA RÉPARATION ET AU REMPLACEMENT DÉCRITS DES LES PRÉSENTES EST UNE CONDITION DU CONTRAT D'ACHAT D'UN QUELCONQUE PRODUIT DE MILWAUKEE. SI VOUS N'ACCEPTÉZ PAS CETTE CONDITION, VOUS NE DEVEZ PAS ACHETER LE PRODUIT. EN AUCUN CAS, MILWAUKEE NE SERA TENUE RESPONSABLE DES DOMMAGES ACCESSOIRES, SPÉCIAUX, INDIRECTS OU PUNITIFS, OU DES COÛTS, HONORAIRES D'AVOCAT, FRAIS, PERTES OU RETARDS ALLÉGUÉS ÊTRE AUSSI UNE CONSÉQUENCE DE TOUT DOMMAGE, DÉFAILLANCE OU DÉFAUT RELATIFS AU PRODUIT Y COMPRIS, MAIS SANS S'Y LIMITER, TOUTE RÉCLAMATION POUR PERTE DE PROFITS. CERTAINS ÉTATS N'AUTORISENT PAS L'EXCLUSION OU LA LIMITATION DES DOMMAGES INDIRECTS OU CONSÉCUTIFS; LA LIMITATION OU L'EXCLUSION CI-DESSUS PEUT DONC NE PAS S'APPLIQUER À VOUS. LA PRÉSENTE GARANTIE EST EXCLUSIVE ET EN LIEU ET PLACE DE TOUTE AUTRE GARANTIE EXPRESSE, ÉCRITE OU ORALE. DANS LA MESURE PERMISE PAR LA LOI, MILWAUKEE EXCLUT TOUTE GARANTIE IMPLICITE, Y COMPRIS, MAIS SANS S'Y LIMITER, TOUTE GARANTIE IMPLICITE DE QUALITÉ MARCHANDE OU D'ADEQUATION À UN USAGE PARTICULIER; DANS LA MESURE OU CETTE RENONCIATION N'EST PAS AUTORISÉE PAR LA LOI, CES GARANTIES IMPLICITES SONT LIMITÉES À LA DURÉE DE LA GARANTIE EXPLICITE APPLICABLE TEL QUE DÉCRITE CI-DESSUS. CERTAINS ÉTATS N'AUTORISENT LES LIMITATIONS SUR LA DURÉE D'UNE GARANTIE IMPLICITE; LA LIMITATION CI-DESSUS PEUT DONC NE PAS S'APPLIQUER À VOUS. LA PRÉSENTE GARANTIE VOUS DONNE DES DROITS JURIDIQUES SPÉCIFIQUES, ET VOUS POUVEZ ÉGALEMENT AVOIR D'AUTRES DROITS QUI VARIENT D'UN ÉTAT À UN AUTRE. La présente garantie est uniquement applicable aux produits vendus aux États-Unis et au Canada.

Veuillez consulter le centre de service « Trouver un service » dans la section Service et Pièces du site Web de MILWAUKEE (www.milwaukeeetool.com) ou appelez le 1.800.SAWDUST (1.800.729.3878) pour trouver le centre de service usine MILWAUKEE le plus proche de vous.

INSTRUCCIONES DE SEGURIDAD IMPORTANTES

⚠️ ADVERTENCIA Lea todas las advertencias e instrucciones de seguridad.

Si no sigue todas las advertencias e instrucciones, se pueden provocar una descarga eléctrica, un incendio o lesiones graves. **Guarde todas las advertencias e instrucciones para consultarlas en el futuro.**

- **Use la estación de trabajo y los accesorios de conformidad con estas instrucciones y en la manera prevista,** tomando en cuenta las condiciones de trabajo. El uso de la estación de trabajo para operaciones diferentes a las previstas podría generar una situación peligrosa.
- **Mantenga el área de trabajo limpia y bien iluminada.** Las áreas desordenadas u oscuras son propicias para los accidentes.
- **Ensamble por completo la estación de trabajo de conformidad con las instrucciones de ensamblado.** No deben sobrar piezas.
- **No modifique la estación de trabajo** de ninguna manera. Utilice únicamente los accesorios específicamente recomendados. Hacer orificios o modificar la estación de trabajo disminuirá la capacidad de carga, lo que puede ocasionar que la estación de trabajo colapse, provocando una lesión.
- **Bloquee las ruedas cuando la estación de trabajo no se vaya a mover.** Las ruedas desbloqueadas pueden permitir que la estación de trabajo se mueva inesperadamente.
- **Mantenga la estación de trabajo sobre una superficie nivelada. No cargue, descargue ni estacione la estación de trabajo en una pendiente.** La estación de trabajo puede desbalancearse y volcarse provocando lesiones.
- **Siempre equilibre la carga de la estación de trabajo para evitar volcaduras.** Las estaciones de trabajo desbalanceadas son más propensas a volcarse cuando se mueven o cuando se usan sus superficies de trabajo. Distribuya uniformemente el peso del frente hacia atrás y de lado a lado. Coloque más de la mitad del peso de carga total en la estación de trabajo inferior cuando sea posible. Para ayudar a evitar la volcadura de la estación de trabajo, cargue el producto empezando con los cajones inferiores.
- **No exceda el peso máximo del producto, incluyendo el contenido. No exceda el peso máximo para cada cajón.** Las estaciones de trabajo sobre cargadas pueden volcarse, colapsarse o dañar los rieles de los cajones.
- **No abra más de un cajón a la vez.** La estación de trabajo puede volcarse provocando una lesión.
- **Mantenga alejados a los niños y transeúntes mientras carga, descarga y mueve la estación de trabajo.** Las distracciones pueden ocasionar la pérdida de control.
- **Levante la estación de trabajo únicamente de acuerdo con las instrucciones** de este manual. Otros métodos pueden ser peligrosos y resultar en lesiones.
- **Solo transporte la estación de trabajo cuando esté vacía. Asegúrela correctamente cuando la transporte.**
- **No monte la estación de trabajo en la caja de un camión ni en ningún otro objeto en movimiento.**
- **Bloquee todos los cajones antes de rodar la estación de trabajo.** Los cajones podrían abrirse y

hacer que la estación de trabajo se vuelva inestable y se vuelque.

- **Ruede la estación de trabajo únicamente en distancias cortas usando la manija que se proporciona.**
- **Asegure todos los objetos antes de rodar la estación de trabajo.** Los objetos sueltos podrían moverse, ocasionando que la estación de trabajo se vuelva inestable.
- **No use los cajones como escalones. No se pare sobre la estación de trabajo.** La estación de trabajo puede convertir, provocando una lesión.
- **No se pare encima de la repisa lateral.** La repisa puede colapsarse o quebrarse. La estación de trabajo puede volcarse, provocando una lesión.
- **No utilice la estación de trabajo en atmósferas explosivas,** tales como en presencia de líquidos, gases o polvos inflamables. Este equipo tiene partes internas que producen arcos eléctricos o chispas. La estación de trabajo no debe ubicarse en un área empotrada o que esté debajo del nivel del suelo.
- **Los enchufes de la estación de trabajo deben corresponder al tomacorriente. Nunca modifique el enchufe de ninguna manera. No utilice adaptadores de enchufe con conectores múltiples aterrizados de la estación de trabajo.** Los enchufes y tomacorrientes correspondientes sin modificar reducirán el riesgo de descarga eléctrica.
- **Evite el contacto corporal con superficies aterrizadas, tales como tuberías, radiadores, estufas y refrigeradores.** Existe un riesgo mayor de descarga eléctrica si su cuerpo está aterrizado.
- **Dé mantenimiento a la estación de trabajo.** Verifique que no haya desalineación o amarre de las ruedas, rieles de cajones u otras partes rotas o dobladas y alguna otra condición que pudiera afectar el funcionamiento de la estación de trabajo. No use una estación dañada.
- **Conserve las etiquetas y placas nominales.** Incluya información importante. Si son ilegibles o no están presentes, comuníquese con un centro de servicio MILWAUKEE para obtener un reemplazo gratuito.
- **Lleve su estación a servicio con un técnico calificado que use únicamente piezas de reemplazo idénticas.** Esto asegurará que se mantenga la seguridad de la estación de trabajo.

Federal Communications Commission

ADVERTENCIA: Los cambios o modificaciones hechos a esta unidad sin la autorización expresa del responsable del cumplimiento de la norma podrían anular la autoridad del usuario para manejar el equipo.

Este dispositivo cumple con el apartado 15 de las normas de la FCC. Su operación está sujeta a las siguientes dos condiciones: (1) este dispositivo no debe ocasionar interferencia nociva y (2) este dispositivo debe aceptar cualquier interferencia que se reciba, incluyendo la interferencia que pueda ocasionar operación indeseada.

Se ha verificado y determinado que este equipo cumple con los límites correspondientes a los dispositivos digitales de Clase B, de acuerdo con la Parte 15 de las Normas de la FCC. Estos límites se han diseñado para garantizar una protección razonable contra interferencias perjudiciales en instalaciones residenciales. Este equipo genera, utiliza y puede radiar energía de radiofrecuencia y, si no se instala y utiliza en conformidad con las instrucciones, puede generar interferencia perjudicial para la radiocomunicación.

No obstante, no se garantiza que no se produzca interferencia en una instalación concreta. Si este equipo, en efecto, genera interferencia perjudicial para la recepción de radio o televisión, que se puede determinar apagando y encendiendo el equipo, se insta al usuario a intentar corregir la interferencia tomando una o varias de las siguientes medidas:

- Reorientar o reubicar la antena receptora.
- Aumentar la distancia que separa al equipo del receptor.
- Conectar el equipo a un tomacorriente de otro circuito distinto a aquel que tiene conectado el receptor.
- Solicitar ayuda al distribuidor o a un técnico de radio y televisión experto.

TIERRA

⚠ ADVERTENCIA La conexión incorrecta del cable de aterrizado puede provocar un riesgo de descarga eléctrica. Verifique con un electricista calificado si tiene alguna duda sobre si el tomacorriente está correctamente aterrizado. No modifique el enchufe que se proporciona con la estación de trabajo. Nunca elimine del enchufe la clavija que ofrece conexión a tierra. No use la estación de trabajo si el cable o el enchufe están dañados. Repare los daños antes del uso. Si el enchufe no se puede conectar al tomacorriente, pida a un electricista calificado que instale un tomacorriente adecuado.

Las estaciones de trabajo con enchufes de tres clavijas

Las estaciones de trabajo marcadas con "requiere conexión a tierra" tienen un múltiple con un cable de tres alambres y un enchufe de tres clavijas de conexión a tierra. El enchufe debe conectarse a un tomacorriente correctamente conectado a tierra (vea la Figura A). Si el múltiple tiene una falla eléctrica o se avería, la conexión a tierra proporciona una ruta de baja resistencia para alejar la electricidad del usuario y reducir el riesgo de una descarga eléctrica.



La clavija de conexión a tierra en el enchufe se conecta mediante el alambre verde dentro del cable hacia el sistema de conexión a tierra del múltiple. El alambre verde en el cable debe ser el único cable conectado al sistema de conexión a tierra del múltiple y nunca debe conectarse a una terminal alimentada. Su múltiple debe conectarse a un tomacorriente adecuado que esté correctamente instalado y conectado a tierra en cumplimiento con todos los códigos y ordenanzas. El enchufe y el tomacorriente deben ser como los que aparecen en la Figura A.

ESPECIFICACIONES

Cat. No.	48-22-8553
Capacidad del cajón de dos rieles.....	45,4 kg (100 lbs.)
Capacidad del cajón de cuatro rieles	90,7 kg (200 lbs.)
Capacidad total.....	816,5 kg (1 800 lbs.)
Voltaje de entrada de CA.....	120
Hertz	60
Amperios	15
Voltios de salida USB	5
Vatios de USB	10,5
Amperios de USB	2,1
Temperatura máxima de operación	105 °C (221°F)

SIMBOLOGÍA



Advertencia



Lea el manual del operador



Riesgo de descarga eléctrica



No abra más de un cajón a la vez. La estación de trabajo puede volcarse provocando una lesión.



Bloquee las ruedas cuando la estación de trabajo no se vaya a mover. Las ruedas desbloqueadas pueden permitir que la estación de trabajo se mueva inesperadamente.



No use los cajones como escalones. No se pare sobre la estación de trabajo. La estación de trabajo convertirá, provocando una lesión.

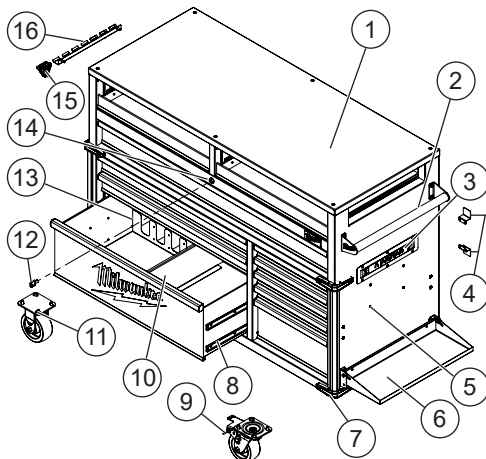


Bloquee la tapa y todos los cajones antes de mover la estación de trabajo.



No se pare encima de la repisa lateral. La repisa puede colapsarse o quebrarse. La estación de trabajo puede volcarse, provocando una lesión.

DESCRIPCION FUNCIONAL



1. Superficie de trabajo de madera
2. Manija lateral
3. Tomacorriente múltiple con puertos USB
4. Soporte para almacenamiento del cable
5. Montajes para cargador
6. Repisa de almacenamiento
7. Protector
8. Riel del cajón
9. Rueda pivotante con freno
10. Divisor de cajón
11. Rueda rígida
12. Llave
13. Organizador de herramientas
14. Seguro
15. Destapador
16. Colgador de herramientas

ENSAMBLAJE

⚠ PRECAUCIÓN Asegúrese de seguir las instrucciones de ensamblado para la estación de trabajo correspondiente. No use herramientas eléctricas para ensamblar la estación de trabajo. Apriete los pernos con llaves manuales.

Herramientas requeridas



Destornillador
Phillips



Lentes de
seguridad



Llave de
10 mm



Llave de
13 mm

Tornillería incluida

NOTA: Los objetos no se muestran en su tamaño real.

Tornillería	Artículo	Descripción	Cantidad
AA		Perno M6 x 16L	10
BB		Tornillo M4 x 16L	12
CC		Tornillo M4 x 12L	8
DD		Arandela de nylon 19 x 8,5 x 1,5	2
EE		Tuerca M6	2
FF		Perno de tope M6 x 8L	2
GG		Tornillo M6 x 16L	2

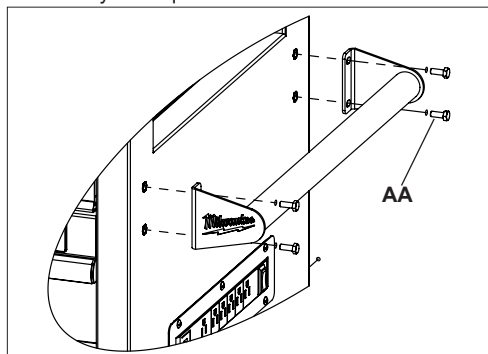
Artículo	Descripción	Cantidad
	Manija lateral	1
	Protector frontal	4
	Protector trasero	2
	Extrusión de esquina del gabinete	2
	Soportes del almacenamiento del cable	2
	Colgador de herramientas	1
	Soporte de la bisagra de la repisa	2
	Destapador	1
	Rueda pivotante con freno	2
	Rueda rígida	2

NOTA: Empiece el ensamble del producto cerca de la ubicación final prevista de su estación de trabajo. Este producto es pesado y puede ser difícil de mover después de ensamblarlo.

Instalación de la manija lateral

Instale la manija lateral en el bano rodante usando cuatro pernos (AA). El asa lateral puede colocarse en cualquiera de los dos lados de la estación de trabajo.

NOTA: Los orificios de la estación de trabajo están roscados y no requieren tuercas.



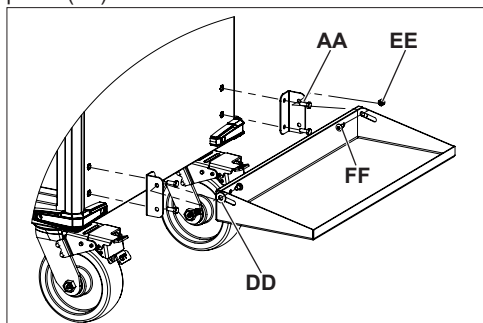
Instalación de los soportes del almacenamiento del cable

Instale los soportes a la estación de trabajo con dos tornillos (CC) por soporte. Coloque los soportes de manera que uno esté orientado hacia arriba y el otro hacia abajo a fin de que el cable de corriente eléctrica pueda enrollarse alrededor de los soportes para su almacenamiento.

Colocación del colgador de herramientas
Una el colgador de herramientas al extremo izquierdo de la estación de trabajo usando dos pernos (AA).

Instalación de la repisa de almacenamiento

Coloque los soportes de la bisagra de la repisa en el gabinete derecho usando dos pernos (AA) para cada soporte. Coloque la repisa de almacenamiento a los soportes usando una arandela (DD), tuerca (EE) y perno (FF) en cada extremo.

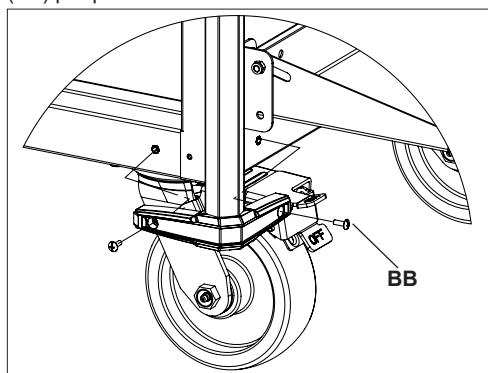


Instalación de extrusiones de esquina y protectores

Coloque los protectores frontales en ambos extremos de la extrusión, deslizándola dentro de la cavidad de los protectores.

Coloque los protectores frontales con extrusiones usando dos tornillos (BB) por protector.

Coloque los dos protectores traseros en la parte trasera del gabinete inferior usando dos tornillos (BB) por protector.



Cómo invertir la superficie de trabajo de madera

La superficie de trabajo de madera viene pre instalada con la estación de trabajo. Después del desgaste normal, la superficie puede invertirse para usar la superficie nueva. Para invertirla, retire los seis tornillos de la parte superior de la superficie de trabajo de madera, voltee la superficie y vuelva a instalar los seis tornillos.

Instalar el destapador

Coloque el destapador en el lado izquierdo del gabinete usando dos tornillos (GG).

Tomacorriente USB

Los puertos USB en un tomacorriente pueden usarse para cargar cualquier dispositivo que use menos de 2,1A de corriente eléctrica CC.

NOTA: cualquier dispositivo que use más de 2,1 A de corriente eléctrica activará una sobrecarga auto-restableable.

Instalación de los revestimientos de los cajones

Coloque los revestimientos en los cajones del tamaño correspondiente para proteger la superficie.

OPERACION

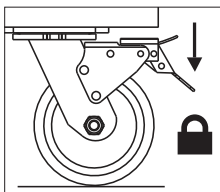
⚠ ADVERTENCIA Para evitar lesiones o daños a la propiedad, no supere la capacidad máxima de los anaqueles. Tenga cuidado al mover la estación de trabajo en una pendiente o superficie áspera. La estación de trabajo puede volcarse si el peso no está distribuido uniformemente del frente hacia atrás y de lado a lado. Coloque más de la mitad del peso de carga total en la estación de trabajo inferior cuando sea posible.

Bloqueo y desbloqueo de la estación de trabajo

NOTA: Los cajones deben cerrarse por completo antes de bloquear/desbloquear la unidad. Inserte la llave. Gírela por completo hacia la izquierda para bloquear y completamente hacia la derecha para desbloquear. Siempre retire la llave después de bloquear y desbloquear.

Uso de los frenos de las ruedas

Para bloquear las ruedas pivotantes, pise las palancas marcadas con la palabra **ON** (Activado). Asegúrese de bloquear todas las ruedas para evitar que la estación de trabajo ruede o gire. Para desbloquear las ruedas, empuje hacia abajo las palancas marcadas con la palabra **OFF** (Desactivado).



Para mover la estación de trabajo sobre una pendiente o superficie áspera

Tenga cuidado de que la estación de trabajo no se vuelque o desbalancee cuando la mueva sobre una pendiente o superficie áspera. La pendiente no debe ser superior a 10 grados. Bloquee la estación de trabajo y asegure todos los objetos antes de moverla.

Para rodar la estación de trabajo

La estación de trabajo está diseñada para rodar únicamente distancias cortas. Solo ruede la estación de trabajo usando la manija. No empuje ni jale el armazón de la estación de trabajo para moverla pues el producto puede volcarse. No modifique la estación de trabajo de ninguna manera. Hacer orificios o modificar la estación de trabajo disminuirá la capacidad de carga, lo que puede ocasionar que la estación de trabajo colapse, provocando una lesión. Bloquee la estación de trabajo y asegure todos los objetos antes de rodarla.

Levantamiento de la estación de trabajo

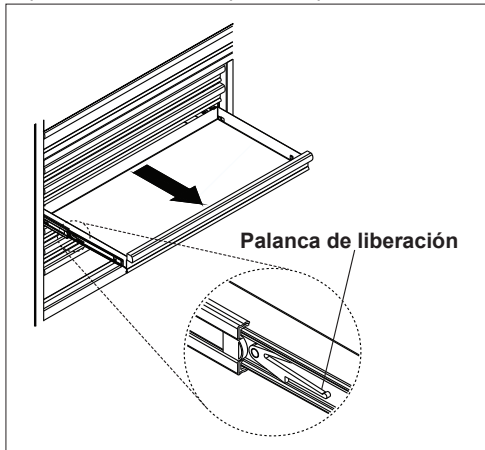
La estación de trabajo no están diseñados para levantarse. Sin embargo, si necesita levantarlos, vacíe la estación de trabajo y luego coloque correas o una horquilla dentro y junto a las ruedas. No levante las estaciones de trabajo cargadas. Asegúrese de que todos los transeúntes estén alejados antes de levantar la estación de trabajo.

Montaje de cargadores

La estación de trabajo viene equipado con cuatro barras de montaje para cargador preinstaladas, ubicadas abajo del tomacorriente múltiple. Los montajes para cargador son adecuados para sostener cargadores de voltajes múltiples MILWAUKEE M18™ y M12™, así como cargadores M18™. Para montar un cargador, instale un tornillo (CC) en cada barra, luego deslice las ranuras en forma de ojo de cerradura del cargador sobre los tornillos. Deslice el cargador hacia el piso para trabarlo sobre los tornillos.

Cómo retirar los cajones

1. Extienda por completo y vacíe el cajón.
2. Dependiendo del lado, levante o baje la palanca de liberación en ambos lados para que los rieles puedan brincar los topes. Tire para retirar.



Instalación de los cajones

1. Jale los rieles y el portariel hacia afuera hasta que estén completamente extendidos.
2. Sostenga el riel de la estación de trabajo mientras lo alinea con el riel del cajón.
3. Inserte ligeramente un lado y repita con el otro lado.
4. Empuje lentamente el cajón hasta que esté completamente cerrado y enganchado con el riel.
5. Abra y cierre el cajón para comprobar una operación correcta.

MANTENIMIENTO

⚠ ADVERTENCIA Para reducir el riesgo de lesiones, comuníquese con **Soporte Técnico Corporativo Post Venta de MILWAUKEE para TODAS las solicitudes de reparación y piezas de reemplazo.**

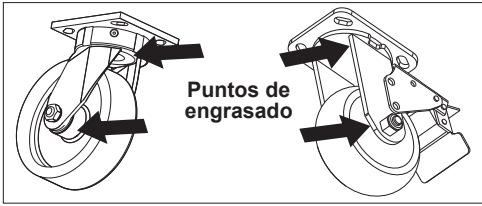
Mantenimiento de las herramientas

Mantenimiento de la estación de trabajo

Mantenga su estación de trabajo en buenas condiciones adoptando un programa periódico de mantenimiento. Antes de usarla, examine la condición general de su estación de trabajo. Verifique que no haya tornillos sueltos, desalineación, amarre de las ruedas, piezas rotas y cualquier otra condición que pudiera afectar su operación segura. No use una estación de trabajo dañada.

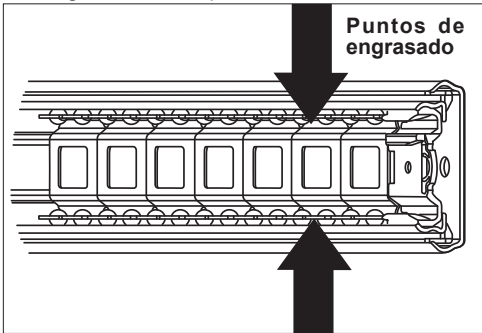
Mantenimiento de las ruedas

Engrase las ruedas anualmente usando una grasa para rodamientos de alta calidad.



Mantenimiento de los cajones

1. Limpie periódicamente los cajones con un detergente suave y agua.
2. Retire la grasa y el aceite del cajón con un líquido de limpieza estándar no inflamable.
3. Se recomienda usar los revestimientos de los cajones para proteger el acabado del interior de los cajones y facilitar la limpieza de los mismos. Los revestimientos de los cajones pueden limpiarse con jabón y agua.
4. Lubrique los rieles dos veces al año con grasa de uso general o su equivalente.



Limpieza

Este producto de acero se ha recubierto con una pintura electrostática industrial para un acabado duradero. Para ayudar a proteger el acabado de la pintura electrostática, no permita que permanezcan químicos agresivos (aceite, grasa u otros químicos) en la superficie de la pintura. Use un limpiador de vidrio para limpiar y mantener todas las superficies de la pintura electrostática. Mantenga las manijas de la estación de trabajo y las ruedas limpias, secas y libres de aceite o grasa. Use solamente jabón suave y un paño húmedo para limpiar la estación de trabajo, puesto que ciertos agentes de limpieza y solventes son dañinos para los plásticos. Algunos de estos incluyen la gasolina, trementina, adelgazador de barniz, solventes de limpieza con cloro, amoníaco y detergentes caseros que contienen amoníaco. Nunca use solventes inflamables o combustibles alrededor de las estaciones de trabajo.

Servicio

Para información sobre el servicio y reparación, incluyendo los pedidos para partes de reemplazo, llame a nuestra línea de Soporte Técnico Corporativo Post Venta al 1-800-729-3878, o visite nuestro sitio web www.milwaukeetool.com.

ACCESORIOS

⚠️ ADVERTENCIA Modificar la estación de trabajo para adaptar otros accesorios puede ser peligroso, pues puede resultar en lesiones o daños a la propiedad. Use únicamente los accesorios específicamente recomendados de acuerdo con las instrucciones del fabricante.

Para una lista completa de accesorios, visite nuestro sitio en Internet: www.milwaukeetool.com o póngase en contacto con un distribuidor.

SOPORTE DE SERVICIO - MEXICO

CENTRO DE ATENCION A CLIENTES

Techtronic Industries Mexico, S.A. de C.V.

Av. Presidente Masarik 29 Piso 7

11560 Polanco V Seccion

Miguel Hidalgo, Distrito Federal, México

01 (800) 030-7777 o (55) 4160-3540

Lunes a Viernes (9am a 6pm)

O contáctanos en www.milwaukeetool.com.mx

GARANTÍA LIMITADA - E.U.A. Y CANADÁ

Las garantías de todas las cajas y gabinetes de almacenamiento de acero MILWAUKEE son para el comprador original y únicamente por defectos en materiales y mano de obra. Sujeto a ciertas excepciones, MILWAUKEE reparará o reemplazará cualquier parte de una caja o gabinete que tenga defectos de material o mano de obra según lo determine MILWAUKEE mediante una revisión, por un periodo de tres (3) años después de la fecha de compra. Se requiere devolver la caja o gabinete al lugar de compra. Se debe incluir una copia del comprobante de compra con el producto devuelto. Esta garantía no aplica a daños que MILWAUKEE determine que son ocasionados por reparaciones o intentos de reparaciones realizados por una persona que no sea personal autorizado de MILWAUKEE, uso indebido, alteraciones, maltrato, desgaste normal, falta de mantenimiento o accidentes.

No se requiere el registro de la garantía para obtener la garantía correspondiente de una caja o gabinete de almacenamiento MILWAUKEE. La fecha de manufactura del producto se utilizará para determinar el periodo de garantía si no se proporciona comprobante de compra al solicitar el servicio en garantía.

Si considera que su producto tiene un defecto cubierto por la garantía o si necesita información sobre una pieza de servicio/reemplazo, comuníquese con MILWAUKEE al 1.800.SAWDUST (1.800.729.3878) para recibir instrucciones.

LA ACEPTACIÓN DE LOS REMEDIOS EXCLUSIVOS DE REPARACIÓN Y REEMPLAZO AQUÍ DESCRITOS ES UNA CONDICIÓN DEL CONTRATO PARA LA COMPRA DE TODO PRODUCTO DE MILWAUKEE. SI USTED NO ACEPTA ESTA CONDICIÓN, NO DEBE COMPRAR EL PRODUCTO. MILWAUKEE NO SERÁ RESPONSABLE EN NINGÚN CASO DE DAÑOS INCIDENTALES, ESPECIALES, EMERGENTES O PUNITIVOS NI DE NINGÚN COSTO, HONORARIOS LEGALES, GASTOS, PÉRDIDAS O DEMORAS ALEGADAS COMO CONSECUENCIA DE ALGÚN DAÑO, FALLA O DEFECTO EN NINGÚN PRODUCTO, INCLUYENDO, ENTRE OTROS, RECLAMACIONES POR PERDIDA DE UTILIDADES. ALGUNOS ESTADOS NO PERMITEN LA EXCLUSIÓN O LIMITACIÓN DE RESPONSABILIDAD POR DAÑOS INCIDENTALES O EMERGENTES, POR LO QUE LA ANTERIOR LIMITACIÓN O EXCLUSIÓN PODRÍA NO APLICARSE EN SU CASO. ESTA GARANTÍA ES EXCLUSIVA Y REEMPLAZA TODAS LAS DEMÁS GARANTÍAS EXPRESAS, ESCRITAS U ORALES. EN LA MEDIDA EN QUE LO PERMITA LA LEY, MILWAUKEE DESCONOCE CUALQUIER GARANTÍA IMPLÍCITA, INCLUYENDO SIN LIMITACIÓN CUALQUIER GARANTÍA IMPLÍCITA DE COMERCIABILIDAD O IDONEIDAD PARA UN FIN O USO ESPECÍFICO; EN LA MEDIDA EN QUE DICHO DESCONOCIMIENTO NO SEA PERMITIDO POR LA LEY, DICHAS GARANTÍAS IMPLÍCITAS SE LIMITAN A LA DURACIÓN DE LA GARANTÍA EXPRESA CORRESPONDIENTE SEGÚN SE DESCRIBIÓ ANTERIORMENTE. ALGUNOS ESTADOS NO PERMITEN LIMITACIONES SOBRE LA DURACIÓN DE UNA GARANTÍA IMPLÍCITA, POR LO QUE LA ANTERIOR LIMITACIÓN PUDIERA NO APLICARSE A USTED. ESTA GARANTÍA LE DA DERECHOS LEGALES ESPECÍFICOS Y USTED PODRÍA ADEMÁS TENER OTROS DERECHOS QUE VARIAN DE UN ESTADO A OTRO. Esta garantía aplica a productos vendidos en los Estados Unidos y en Canadá únicamente.

Consulte la Búsqueda de Centros de Servicio en la sección de Refacciones y Servicio del sitio web de MILWAUKEE www.milwaukeetool.com o llame al 1.800.SAWDUST (1.800.729.3878) para localizar el Centro de Servicio de fábrica MILWAUKEE más cercano a usted.

Ambos productos incluyen:

BARRA MULTICONTACTO

Modelo: LTS-6N

120 V~ 15 A 60 Hz

Para uso interior. Temperatura máxima 105°C

Calibre: 14 AWG (3 x 2,08 mm²)

Longitud: 1,8 m

Exclusiva para uso interior

Desconecte la extensión mientras no esté en uso

No sobrepasar la corriente indicada

No intente reparar el producto

Importador/Importer:

SERVICIOS HOME DEPOT, S. de R.L. de C.V.

RICARDO MARGAIN 605 SANTA ENGRACIA,

SAN PEDRO GARZA GARCÍA,

NUEVO LEÓN, C.P. 66267

Tel/Phone 01 800 00 46633

MILWAUKEE TOOL
13135 West Lisbon Road
Brookfield, WI 53005 USA

58148553d1
04/19

Printed in China