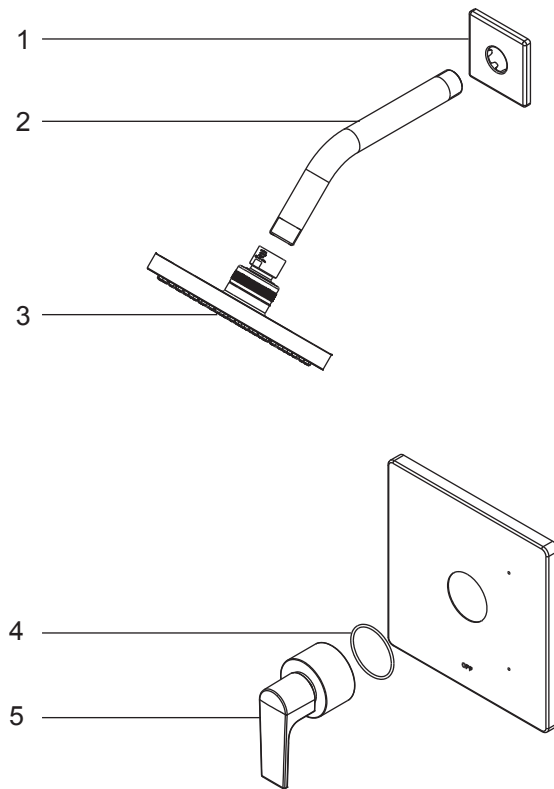


MFF-CHAS-CP
MFF-CHAS-BN
MFF-CHAS-ORB
MFF-CHAS-MB

NO.	Description	Part No.
1	Flange	5L0C1150CP/AP/HA/HBW0
2	Shower Arm	5P0027600CP/AP/HA/HBW0
3	Showerhead	5F0011600CP/AP/HA/HBW0A0
4	O-RING	5R0R0175PL
5	Handle Assembly	XXXXXXXXXX



Chatelet

Single-Handle Shower Only Trim

Fontaine
by Italia



Installation/Installation/Instalación

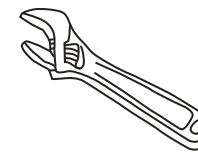
CUSTOMER SERVICE

TOLL-FREE 1-877-482-5422

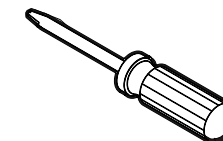


MFF-CHAS-CP (Polished Chrome)
MFF-CHAS-BN (PVD Brushed Nickel)
MFF-CHAS-ORB (Oil Rubbed Bronze)
MFF-CHAS-MB (Matte Black)

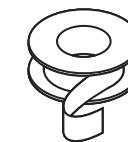
Tools You Will Need / Outils dont vous aurez besoin / Herramientas necesarias



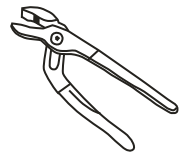
Adjustable Wrench
 Clé à molette
 Llave ajustable



Phillips Screwdriver
 Tournevis Phillips
 Destornillador cruciforme



Pipe Tape
 Ruban pour tuyau
 Cinta selladora para rosca



Groove join pliers
 Pince multiprise
 Pinzas ajustables

SAFETY TIPS

- If you use soldering for the installation of the faucet, the seats, cartridges and washers will have to be removed before using flame. Otherwise, warranty will be void on those parts.
- Cover your drain to avoid losing parts.
- 0°C~55°C.

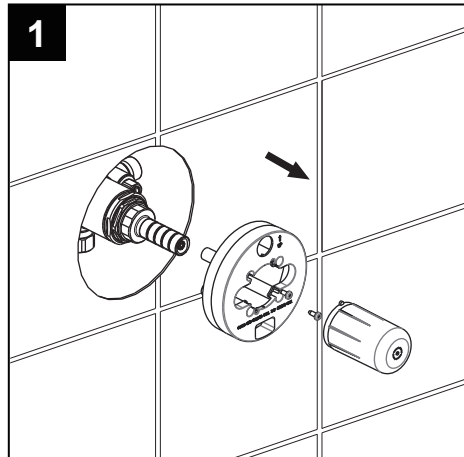
CONSIGNES DE SÉCURITÉ

- Si vous posez le robinet par brasage, il est essentiel de retirer les sièges, les cartouches et les rondelles avant d'appliquer la flamme, faute de quoi la garantie sur ces pièces sera annulée.
- Couvrez le drain pour ne pas perdre des pièces.
- 0°C~55°C.

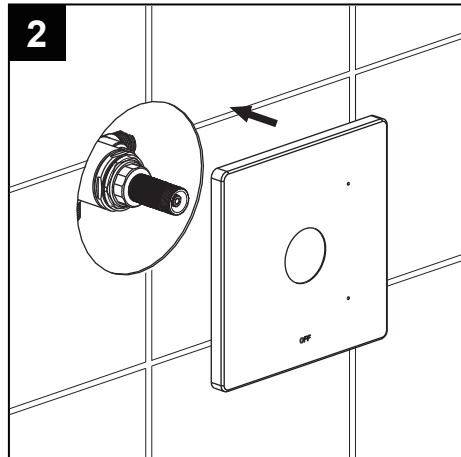
CONSEJOS DE SEGURIDAD

- En el caso de utilizar soldadura para instalar el grifo, remueva los asientos, cartuchos y arandelas antes de usar la llama. De lo contrario, se anulará la garantía para esos componentes.
- Tape la boca del desagüe para prevenir la pérdida de piezas pequeñas.
- 0°C~55°C.

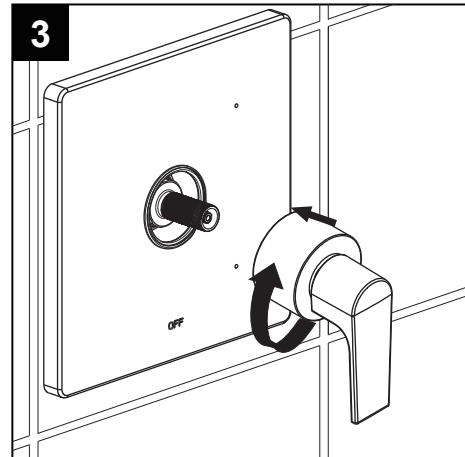
MFF-CHAS-CP
MFF-CHAS-BN
MFF-CHAS-ORB
MFF-CHAS-MB



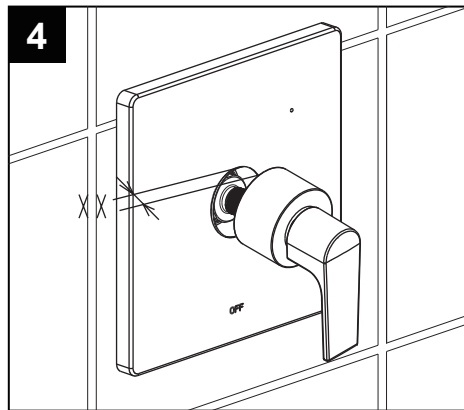
Remove the mud guard.



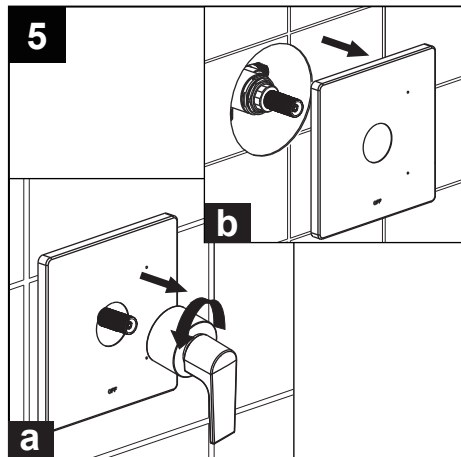
Carefully slide the escutcheon onto the valve.



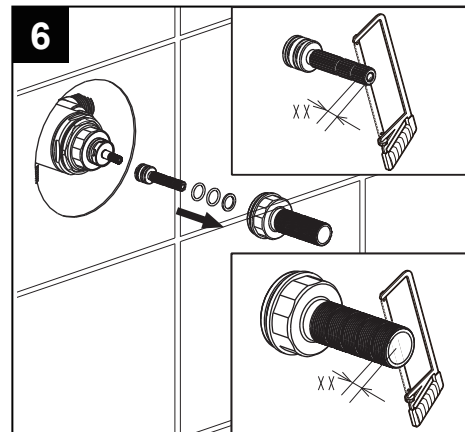
Place handle assembly on valve and rotate clockwise to secure escutcheon.



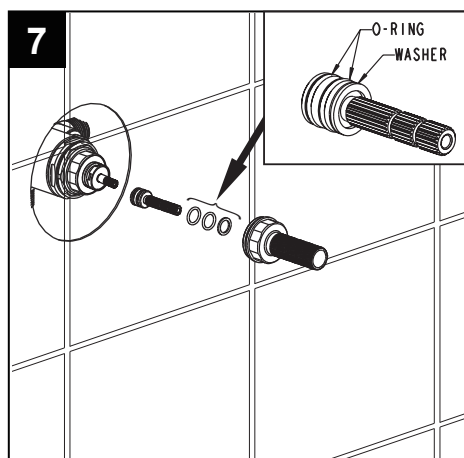
If handle assembly will not secure escutcheon to the wall, measure and note the distance 'XX' (the distance between the bottom of the handle assembly and the escutcheon)



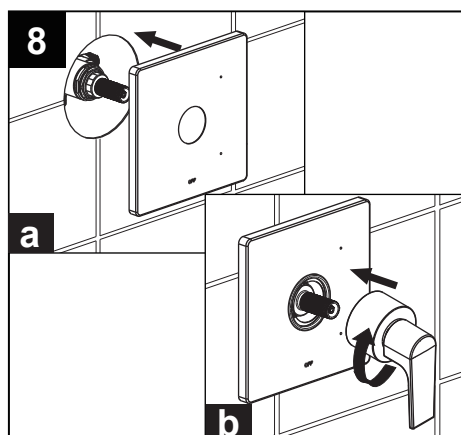
Unscrew the handle assembly anti-clockwise from valve and remove the escutcheon.



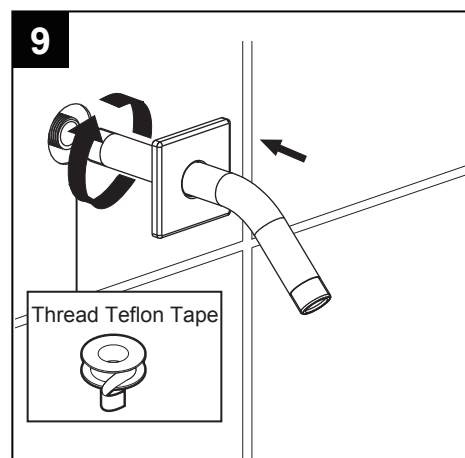
Cut stem and nipple the amount noted in step # 4. (Never cut the stem and nipple while still on the valve. This may damage the valve.)



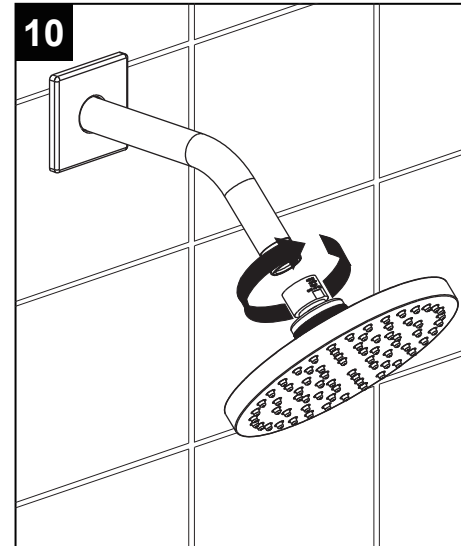
Re-install the trimmed stem and nipple on the valve.



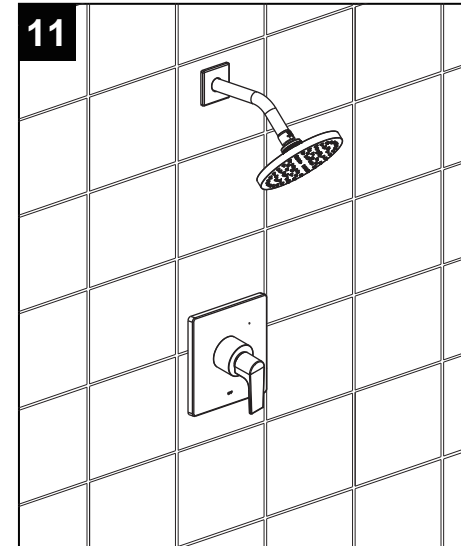
Carefully slide the escutcheon onto the valve and place handle assembly on valve and rotate clockwise to secure escutcheon.



Apply teflon tape to the shower arm and thread clockwise onto the nipple. Then slide the flange down.



Thread the shower head clockwise onto the shower arm.



Installation completed.