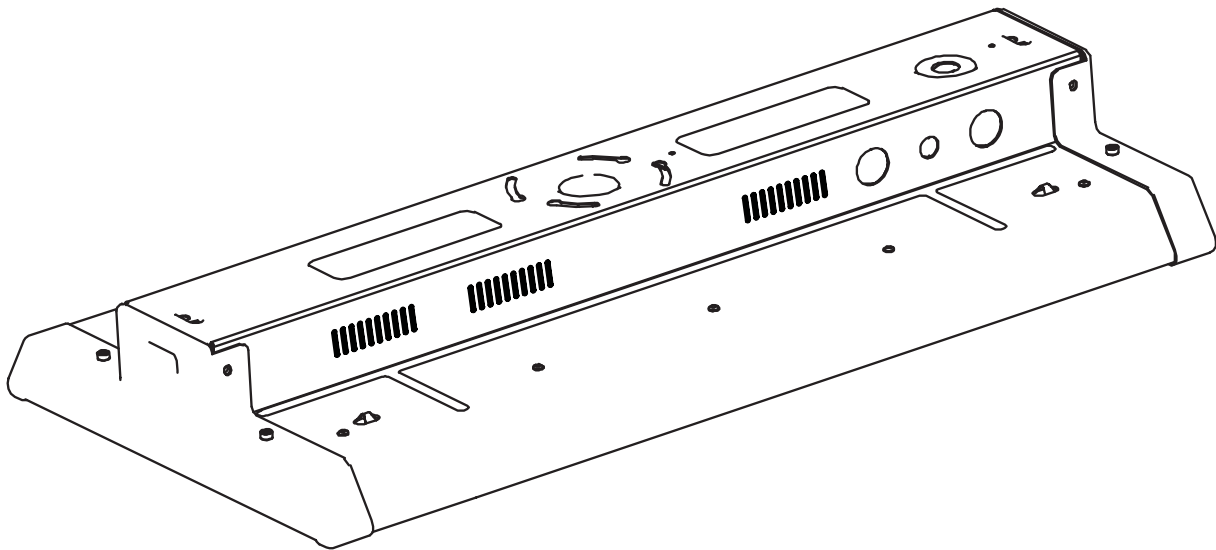


## USE AND CARE GUIDE

---

### 2 FT. LINEAR HIGH BAY LED LIGHT



Questions, problems, missing parts? Before returning to the store,  
call Commercial Electric Customer Service  
8 a.m. – 7 p.m., EST, Monday - Friday  
9 a.m. - 6 p.m., EST, Saturday

1-877-527-0313

HOMEDEPOT.COM



---


#### THANK YOU


*We appreciate the trust and confidence you have placed in Commercial Electric through the purchase of this LED light. We strive to continually create quality products designed to enhance your home. Visit us online to see our full line of products available for your home improvement needs. Thank you for choosing Commercial Electric!*

# Table of Contents

Table of Contents .....	2	Installation .....	4
Safety Information .....	2	Suspension Mounting .....	4
Warranty .....	2	Surface Mounting .....	7
Pre-Installation .....	3	Downrod Mounting .....	11
Planning Installation .....	3	Care and Cleaning .....	14
Tools Required .....	3	Troubleshooting .....	14
Package Contents .....	4		
Hardware Included .....	4		

# Safety Information


 **WARNING:** Carefully read and understand the information given in this manual before beginning the assembly and installation. Failure to do so could lead to electric shock, fire, or other injuries which could be hazardous or even fatal.

 **WARNING:** Ensure the electricity to the wires you are working on is shut off. Either remove the fuse or turn off the circuit breaker.

**NOTICE:** This equipment has been tested and found to comply with the limits for a Class B digital device, pursuant to Part 15B of the FCC Rules. These limits are designed to provide reasonable protection against harmful interference in a residential installation. This equipment generates, uses and can radiate radio frequency energy and, if not installed and used in accordance with the instructions, may cause harmful interference to radio communications.

However, there is no guarantee that interference will not occur in a particular installation. If this equipment does cause harmful interference to radio or television reception, which can be determined by turning the equipment off and on, the user is encouraged to try to correct the interference by one or more of the following measures:

- Reorient or relocate the receiving antenna.
- Increase the separation between the equipment and the receiver.
- Connect the equipment into an outlet on a circuit different from that to which the receiver is connected.
- Consult the dealer or an experienced radio/TV technician for help.

 **WARNING:** Changes or modifications not expressly approved by the party responsible for compliance could void the user's authority to operate the equipment.

# Warranty

## WHAT IS COVERED

The manufacturer warrants this lighting fixture to be free from defects in materials and workmanship for a period of five (5) years from date of purchase. This warranty applies only to the original consumer purchaser and only to products used in normal use and service. If this product is found to be defective, the manufacturer's only obligation, and your exclusive remedy, is the repair or replacement of the product at the manufacturer's discretion, provided that the product has not been damaged through misuse, abuse, accident, modifications, alterations, neglect, or mishandling.

## WHAT IS NOT COVERED

This warranty shall not apply to any product that is found to have been improperly installed, set-up, or used in any way not in accordance with the instructions supplied with the product. This warranty shall not apply to a failure of the product as a result of an accident, misuse, abuse, negligence, alteration, faulty installation, or any other failure not relating to faulty material or workmanship. This warranty shall not apply to the finish on any portion of the product, such as surface and/or weathering, as this is considered normal wear and tear.


The manufacturer does not warrant and specifically disclaims any warranty, whether express or implied, of fitness for a particular purpose, other than the warranty contained herein. The manufacturer specifically disclaims any liability and shall not be liable for any consequential or incidental loss or damage, including but not limited to any labor / expense costs involved in the replacement or repair of said product.

Contact the Customer Service Team at 1-877-527-0313 or visit [www.HomeDepot.com](http://www.HomeDepot.com).

# Pre-Installation

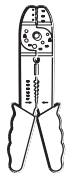
## PLANNING INSTALLATION

Before beginning assembly, installation or operation of product, make sure all parts are present. Compare parts with the package contents list and hardware included list. If any part is missing or damaged, do not attempt to assemble, install or operate the product. Contact customer service for replacement parts.

 **NOTE:** Keep your receipt and these instructions for proof of purchase.

If you are unfamiliar with electrical installations, we recommend you contact a qualified electrician to do the installation.

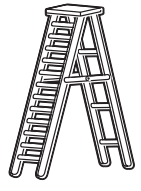
## TOOLS REQUIRED



Wire Strippers



Safety Goggles



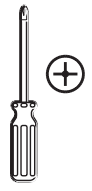
Ladder



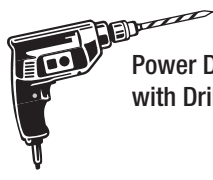
Gloves



Pliers



Phillips Screwdriver



Power Drill with Drill Bits



Wire Cutters



Hook Screws\*




1/2 in. Snap-in Bushing\*



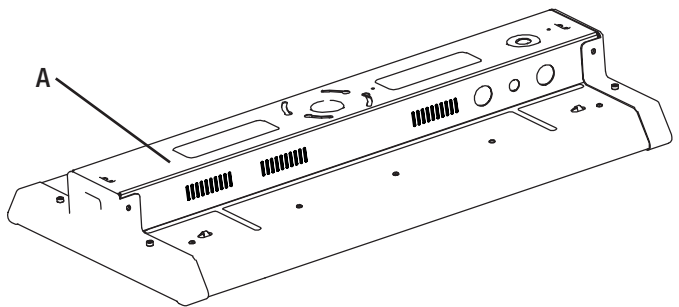
Rigid Pipe\*\*

\* For Suspension Mounting only  
 \*\* For Downrod Mounting only

 **NOTE:** Eye hooks can be used as an alternate method of attaching the fixture to the ceiling when suspension mounting.

## PACKAGE CONTENTS

Part	Description	Quantity
A	Fixture Body	1



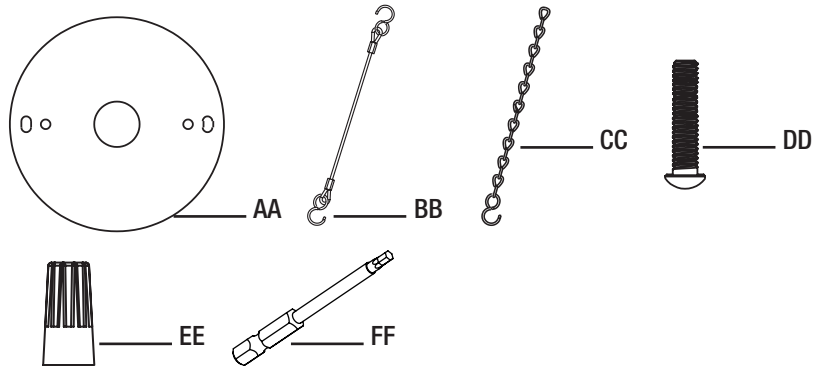
# Pre-Installation (continued)

## HARDWARE INCLUDED



**NOTE:** Hardware not shown to actual size.

Part	Description	Quantity
AA	Cover Plate	1
BB	Cable Set	2
CC	Chain with S-Hook	2
DD	Electrical Box Screw	2
EE	Wire Connector	3
FF	Power Tool Hex Bit	1



## Installation



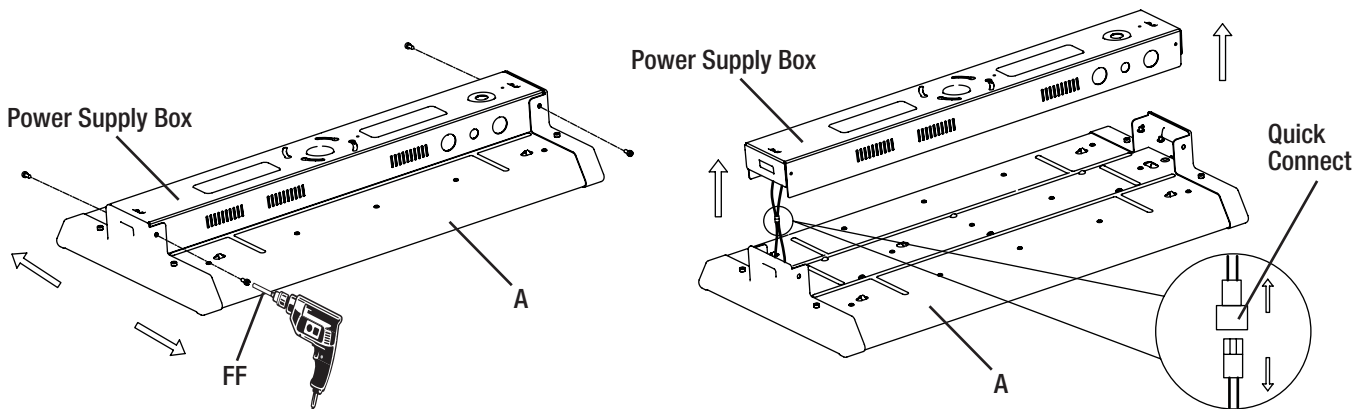
**WARNING: RISK OF ELECTRIC SHOCK.** Ensure the electricity to the wires you are working on is shut off. Either remove the fuse or turn off the circuit breaker before removing the existing light fixture or installing the new one.

With power disconnected to the electrical box, remove the existing fixture. Make a sketch of how the current fixture is wired (by wire color) or mark the wires with masking tape and a pencil so you will know how to properly reconnect the wires to the new LED light fixture.

## Suspension Mounting

### 1 Removing the power supply box

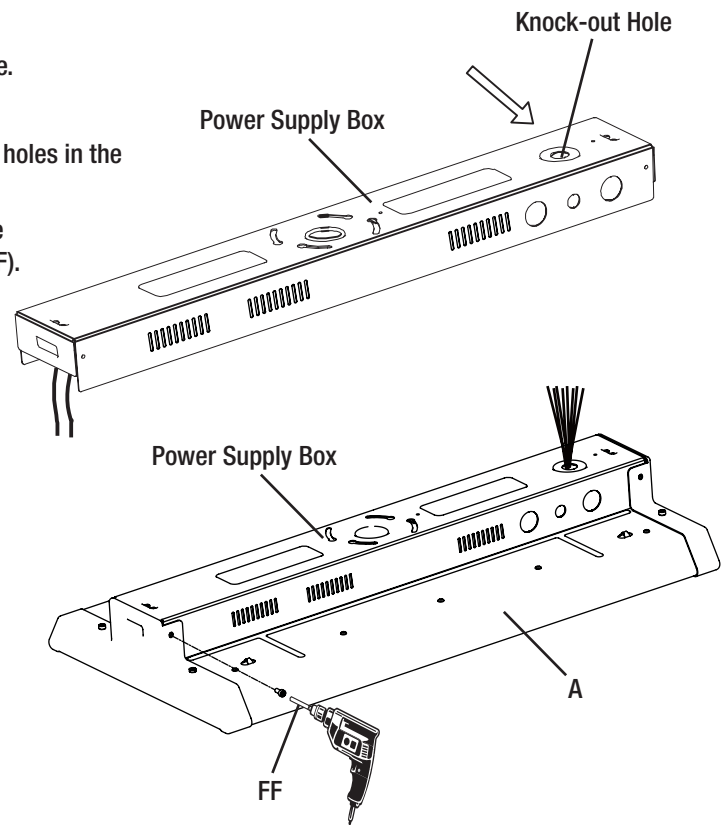
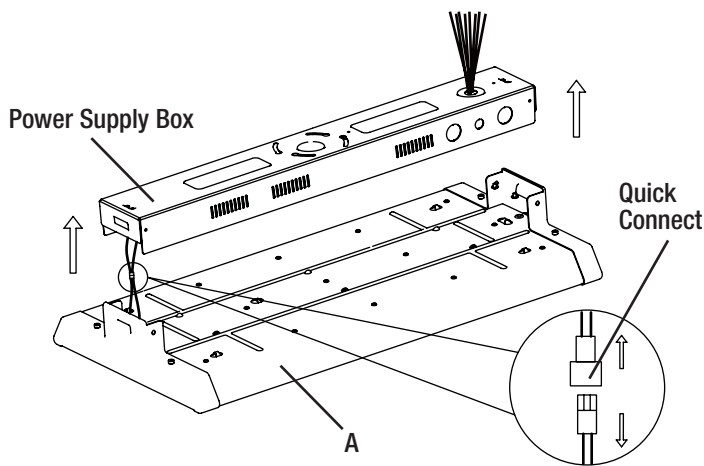
- Remove the four screws that attach the power supply box to the LED fixture body (A) using the power tool hex bit (FF).
- Put the screws aside as they will be needed to reattach the power supply box to the fixture body (A) in a later step.
- Lift the power supply box from the fixture body (A) and unplug the Quick Connect wires.



## Suspension Mounting (continued)

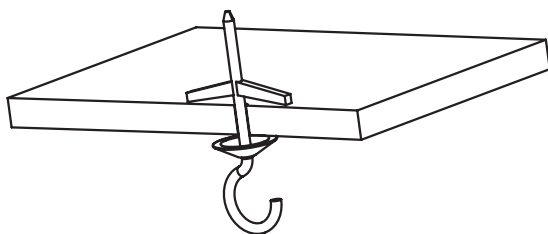
### 2 Preparing the power supply box for wiring

- Remove the knock-out near the end of the power supply box.
- Fit a 1/2 in. snap-in bushing into the knock-out hole.
- Feed the wiring out through the bushing and knock-out hole.
- Reconnect the two ends of the Quick Connect wires.
- Align the screw holes in the fixture body (A) with the screw holes in the power supply box.
- Fasten the fixture body (A) to the power supply box with the previously removed screws, using the power tool hex bit (FF).



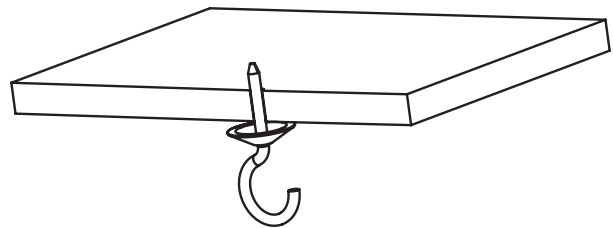
### 3 Mounting to drywall

- Drill two holes large enough to clear the closed flaps of the butterfly nut on the toggle bolt (not included).
- Fasten the toggle bolt into the butterfly nut before inserting the flaps into the ceiling.
- Tighten the toggle bolt.



### 4 Mounting to wood

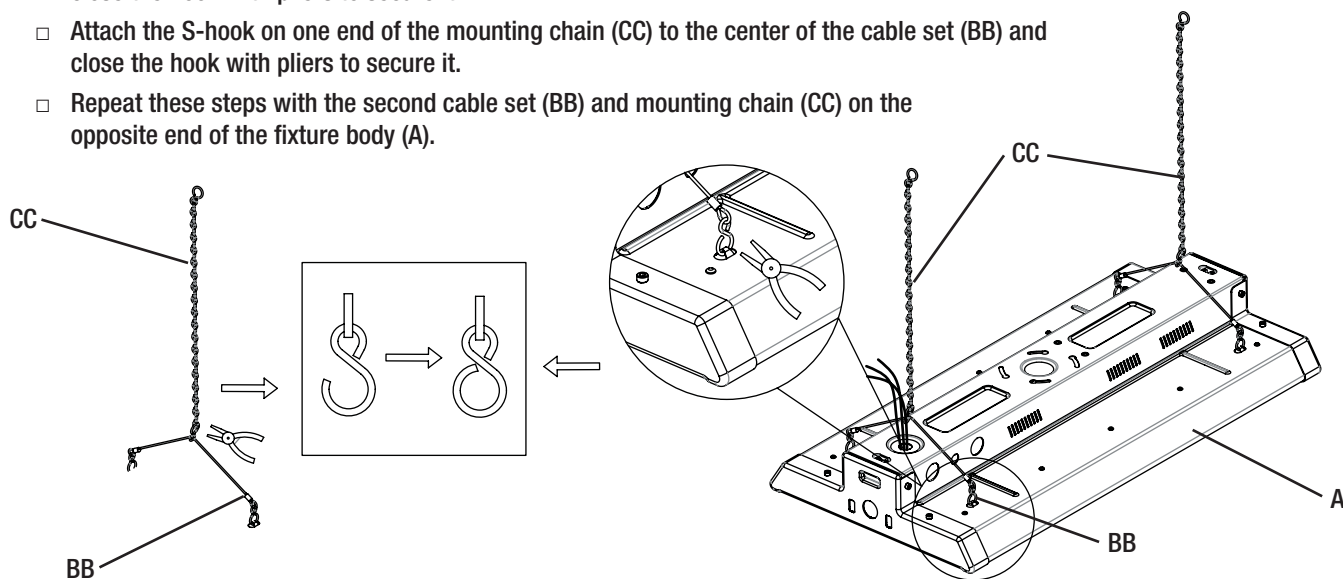
- Drill two 1/16 in. diameter holes in the ceiling to accommodate hook screws (not included).
- Fasten the combo wood-machine end into the metal hook.
- Tighten the hook screw (not included) into the wood.



## Suspension Mounting (continued)

### 5 Preparing the fixture body for mounting

- Attach the hook on one end of the cable set (BB) to a hanging hole on the fixture body (A) and close the hook with pliers to secure it.
- Attach the hook on the other end of the cable set (BB) to the other hanging hole on the same end of the fixture body (A) and close the hook with pliers to secure it.
- Attach the S-hook on one end of the mounting chain (CC) to the center of the cable set (BB) and close the hook with pliers to secure it.
- Repeat these steps with the second cable set (BB) and mounting chain (CC) on the opposite end of the fixture body (A).

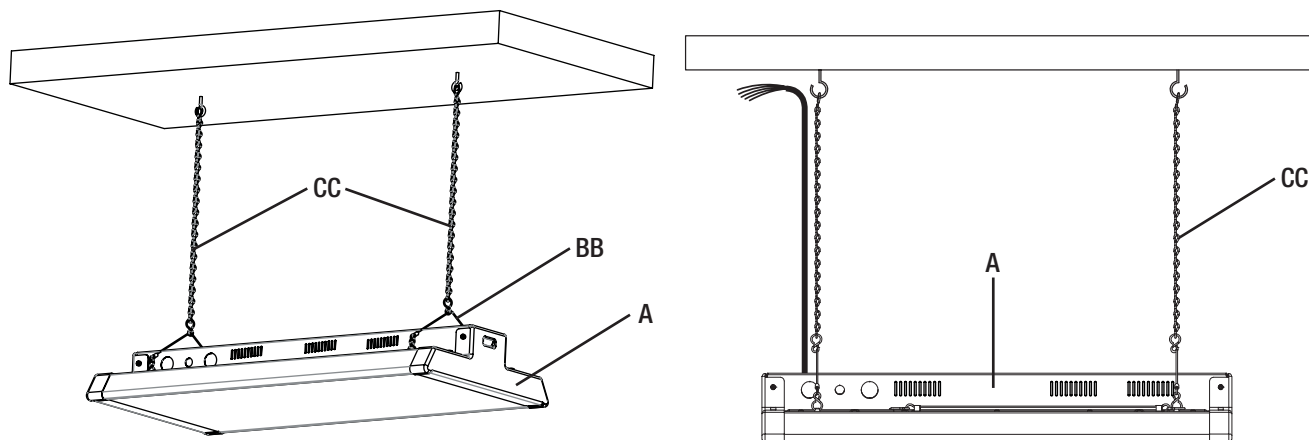


### 6 Attaching the chain to the ceiling

- Hang the fixture body by placing one chain (CC) over each hook (not included) that has been installed on the ceiling.
- Adjust the chains to level the light. The fixture must hang at least 3 in. from the ceiling.
- Feed the wiring through an appropriate conduit based on local electrical code.



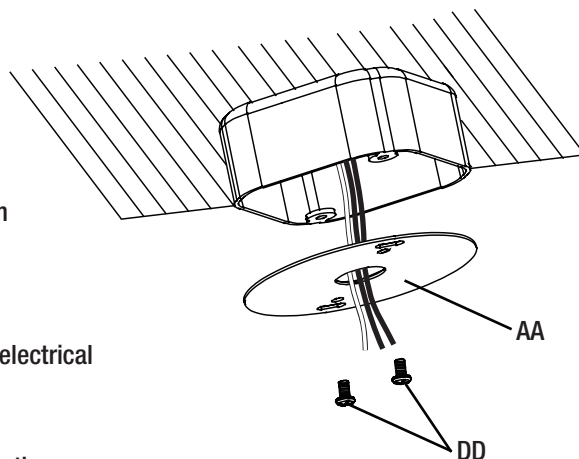
**CAUTION:** Check local electrical code to determine the appropriate type of conduit for the wiring. Do not leave the wiring exposed.



## Suspension Mounting (continued)

### 7 Making the electrical connections

- Feed the electrical wires from the fixture (A) through the cover plate (AA).
- Connect the hot and neutral (black and white) wires from the fixture body (A) to the same color wires from the electrical box.
- Connect the green wire from the fixture body (A) to the grounding wire from the electrical box.
- If 0-10v dimming circuit is available, connect the purple and gray wires from the power supply box to the same color wires from the electrical box.
- If dimming is not desired, wrap the ends of the purple and gray wires with electrical tape to cover the wire.
- Cover the wire connections using the wire connectors (EE).
- Wrap the wire connectors (EE) with electrical tape for a more secure connection.
- Position the wires back inside the electrical box and attach the cover plate (AA) to the electrical box using the electrical box screws (DD).



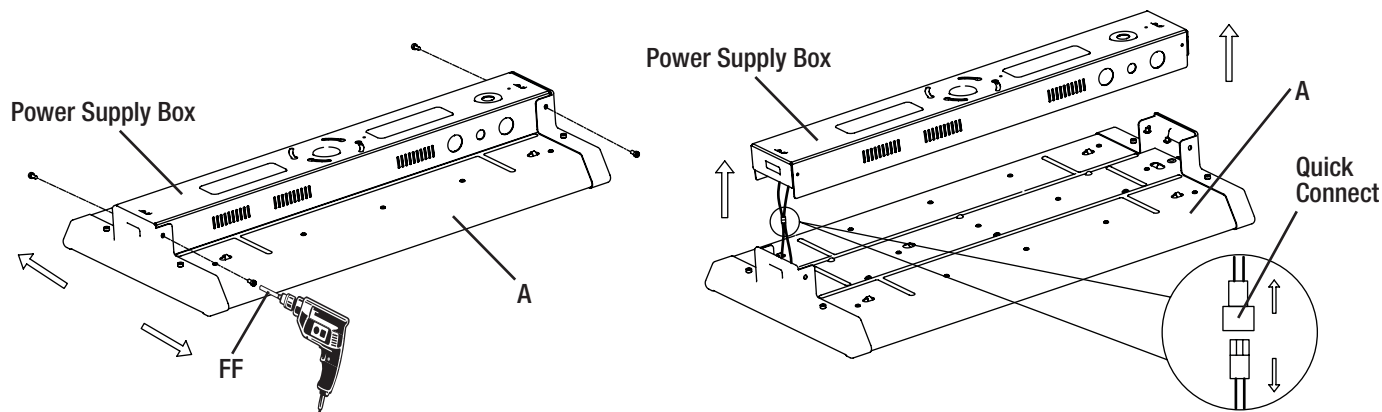
### 8 Restoring power

- Restore power at the electrical panel.
- Turn on the light switch to activate the fixture.

## Surface Mounting

### 1 Removing the power supply box

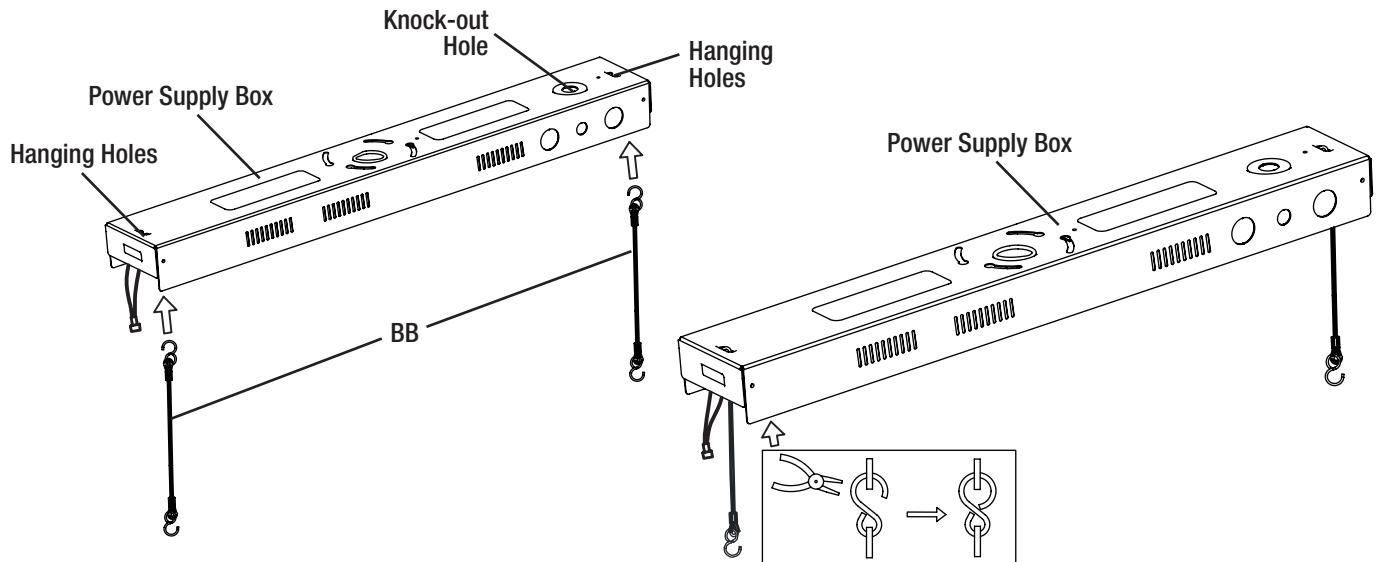
- Remove the four screws that attach the power supply box to the LED fixture body (A) using the power tool hex bit (FF).
- Put the screws aside as they will be needed to reattach the power supply box to the fixture body (A) in a later step.
- Lift the power supply box from the fixture body (A) and unplug the Quick Connect wires.



## Surface Mounting (continued)

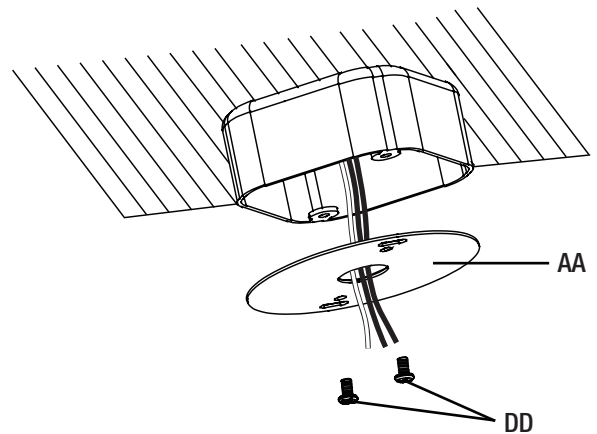
### 2 Preparing the power supply box for mounting

- Remove the knock-out near the end of the power supply box.
- Attach one hook from each of the two cable sets (BB) to the hanging holes on the power supply box.
- Close the open hooks attached to the power supply box with pliers. Do not close the open S-hooks at the bottoms of the cable sets.



### 3 Attaching the cover plate

- Feed the electrical wires from the electrical box through the cover plate (AA).
- Secure the cover plate (AA) to the electrical box with the electrical box screws (DD), but do not tighten them fully. Screw them into the cover plate (AA) until there is about 3/8 in. between the cover plate (AA) and the underside of the screw head.

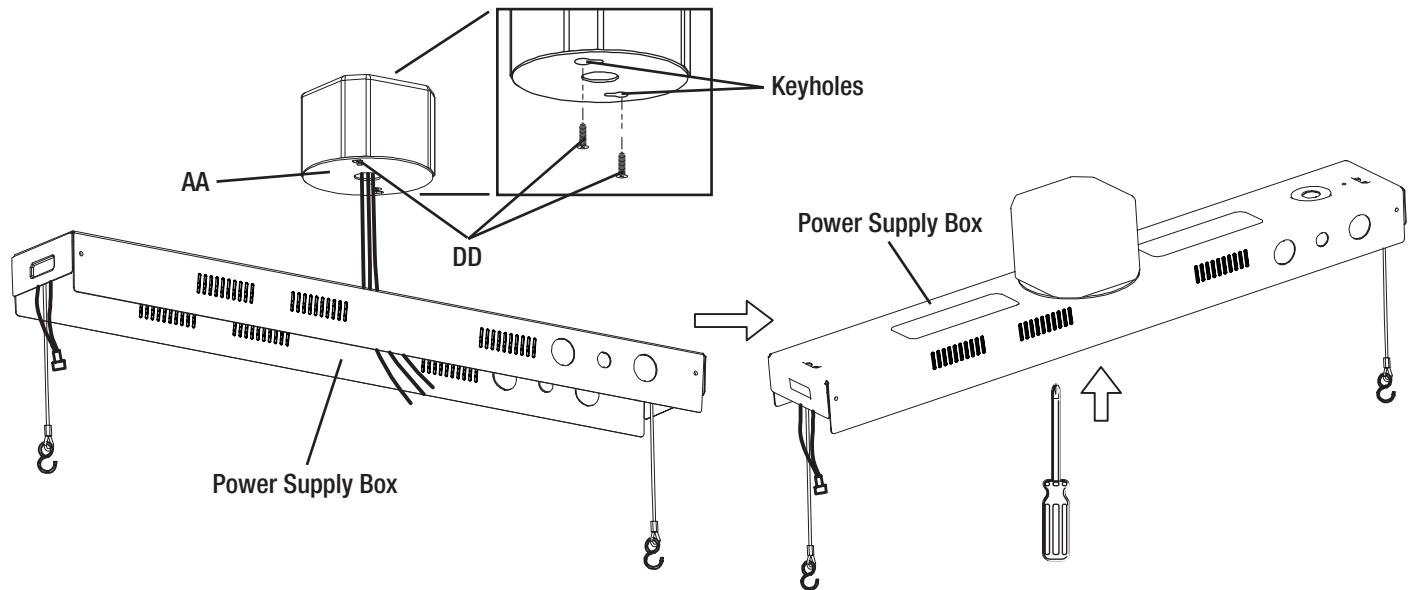




## Surface Mounting (continued)

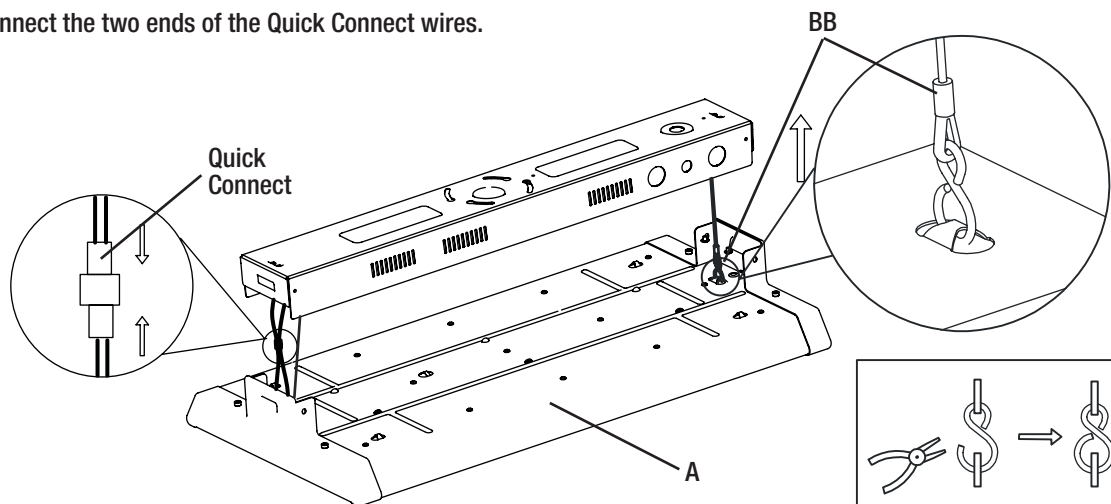
### 4 Mounting the power supply box

- Pull the electrical wires from the electrical box through the knock-out hole in the power supply box.
- Align the large ends of the keyholes in the power supply box with the mounting screws (DD), allowing the heads of the screws (DD) to come through the large ends of the keyholes.
- Rotate the power supply box until the heads of the mounting screws (DD) slide into the narrow ends of the keyholes.
- Tighten the mounting screws (DD) to secure the power supply box to the cover plate (AA) and electrical box.



### 5 Attaching the fixture body to the power supply box

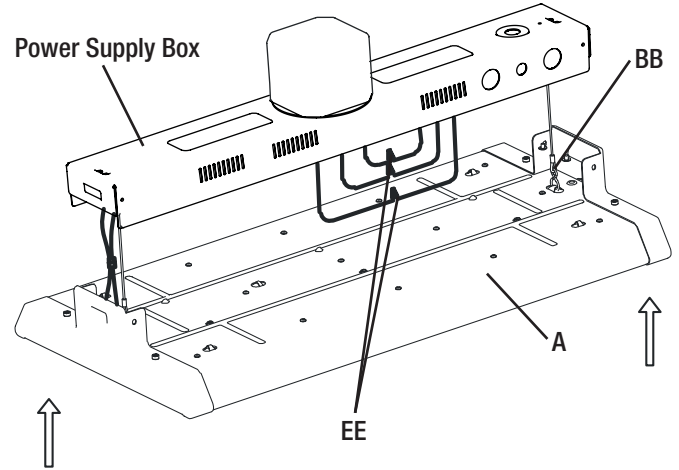
- Attach the open hooks on the ends of the cable sets (BB) to the hanging holes on the fixture body (A).
- Close the hook openings with pliers.
- Connect the two ends of the Quick Connect wires.



## Surface Mounting (continued)

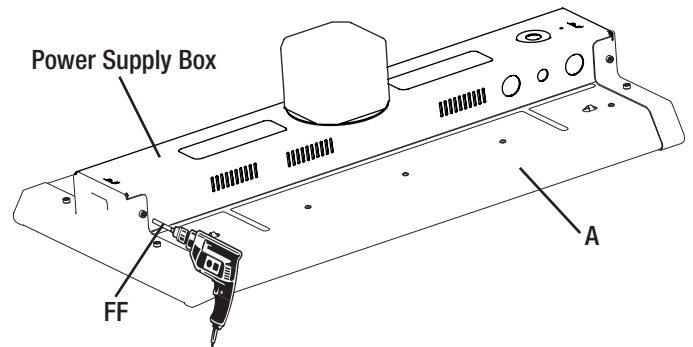
### 6 Making the electrical connections

- Connect the hot and neutral (black and white) wires from the power supply box to the same color wires from the electrical box.
- Connect the green wire from the power supply box to the grounding wire from the electrical box.
- If 0-10v dimming circuit is available, connect the purple and gray wires from the power supply box to the same color wires from the electrical box.
- If dimming is not desired, wrap the ends of the purple and gray wires with electrical tape to cover the wire.
- Cover the wire connections using the wire connectors (EE).
- Wrap the wire connectors (EE) with electrical tape for a more secure connection.



### 7 Reattaching the fixture body to the power supply box

- Position the wires back inside the power supply box.
- Align the screw holes in the fixture body (A) with the screw holes in the power supply box, making sure all wiring is thoroughly tucked inside the power supply box.
- Fasten the fixture body (A) to the power supply box with the previously removed screws, using the power tool hex bit (FF).



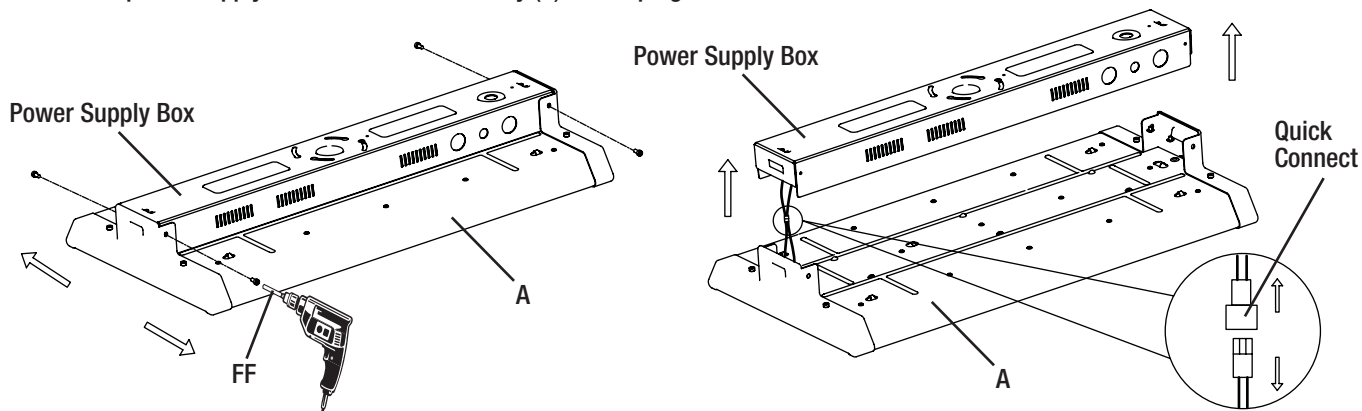
### 8 Restoring power

- Restore power at the electrical panel.
- Turn on the light switch to activate the fixture.

# Downrod Mounting

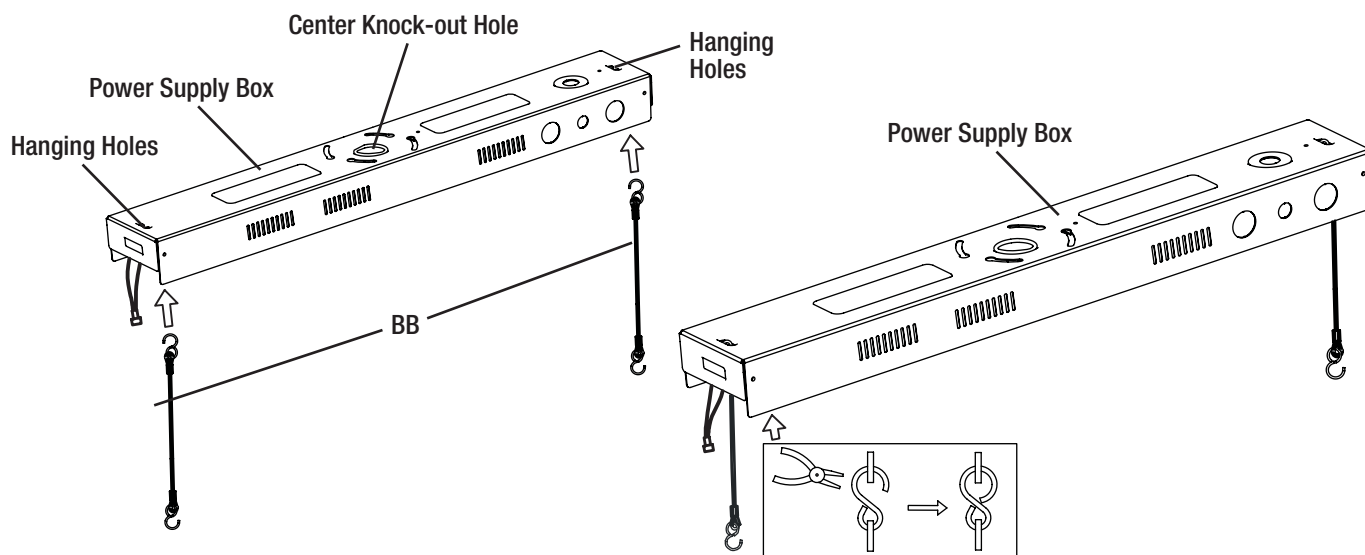
## 1 Removing the power supply box

- Remove the four screws that attach the power supply box to the LED fixture body (A) using the power tool hex bit (FF).
- Put the screws aside as they will be needed to reattach the power supply box to the fixture body (A) in a later step.
- Lift the power supply box from the fixture body (A) and unplug the Quick Connect wires.



## 2 Preparing the power supply box for mounting

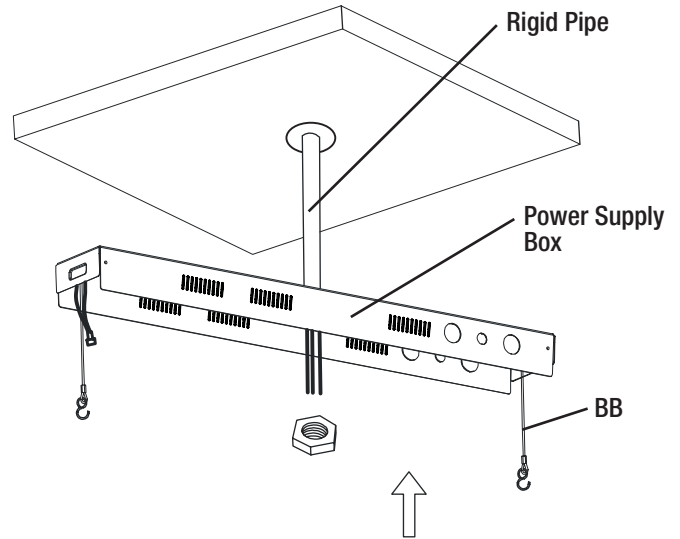
- Remove the center knock-out on the power supply box.
- Attach one hook from each of the two cable sets (BB) to the hanging holes on the power supply box.
- Close the open hooks attached to the power supply box with pliers. Do not close the open S hooks at the bottoms of the cable sets.



## Downrod Mounting (continued)

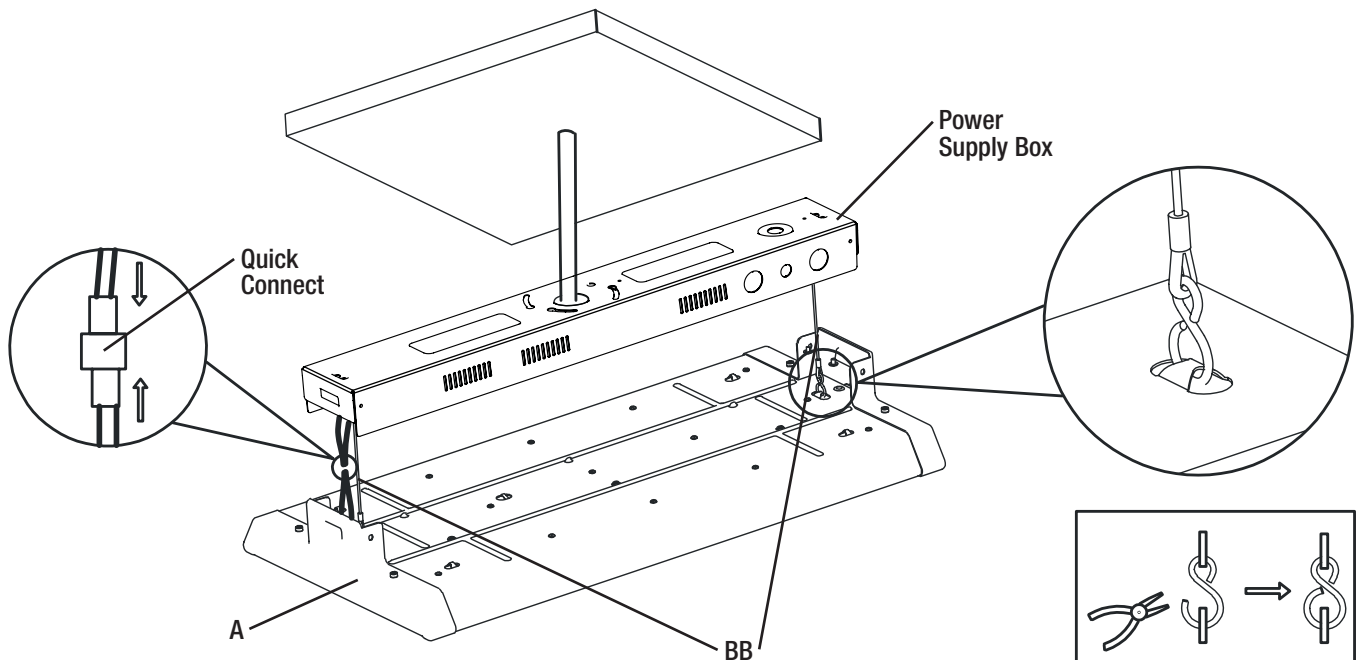
### 3 Mounting the power supply box

- Attach the rigid pipe (not included) to the ceiling and pull the wiring from the electrical box through the pipe.
- Place the pipe through the center knock-out hole in the power supply box and secure it with the appropriately sized hardware (not included).



### 4 Attaching the fixture body to the power supply box

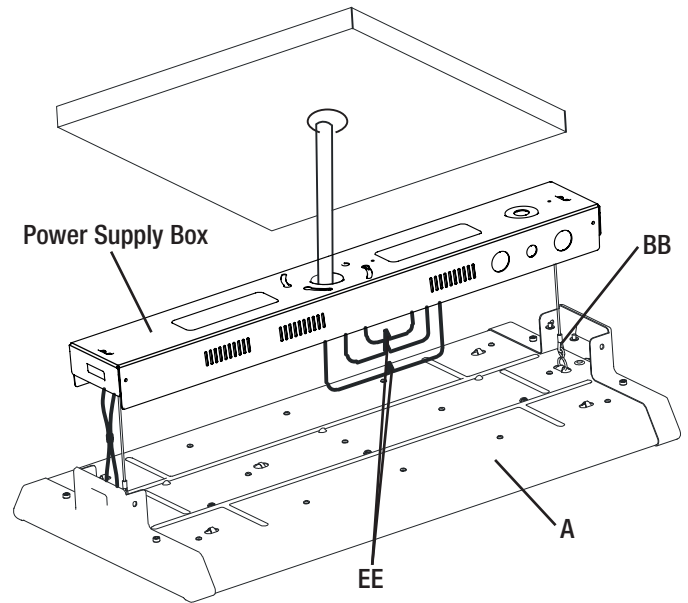
- Attach the open hooks on the ends of the cable sets (BB) to the hanging holes on the fixture body (A).
- Close the hook openings with pliers.
- Connect the two ends of the Quick Connect wires.



## Downrod Mounting (continued)

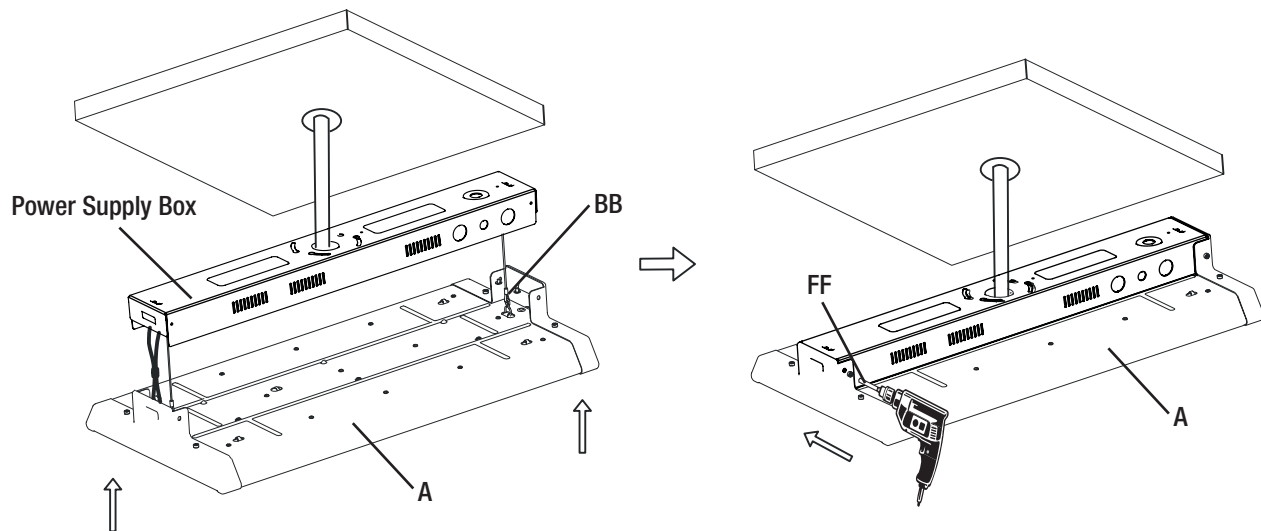
### 5 Making the electrical connections

- Connect the hot and neutral (black and white) wires from the power supply box to the same color wires from the electrical box.
- Connect the green wire from the power supply box to the grounding wire from the electrical box.
- If 0-10v dimming circuit is available, connect the purple and gray wires from the power supply box to the same color wires from the electrical box.
- If dimming is not desired, wrap the ends of the purple and gray wires with electrical tape to cover the wire.
- Cover the wire connections using the wire connectors (EE).
- Wrap the wire connectors (EE) with electrical tape for a more secure connection.
- Position the wires back inside the power supply box.



### 6 Reattaching the power supply box to the fixture body

- Align the screw holes in the fixture body (A) with the screw holes in the power supply box, making sure all wiring is thoroughly tucked inside the power supply box.
- Fasten the fixture body (A) to the power supply box with the previously removed screws, using the power tool hex bit (FF).



### 7 Restoring power

- Restore power at the electrical panel.
- Turn on the light switch to activate the fixture.

## Care and Cleaning



**CAUTION:** Before attempting to clean fixture, disconnect the power to the fixture by turning the breaker off or removing the fuse from the fuse box.

- Clean the fixture with a soft, dry cloth.
- Do not use cleaners with chemicals, solvents, or harsh abrasives.
- Do not use liquid cleaner on the LEDs, LED driver, or wiring inside the light fixture.

## Troubleshooting



**WARNING:** Before doing any work on the fixture, disconnect power to the light fixture.

Minor problems often can be fixed without the help of an electrician.

Problem	Possible Cause	Solution
The fixture will not light.	The power is off.	Ensure the power supply is on.
	The circuit breaker is off.	Ensure the circuit breaker is in the on position.
	There is a bad connection.	Check to ensure proper wire connections are made. Contact a qualified electrician.
	There is a defective switch.	Contact a qualified electrician.
The fuse blows or the circuit breaker trips when the light is turned on.	The wires are crossed or the power wire is grounding out.	Check the wire connections. Contact a qualified electrician or call Commercial Electric customer service 1-877-527-0313.





Questions, problems, missing parts? Before returning to the store,  
call Commercial Electric Customer Service  
8 a.m. – 7 p.m., EST, Monday - Friday  
9 a.m. - 6 p.m., EST, Saturday

**1-877-527-0313**

**HOMEDEPOT.COM**

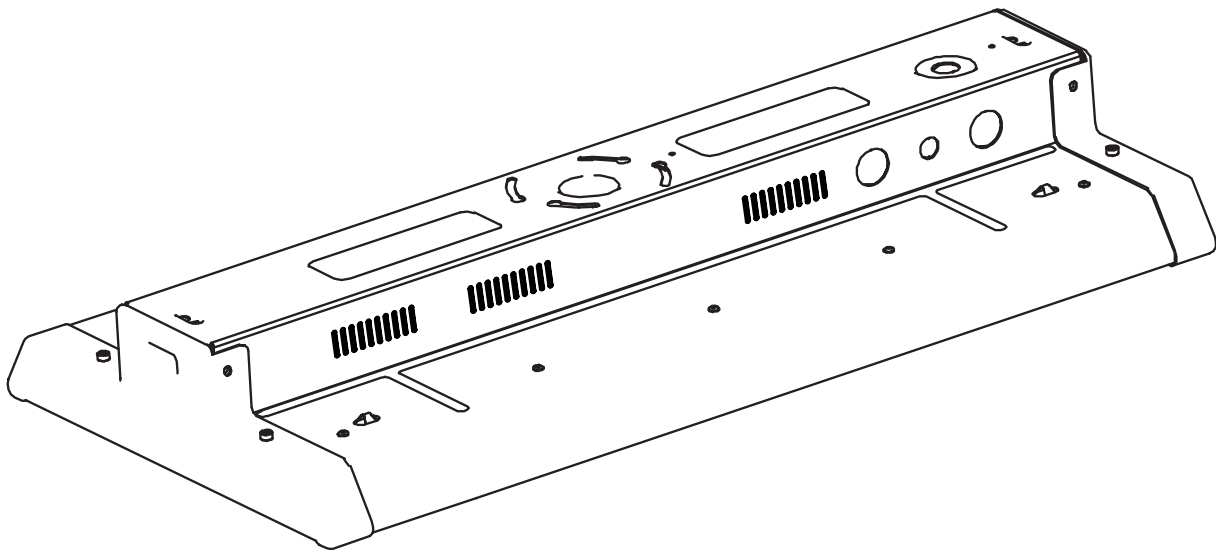
Retain this manual for future use.



# GUÍA DE USO Y CUIDADO

---

## LÁMPARA LINEAL LED DE BAHÍA ALTA DE 2 PIES



¿Preguntas, problemas, piezas faltantes? Antes de devolver el producto a la tienda, llame al Centro de Atención al Cliente de Commercial Electric en el horario de 8 a.m. – 7 p.m., Hora del Este de EE.UU., de lunes a viernes.  
9 a.m. – 6 p.m., Hora del Este de EE.UU., el sábado.

1-877-527-0313

HOMEDEPOT.COM



---

### GRACIAS

*Apreciamos la confianza que ha puesto en Commercial Electric al comprar este dispositivo de luz LED. Nos esforzamos por crear constantemente productos diseñados para dar realce a su hogar. Visítenos en línea para ver nuestra gama completa de productos disponibles para sus necesidades al momento de hacer mejoras en su hogar. ¡Muchas gracias por elegir a Commercial Electric!*

## Contenido

Contenido .....	18	Instalación .....	20
Información sobre seguridad .....	18	Instalación suspendida .....	20
Garantía .....	18	Instalación superficial .....	23
Previo a la instalación .....	19	Instalación sobre varilla .....	27
Planificación de la instalación .....	19	Cuidado y limpieza .....	30
Herramientas necesarias .....	19	Solución de problemas .....	30
Materiales Incluidos .....	19		
Piezas incluidas .....	20		

## Información sobre seguridad



**ADVERTENCIA:** Lea cuidadosamente y comprenda la información incluida en este manual antes de comenzar el armado e instalación. No hacerlo puede provocar descarga eléctrica, incendio, u otras lesiones que pueden ser graves o mortales.



**ADVERTENCIA:** Asegúrese de cortar el suministro eléctrico en los cables con los que trabajará. Extraiga los fusibles o apague el cortacircuitos.

**AVISO:** Este equipo ha sido probado y se halló que cumple con los límites establecidos para la clase B de dispositivos digitales, conforme a la Parte 15 de las Normas de FCC.

Estos límites se establecen para brindar protección razonable contra interferencia dañina en una instalación residencial.

Este equipo genera, utiliza y puede irradiar energía de frecuencias de radio y, si no se instala conforme a las instrucciones, puede provocar interferencia dañina a las comunicaciones de radio. Sin embargo, no existe garantía de que la interferencia no se produzca en una instalación en particular. Si este equipo produce interferencia dañina a la recepción de radio o televisión, lo que puede determinarse encendiendo y apagando el equipo, se insta al usuario a intentar corregir la interferencia mediante uno de los siguientes métodos:

- Cambie la orientación o ubicación de la antena receptora.
- Aumente la separación entre el equipo y el receptor.
- Conecte el equipo en un tomacorriente que esté en un circuito diferente al cual está conectado el receptor.
- Consulte con el representante o con un técnico experimentado en radio y televisión para solicitar asistencia.



**ADVERTENCIA:** Cambios o modificaciones no aprobadas en forma expresa por la parte responsable del cumplimiento puede invalidar la autoridad del usuario de manejar el equipo.

## Garantía

### CUBRE

El fabricante garantiza que este aparato de iluminación no tendrá defectos en los materiales o en la mano de obra por un periodo de cinco (5) años desde la fecha de compra. Esta garantía se aplica sólo al comprador consumidor original y sólo a los productos que se utilizan y reciben servicio en forma normal. Si se encuentra que este producto tiene defectos, la única obligación del fabricante, y su exclusiva solución, es reparar o reemplazar el producto a su entera discreción, siempre y cuando el producto no se haya dañado debido al mal uso, abuso, accidente, modificaciones, alteraciones, negligencias o mal manejo del mismo.

### NO CUBRE

Esta garantía no se aplica a ningún producto que se ha instalado incorrectamente, ajustado o utilizado en una forma que no concuerde con las instrucciones suministradas junto con el producto. Esta garantía no se aplicará a fallas del producto como resultado de un accidente, uso incorrecto, abuso, negligencia, alteración, instalación defectuosa, o ninguna otra falla no relacionada con el material o mano de obra defectuosa. Esta garantía no se aplica a los acabados en ninguna parte del producto, tal como la superficie ni a la acción de los elementos, ya que esto se considera desgaste normal.

El fabricante no garantiza y no acepta responsabilidad, ya sea expresa o implícita de la idoneidad para un fin particular, a excepción de la garantía contenida en el presente. El fabricante niega específicamente cualquier responsabilidad y no será responsable por daños o pérdidas indirectas o consecuenciales, e incluye pero no se limita a los costos de mano de obra, gastos relacionados en el reemplazo o reparación de dicho producto.

Comuníquese con el equipo de Servicio al Cliente al 1-877-527-0313 o visite [www.HomeDepot.com](http://www.HomeDepot.com).

# Previo a la instalación

## PLANIFICACIÓN DE LA INSTALACIÓN

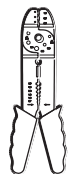
Antes de comenzar el armado, la instalación o antes de operar el producto, asegúrese de que tiene todas las piezas. Compare las piezas con la lista del contenido incluyda. Si falta alguna pieza o si está dañada, no comience a armar, instalar, ni operar el producto. Comuníquese con el servicio al cliente para el reemplazo de las piezas.



**NOTA:** Guarde el recibo de compra y estas instrucciones como prueba de compra.

Si no está familiarizado con las instalaciones eléctricas, le recomendamos que haga que un electricista calificado se ocupe de la instalación.

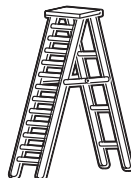
## HERRAMIENTAS NECESARIAS



Alicates pelacables



Gafas de seguridad



Escalera



Guantes



Pliers



Destornillador de estrella



Taladro eléctrico con brocas



Alicates cortacables



Espárragos\*



Buje de presión de 1/2 pulg.\*



Tubo rígido\*\*

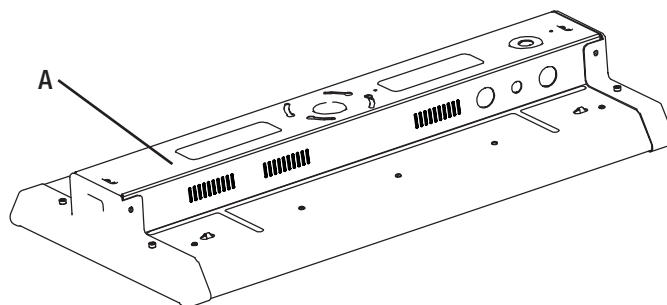
\* Por Instalación Suspendida Solamente  
\*\* Por Instalación Sobre Varilla Solamente



**NOTA:** Por instalación suspendida, se puede utilizar también armellas para la fijación de la lámpara al techo.

## MATERIALES INCLUIDOS

Pieza	Descripción	Cantidad
A	Caja de la lámpara	1



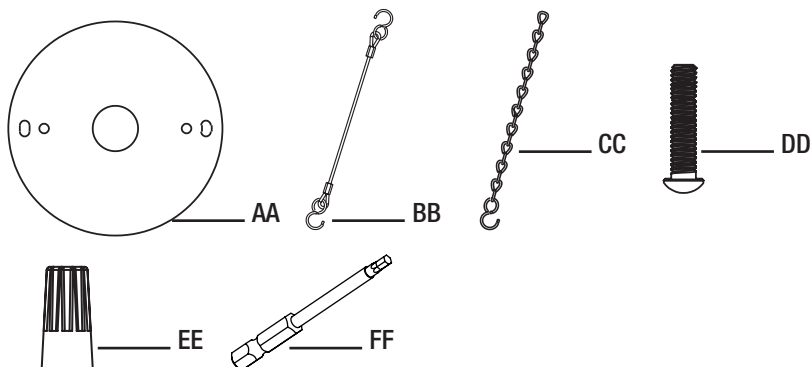
## Previo a la instalación (continuación)

### PIEZAS INCLUIDAS



NOTA: Los materiales no se ilustran en tamaño real.

Pieza	Descripción	Cantidad
AA	Tapa	1
BB	Juego de cables	2
CC	Cadena con gancho S	2
DD	Tornillo de la caja eléctrica	2
EE	Conector de cable	3
FF	Broca hex para herramienta eléctrica	1



## Instalación



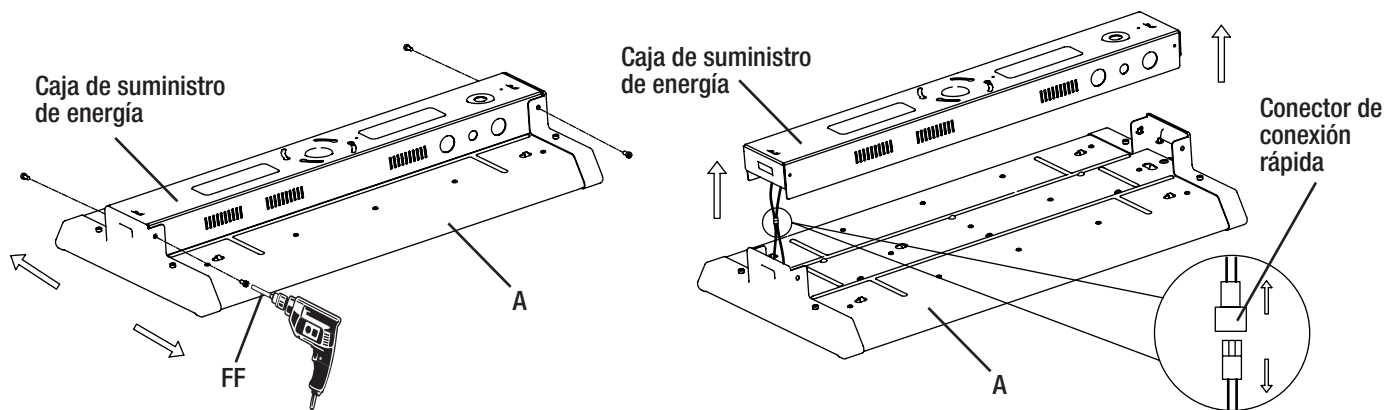
**ADVERTENCIA: RIESGO DE DESCARGA ELÉCTRICA.** Asegúrese de cortar el suministro eléctrico en los cables con los que trabajará. Extraiga los fusibles o apague el cortacircuitos antes de quitar el aparato de iluminación existente o instalar uno nuevo.

Con la energía desconectada a la caja eléctrica, quite la luminaria existente. Haga un boceto de cómo se fija la luminaria actual (por el color de los alambres) o marque los alambres con una cinta y un lápiz así que usted sabrá reconectar correctamente los alambres a la nueva luminaria LED.

## Instalación suspendida

### 1 Extracción de la caja de suministro de energía

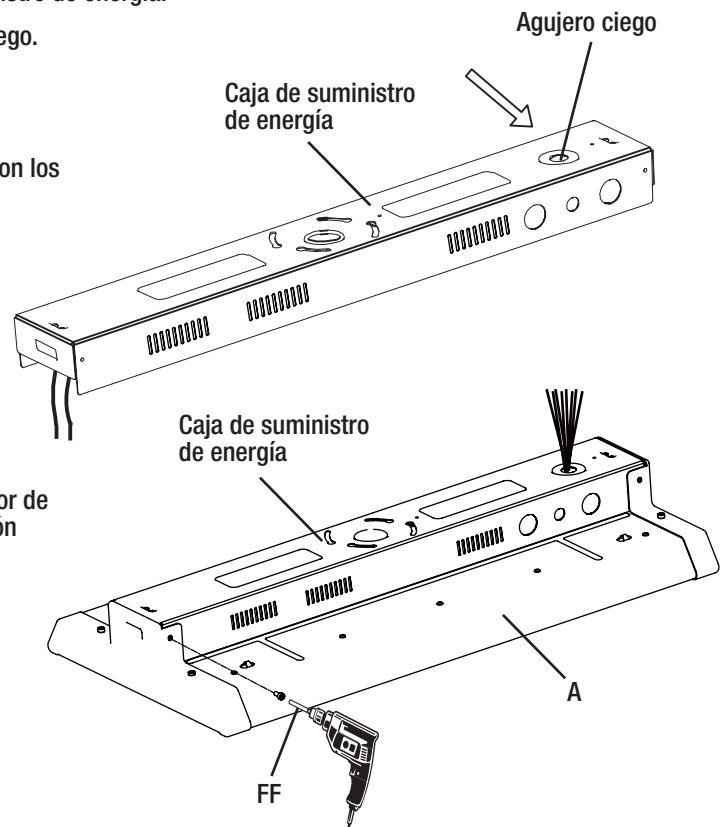
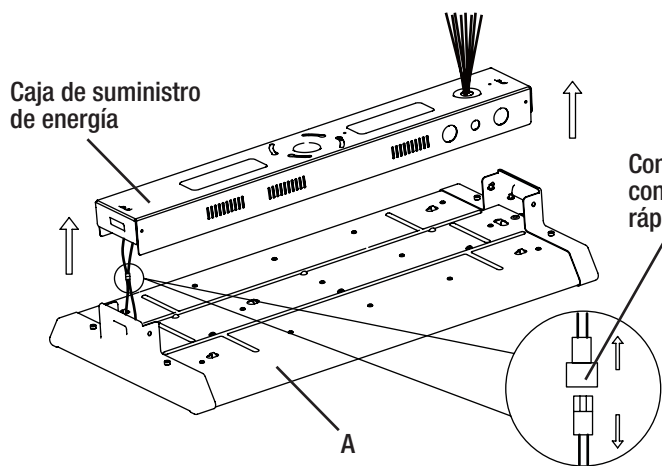
- Con la broca hex para herramienta eléctrica (FF), retire los 4 tornillos que sujetan la caja de suministro de energía a la caja de la lámpara LED (A).
- Deje de lado los tornillos ya que serán necesarios para volver a colocar la caja de suministro de energía a la caja de la lámpara (A) en un paso posterior.
- Levante la caja de suministro de energía de la caja de la lámpara (A) y desenchufe los cables de conexión rápida.



## Instalación suspendida (continuación)

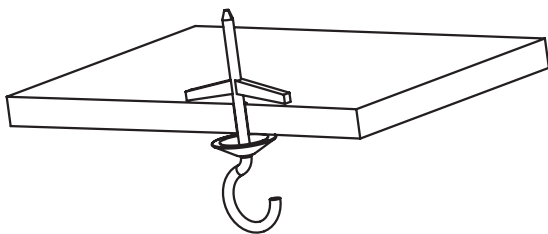
### 2 Preparación de la caja de suministro de energía para cableado

- Quite el agujero ciego cerca del extremo de la caja de suministro de energía.
- Coloque un buje de presión de 1/2 pulgadas en el agujero ciego.
- Pase los cables a través del buje y el agujero ciego.
- Conecte los dos extremos de los cables de conexión rápida.
- Alinee los orificios de tornillos de la caja de la lámpara (A) con los orificios de tornillos de la caja de suministro de energía.
- Fije la caja de la lámpara (A) a la caja de suministro de energía con los tornillos previamente extraídos, utilizando la broca hex para herramienta eléctrica (FF).



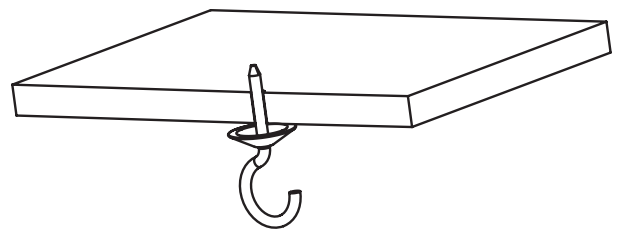
### 3 Instalación sobre panel mural en seco

- Taladre dos agujeros lo suficientemente grandes como para que pasen las alas cerradas de la mariposa del tornillo de fiador (no se incluye). Asegúrese de ajustar el tornillo de fiador a la mariposa antes de insertar las alas en el cielorraso.
- Apriete el tornillo de fiador.



### 4 Instalación en la madera

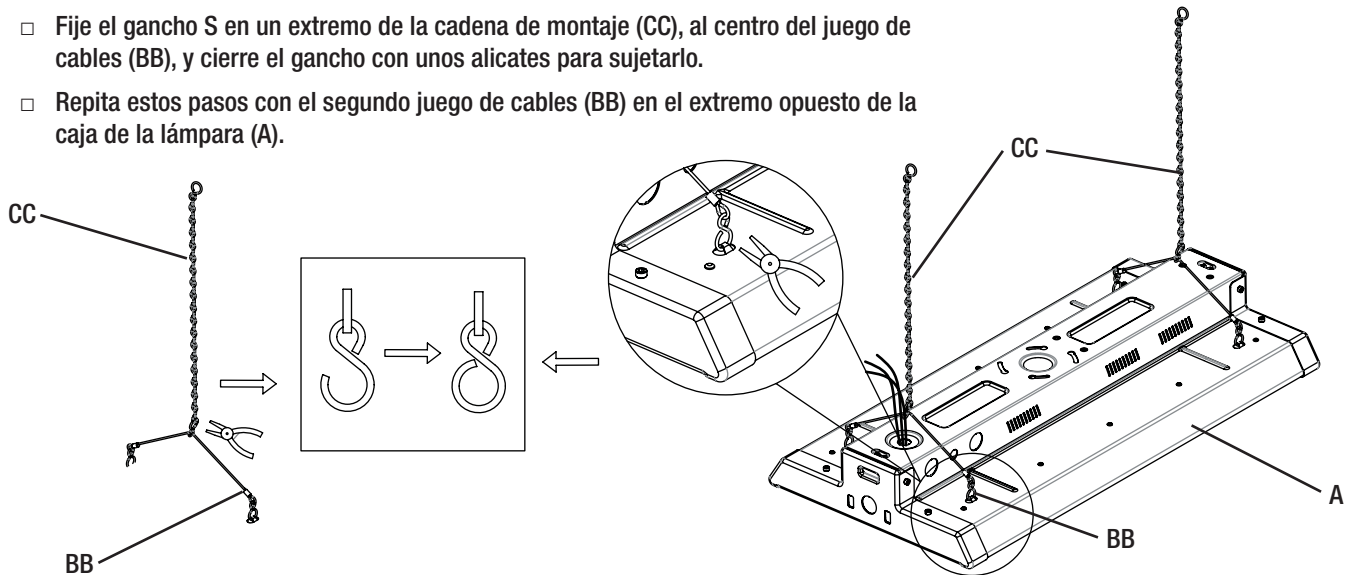
- Taladre dos orificios de 1/16 pulg. de diámetro en el techo para acomodar los tornillos de gancho (no incluidos).
- Sujete el extremo combinado madera-máquina en el gancho de metal.
- Apriete el tornillo de gancho (no incluido) en la madera.



## Instalación suspendida (continuación)

### 5 Preparación de la caja de la lámpara para la instalación

- Fije el gancho en un extremo del juego de cables (BB) a un agujero de suspensión en la caja de la lámpara (A) y cierre el gancho con unos alicates para sujetarlo.
- Fije el gancho en el otro extremo del juego de cables (BB) al otro agujero de suspensión en el mismo extremo de la caja de la lámpara (A) y cierre el gancho con unos alicates para sujetarlo.
- Fije el gancho S en un extremo de la cadena de montaje (CC), al centro del juego de cables (BB), y cierre el gancho con unos alicates para sujetarlo.
- Repita estos pasos con el segundo juego de cables (BB) en el extremo opuesto de la caja de la lámpara (A).

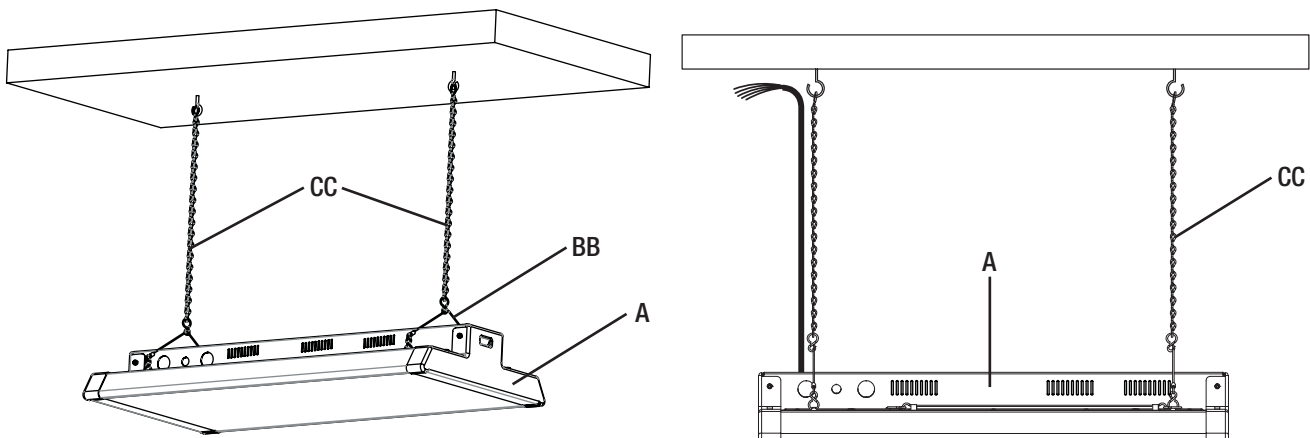


### 6 Colocación de la cadena al techo

- Cuelgue la caja de la lámpara colocando una cadena (CC) sobre cada gancho (no incluido) que haya sido instalado en el techo.
- Ajuste las cadenas para que la lámpara se nivele. La lámpara debe colgar al menos 3 pulgadas desde el techo.
- Pase los cables a través de un conducto apropiado basado en el código eléctrico local



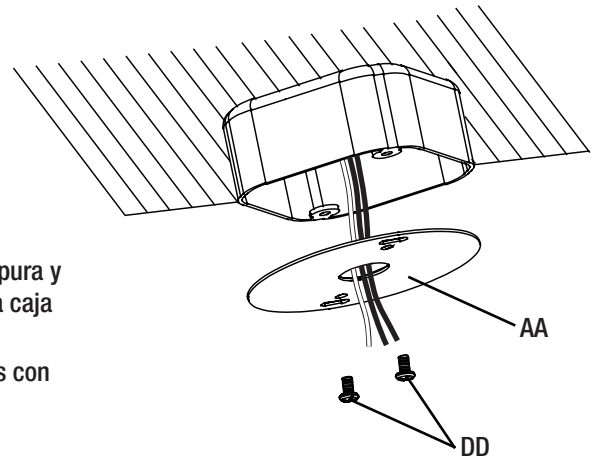
**PRECAUCIÓN:** Verifique el código eléctrico local para determinar el tipo apropiado de conducto para los cables. No deje los cables expuestos.



## Instalación suspendida (continuación)

### 7 Hacer las conexiones eléctricas

- Pase los cables desde la lámpara (A) a través de la tapa (AA).
- Conecte los cables principal y neutro (negro y blanco) de la caja de la lámpara (A) a los cables del mismo color de la caja eléctrica.
- Conecte el cable verde de la caja de la lámpara (A) al cable de conexión a tierra de la caja eléctrica.
- Si está disponible un circuito de atenuación 0-10v, conecte los cables púrpura y gris de la caja de suministro de energía a los cables del mismo color de la caja eléctrica.
- Si no se desea atenuar, envuelva los extremos de los cables púrpura y gris con cinta aislante para cubrirlos.
- Cubra las conexiones utilizando los conectores de cable (EE).
- Envuelva los conectores (EE) con cinta aislante para una conexión más segura.
- Coloque los cables en el interior de la caja eléctrica y coloque la tapa (AA) en la caja eléctrica con los tornillos de la caja eléctrica (DD).



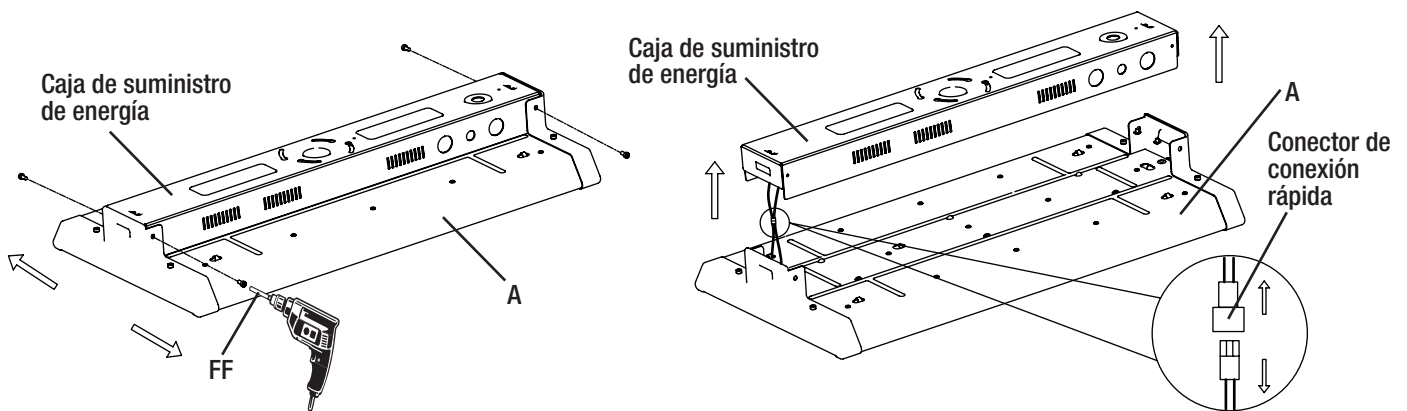
### 8 Restauración de la energía

- Restablezca la energía en el panel eléctrico.
- Encienda el interruptor para activar la lámpara.

## Instalación superficial

### 1 Extracción de la caja de suministro de energía

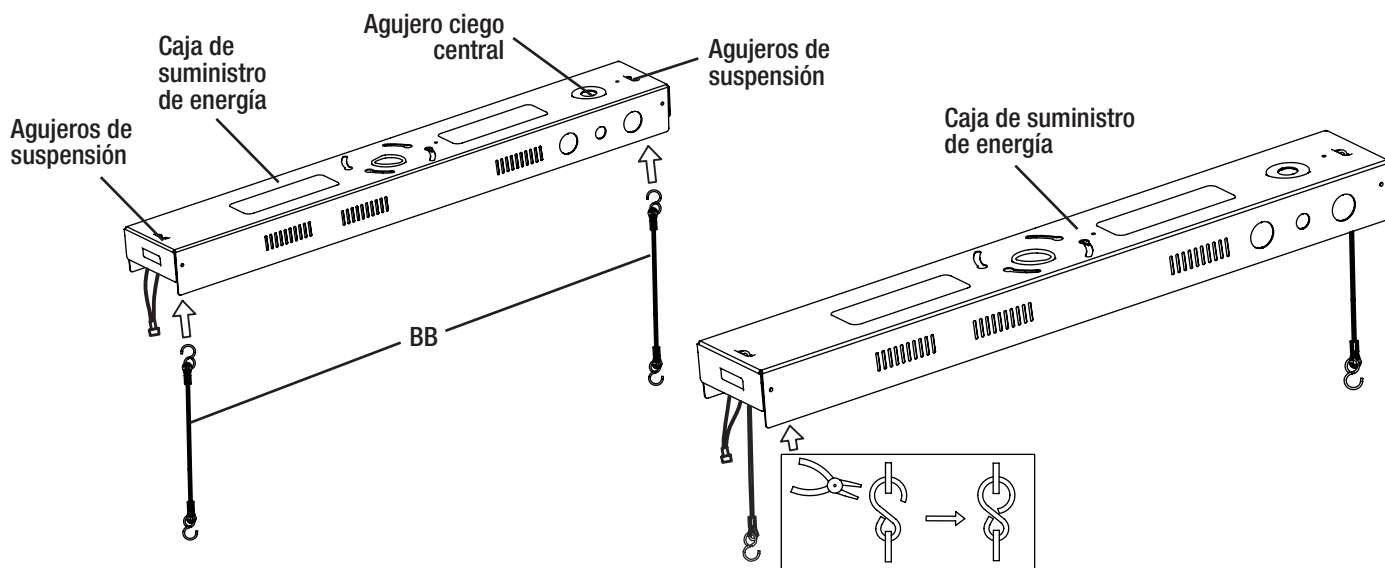
- Con la broca hex para herramienta eléctrica (FF), retire los 4 tornillos que sujetan la caja de suministro de energía a la caja de la lámpara LED (A).
- Deje de lado los tornillos ya que serán necesarios para volver a colocar la caja de suministro de energía a la caja de la lámpara (A) en un paso posterior.
- Levante la caja de suministro de energía de la caja de la lámpara (A) y desenchufe los cables de conexión rápida.



## Instalación superficial (continuación)

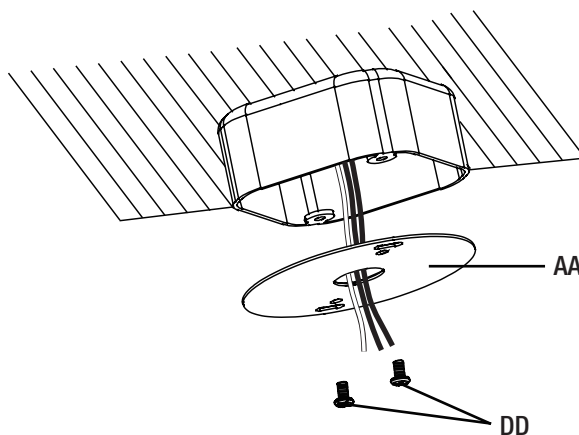
### 2 Preparación de la caja de suministro de energía para la instalación

- Retire el agujero ciego central de la caja de suministro de energía.
- Conecte un gancho de cada uno de los dos juegos de cables (BB) a los agujeros de suspensión de la caja de suministro de energía.
- Cierre los ganchos abiertos conectados a la caja de suministro de energía con alicates. No cierre los ganchos S abiertos en la parte inferior de los juegos de cables.



### 3 Colocación de la tapa

- Pase los cables de la caja eléctrica a través de la tapa (AA).
- Fije la tapa (AA) a la caja eléctrica con los tornillos de la caja eléctrica (DD), pero no los apriete completamente. Enroscarlos en la tapa (AA) hasta que 3/8 pulg. entre la tapa (AA) y la parte inferior de la cabeza del tornillo.

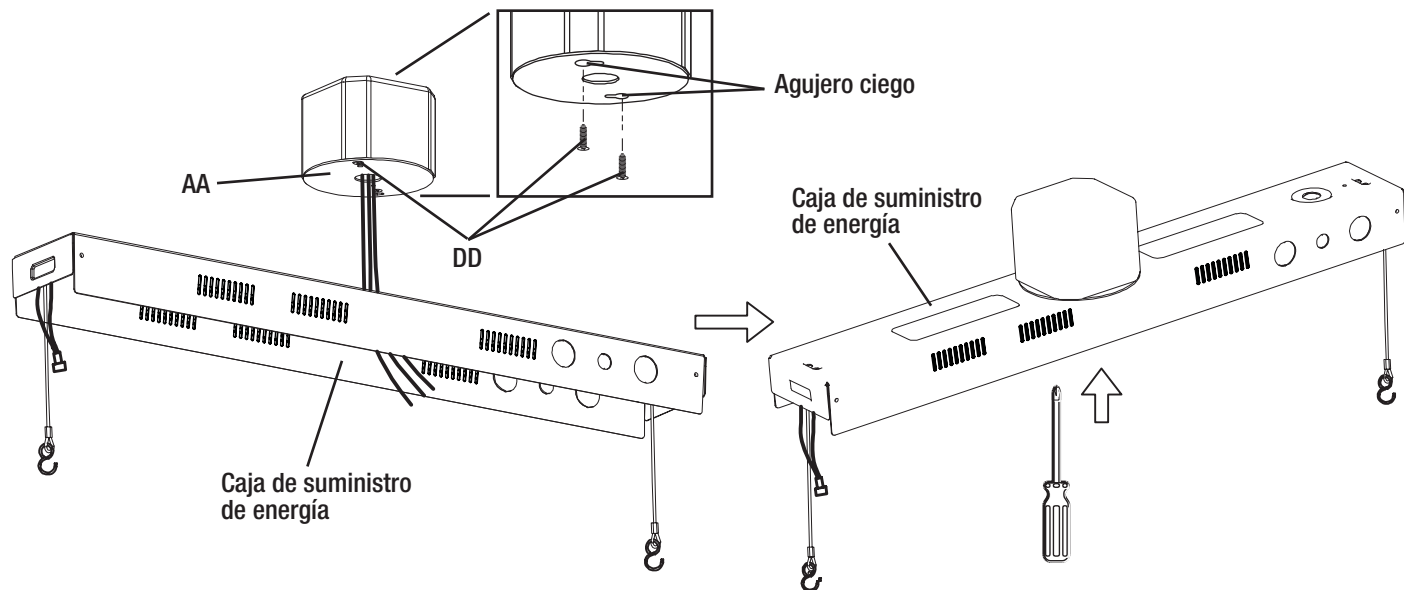




## Instalación superficial (continuación)

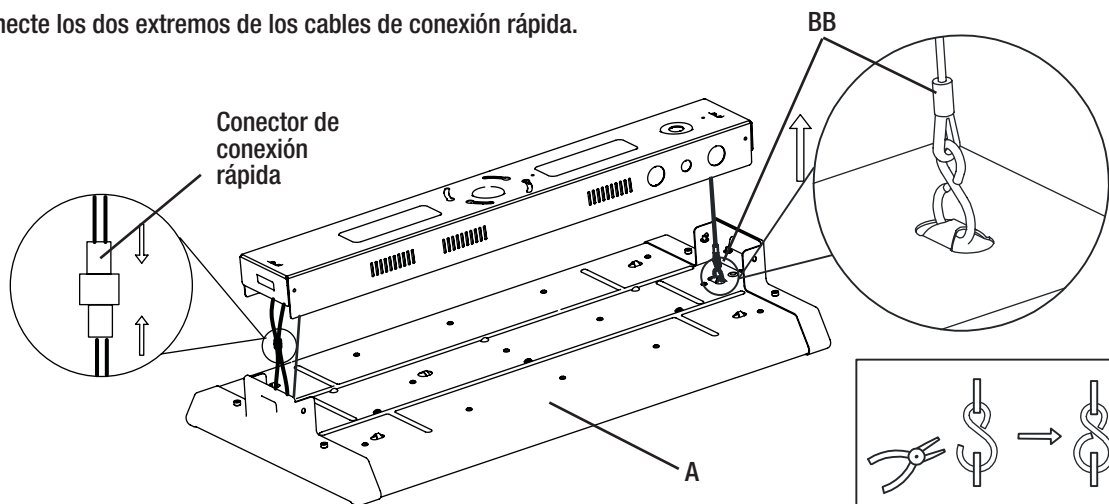
### 4 Instalación de la caja de suministro de energía

- Pase los cables eléctricos de la caja eléctrica a través del agujero ciego en la caja de suministro de energía.
- Alinee los extremos grandes de los agujeros oblongos de la caja de suministro de energía con los tornillos de montaje (DD), permitiendo que las cabezas de los tornillos (DD) vayan a través de los extremos grandes de los agujeros oblongos.
- Gire la caja de suministro de energía hasta que los cabezales de los tornillos de montaje (DD) se deslicen en los extremos estrechos de los agujeros oblongos.
- Apriete los tornillos de montaje (DD) para sujetar la caja de suministro de energía a la tapa (AA) y la caja eléctrica.



### 5 Colocación de la caja de lámpara en la caja de suministro de energía

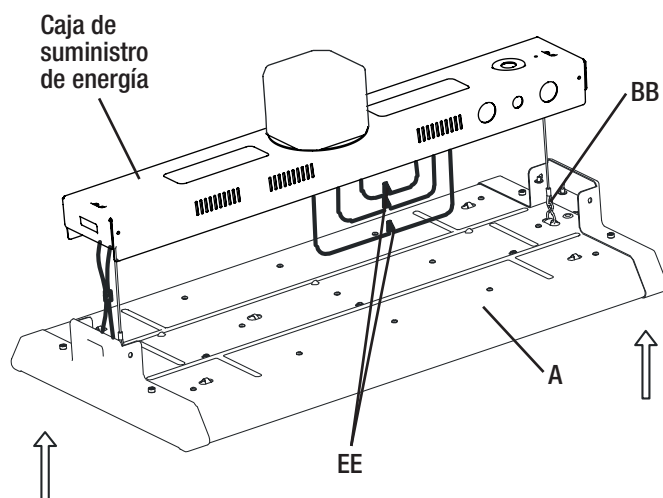
- Fije los ganchos abiertos en los extremos de los juegos de cables (BB) a los agujeros de suspensión de la caja de lámpara (A).
- Cierre los ganchos abiertos con alicates.
- Conecte los dos extremos de los cables de conexión rápida.



## Instalación superficial (continuación)

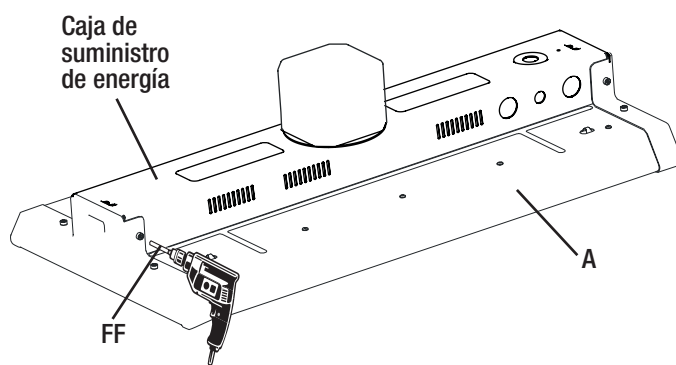
### 6 Hacer las conexiones eléctricas

- Conecte los cables principal y neutro (negro y blanco) de la caja de suministro de energía a los cables del mismo color de la caja eléctrica.
- Conecte el cable verde de la caja de suministro de energía al cable de conexión a tierra de la caja eléctrica.
- Si está disponible un circuito de atenuación 0-10v, conecte los cables púrpura y gris de la caja de suministro de energía a los cables del mismo color de la caja eléctrica.
- Si no se desea atenuar, envuelva los extremos de los cables púrpura y gris con cinta aislante para cubrirlos.
- Cubra las conexiones utilizando los conectores de cable (EE).
- Envuelva los conectores (EE) con cinta aislante para una conexión más segura.



### 7 Reinscripción de la caja de lámpara en la caja de suministro de energía

- Coloque los cables de nuevo dentro de la caja de suministro de energía.
- Alinee los orificios de tornillos de la caja de la lámpara (A) con los orificios de tornillos de la caja de suministro de energía, asegurándose de que todo los cables se insertan dentro de la caja de suministro de energía.
- Fije la caja de la lámpara (A) a la caja de suministro de energía con los tornillos previamente extraídos, utilizando la broca hex para herramienta eléctrica (FF).



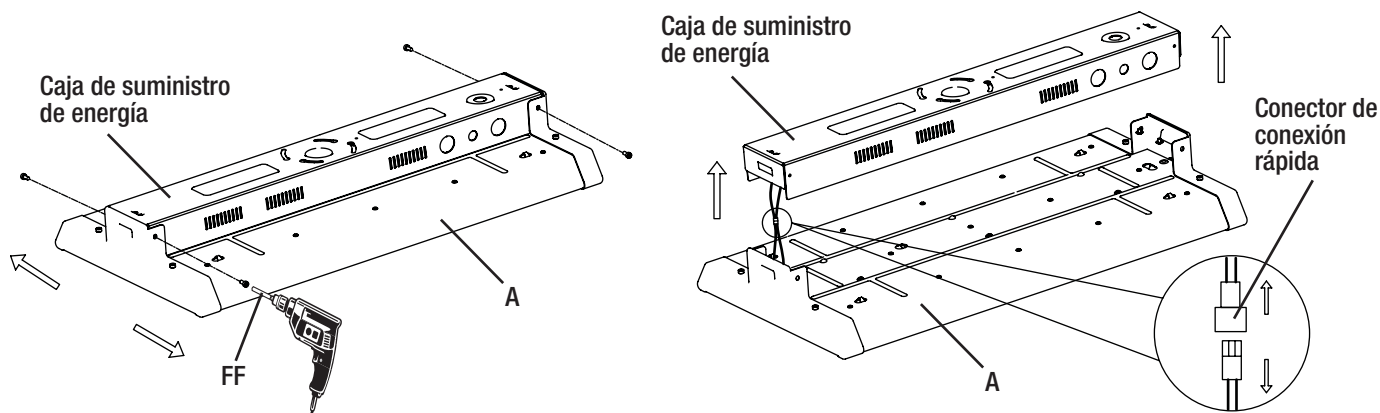
### 8 Restauración de la energía

- Restaure la energía en el panel eléctrico.
- Encienda el interruptor para activar la lámpara.

# Instalación sobre varilla

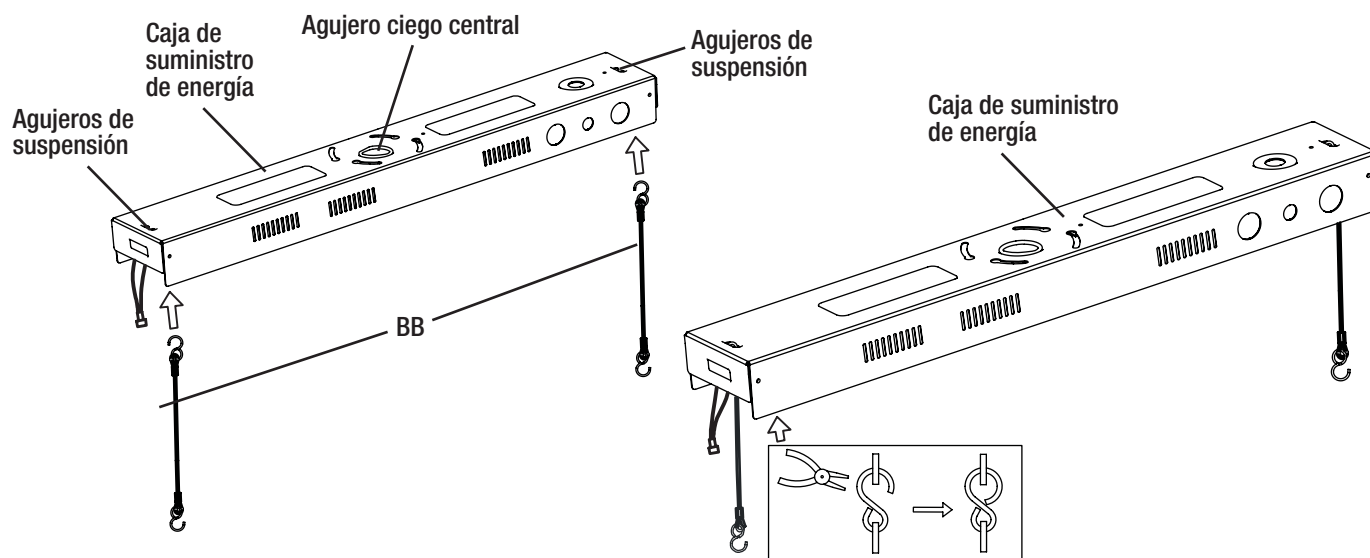
## 1 Extracción de la caja de suministro de energía

- Con la broca hex para herramienta eléctrica (FF), retire los 4 tornillos que sujetan la caja de suministro de energía a la caja de la lámpara LED (A).
- Deje de lado los tornillos ya que serán necesarios para volver a colocar la caja de suministro de energía a la caja de la lámpara (A) en un paso posterior.
- Levante la caja de suministro de energía de la caja de la lámpara (A) y desenchufe los cables de conexión rápida.



## 2 Preparación de la caja de suministro de energía para la instalación

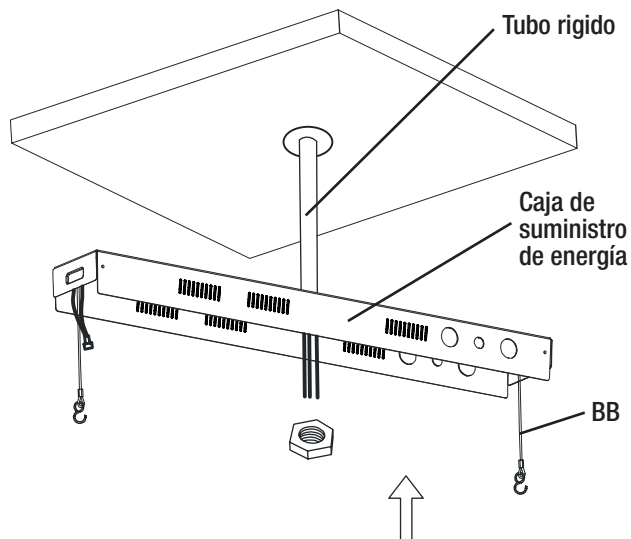
- Retire el agujero ciego central de la caja de suministro de energía.
- Conecte un gancho de cada uno de los dos juegos de cables (BB) a los agujeros de suspensión de la caja de suministro de energía.
- Cierre los ganchos abiertos conectados a la caja de suministro de energía con alicates. No cierre los ganchos S abiertos en la parte inferior de los juegos de cables.



## Instalación sobre varilla (continuación)

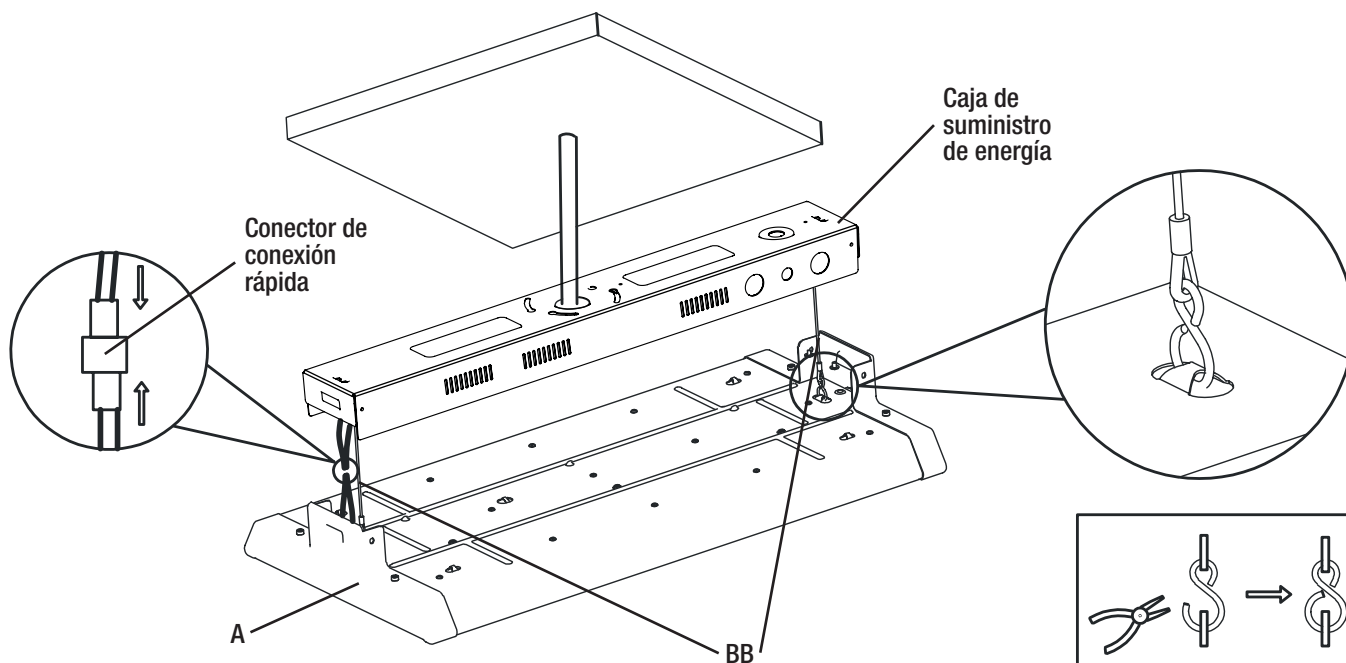
### 3 Instalación de la caja de suministro de energía

- Fije el tubo rígido (no incluido) al techo y pase los cables de la caja eléctrica a través del tubo.
- Coloque el tubo a través del agujero ciego central en la caja de suministro de energía y asegúrelo con el hardware de tamaño adecuado (no incluido).



### 4 Colocación de la caja de lámpara en la caja de suministro de energía

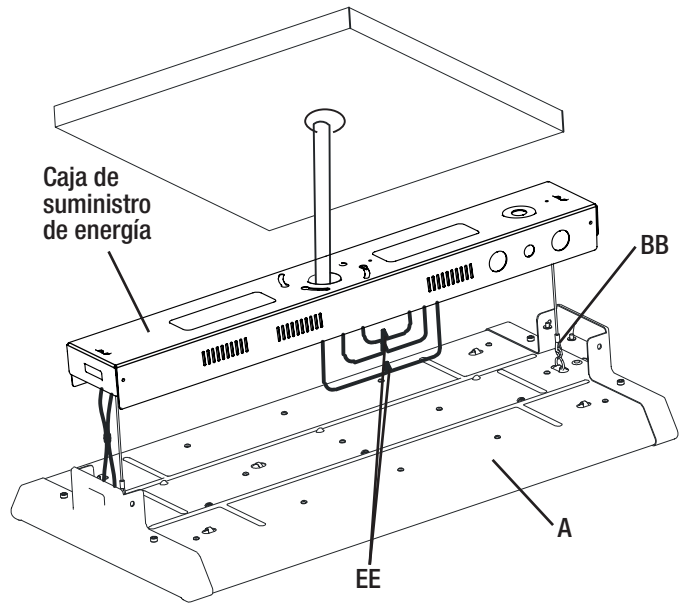
- Fije los ganchos abiertos en los extremos de los juegos de cables (BB) a los agujeros de suspensión de la caja de lámpara (A).
- Cierre los ganchos abiertos con alicates.
- Conecte los dos extremos de los cables de conexión rápida.



## Instalación sobre varilla (continuación)

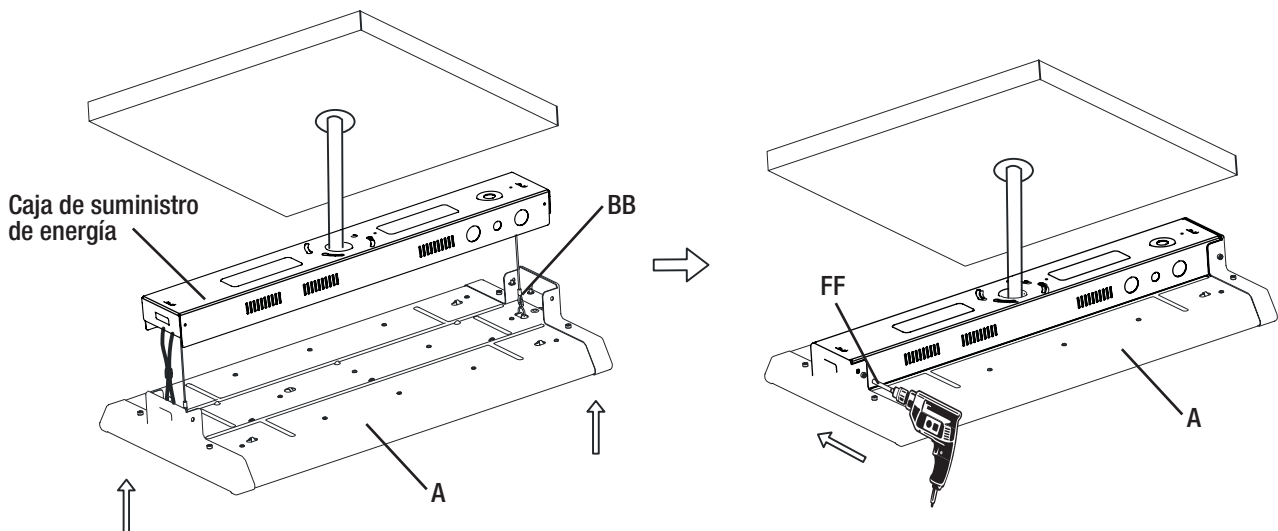
### 5 Hacer las conexiones eléctricas

- Conecte los cables principal y neutro (negro y blanco) de la caja de suministro de energía a los cables del mismo color de la caja eléctrica.
- Conecte el cable verde de la caja de suministro de energía al cable de conexión a tierra de la caja eléctrica.
- Si está disponible un circuito de atenuación 0-10v, conecte los cables púrpura y gris de la caja de suministro de energía a los cables del mismo color de la caja eléctrica.
- Si no se desea atenuar, envuelva los extremos de los cables púrpura y gris con cinta aislante para cubrirlos.
- Cubra las conexiones utilizando los conectores de cable (EE).
- Envuelva los conectores (EE) con cinta aislante para una conexión más segura.
- Coloque los cables de nuevo dentro de la caja de suministro de energía.



### 6 Reinserción de la caja de suministro de energía en la caja de la lámpara

- Alinee los orificios de tornillos de la caja de la lámpara (A) con los orificios de tornillos de la caja de suministro de energía, asegurándose de que todos los cables se insertan dentro de la caja de suministro de energía.
- Fije la caja de la lámpara (A) a la caja de suministro de energía con los tornillos previamente extraídos, utilizando la broca hex para herramienta eléctrica (FF).



### 7 Restauración de la energía

- Restaure la energía en el panel eléctrico.
- Encienda el interruptor para activar la lámpara.

## Cuidado y limpieza



**PRECAUCIÓN:** Antes de limpiar el aparato, desconecte el suministro eléctrico hacia este apagando el cortacircuitos o extrayendo el fusible de la caja de fusibles.

- Limpie el aparato con un paño suave y seco.
- No utilice limpiadores con productos químicos, solventes o abrasivos.
- No use limpiador líquido en las bombillas LED, en la unidad LED ni en los cables que están dentro de la lámpara

## Solución de problemas



**ADVERTENCIA:** Antes de realizar cualquier trabajo en el aparato, desconecte la electricidad que la alimenta.

Los problemas menores pueden arreglarse sin ayuda de un electricista.

Problema	Posible causa	Medida correctiva
La lámpara no enciende.	El suministro eléctrico está cortado.	Asegúrese de que el suministro eléctrico esté activado.
	El cortacircuitos está apagado.	Asegúrese de que el cortacircuitos esté en la posición de encendido.
	Mal conexión de cables.	Revise para asegurarse de que se hayan conectado los cables de forma correcta. Comuníquese con un electricista calificado.
	El interruptor está defectuoso.	Comuníquese con un electricista calificado.
El fusible se quema o salta el cortacircuitos cuando se enciende la lámpara.	Los cables están cruzados o el cable de suministro eléctrico no está puesto a tierra.	Verifique las conexiones de los cables. Comuníquese con un electricista calificado o llame al Centro de Atención al Cliente de Commercial Electric 1-877-527-0313.





¿Preguntas, problemas, piezas faltantes? Antes de devolver el producto a la tienda,  
llame al Centro de Atención al Cliente de Commercial Electric en el horario de  
8 a.m. – 7 p.m., Hora del Este de EE.UU., de lunes a viernes.  
9 a.m. – 6 p.m., Hora del Este de EE.UU., sábados.

**1-877-527-0313**

**HOMEDEPOT.COM**

Conserve este manual para uso futuro.