

# ASSEMBLY GUIDE

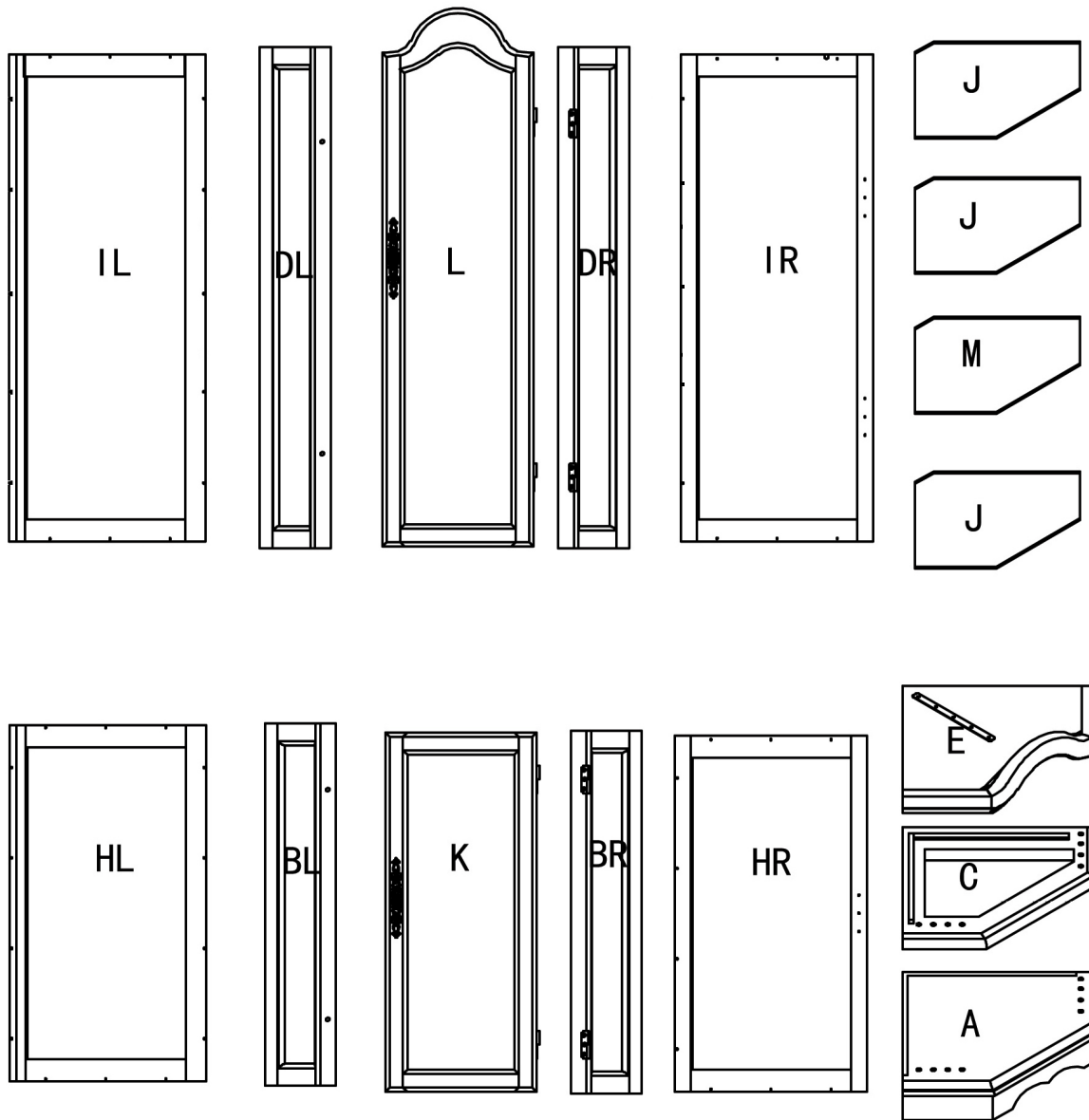
## MODEL FSCC702115



Note: This instruction booklet contains important safety information, please read and keep for future reference.

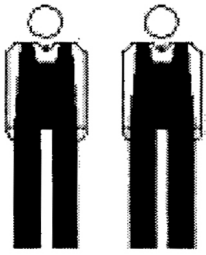
# PARTS IDENTIFICATION

- Ensure that all parts and components are located before beginning assembly. Parts are labeled to help distinguish similar parts from each other. Use this PARTS IDENTIFICATION to help identify similar parts.
- Assemble on a soft surface to prevent damage to the product finish.
- Two people are needed for assembly.
- Estimated assembly time is approximately 1.5 hours.

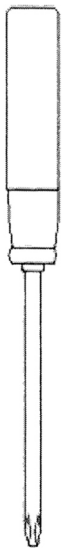


- |                              |                               |                           |
|------------------------------|-------------------------------|---------------------------|
| (A) BASE-1PC                 | (BL) LEFT PANEL-1PC           | (BR) RIGHT PANEL-1PC      |
| (C) SHELF BOARD-1PC          | (DL)TOP LEFT PANEL-1PC        | (DR) TOP RIGHT PANEL-1PC  |
| (E) COVER BOARD-1PC          | (J) SHELF-3PCS                | (HL) LEFT BACK PANEL -1PC |
| (HR)RIGHT BACK PANEL-1PC     | (K) DOOR                      | (L) TOP DOOR              |
| (IL) TOP LEFT BACK PANEL-1PC | (IR) TOP RIGHT BACK PANEL-1PC |                           |
| (M)SHELF-1PC                 |                               |                           |

# HARDWARE IDENTIFICATION



TOOL REQUIRED

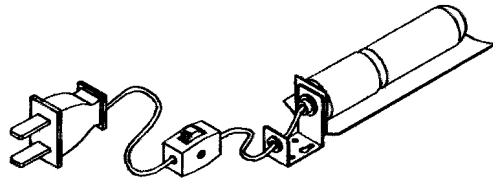


PHILLIPS HEAD  
SCREWDRIVER

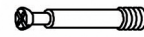


SHORT FLAT  
SCREWDRIVER

(R1)LIGHT-1PC



(R2)CAM BOLT-16PCS



(R3)CAM LOCK-16PCS



(R4)FLAT HEAD SCREW  
ST2.9X20- 9 PCS



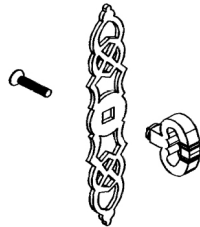
(R5)FLAT HEAD SCREW  
ST2.9X25-42PCS



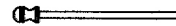
(R6)SHELF SUPPORT-15PCS



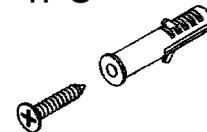
(R7) DOOR KNOB-2PCS



(R8)HINGE PILLAR-4PCS



(R9) ADJUSTABLE FOOT-5PCS (R10)PLASTIC SCREW ANCHOR  
-1PC



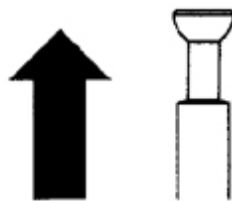
(R11) FLAT HEAD SCREW  
ST2.9X12-2PCS



(R12)DOWEL-16PCS



# CAM LOCK SYSTEM



(1)

CORRECT

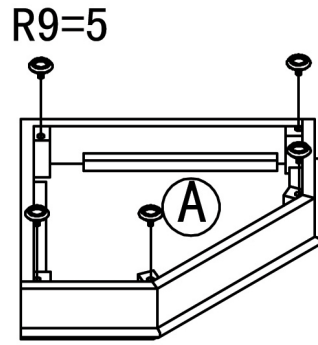
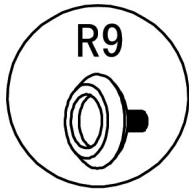


(2)

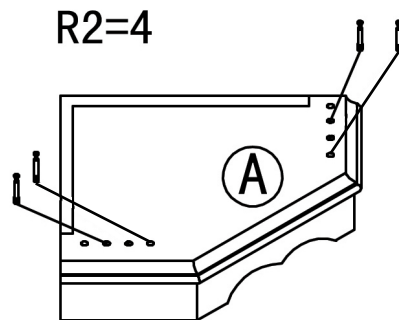
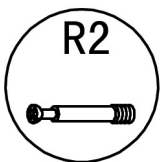
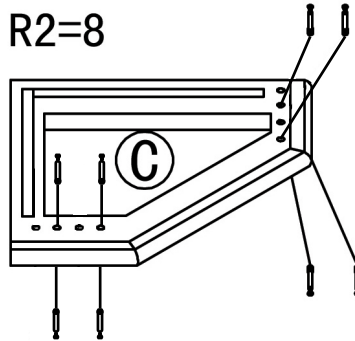
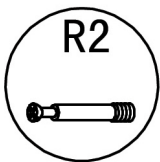
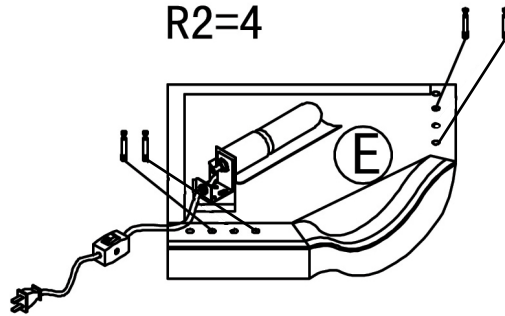
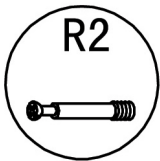
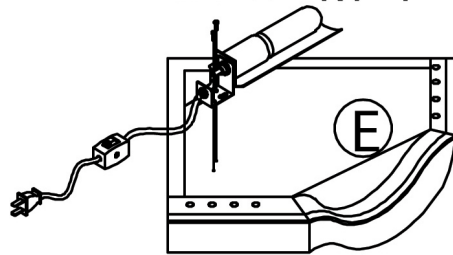
WRONG

Ensure starting position is correct, adjust cam bolt by pushing or pulling during assembly. Turn clockwise until secure.

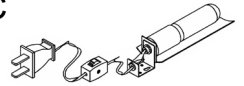




R11=2 R1=1



(R1)LIGHT-1PC



(R2)CAM BOLT-16PCS



(R11)FLAT HEAD SCREW  
(ST2.9X12)-2PCS



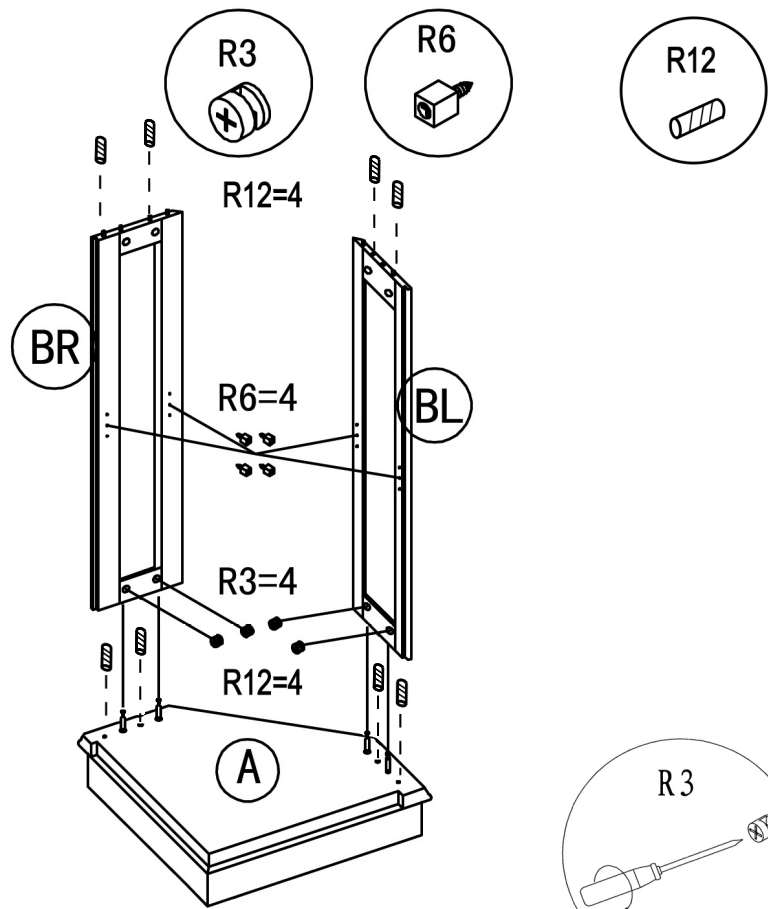
(R9)ADJUSTABLE FOOT-5PCS



1. a)Fasten 5 adjustable foot R9 to base A.

b)Fasten light R1 to cover board E using 2 flat head screw R4(ST2.9X12).

c)Fasten 16 cam bolt R2 to cover board E, both sides of shelf board C and base A.



(R3)CAM LOCK-8PCS



(R12)DOWEL-8PCS

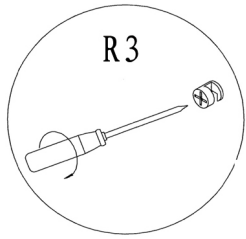


(R6)SHELF SUPPORT-4PCS



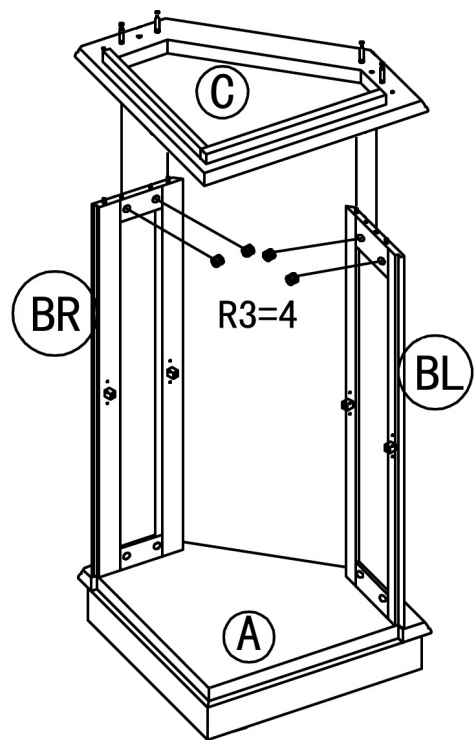
2. a) Insert dowel R12 to base A, left panel BL and right panel BR.

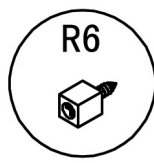
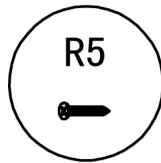
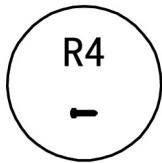
b) Fasten left panel BL, right panel BR to base A using 4 cam lock R3 .





c) Fasten 4 shelf support R6 to left and right panel BL&BR.

d) Fasten shelf board C to left and right panel BL&BR. using 4 cam lock R3 .

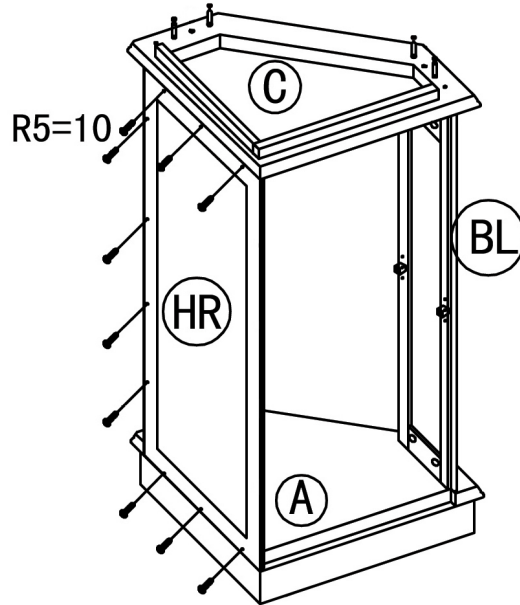
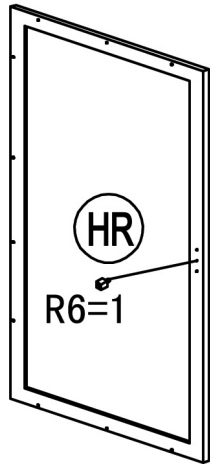




(R4)FLAT HEAD SCREW  
ST2.9X20-4PCS 

(R5)FLAT HEAD SCREW  
ST2.9X25-20PCS 

(R6)SHELF SUPPORT-1PC 

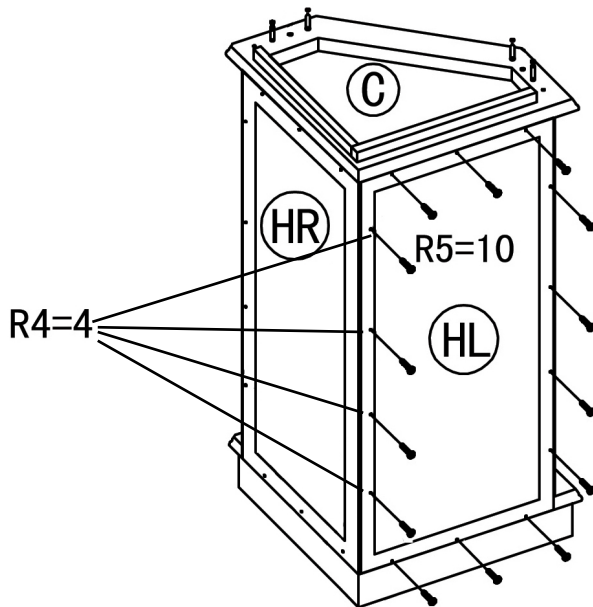


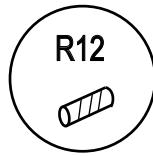
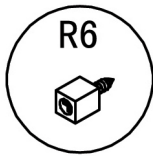
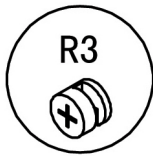
3. a)Fasten 1 shelf support R6 to right back panel HR.

b)Fasten right back panel HR to base A,shelf board C and right panel BR using 10 flat head screw R5(ST2.9X25).

c)Fasten left back panel HL to base A,shelf board C and left panel BL using 10 flat head screw R5(ST2.9X25).

d)Fasten left back panel HL to right back panel HR using 4 flat head screw R4 (ST2.9X20)





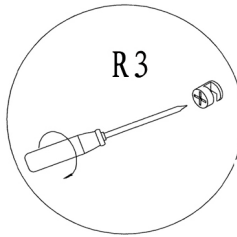
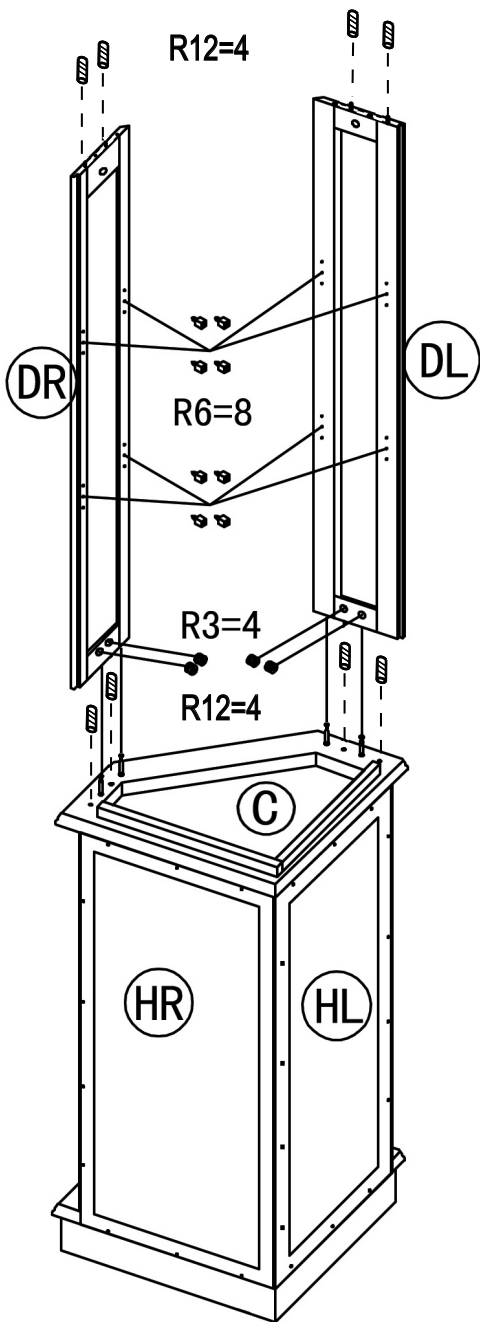
(R3)CAM LOCK-4PCS



(R6)SHELF SUPPORT-8PCS



(R12)DOWEL-8PCS



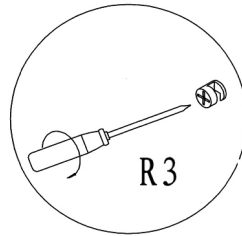
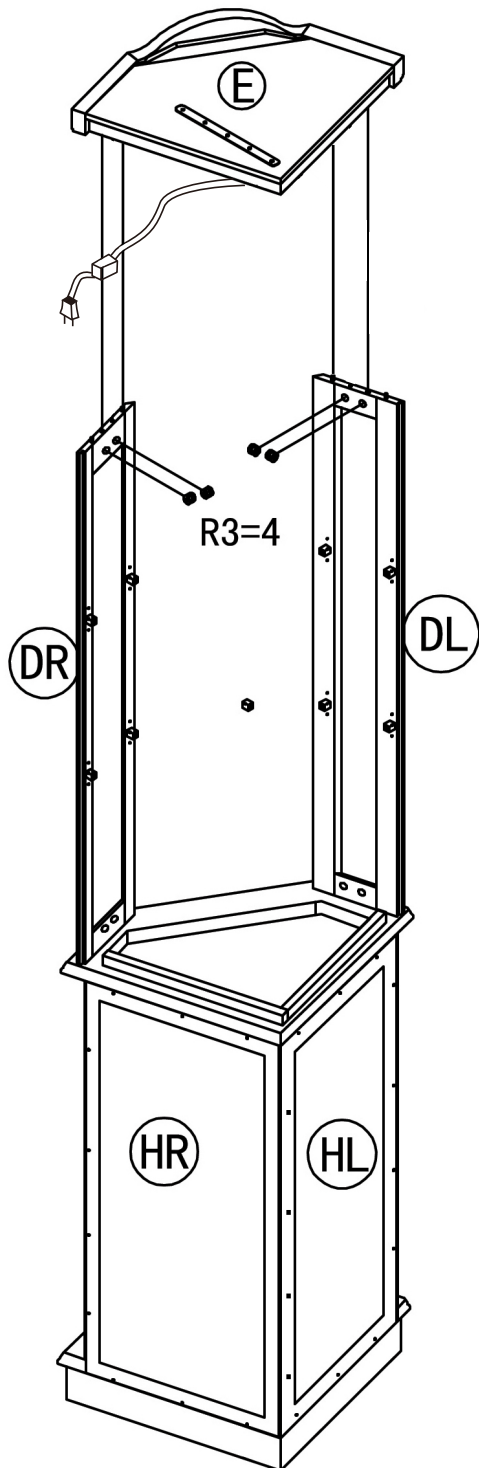
4. a) Insert dowel R12 to shelf board C, top left panel DL and right panel DR.

b) Fasten top left panel DL, top right panel DR to shelf board C using 4 cam lock R3 .

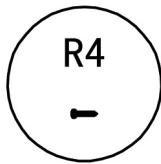
c) Fasten 8 shelf support R6 to top left and right panel DL&DR.



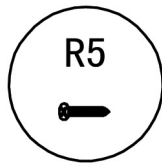
(R3)CAM LOCK-4PCS



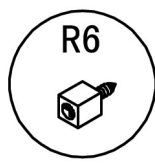
5. a) Insert cover board E to top left panel DL ,top right panel DR,then fasten 4 cam lock R3.



R4



R5



R6

(R4)FLAT HEAD SCREW  
ST2.9X20-4PCS



(R5)FLAT HEAD SCREW  
ST2.9X25-22PCS



(R6)SHELF SUPPORT-2PCS

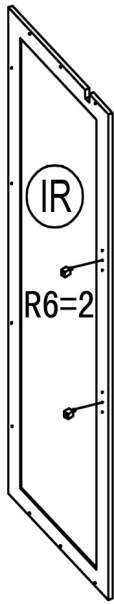
6.a)Fasten 2 shelf support R6 to  
top right back panel IR.

b)Fasten top right back panel IR  
to shelf board C,cover board  
E and top right panel DR  
using 11 flat head screw R5  
(ST2.9X25).

c)Fasten top left back panel IL  
to shelf board C,cover board  
E and top left panel DL using  
11 flat head screw R5  
(ST2.9X25).

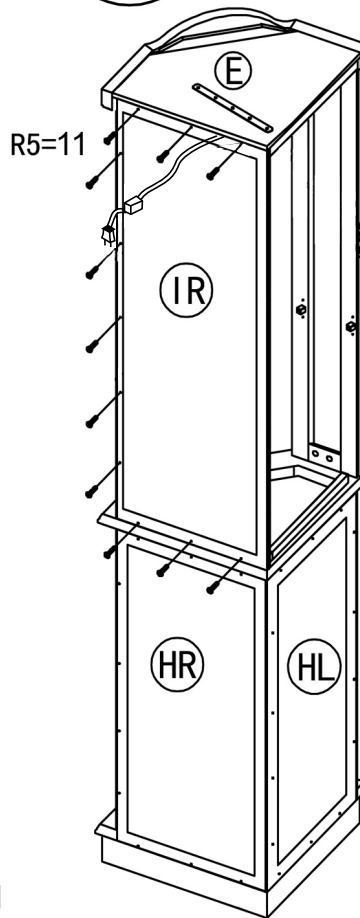
d)Fasten top left back panel IL  
to top right back panel IR  
using 5 flat head screw R4  
(ST2.9X20).

NOTE:the wire of light R1 should  
get through from the hole  
on right top back panel IR.



IR

R6=2

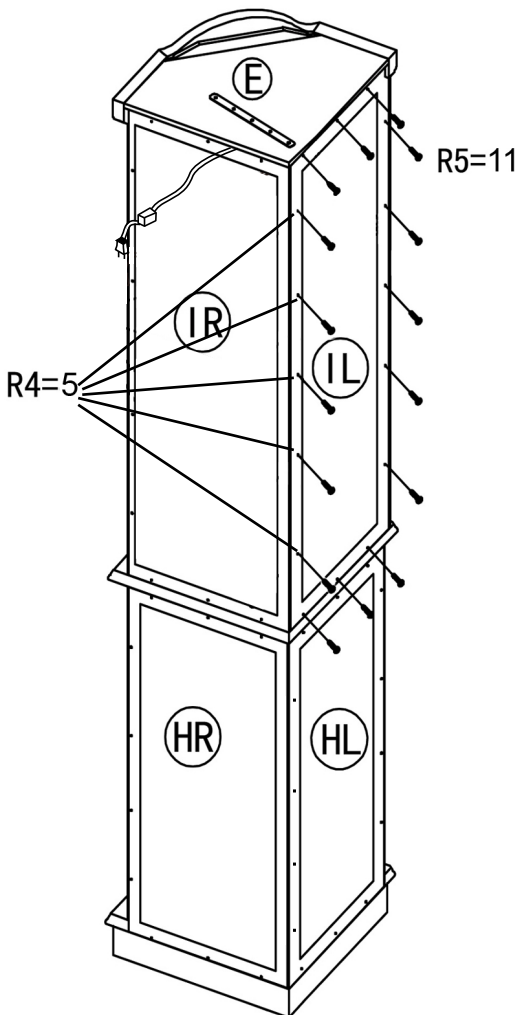


R5=11

IR

HR

HL



R5=11

R4=5

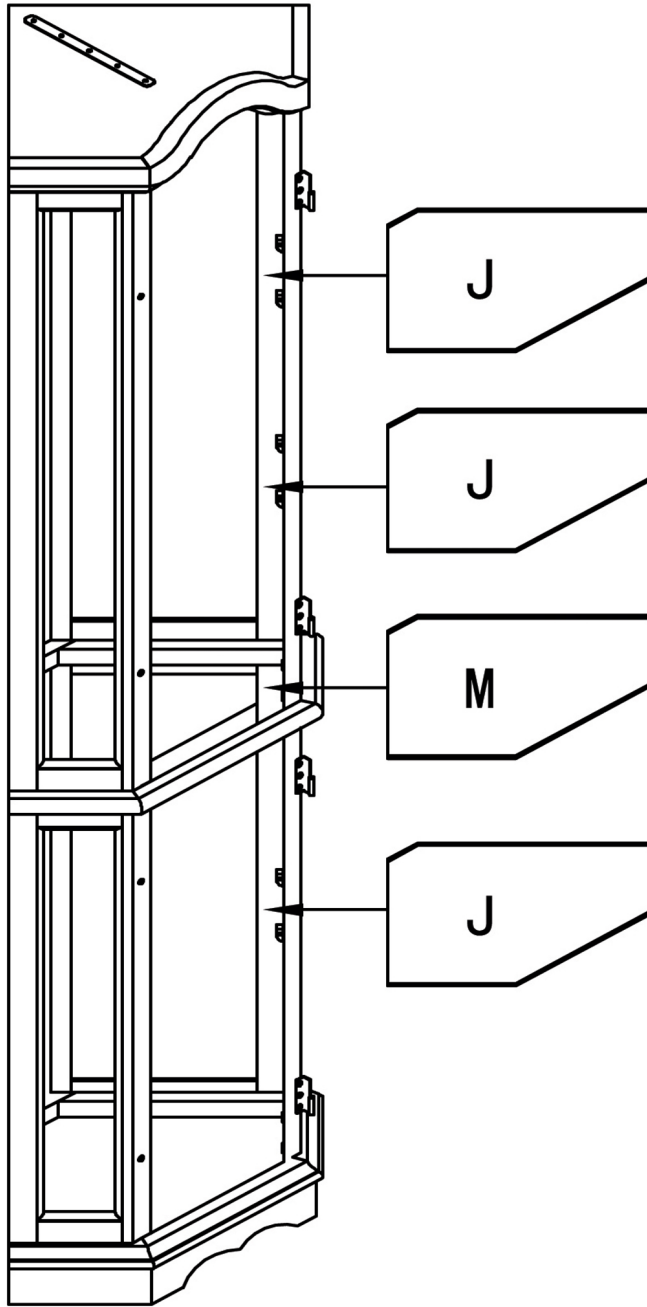
IR

IL

HR

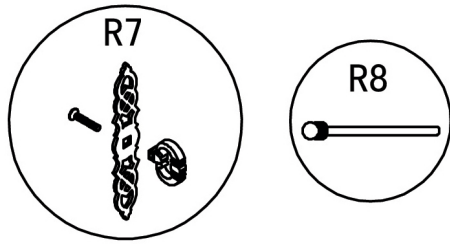
HL





7. a) Put 3 shelf J on shelf support.

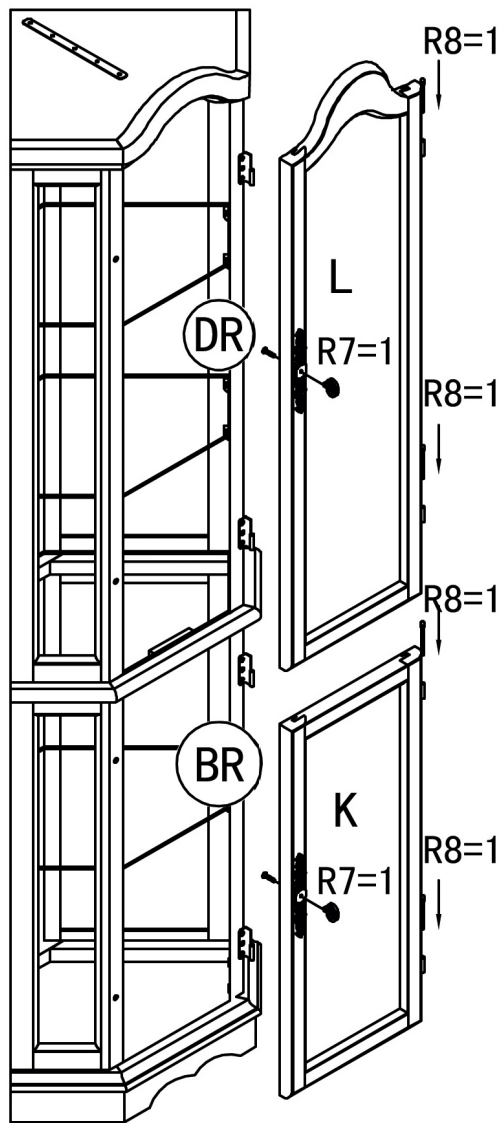
b) Put shelf M on shelf board  
C



(R7) DOOR KNOB-2PCS



(R8) HINGE PILLAR-4PCS



8. a) Attach door K to right panel BR, then insert 2 hinge pillar R8.

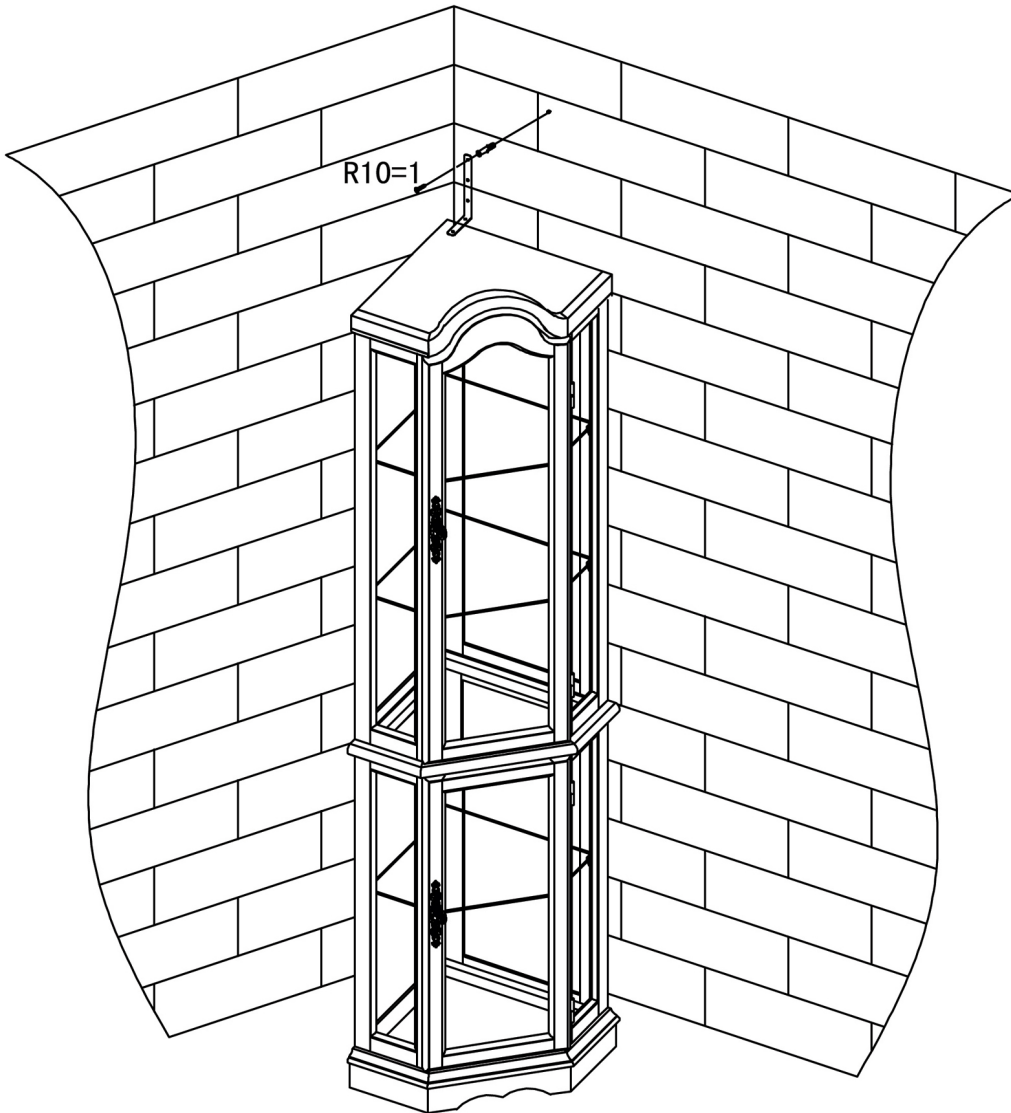
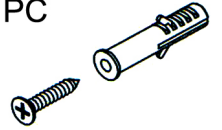
b) Attach door L to top right panel DR, then insert 2 hinge pillar R8.

c) Fasten 2 door knob R7 to door K and top door L using 2 screws.





(R10) PLASTIC SCREW  
ANCHOR-1PC



9. a) In order to ensure that the cabinet is stable, adjust the adjustable foot under the cabinet. As an added safety feature a support strap on cover board E has been provided. It must be attached to the wall using plastic screw anchor R10.

# Care and Maintenance of your Furniture

- 1.Ensure metal plated hinges are kept dry to avoid rusting.
- 2.Please periodically check all fittings and re-tighten as necessary.
- 3.Wipe occasionally with a soft cloth slightly dampened with water.Then buff with a dry clean soft cloth.
- 4.Never allow any kind of liquid to remain on your furniture. Absorption can cause wood to warp or finishes to de-laminate.