



see what Delta can do™

Foundations® Toilet C41913▲

STANDARD SPECIFICATIONS:

- Vitreous China
- 27 1/16" (687 mm) in length, 17 1/2" (445 mm) in width, 30 13/16" (783 mm) in height.
- Round front bowl with chair height design 16 1/2" (419 mm) to top of the bowl.
- 12" (305 mm) rough-in.
- High efficiency 1.28 gpf (4.8 lpf).
- 3" (76 mm) flush valve.
- 2" (51 mm) fully glazed trapway.
- Includes polished chrome trip lever.

WARRANTY

- Chinaware – Lifetime limited warranty; or for commercial purchasers, 10 years for multi-family residential (apartments and condominiums) and 5 years for all other commercial uses, in each case from the date of purchase.
- Mechanical Parts – 1 year from the date of purchase.
- Electronic Parts and Batteries (if applicable) – 5 years from the date of purchase; or for commercial purchasers, 1 year from the date of purchase. No warranty is provided on batteries.
- Toilet Seats – 1 year from the date of purchase. For commercial purchasers no warranty is given.

Technical Information	
Fixture configuration	Two-piece, round bowl
Water per flush	1.28 gpf (4.8 lpf)
Passageway	2" (51 mm)
Water area	8 31/32" X 6 21/32" (228 mm x 169 mm)
Seat post hole centers	5 1/2" (140 mm)
Included Components:	
Tank Assembly	RP81873▲
Tank Cover	RP82448▲
Trip Lever	RP82450▲
Mounting Hardware – Bowl to floor	RP100489
Mounting Hardware – Tank to bowl	RP82451
Seat Assembly	RP92085▲

▲ Designate proper finish suffix (-WH for white)



COMPLIES WITH

- ADA / ANSI A117.1
- ASME A112.19.2 / CSA B45.1
- ASME A112.19.5
- EPA WaterSense® High Efficiency Toilet
- CalGreen

Installation Notes

- Install this product according to the installation guide.
- This model complies with the American Disabilities Act (ADA) when installed per the requirements of the Accessibility Guidelines, Section 604 Water Closets, of the Act, which includes the installation of an open front seat (not included).
- This model complies with CSA B651 when installed per Clause 4.3.6 of the standard.



see what Delta can do™

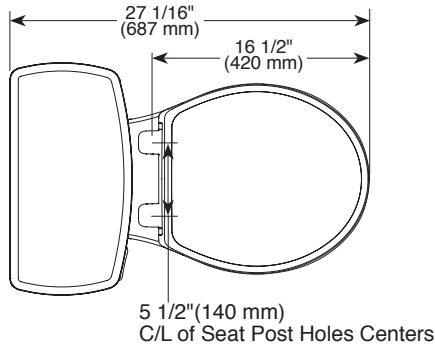
Foundations® Toilet C41913▲



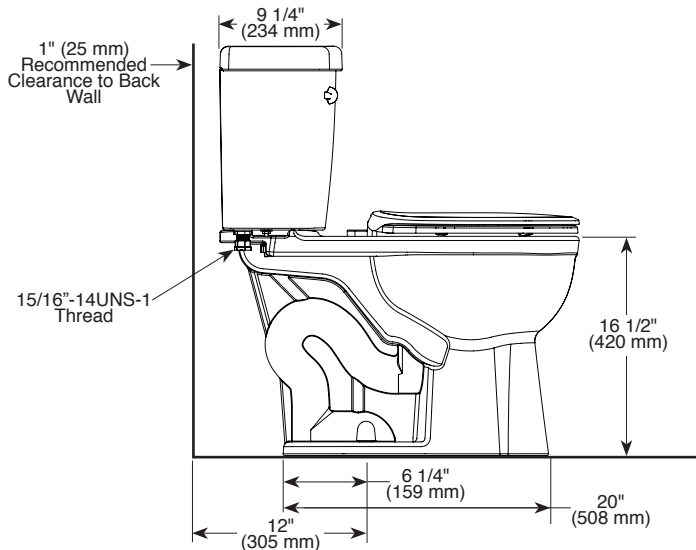
Submitted Model No.: _____

Specific Features: _____

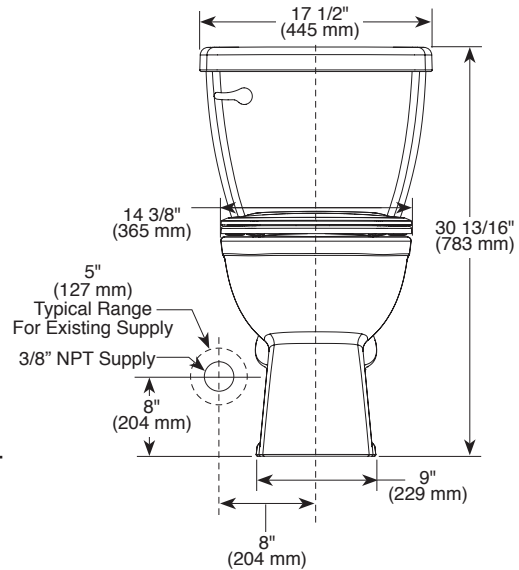
Top down view



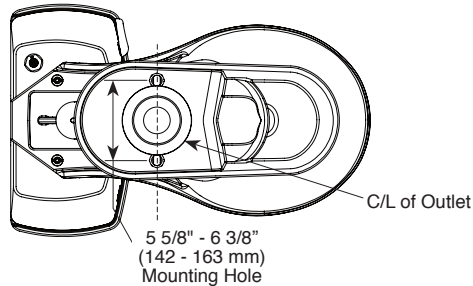
Left view



Front view



Foot Print



▲ Designate proper finish suffix (-WH for white)

Delta reserves the right (1) to make changes in specifications and materials, and (2) to change or discontinue models, both without notice or obligation. Dimensions are for reference only. See full-line pricebook or www.deltatoilet.com for finish options and product availability.