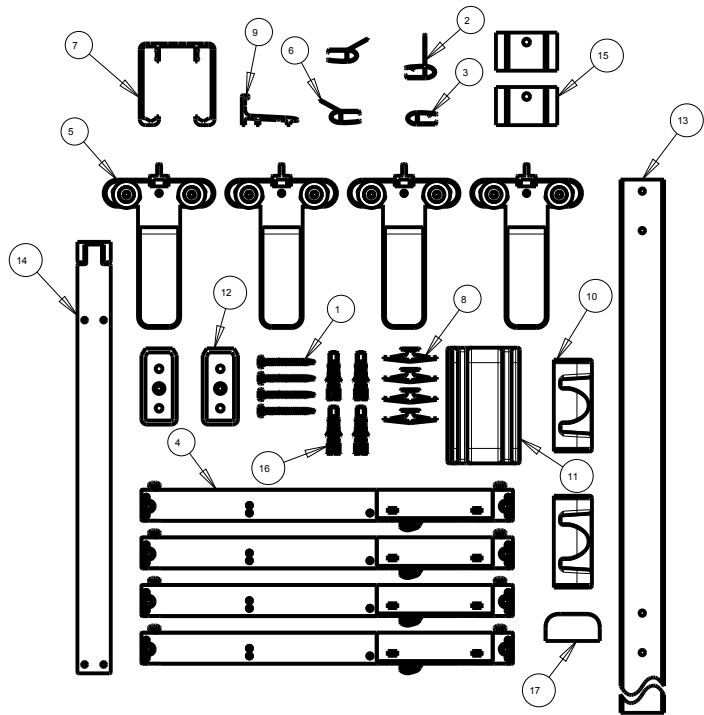


SHOWER DOOR

SLIDING MOD STYLE SHOWER TRACK 48-60"



ID	DESCRIPTION	QTY	MATERIAL
1	#8-18 X 1.5" LONG PHILLIPS HEAD	4	SS
2	6mm Blade Seal	1	PVC
3	6mm Bumper Seal	1	PVC
4	6mm Damper	4	ASSEMBLY
5	6mm Door Roller Assembly	4	ASSEMBLY
6	6mm Outer Angle Blade Seal	2	PVC
7	6mm Top Track	1	AL6463
8	Acrylic Wall Anchor	4	NYLON
9	Bottom Track	1	AL6463
10	Bumper	2	PVC
11	Center Divider	1	NYLON
12	Collar Bracket	2	ZINC_DIE_CAST
13	Collar Bracket Template	1	AL6063
14	Damper Drilling Template	1	NYLON
15	Retention Plate	2	NYLON
16	Tile Wall Anchors	4	PVC
17	Trim Cap	1	PVC

MATERIAL: Anodized Aluminum Extrusions (Track) and Zinc Die Cast (Mounting Brackets).
Bronze Finish and Matte Black are Powder Coated.

INSTALLATION: Detailed Instructions, Templates and Hardware Included for Easy Installation.

UNIQUE FEATURE: Constructed of Corrosion Resistant Anodized Aluminum.
48" - 60" Track Assembly Kit
Fits 48" Shower Doors with an Opening min/max of 43 3/8" - 47 3/8" (110cm-120cm),
with a Height of 71 1/2" (182cm).
Fits 60" Shower Doors with an Opening min/max of 50 1/8" - 58 1/2" (127cm-149cm),
with a Height of 71 1/2" (182cm).

NOTE: Height of 74" (188cm) Required for installation
Compatible with all 1/4 inch (6mm) Delta Shower Glass

WARRANTY: 5 Year Limited Warranty.

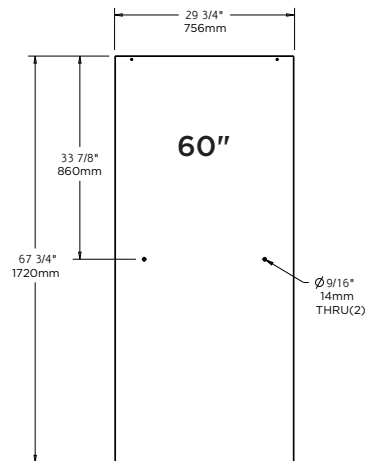
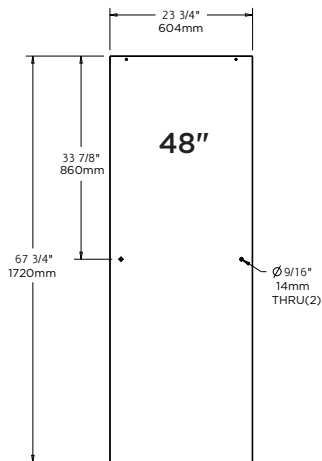


see what Delta can do

TECHNICAL DATA

Shower Door

SLIDING SHOWER 48" & 60" GLASS PANELS



MATERIALS:

1/4" (6mm) Tempered Glass Panel.

INSTALLATION:

Detailed Instructions and Hardware Included for Easy Installation.

UNIQUE FEATURE:

Traditional:

48": Fits Doors with an Opening min/max of 43 3/8" - 47 3/8" (110cm-120cm), with a Height of 70" (178cm).
60": Fits doors with an opening min/max of 50 1/8" - 59 3/8" (127cm-151cm), with a Height of 70" (178cm).

Contemporary:

48": Fits Doors with an Opening min/max of 43 3/8" - 47 3/8" (110cm-120cm), with a Height of 71" (180cm).
60": Fits Doors with an Opening min/max of 50 1/8" - 58 1/2" (127cm-149cm), with a Height of 71" (180cm).

Mod:

48": Fits Doors with an Opening min/max of 43 3/8" - 47 3/8" (110cm-120cm), with a Height of 74" (188cm).
60": Fits Doors with an Opening min/max of 50 1/8" - 58 1/2" (127cm-149cm), with a Height of 74" (188cm).

WARRANTY:

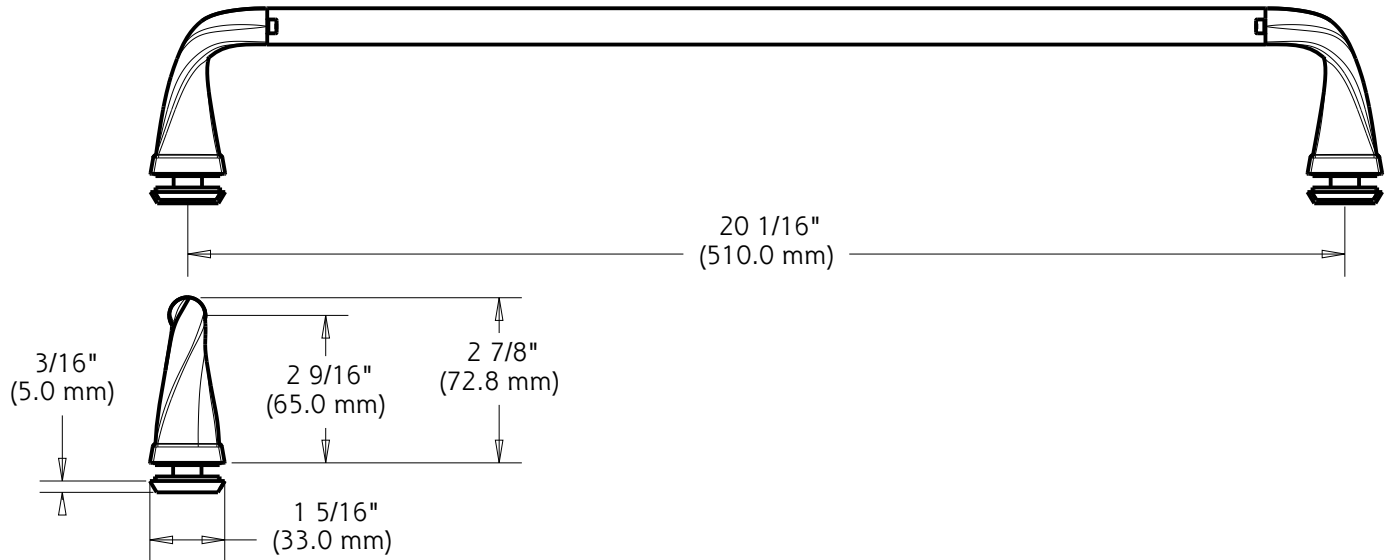
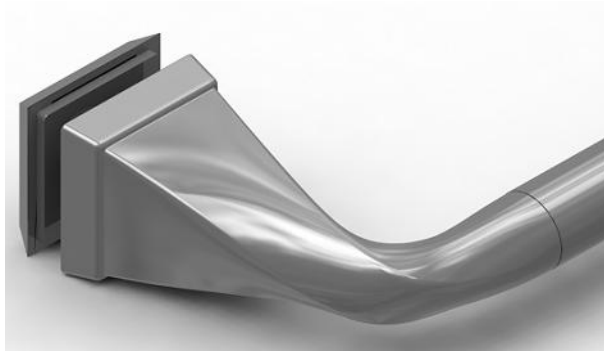
5 Year Limited Warranty.



see what Delta can do™

Shower Door

EVERLY™ HANDLE



MATERIALS: Zinc Posts for all
 Aluminum Bar: Brushed Nickel, Oil Rubbed Bronze and Matte Black.
 Stainless Steel Bar: Polished Chrome.

INSTALLATION: Detailed Instructions and Hardware Included for Easy Installation.

UNIQUE FEATURE: Coordinates with Delta® Faucets and Bath Hardware.
 Compatible with All Delta® Sliding Bathtub or Shower Doors.

WARRANTY: 5 Year Limited Warranty.



see what Delta can do