



## ILLUSTRATED PARTS BOOK

43cc Cultivator

P-CV-43

PCV43

PCV43.1

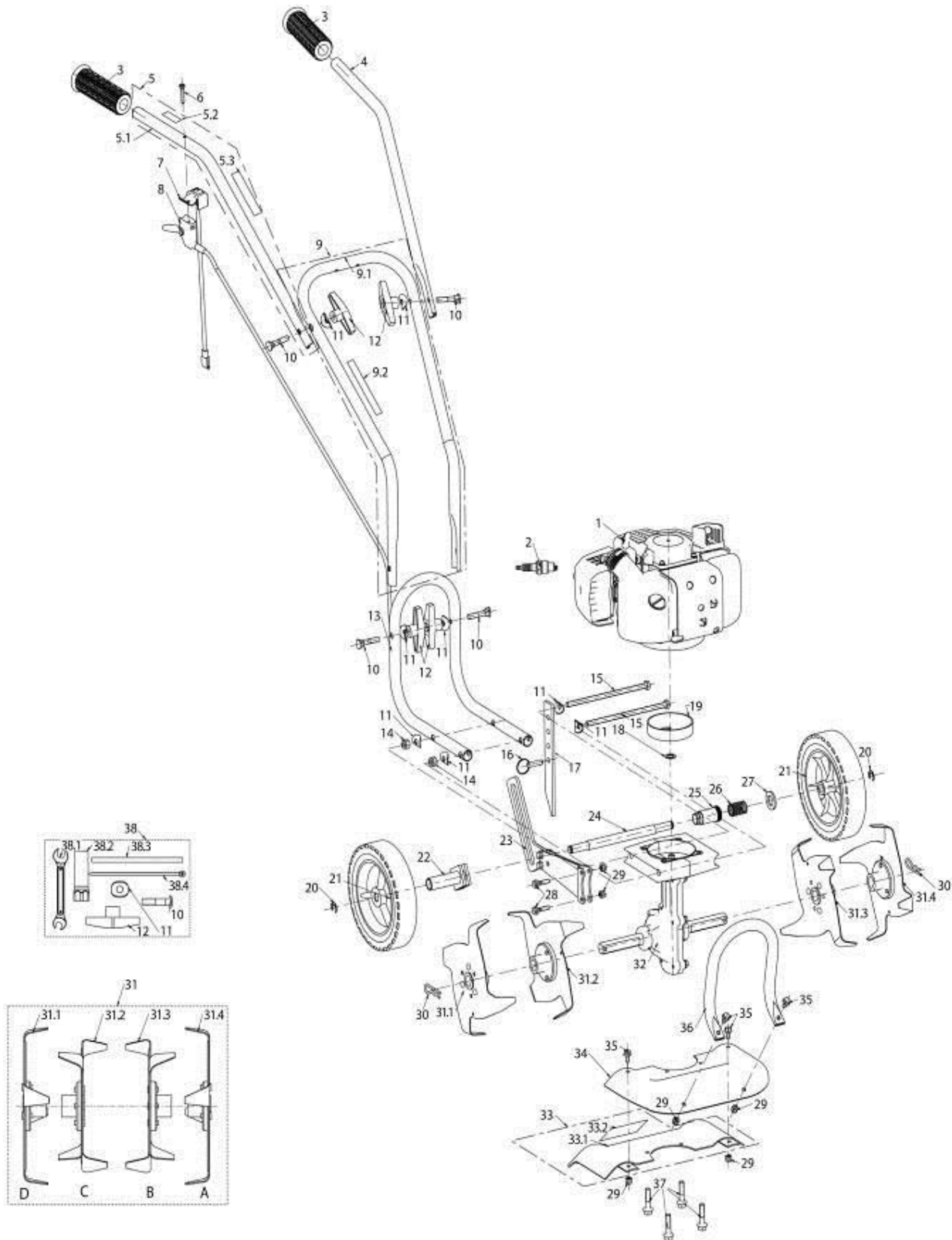
PCV43.2



# Table of Contents

Unit Assembly.....	2
Engine Sub Assemblies:	
Air Filter & Carburetor Assembly .....	6
Muffler Assembly.....	8
Fuel Tank Assembly.....	9
Clutch Assembly .....	10
Recoil Starter Assembly .....	11
Decal Kit .....	12

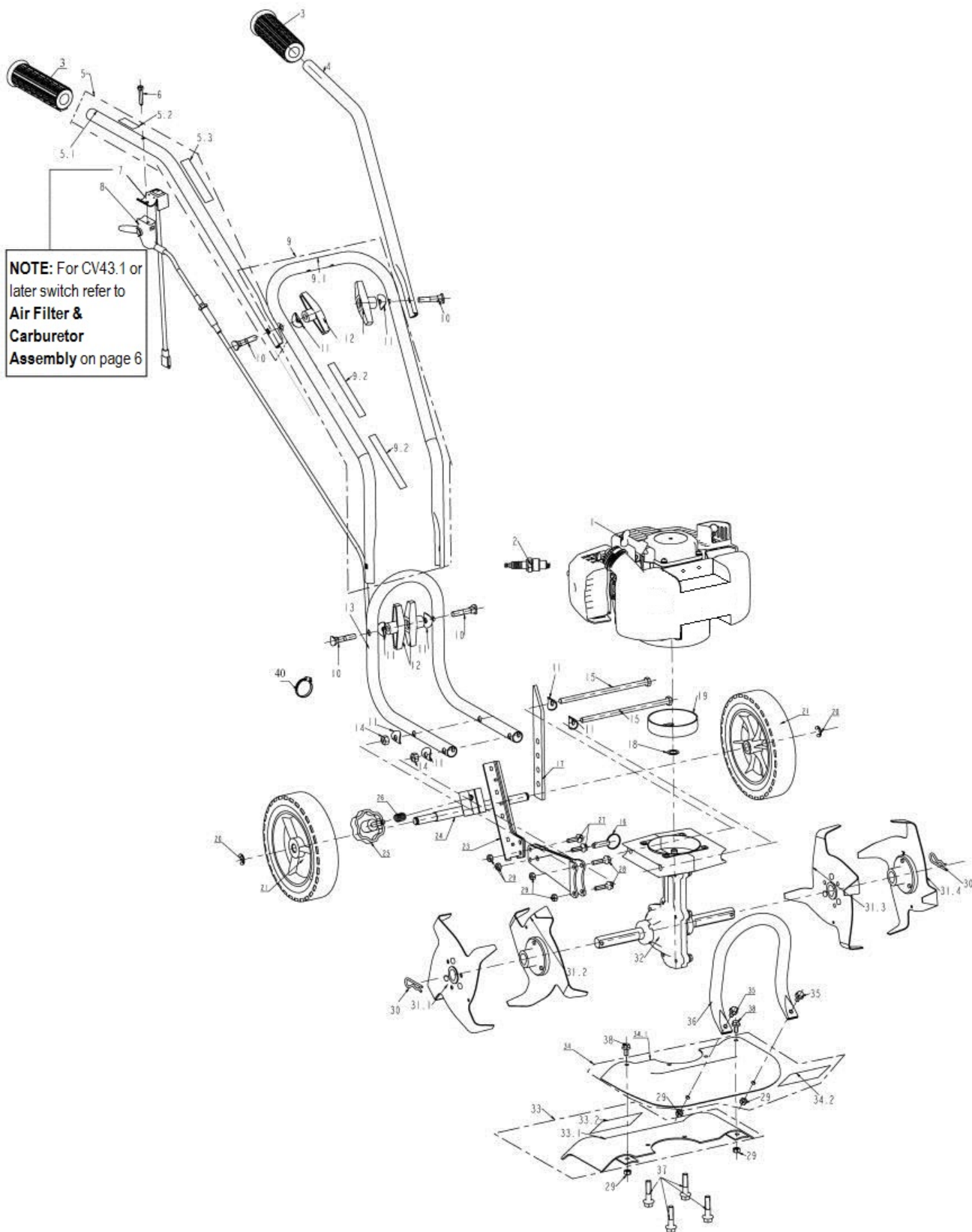
# Unit Assembly- Model produced before October 2010



# Unit Assembly

REF. NO.	DESCRIPTION	PART NO.	QTY
1	Engine	A200729	1
2	Spark Plug	A200730	1
3	Grip, Handle	A200731	2
4	Handle, Upper Left	A200732	1
5	Handle Assy, Upper Right	A200733	1
5.1	Handle, Upper Right	<i>For Reference Only</i>	1
5.2	Label, Switch	A200734	1
5.3	Label, Throttle	A200735	1
6	Screw ST4.8x32	A200736	1
7	Switch, Ignition	A200737	1
8	Throttle Trigger & Cable	A200738	1
9	Handle Assy, Middle	A200739	1
9.1	Handle, Middle	<i>For Reference Only</i>	1
9.2	Label, Start Instruction	A200740	1
10	Bolt M8x34	A101050	4
11	Curved Washer	A200741	8
12	Knob, Attachment	A200190	4
13	Handle, Lower	A200742	1
14	Nut M8	A200138	2
15	Bolt M8x165	A200743	2
16	Detent Pin	A200744	1
17	Drag Stake	A200745	1
18	Washer	A200746	1
19	Clutch Drum	A200747	1
20	Clip	A200748	2
21	Tire & Rim	A101384	2
22	Bracket, Sliding	A200749	1
23	Bracket, Wheel Adjust	A200750	1
24	Axle	A200751	1
25	Collar	A200752	1
26	Spring	A200753	1
27	Washer 16	A200754	1
28	Bolt M6x25	A200755	2
29	Nut M6	A200756	6
30	Cotter Pin	A200757	2
31	Tine Assembly	A200758	1
31.1	"D" Tine	A200791	1
31.2	"C" Tine	A200792	1
31.3	"B" Tine	A200793	1
31.4	"A" Tine	A200794	1
32	Transmission	A200759	1
33	Shield Assy, Powermate Rear	A201880	1
33.1	Shield, Rear	<i>For Reference Only</i>	1
33.2	Label, Warning	A201882	1
34	Shield, Powermate Front	A201883	1
35	Bolt M6x12	A200763	4
36	Handle, Front Carry	A200764	1
37	Bolt M6x35	A200765	4
38	Hardware Bag	A200766	1
38.1	Wrench	<i>For Reference Only</i>	1
38.2	Spark Plug Wrench	<i>For Reference Only</i>	1
38.3	Spark Plug Rod	<i>For Reference Only</i>	1
38.4	Cable Tie	A100522	3

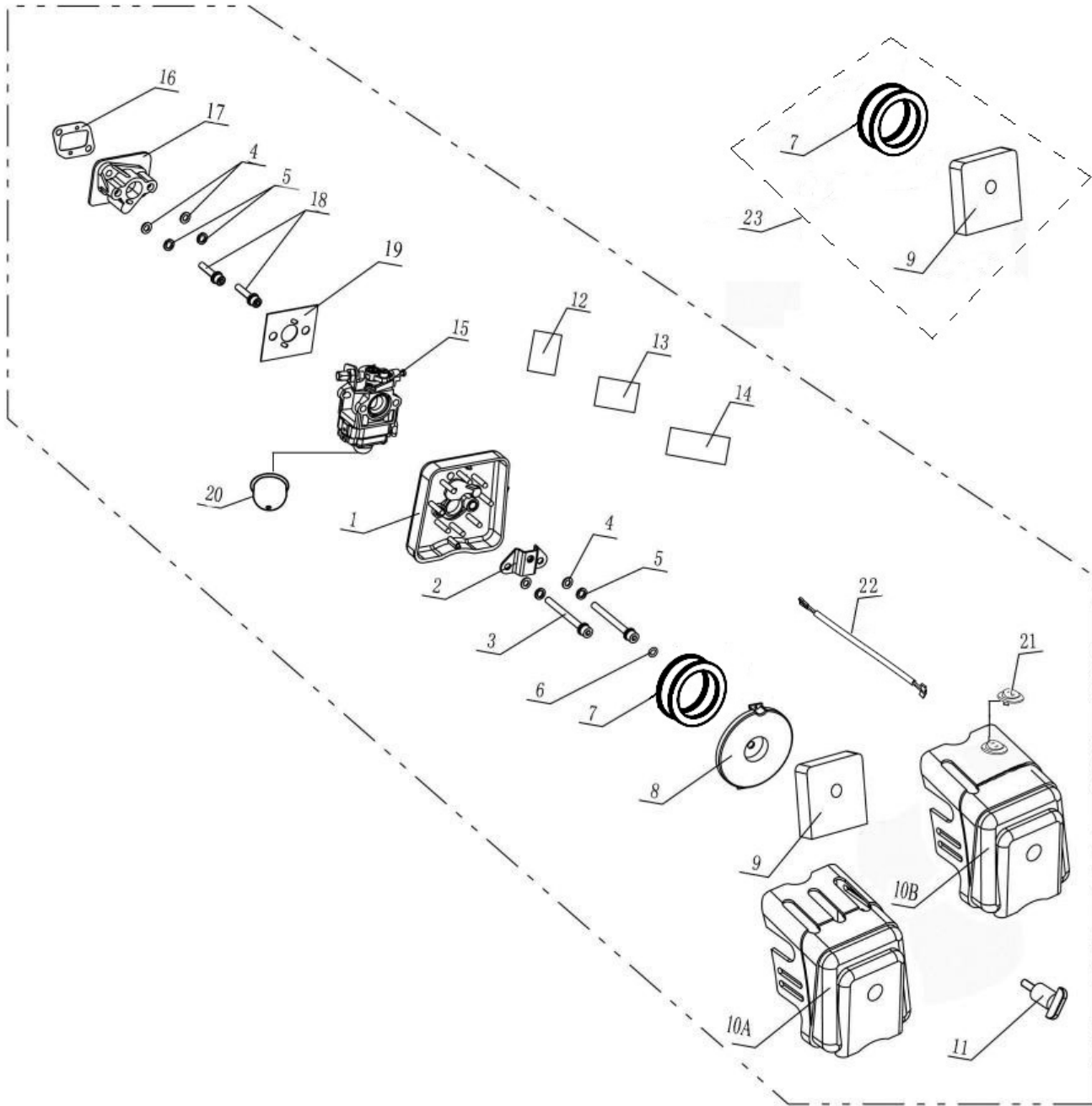
# Unit Assembly- Model produced after October 2010



# Unit Assembly

REF. NO.	DESCRIPTION	PART NO.	QTY
1	Engine, CV43	A200729	1
	Engine, CV43.1	A203162	
2	Spark Plug	A200730	1
3	Grip, Handle	A200731	2
4	Handle, Upper Left	A200732	1
5	Handle Assy, Upper Right	A200733	1
5.1	Handle, Upper Right	<i>For Reference Only</i>	1
5.2	Label, Switch	A200734	1
5.3	Label, Throttle	A200735	1
6	Screw ST4.8x32	A200736	1
7	Switch, Ignition	A200737	1
8	Throttle Trigger & Cable	A200738	1
9	Handle Assy, Middle	A200739	1
9.1	Handle, Middle	<i>For Reference Only</i>	1
9.2	Label, Start Instruction	A200740	1
10	Bolt M8x34	A101050	4
11	Curved Washer	A200741	8
12	Knob, Attachment	A200190	4
13	Handle, Lower	A200742	1
14	Nut M8	A200138	2
15	Bolt M8x165	A200743	2
16	Detent Pin	A200744	1
17	Drag Stake	A200745	1
18	Washer	A200746	1
19	Clutch Drum	A200747	1
20	Clip	A200748	2
21	Tire & Rim	A101384	2
23	Bracket, New Wheel Adjust	A201876	1
24	Axle, Wheel	A201877	1
25	Knob, Wheel Adjust	A201878	1
26	Spring, Wheel Adjust	A201879	1
27	Washer 16	A200754	1
28	Bolt M6x25	A200755	2
29	Nut M6	A200756	6
30	Cotter Pin	A200757	2
31	Tine Assembly	A200758	1
31.1	"D" Tine	A200791	1
31.2	"C" Tine	A200792	1
31.3	"B" Tine	A200793	1
31.4	"A" Tine	A200794	1
32	Transmission	A200759	1
33	Shield Assy, Powermate Rear	A201880	1
33.1	Shield, Powermate Rear	<i>For Reference Only</i>	1
33.2	Label, Powermate Warning	A201882	1
34	Shield, Powermate Front	A201883	1
35	Bolt M6x12	A200763	4
36	Handle, Front Carry	A200764	1
37	Bolt M6x35	A200765	4
38	Bolt M6X16	A201884	2

# Air Filter & Carburetor Assembly

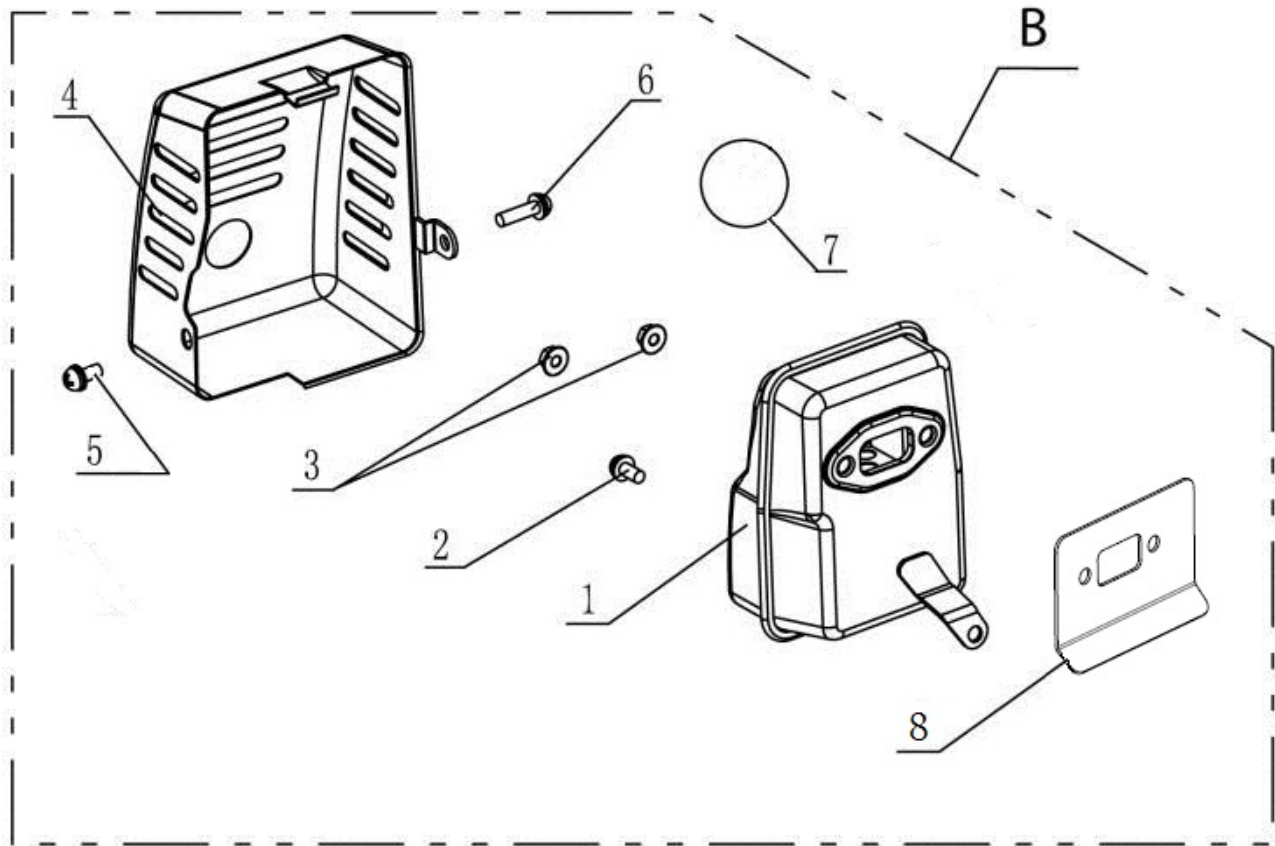


# Air Filter & Carburetor Assembly

REF. NO.	DESCRIPTION	PART NO.	QTY
1	Housing, Air Filter	A200832	1
2	Bracket, Air Filter Mounting	A200833	1
3	Bolt M5x55	A200834	2
4	Washer 5	A101197	4
5	Spring Washer 5	A101198	4
6	O Washer 3.15x1.8	<i>For Reference Only</i>	1
7	Filter, Pleated	<i>For Reference Only</i>	1
8	Mounting Plate, Air Filter	A200836	1
9	Filter, Foam Element	<i>For Reference Only</i>	1
10A	Cover, Air Filter (produced before October 2010)	A200837	1
10B	Cover, Air Filter (produced after October 2010)	A203059	1
11	Knob, Screw	A200770	1
12	Label, Primer Function	A200771	1
13	Label, Air Filter Service	A200772	1
14	Label, Choke Function	A200773	1
15	Carburetor	A200774	1
16	Gasket, Cylinder Intake	A200838	1
17	Isolator Block	A200839	1
18	Bolt M5x25	A200840	2
19	Gasket, Carburetor	A200841	1
20	Primer Bulb	A202743	1
21	ON/OFF Switch (produced after October 2010)	A203060	1
22	Wire, Coil to ON/OFF Switch	A203729	1
23	Kit, Filters (Includes items #7 & 9)	A203643	1

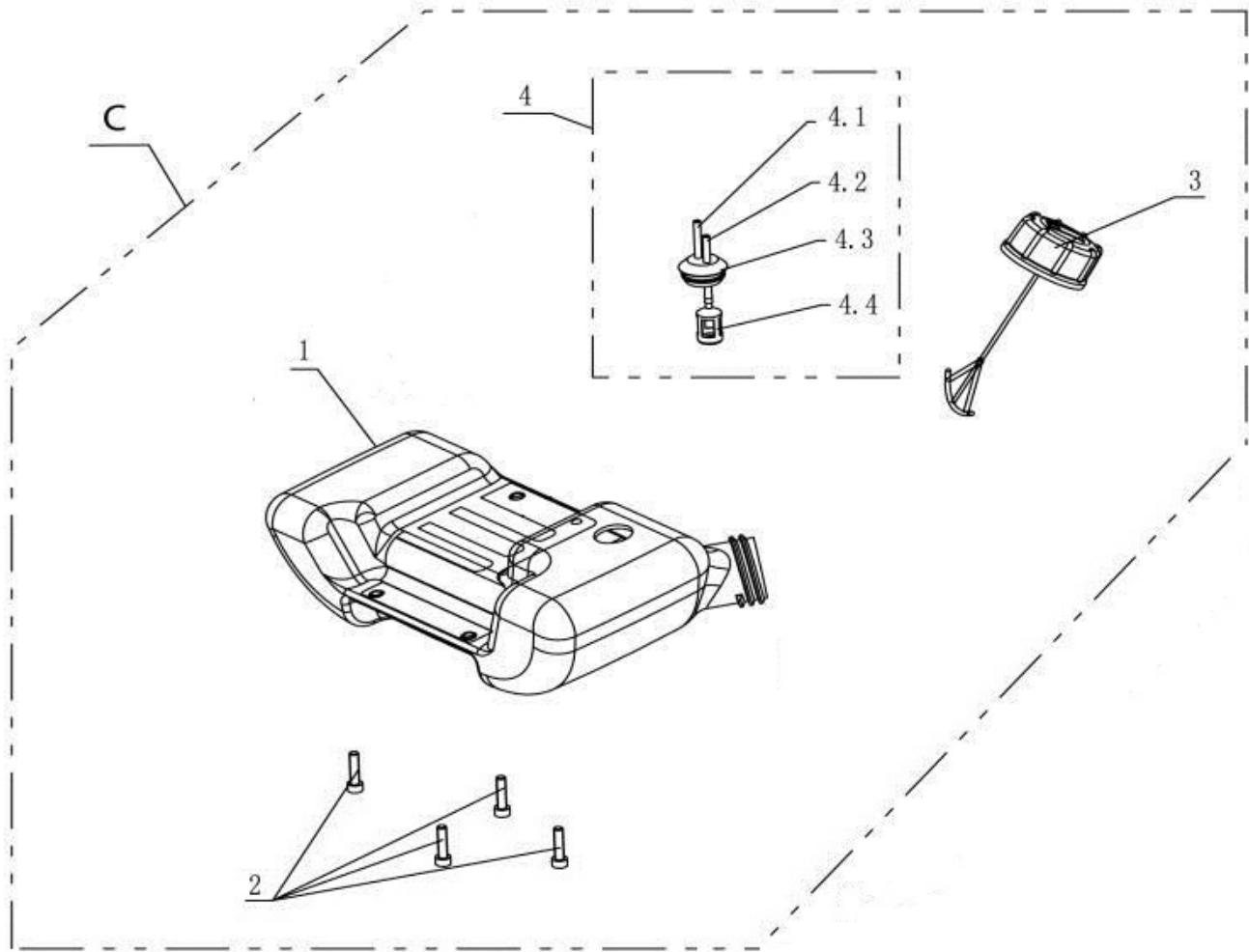


# Muffler Assembly



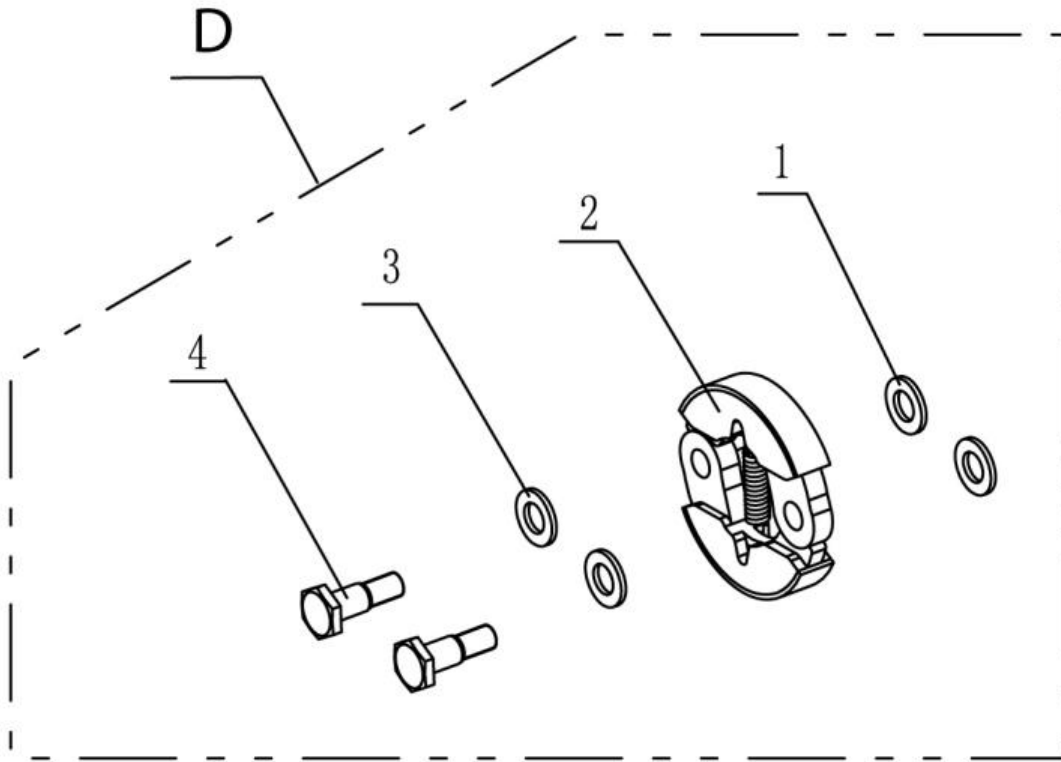
REF. NO.	DESCRIPTION	PART NO.	QTY
B	Muffler Assembly	A200775	1
1	Muffler	<i>For Reference Only</i>	1
2	Bolt M5x10	<i>For Reference Only</i>	1
3	Nut M6	<i>For Reference Only</i>	2
4	Cover, Muffler	A200844	1
5	Bolt M5x12	<i>For Reference Only</i>	1
6	Bolt M5x25	<i>For Reference Only</i>	1
7	Label, Hot	A200776	1
8	Gasket, Muffler	A201107	1

# Fuel Tank Assembly



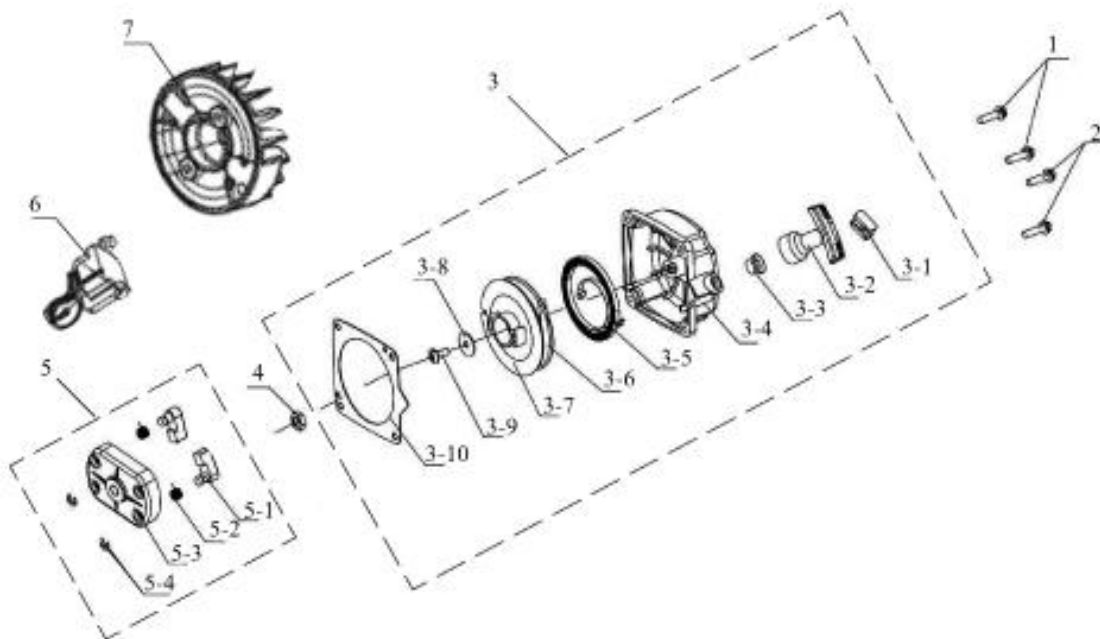
REF. NO.	DESCRIPTION	PART NO.	QTY
C	Fuel Tank Assembly	A200777	1
1	Fuel Tank Sub-Assy	A200778	1
2	Bolt M5x20	A200785	4
3	Fuel Cap	A200781	1
4	Fuel Line/Filter Sub-Assy	A200780	1
4.1	Fuel Line 1	<i>For Reference Only</i>	1
4.2	Fuel Line 2	<i>For Reference Only</i>	1
4.3	Seal, Fuel Lines	<i>For Reference Only</i>	1
4.4	Fuel Filter	A200851	1

# Clutch Assembly



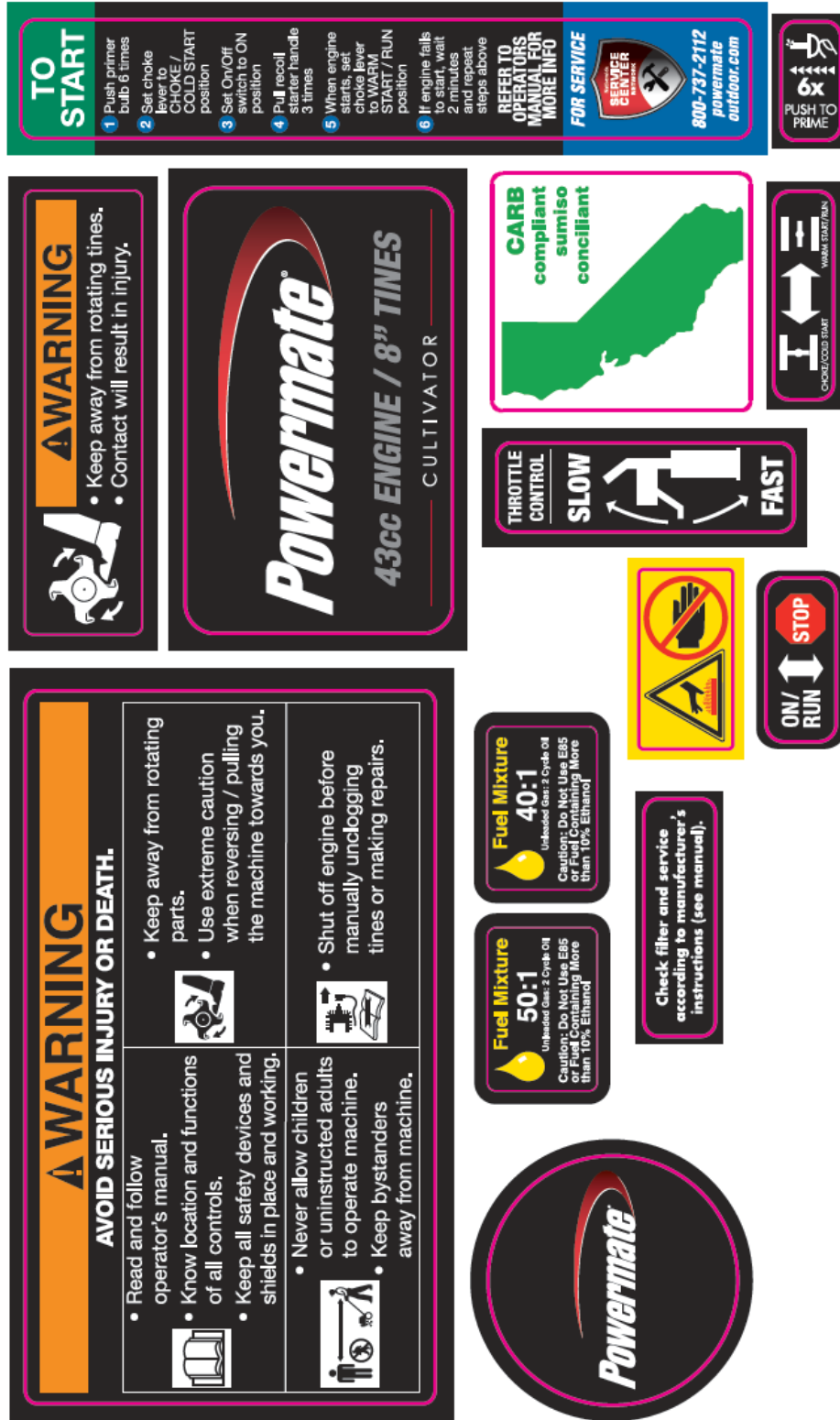
REF. NO.	DESCRIPTION	PART NO.	QTY
D	Clutch Assembly	A200782	1
1	Washer	<i>For Reference Only</i>	2
2	Clutch Shoes and Spring	<i>For Reference Only</i>	1
3	Wave Spring Washer	<i>For Reference Only</i>	2
4	Standing Bolt	<i>For Reference Only</i>	2

# Recoil Starter Assembly



REF. NO.	DESCRIPTION	PART NO.	QTY
E	Recoil Starter Assembly (includes #1-#5)	A200783	1
1	Bolt M5x25	<i>For Reference Only</i>	2
2	Bolt M5x20	<i>For Reference Only</i>	2
3	Recoil Starter	A200696	1
3.1	Rope Clamp	<i>For Reference Only</i>	1
3.2	Handle, Recoil Starter	<i>For Reference Only</i>	1
3.3	Guide Sleeve	<i>For Reference Only</i>	1
3.4	Cover, Recoil Starter	<i>For Reference Only</i>	1
3.5	Spring, Recoil Starter	<i>For Reference Only</i>	1
3.6	Robe, Recoil Starter	<i>For Reference Only</i>	1
3.7	Spool	<i>For Reference Only</i>	1
3.8	Washer	<i>For Reference Only</i>	1
3.9	Bolt M5x10	<i>For Reference Only</i>	1
3.10	Gasket, Recoil Starter	A200865	1
4	Nut	A200866	1
5	Pawl, Starter ASM	A200697	1
5.1	Starting Ratchet	<i>For Reference Only</i>	2
5.2	Returning Spring	<i>For Reference Only</i>	2
5.3	Base, Starting Ratchet	<i>For Reference Only</i>	1
5.4	Clip	<i>For Reference Only</i>	2
6	Ignition Module	A202703	1
7	Flywheel	A202704	1

# Decal Kit



REF. NO.	DESCRIPTION	PART NO.	QTY
F	Decal Kit	A203513	1