

Parts Catalog

32in Bagger

Zero-Turn-Radius Riding Mower

Model No. 79390—Serial No. 316000001 and Up



Ordering Replacement Parts

To order replacement parts, please supply the part number, the quantity, and the description of each part desired.

Understanding Reference Numbers

Each identified part in an illustration has a reference number. The reference number for a part also appears in the parts list, along with other information about the part.

This catalog uses two special reference number formats, one to indicate parts in a service assembly and another to indicate the quantity of a given part in an illustration.

Service Assembly Reference Numbers

Parts in service assemblies have reference numbers in the form a:b. The a represents the reference number of the entire service assembly and the b represents a sequential number unique to each part within the service assembly.

For example, a wheel assembly might be identified by reference number 6, the tire by 6:1, the valve by 6:2, and the wheel by 6:3. When you order the assembly identified by reference number 6, you receive all parts identified by reference numbers 6:1, 6:2, and 6:3. However, you may also order any part individually. Reference numbers of this type appear in illustration and in parts lists.

Reference Numbers Indicating Quantity

In an illustration, if a reference number indicates more than one part, the reference number has the form nX y. The n represents the quantity of the part, the X is the multiplication symbol, and the y represents the reference number.

For example, in an illustration, the reference number 2X 37 means that two of the parts identified by reference number 37 are indicated.

List of Abbreviations

AR: as required

ASM: assembly

BBC: blade brake control

BHTF: button head thread forming

CARR: carriage

CCW: counter clockwise

CW: clockwise

DEG: degrees

DPA: Dual Point Adjustment

ECM: electronic control module

EXT: external

FH: flat head

GA: gauge

HD: heavy-duty

HF: hex flange

HH: hex head

HHF: hex head flange

HHFTF: hex head flange thread forming

HJ: hex jam

HLH: hex lag head

HOC: height-of-cut

HP: high pressure

HSBH: hex socket button head

HSFH: hex socket flat head

HSH: hex socket head

HWH: hex washer head

HWHTF: hex washer head thread forming

HYD: hydraulic

LH: left hand

LP: low pressure

LPG: Liquefied Petroleum Gas

NI: nylon insert

NPTF: national pipe thread fine

PFH: phillips flat head

PPH: phillips pan head

PPHTF: phillips pan head thread forming

PRH: phillips round head

PTH: phillips truss head

PTO: power-take-off

RH: right hand

ROPS: roll-over protection system

RRB: rear roller brush

SFH: slotted fillister head

SHH: slotted hex head

SHWH: slotted hex washer head

SPH: slotted pan head

SQH: square head

SRH: slotted round head

STD: standard

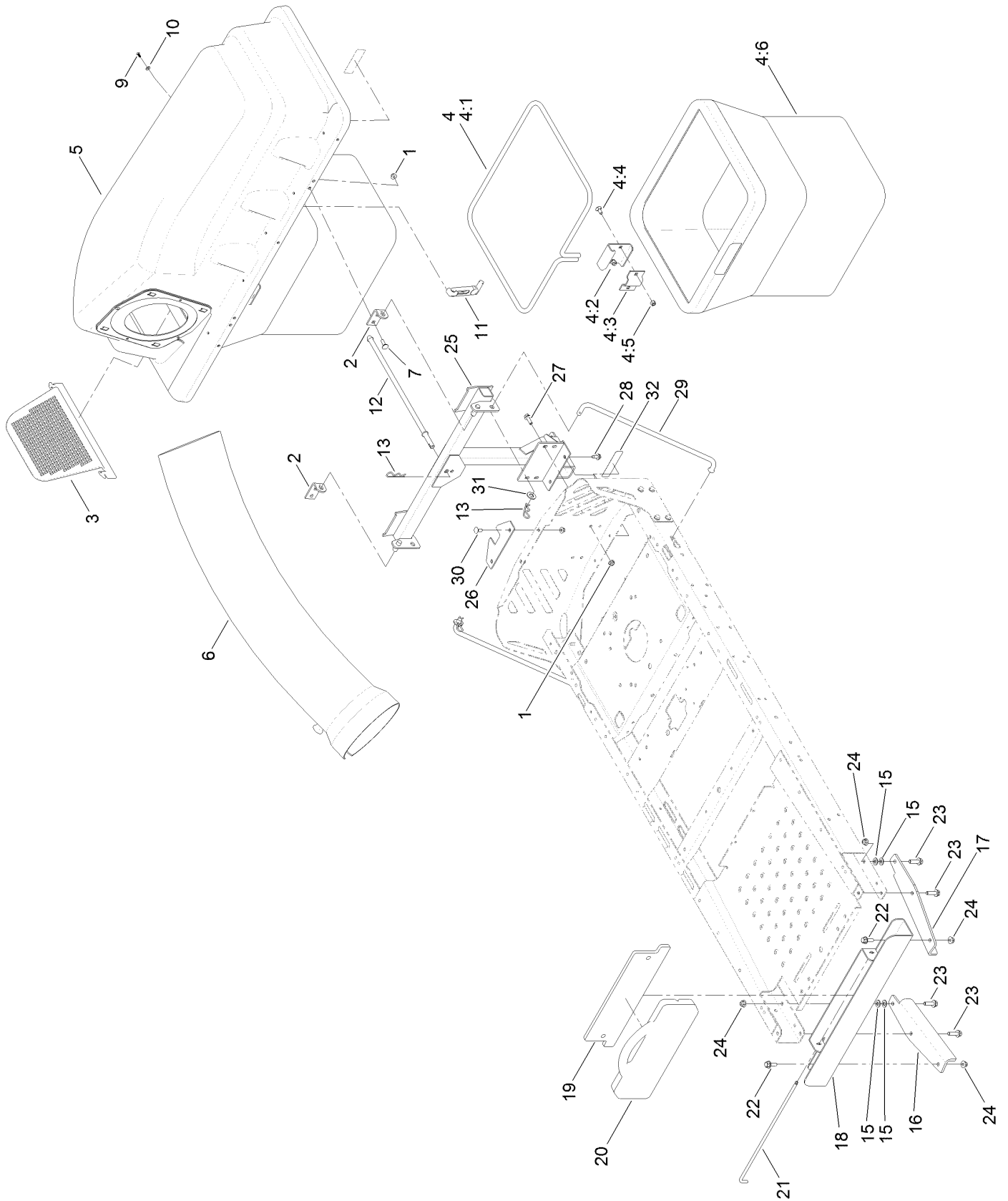
TAP: self tapping

TTH: torx truss head

Contents

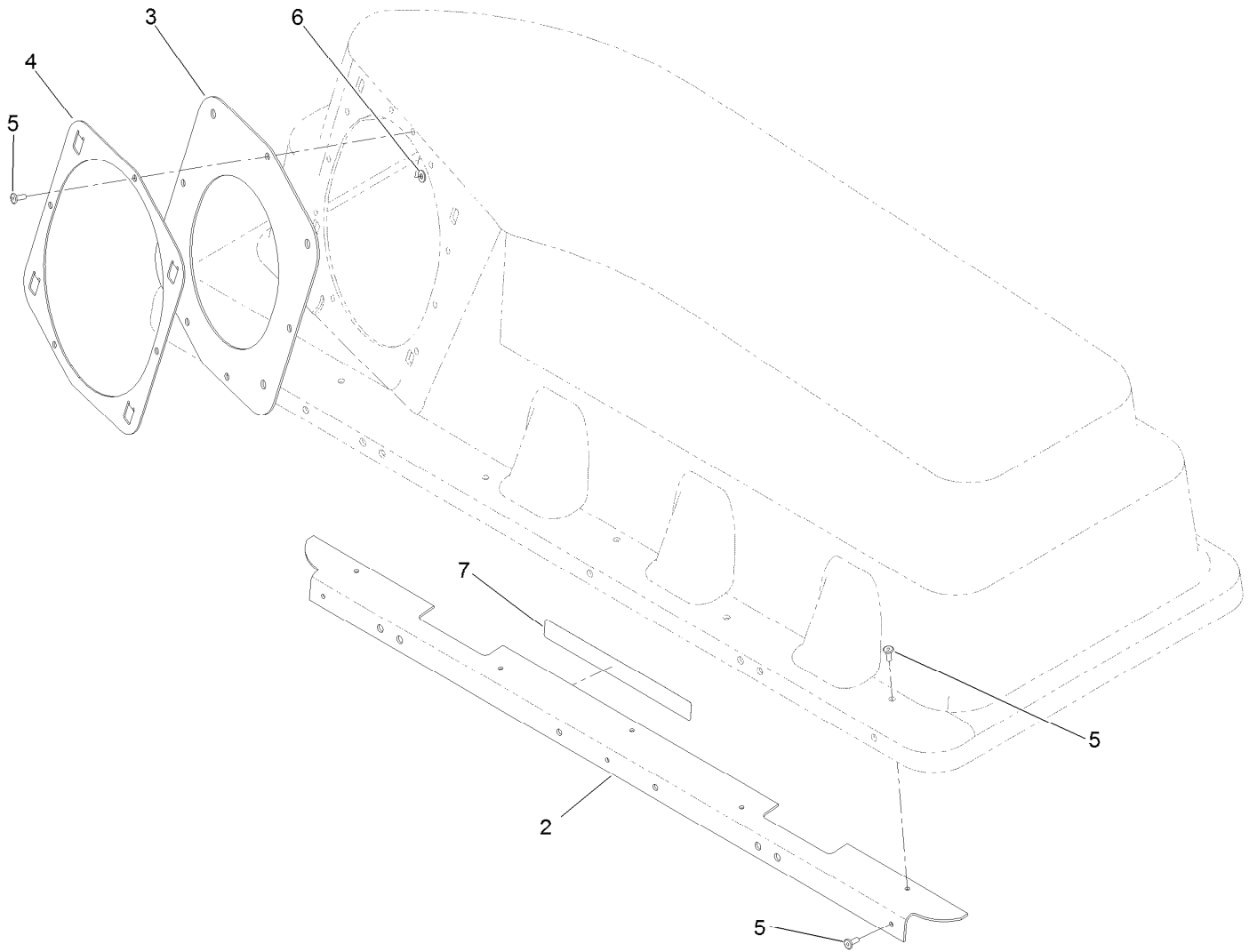
Frame and Bag Assembly.....	4
Bagger Top Assembly No. 131-8654	6
32 Inch Chute Mounting Assembly	7
32 Inch Chute Assembly No. 119-8827	8

Frame and Bag Assembly



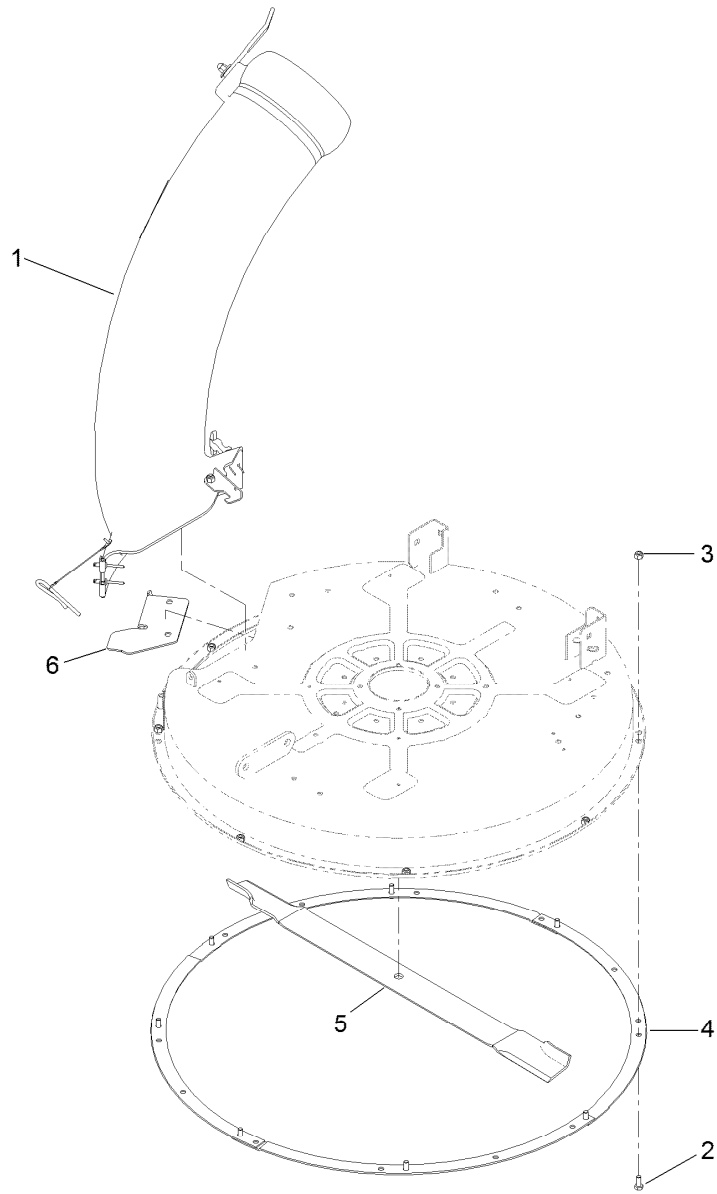
Frame and Bag Assembly (continued)

<i>Ref.</i>	<i>Part Number</i>	<i>Qty.</i>	<i>Description</i>	<i>Ref.</i>	<i>Part Number</i>	<i>Qty.</i>	<i>Description</i>
1	104-8300	8	Nut-Flange, NI	15	3256-24	4	Washer-Flat
2	112-3987	2	Bracket-Pivot, Hopper	16	120-5502-03	1	Bracket-Bagger Weight, RH
3	112-3993	1	Screen-Bagger	17	120-5497-03	1	Bracket-Bagger Weight, LH
4	112-3994	2	Bag ASM	18	120-5491-03	1	Channel-Bagger Weight
4:1	114972-03	1	Frame-Bag	19	120-5495-03	1	Plate
4:2	114973-03	1	Hanger-Bag	20	109-9742-03	1	Weight-35 Pound
4:3	114974-03	1	Clamp	21	109-9759	1	Pin-Weight
4:4	3230-1	2	Bolt-CARR	22	3234-42	2	Screw-HHF
4:5	3296-29	2	Nut-Lock, NI	23	119-4061	4	Screw-HHF
4:6	110-6674	1	Bag	24	104-8301	4	Nut-Flange, NI
5	131-8654	1	Bagger Top ASM	25	131-3969-03	1	Frame-Pivot
6	112-3995	1	Tube-Bagger	26	131-3967-03	1	Bracket-Stabilizer
7	3230-2	4	Bolt-CARR	27	3234-29	2	Screw-HHF
9	132-6919	2	Screw-Plastite	28	32144-70	2	Screw-HWHTF
10	3256-77	2	Washer-Flat	29	119-8853	2	Rod-Support
11	116-4992	1	Latch-Rubber	30	3230-1	2	Bolt-CARR
12	131-4189	1	Rod-Hood Hold Down	31	3256-26	2	Washer-Flat
13	3290-355	3	Pin-Hair	32	131-4036	1	Decal



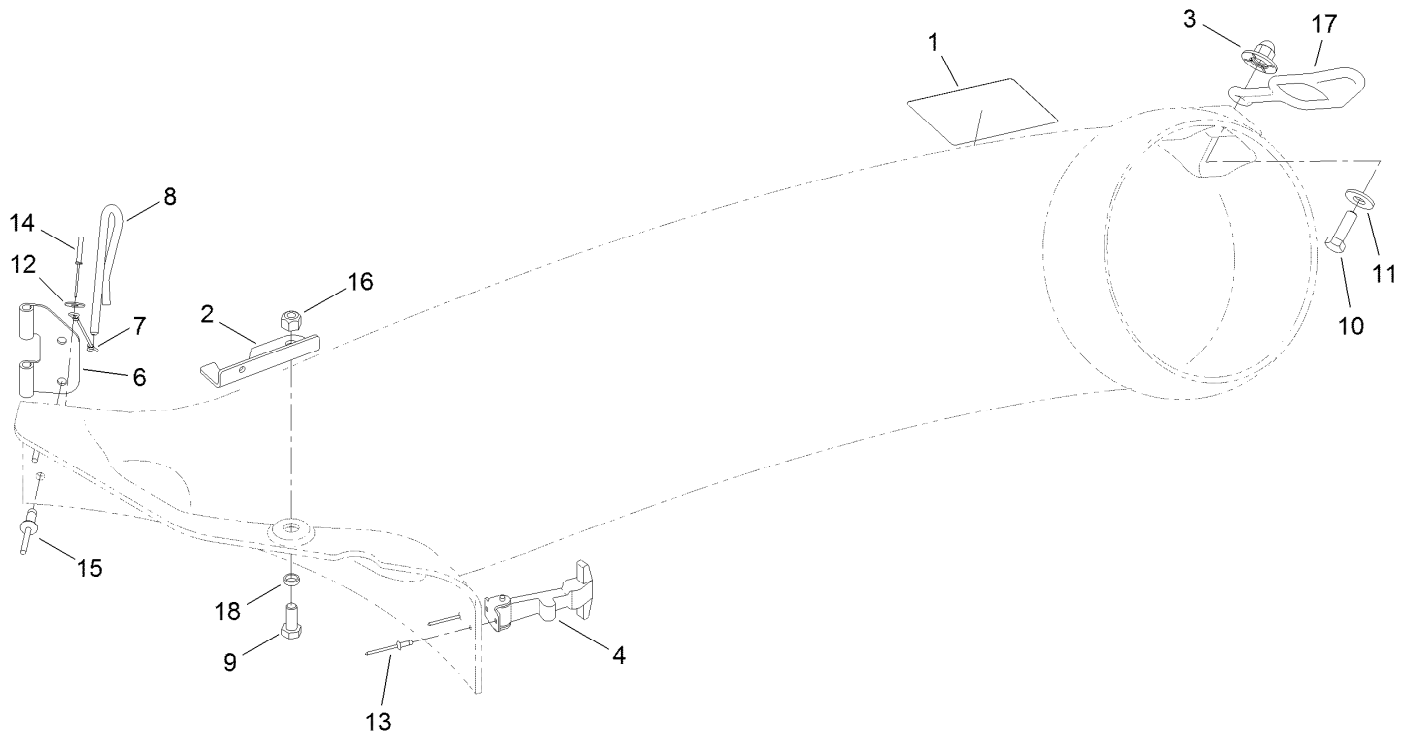
Bagger Top Assembly No. 131-8654

<i>Ref.</i>	<i>Part Number</i>	<i>Qty.</i>	<i>Description</i>
2	116-1242-03	1	Stiffener-Bagger Top
3	112-4001	1	Gasket
4	112-4000-03	1	Ring-Retainer
5	114439	12	Rivet-Pop
6	9202704	4	Washer
7	109-6809	1	Decal-Caution, Bagger



32 Inch Chute Mounting Assembly

<i>Ref.</i>	<i>Part Number</i>	<i>Qty.</i>	<i>Description</i>
1	119-8827	1	32 Inch Chute ASM
2	322-3	8	Screw-HH
3	3296-29	8	Nut-Lock, NI
4	80-4490-03	4	Ring-Deck
5	33-4750-03	1	Blade
6	120-2224-03	1	Bracket-Cutoff



32 Inch Chute Assembly No. 119-8827

<i>Ref.</i>	<i>Part Number</i>	<i>Qty.</i>	<i>Description</i>	<i>Ref.</i>	<i>Part Number</i>	<i>Qty.</i>	<i>Description</i>
1	110-6691	1	Decal-Danger	11	3256-3	1	Washer-Flat
2	120-7118	1	Latch	12	3256-49	1	Washer-Flat
3	114-9015	1	Nut-Impeller	13	3269-31	2	Rivet-Pop
4	117344	1	Handle ASM	14	3290-282	1	Rivet-Blind
6	119-8971	1	Bracket-Chute Mounting	15	3290-412	2	Rivet
7	28-8070	1	Lanyard	16	3296-29	1	Nut-Lock, NI
8	28-8130	1	Pin-Locking, Chute	17	82-5690	1	Retainer-Duct
9	322-3	1	Screw-HH	18	93-8013	1	Bushing
10	322-5	1	Screw-HH				

Notes:

Notes:

Notes:

