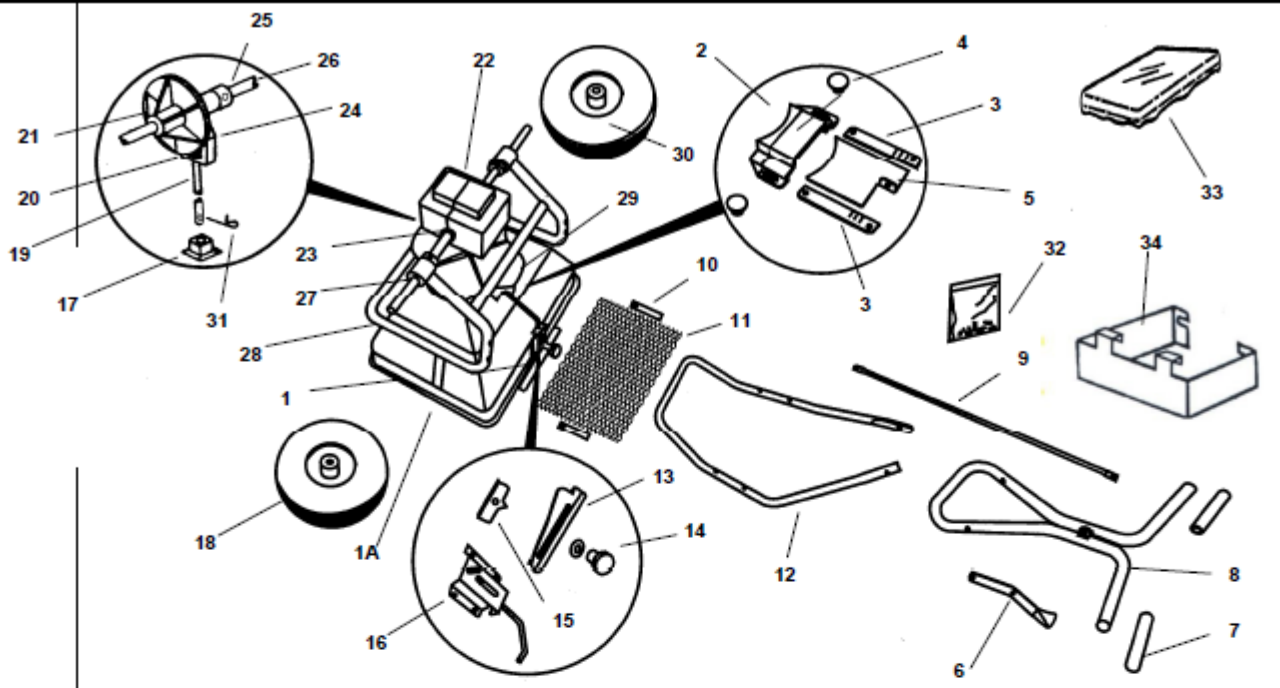


# Parts List For Model 38140



PART OF OUR SERVICE IS PROVIDING REPLACEMENT PARTS. Parts may be obtained through your local distributor. Be sure to give:



**Meyer Products, Inc.**

1. SPREADER MODEL NUMBER
2. SPREADER NAME
3. PART NUMBER
4. NAME OF PART AS SHOWN

IF YOUR LOCAL DISTRIBUTOR CANNOT SUPPLY PARTS, CONTACT:

18513 Euclid Ave  
Cleveland, Ohio 44112  
216-486-1313 [www.meyerproducts.com](http://www.meyerproducts.com)

No.	Description	Part No.	No.	Description	Part No.
1	Hopper Assembly	PSB15474	18	Drive Wheel	PSB15950
1A	Hopper*	PSB15476	19	Impeller Shaft	PSB15641
2	Discharge Chute	PSB15477	20	Pinion Gear	PSB14833
3	Plate Guides *	PSB15478	21	Axle Gear	PSB14832
4	Discharge Chute Knob (2)	PSB14001	22	Gear Cover (2)	PSB15753
5	Shutoff Plate*	PSB13353	23	Gear Cover Clamps (3)	PSB14868-1
6	Handle Lever Ass'y	PSB15513	24	Gear Support	PSB14834
7	Handle Grip (2)	PSB14870	25	Axle Collar w/ Set Scr.	PSB14971-1
8	Upper Handle	PSB15498	26	Axle	PSB15518
9	Control Tube	PSB14916	27	Axle Bearing (4)	PSB14855
10	Screen Clips (2)	PSB14022	28	Frame Assembly	PSB15502
11	Hopper Screen	PSB14603	29	Impeller	PSB15459
12	Handle Brace/Leg	PSB15508	30	Free Wheel	PSB15951
13	Rate Plate*	PSB15481	31	Agitator	PSB14510
14	Rate Control Knob*	PSB12704	32	Fastener Package	PSB15977
15	Pointer*	PSB12708	33	Hopper Cover	PSB14606-1
16	Spring Housing Assembly*	PSB15527	34	Deflector Shield	PSB15972
17	Impeller Shaft Bearing*	PSB14312-1			

\*Parts included in hopper assembly