

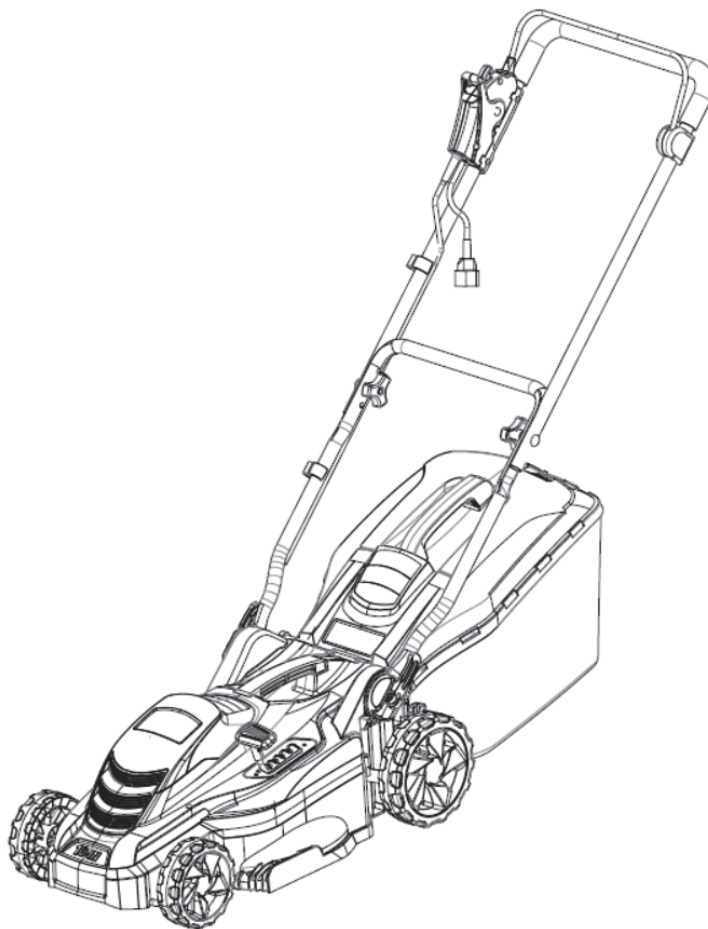


OWNER'S MANUAL

16 in. ELECTRIC LAWN MOWER

Copyright. All Rights Reserved.

Model 50616



Your lawn mower has been engineered and manufactured to our high standard for dependability, ease of operation, and operator safety. Properly cared for, it will give you years of rugged, trouble-free performance.

WARNING: To reduce the risk of injury, the user must read and understand the owner's manual before using this product.

Thank you for your purchase.

DO NOT RETURN THIS PRODUCT TO THE STORE. OPERATING, ASSEMBLY, PARTS, SERVICE QUESTIONS? GO TO WWW.AMERICANLAWNMOWER.COM OR CALL 1-800-633-1501 BETWEEN 8:00 AM—5:00 PM EST FOR ASSISTANCE.

SAVE THIS MANUAL FOR FUTURE REFERENCE

TABLE OF CONTENTS

- Introduction.....2
- Important Safety Instructions.....3-5
- Symbols..... 5-6
- Features..... 6-7
- Assembly.....7-9
- Operation.....9-11
- Maintenance.....11-13
- Troubleshooting.....14
- Parts and Service.....15
- Warranty.....Back Page

INTRODUCTION

This product has many features for making its use more pleasant and enjoyable. Safety, performance, and dependability have been given top priority in the design of this product making it easy to maintain and operate.

SERVICE:

Servicing requires extreme care and knowledge and should be performed only by a qualified service technician. For service we suggest you return the product to your nearest **AUTHORIZED SERVICE CENTER** for repair. When servicing, use only identical replacement parts.



WARNING:

To avoid serious injury, do not attempt to use this product until you read thoroughly and understand completely the owner's manual. If you do not understand the warnings and instructions in the owner's manual, do not use this product. Call Earthwise customer service for assistance.



WARNING:



The operation of any power tool can result in foreign objects being thrown into your eyes, which can result in severe eye damage. Before beginning power tool operation, always wear safety goggles or safety glasses with side shields and, when needed, a full face shield. We recommend Wide Vision Safety Mask for use over eyeglasses or standard safety glasses with side shields. Always use eye protection which is marked to comply with ANSI Z87.1.

CALL US FIRST

For any questions about operating or maintaining your product, call the Earthwise™ Help Line! 1-800-633-1501. Your product has been fully tested prior to shipment to ensure your complete satisfaction.

SAVE THESE INSTRUCTIONS

IMPORTANT SAFETY INSTRUCTIONS



WARNING:

READ AND UNDERSTAND ALL INSTRUCTIONS

Failure to follow all instructions listed below and on the machine may result in electric shock, fire, and/or serious personal injury.

READ ALL INSTRUCTIONS

- This lawn mower is capable of amputating hands and feet and throwing objects. Failure to observe all safety instructions could result in serious injury or death.
- Avoid Dangerous Environment - Do not use the lawn mower in damp or wet conditions or operate in the rain.
- Only allow responsible adults, who are familiar with the instructions, to operate this machine.
- Keep the area clear of all bystanders, children, and pets while mowing. Stop machine if anyone enters the area.
- Tragic accidents can occur if the operator is not alert to the presence of children. Children are often attracted to the machine and the mowing activity. Never assume that children will remain where you last saw them.
 - * Keep children out of the mowing area and under the watchful care of a responsible adult other than the operator.
 - * Be alert and turn mower off if a child enters the area.
 - * Never allow children to operate the lawn mower.
 - * Use extra care when approaching blind corners, shrubs, trees, or other objects that may block your view of a child.
- Dress properly - Do not wear loose clothing or jewelry. They can be caught in moving parts. Use of rubber gloves and footwear is recommended when working outdoors.
- Don't over reach - Keep firm footing and balance. Do not overreach. Over-reaching can result in loss of balance.
- Do not operate the equipment with barefoot or when wearing sandals or similar lightweight footwear. Wear protective footwear that will protect your feet and improve your footing on slippery surfaces.
- Do not leave the mower unattended while running.
- Keep hands and feet away from cutting area. Keep clear of the discharge opening at all times.
- Operate the lawn mower only in daylight or good artificial light.
- Use safety glasses - Always wear safety glasses with side shields. Everyday glasses have only impact resistant lenses. They are NOT safety glasses. Following this rule will reduce the risk of eye injury. Use face mask if environment is dusty.
- Wear safety glasses or goggles that are marked to comply with ANSI Z87.1 standard when operating this product.
- Use the right appliance - Do not use the lawn mower for any job except that for which it is intended.
- Do not force the lawn mower - It will do the job better and safer at the rate for which it was designed.
- Stay alert - Watch what you are doing, and use common sense when operating the lawn mower. Do not operate the mower while tired or under the influence of drugs, alcohol, or medication. A moment of inattention while operating the lawn mower may result in serious personal injury.
- Maintain lawn mower with care - Keep machine in good working condition. Keep blades sharp and guards in place and in working order.
- Check all nuts, bolts, and screws at frequent intervals for proper tightness to be sure the equipment is in safe working condition.
- Stop the motor, wait until the blade comes to a complete stop, and disconnect from power supply before cleaning the lawn mower, removing the grass catcher, or removing the mulching plug. Never use a hose, water, or any liquids to clean the lawn mower, as water can damage electronic components. Remove any buildup of grass and leaves on or around the motor cover. Wipe the mower clean with a dry cloth occasionally.
- Replace blade if it is bent or cracked. An unbalanced blade causes vibration that could damage the motor drive unit or cause personal injury. Sharpen a dull blade equally at each end to maintain the balance. Clean the blade thoroughly and check its balance by supporting it horizontally on a thin nail through its center hole. The nail should be in a horizontal position. If either end of the blade rotates downward, remove some metal from the heavy or lower end until the blade is balanced. It is balanced when neither end drops.
- When not in use, mower should be stored indoors in a dry, locked up place—out of reach of children. The extension cord should also be removed and stored in a separate location out of the reach of children.
- Always use safety protective devices. Do not operate the mower without the entire grass catcher discharge guard, rear guard, or other safety protective devices in place and working properly.
- Follow manufacturer's instructions for proper operation and installation of accessories. Only use accessories approved by the manufacturer.
- To reduce the risk of electric shock, this appliance has a polarized plug (one blade is wider than the other) and will require the use of a polarized extension cord. The appliance plug will fit into a polarized extension cord only one way. If the plug does not fit fully into the extension cord, reverse the plug. If the plug still does not fit, obtain a correct polarized extension cord. A polarized extension cord will require the use of a polarized wall outlet. This plug will fit into the polarized wall outlet only one way. If the plug does not fit fully into the wall outlet, reverse the plug. If the plug still does not fit, contact a qualified electrician to install the proper wall outlet. Do not change the equipment plug, extension cord receptacle, or extension cord plug in any way.
- Ground Fault Circuit Interrupter (GFCI) protection should be provided on the circuit(s) or outlet(s) to be used for the lawn mower. Receptacles are available having built-in GFCI protection and may be used for this measure of safety.
- Inspect lawn mower cord periodically and if damaged, have it repaired by an authorized service facility. Inspect extension cords periodically and replace if damaged. Keep handles dry, clean, and free from oil and grease.
- Warning — To prevent electric shock use only with an extension cord suitable for outdoor use, such as SW, SOW, STW, STOW, SJW, SJOW, SJTW, or SJTOW.
- Extension Cord - Make sure your extension cord set is in good condition. When using an extension cord, be sure to use one heavy enough to carry the current your product will draw. For lengths less than 50 feet, No. 14 AWG extension cord should be used. An undersized cord will cause a drop in line voltage resulting in loss of power and overheating. To reduce the likelihood of disconnection of lawn mower cord from the cord set during operating use the cord retainer described in this manual.
- Under normal usage the catcher assembly is subject to deterioration and wear and should, therefore, be frequently checked for replacement. Only use identical replacement catcher assemblies.
- Don't Abuse Cord — Never pull lawn mower by cord or yank it to disconnect from receptacle. Keep cord from heat, oil, and sharp edges.
- Risk of death or serious personal injury if power lines or electric cords are contacted. Never operate mower over electrical sources, cords, or wires.
- Clear the work area before each use. Remove all objects such as rocks, tree nuts, sticks, metal, wire, bones, toys, or other objects which can be thrown by the blade. Stay behind the handle when the motor is running.

IMPORTANT SAFETY INSTRUCTIONS

- Avoid holes, ruts, bumps, rocks, property stakes, or other hidden objects. Uneven terrain could cause a slip and fall accident.
- Do not mow near drop-offs, ditches, or embankments.
- Mow across the face of slopes, never up and down. Exercise extreme caution when changing direction on slopes.
- Plan your mowing pattern to avoid discharge of material toward roads, sidewalks, bystanders and the like. Also, avoid discharging material against a wall or obstruction, which may cause the material to ricochet back toward the operator.
- Do not mow on wet grass or excessively steep slopes. Poor footing could cause a slip and fall accident. Walk, never run.
- Use extra care when approaching blind corners, shrubs, trees, or other objects that may block your view.
- Do not pull the mower backward unless absolutely necessary if you must back the mower away from a wall or obstruction first look down and behind to avoid tripping.
- Never direct discharged material toward anyone, Avoid discharging material towards a wall or obstruction, Material may ricochet back toward the operator. Stop the blade when crossing gravel surfaces.
- Objects struck by the lawn mower blade can cause severe injuries to persons. The lawn should always be carefully examined and cleared of all objects prior to each mowing.
- If the lawn mower strikes a foreign object, follow these steps:
 - * Stop the lawn mower by releasing the blade control lever, wait until the blade comes to a complete stop, and disconnect extension cord from power supply.
 - * Thoroughly inspect the mower for any damage.
 - * Replace the blade if it is damaged in any way. Repair any damage before restarting and continuing to operate the mower.
- Stop the motor, remove the switch key, and wait until the blade comes to a complete stop before unclogging the chute. The cutting blade continues to rotate for a few seconds after the motor is shut off. Never place any part of the body in the blade area until you are sure the blade has stopped rotating.
- If the mower should start to vibrate abnormally, stop the motor and check immediately for the cause. Vibration is generally a warning of trouble.
- Service on the product must be performed by qualified repair personnel only. Service or maintenance performed by unqualified personnel could result in injury to the user or damage to the product.
- Use only authorized replacement parts when servicing the product. Use identical replacement blades only. Use of unauthorized parts may create a risk of serious injury to the user or damage to the product.
- Maintain or replace safety instructions labels, as necessary.
- Disconnect from power supply — Disconnect extension cord from power supply before storing, servicing, or changing accessories such as blades. Such preventive safety measures reduce the risk of starting the tool accidentally.
- Stop the unit and disconnect the extension cord from power supply when not in use. Carry or push the unit with the motor stopped and the extension cord disconnected from the power supply.
- Store idle lawn mower indoors — When not in use, mower should be stored indoors in a dry, locked place out of the reach of children. The extension cord should also be removed and stored in a separate location out of the reach of children.
- Follow instructions for lubricating and changing accessories.
- Keep guards in place and in working order.
- Keep blades sharp.
- Keep hands and feet away from cutting area.
- Only allow responsible adults, who are familiar with the instructions, to operate this machine.
- Never operate machine in a closed area.
- Never tamper with safety devices. Check for proper operation regularly.
- Save these instructions. Refer to them frequently and use them to instruct others who may use this product. If you loan someone this tool, loan them these instructions also.

GENERAL SAFETY

DOUBLE INSULATION – The mower has double insulation. This means that all external metal parts are insulated from the electrical supply. This is achieved by introducing an insulation layer between electrical and mechanical parts. The double insulation guarantees you the greatest possible safety.



WARNING:

The double insulated system is intended to protect the user from shock resulting from a break in the tool's internal insulation. Observe all normal safety precautions to avoid electrical shock.

GROUND FAULT CIRCUIT INTERRUPTER (GFCI) protection should be provided on the circuit or outlet to be used for the mower. Receptacles are available having built-in GFCI protection and may be used.

EXTENSION CORD. Make sure your extension cord is in good condition. When using an extension cord be sure it is heavy enough to carry the current your product will draw. An undersized extension cord will cause a drop in line voltage resulting in loss of power and overheating. The following table shows the correct size to use depending on cord length and nameplate ampere rating. If in doubt, use the next heavier gage. The smaller the gage number, the heavier the cord.

WARNING: Use outdoor extension cords marked SW-A, SOW-A, STW-A, STOW-A, SJW-A, SJTW-A, or SJTOWA. These cords are rated for outdoor use and reduce the risk of electric shock.

Volts	Minimum Gage for Cord Sets			
	Total Length of cord in Feet			
120V	0-25	26-50	51-100	101-150
Ampere Rating		American wire Gage		
More Than	Not More Than			
0	- 6	18	16	14
6	- 10	18	16	12
10	- 12	16	16	12
12	- 16	14	12	Not Recommended

It is possible to tie the extension cord and power cord in a knot to prevent them from becoming disconnected during use. Make the knot as shown, then connect the plug end of the power cord into the receptacle end of the extension cord. This method can also be used to tie two extension cords together.



WARNING:

Keep the extension cord clear of the working area. Position the cord so that it will not get caught on lumber, tools, or other obstructions while you are working with a power tool. Failure to do so can result in serious personal injury.

Check extension cords before each use. If damaged replace immediately. Never use product with a damaged cord since touching the damaged area could cause electrical shock resulting in serious injury.

GENERAL SAFETY

⚠ WARNING: California Proposition 65:
This product contains chemicals known to the State of California to cause cancer, birth defects or other reproductive harm.

⚠ WARNING: Some dust and debris created by the use of this tool could contain chemicals known to the State of California to cause cancer and birth defects or other reproductive harm. Some examples of these chemicals are:




- * Chemicals in fertilizers
- * Compounds in insecticides, herbicides and pesticides
- * Arsenic and chromium from chemically treated lumber

Your risk from exposure to these chemicals varies, depending on how often you do this type of work. To reduce your exposure, work in a well-ventilated area and with approved safety equipment, such as dust masks that are specially designed to filter out microscopic particles.











⚠ WARNING: Cancer and Reproductive Harm – www.P65Warnings.ca.gov.

SYMBOLS

The following signal words and meanings are intended to explain the levels of risk associated with this product.




SYMBOL	SIGNAL	MEANING
	DANGER	Indicates an imminently hazardous situation, which, if not avoided, will result in death or serious injury.
	WARNING	Indicates a potentially hazardous situation, which, if not avoided, could result in death or serious injury.
	CAUTION	Indicates a potentially hazardous situation, which, if not avoided, may result in minor or moderate injury.
	NOTICE	(Without Safety Alert Symbol) Indicates a situation that may result in property damage.

Some of the following symbols may be used on this product. Please study them and learn their meaning. Proper interpretation of these symbols will allow you to operate the product better and safer.

SYMBOL	NAME	DESIGNATION/EXPLANATION
	Safety Alert	Indicates a potential personal injury hazard.
	Read Owner's Manual	To reduce the risk of injury, user must read and understand owner's manual before using this product.
	Eye Protection	Always wear eye protection with side shields marked to comply with ANSI Z87.1
	Do Not Mow Over Electric Cords	Risk of death or serious personal injury if power lines or electric cords are contacted. Never operate mower over electrical sources, cords, or wires.
	Wet Conditions Alert	Do not expose to rain or use in damp locations.
	Electric Shock	Failure to use in dry conditions and to observe safe practices can result in electric shock
	Keep Hands and Feet Away	Keep hands and feet away from blade and cutting area.
	No Reach	Do not reach hands or feet under mower deck.
	No Slope	Do not operate on inclines greater than 15°. Mow across the face of slopes, never up and down.
	Keep Children and Bystanders Away	Keep all children and bystanders at least 100 ft. away.

SYMBOLS

Some of the following symbols may be used on this product. Please study them and learn their meaning. Proper interpretation of these symbols will allow you to operate the product better and safer.

SYMBOL	NAME	DESIGNATION/EXPLANATION
	Ricochet	Thrown objects can ricochet and result in personal injury or property damage.
V	Volts	Voltage
A	Amperes	Current
Hz	Hertz	Frequency (cycles per second)
W	Watt	Power
hrs	Hours	Time
	Alternating Current	Type of Current
	Class II Tool	Double-insulated construction

FEATURES

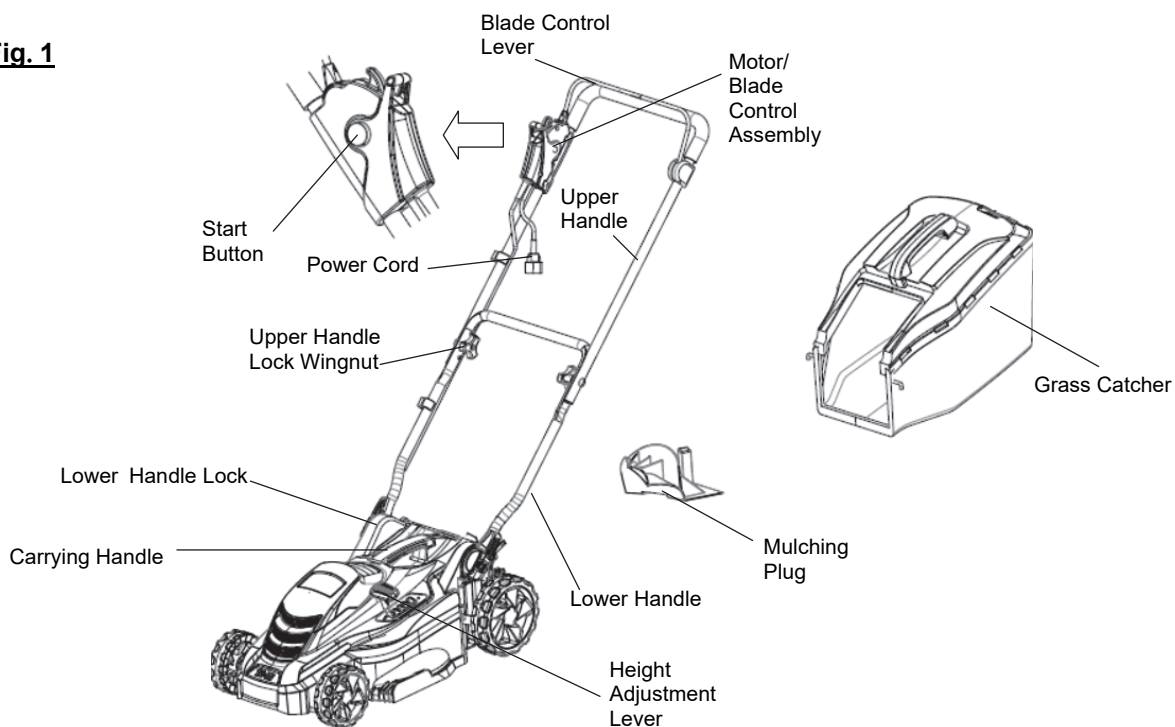
PRODUCT SPECIFICATIONS

Model 50616

Motor.....120V, AC only, 60Hz, 12 Amps
 Cutting Path.....16 in.

Height Adjustments.....1 2/5 in. to 3 1/3 in.
 Wheel Size..... 5 1/2 in. front, 7 in. rear

Fig. 1



FEATURES

KNOW YOUR LAWN MOWER

See figure 1

The safe use of this product requires an understanding of the information on the product and in this owner's manual as well as a knowledge of the project you are attempting. Before use of this product, familiarize yourself with all operating features and safety rules.

ADJUSTABLE HANDLE HEIGHT

The handle features three different height adjustments.

CARRYING HANDLE

The lawn mower has a carrying handle for easy transport.

CORD RETAINER

A convenient cord retainer helps keep the extension cord connection secure during AC operation.

GRASS CATCHER

The grass catcher prevents grass clippings from being strewn across your lawn as you mow.

HEIGHT ADJUSTMENT LEVER

The height adjustment lever provides cutting height adjustments.

MOTOR/BLADE CONTROL ASSEMBLY

The motor/blade control, located on the upper handle of the mower, engages and disengages the motor and blade.

MULCHING PLUG

Your mower is equipped with a mulching plug that covers the rear discharge opening, which allows the mower blade to cut and re-cut for finer clippings.

ASSEMBLY

UNPACKING

This product requires assembly.

- Carefully remove the product and any accessories from the box. Make sure that all items listed in the packing list are included.

▲ WARNING:

Do not use this product if any parts on the Packing List are already assembled to your product when you unpack it. Parts on this list are not assembled to the product by the manufacturer and require customer installation. Use of a product that may have been improperly assembled could result in serious personal injury.

- Inspect the product carefully to make sure no breakage or damage occurred during shipping.
- Do not discard the packing material until you have carefully inspected and satisfactorily operated the product.
- If any parts are damaged or missing, please call 1-800-633-1501 for assistance.

▲ WARNING:

If any parts are damaged or missing do not operate this product until the parts are replaced. Failure to heed this warning could result in serious personal injury.

▲ WARNING:

Do not attempt to modify this product or create accessories not recommended for use with this product. Any such alteration or modification is misuse and could result in a hazardous condition leading to possible serious personal injury.

▲ WARNING:

Do not connect to power supply until assembly is complete and you are ready to mow. Failure to comply could result in accidental starting and possible serious injury.

▲ WARNING:

To prevent accidental starting, do not make any adjustments or installations with the power supply connected. Accidental starting of the mower during assembly could result in serious personal injury.

▲ WARNING:

Never operate the mower without the proper safety devices in place and working. Never operate the mower with damaged safety devices. Operating the mower with missing or damaged parts can result in serious personal injury.

PACKING LIST

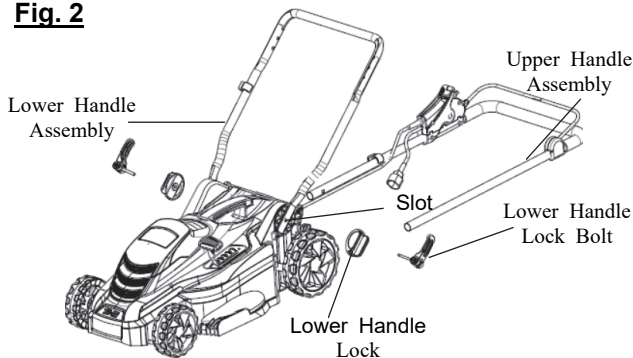
Description	Quantity
Lawn Mower	1
Upper Handle Assembly	1
Lower Handle	1
Grass Catcher	1
Mulching Plug	1
Lower Handle Locks	2
Lower Handle Lock Bolts	2
Upper Handle Wingnuts	2
Upper Handle Lock Bolts	2
Owner's Manual	1

ASSEMBLY

INSTALLING AND ADJUSTING HANDLE ASSEMBLY

See Figures 2 - 3

Fig. 2



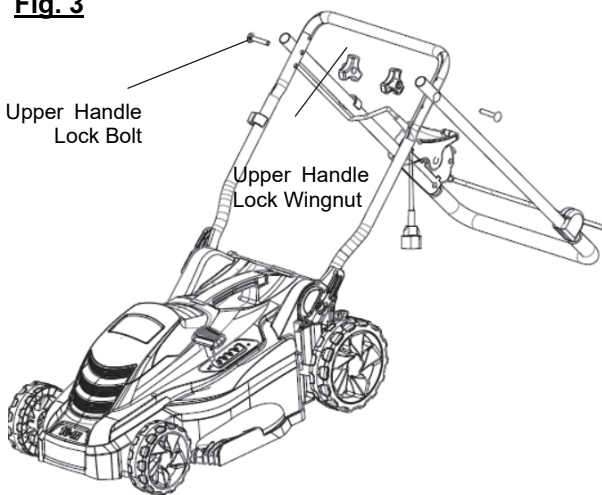
To install lower handle:

- Locate the lower handle locks and handle lock bolts.
- Place the upper handle assembly behind the mower as shown.
- Align the lower handle with the slot on the motor housing.

NOTE: Make sure the power cord is located inside and on top of the handle.

- Insert the lower handle lock bolt through the lower handle lock and thread into the mower housing until the lower handle lock is approximately 1/4 in. from the mower housing.
- To secure the lower handle in place, close the lower handle lock.
- Repeat for the other side.

Fig. 3



To install upper handle assembly:

- Position the upper handle assembly over the lower handle as shown in Fig. 3, then insert the upper handle lock bolt through the holes in both handles.

NOTE: The lower handle has three hole settings for height adjustment. Make sure you use the same height setting for each side.

- Thread the upper handle lock wingnut onto the lock bolt.
- Repeat for other side.
- Pull up on the upper handle to raise it into operating position. Make sure that the upper handle is seated in the grooves at the top of the lower handle.

- To secure the upper handle in place, tighten the upper handle wingnuts. Avoid pinching or trapping any power cords.

NOTE: If the upper handle is loose or separated from the lower handle, tighten the wingnuts on the upper handle locks by turning them clockwise.

⚠ DANGER:

Do not allow any part of the power cord on the mower or extension cord to become pinched or trapped when assembling or raising the handles. A pinched live power cord can cause the handles to become electrically energized. Contact with electrically live conductive parts will result in death by electrocution, electric shock, and/or serious personal injury.

To lower the handle assembly:

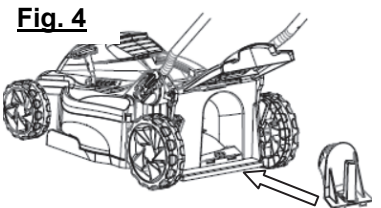
- Loosen the upper handle lock wingnuts.
- NOTE:** Loosen the wingnuts on the upper handle by turning them counterclockwise.
- Lower the upper handle. Avoid pinching or trapping any power cords.
- Release the lower handle lock.
- Push outward on each side of the lower handle until it is free from the slot. Then, fold the handle to the front of the unit. Avoid pinching or trapping any power cords.

INSTALLING THE MULCHING PLUG (Fig. 4)

(For Mulching Operation)

NOTE: When using the mulching plug, do not install the grass catcher.

- Disconnect power supply.
- Lift and hold the rear discharge door.
- Grasp the mulching plug by its handle and insert it at a slight angle, as shown.
- Push the mulching plug securely into place.
- Lower rear discharge door.
- Connect to power supply when you are ready to mow.

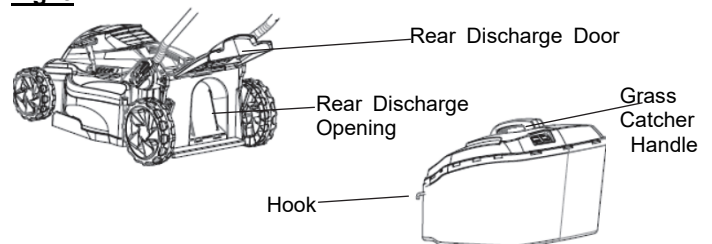


INSTALLING THE GRASS CATCHER

(For Rear Bagging Operation)

See figure 5-6

Fig. 5



ASSEMBLY

NOTE: When using the grass catcher, do not install the mulching plug.

- Disconnect power supply.
- Lift the rear discharge door.
- Lift the grass catcher by its handle and place under the rear discharge door so that the hooks on the grass catcher are seated onto the slots on the mower housing.
- Release the rear discharge door.
- Connect to power supply when you are ready to mow.

SETTING BLADE HEIGHT

See Figure 7

When shipped, the wheels on the mower are set to a low-cutting position. Before using the mower for the first time, raise the cutting position to the height best suited for your lawn. The average lawn should be between 1-1/2 in. to 2 in. during cool months and 2 in. or higher during hot months.

To adjust the blade height:

- Disconnect power supply.
- To raise the blade height, press inward on the height adjustment lever and move it toward the back of the mower. A is the highest blade setting.
- To lower the blade height, press inward on the height adjustment lever and move it toward the front of the mower. B is the lowest blade setting.
- Connect to power supply when you are ready to mow.

Fig. 6

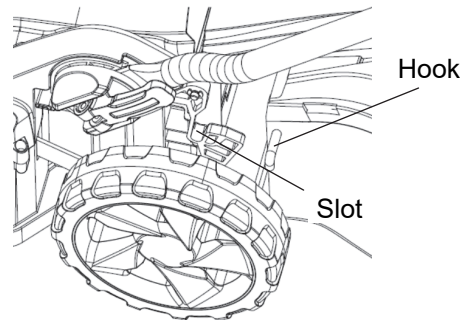
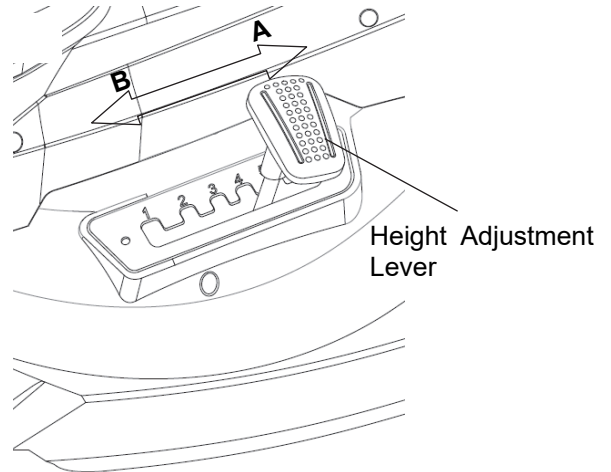


Fig. 7



OPERATION

⚠ DANGER:

Risk of death by electrocution or electric shock or serious personal injury if power lines or electric cords are contacted. Never operate mower over electrical sources, cords or wires.

⚠ WARNING:

Do not allow familiarity with this type of product to make you careless. Remember that a careless fraction of a second is sufficient to inflict serious injury.

⚠ WARNING:

Always wear eye protection with side shields marked to comply with ANSI Z87.1. Failure to do so could result in objects being thrown into your eyes, resulting in possible serious injury.

⚠ WARNING:

Do not use any attachments or accessories not recommended by the manufacturer of this product. The use of attachments or accessories not recommended can result in serious personal injury.

⚠ WARNING:

Always inspect mower for missing or damaged parts and blade for damage, uneven, or excessive wear prior to use. Use of the mower with damaged or missing parts can result in serious personal injury.

⚠ WARNING:

Always disconnect from power supply when you are assembling parts, making adjustments, cleaning, or when not in use. Following these instructions will prevent accidental starting that could cause serious personal injury.

APPLICATIONS:

You may use this product for the purpose listed below:

- Mowing your lawn.

⚠ WARNING:

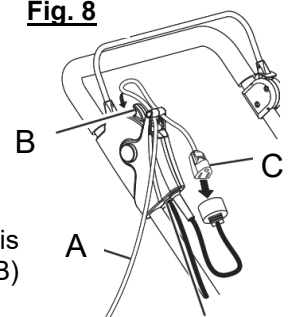
To avoid accidental starting that could result in serious personal injury, always disconnect from power supply when moving or transporting the mower.

INSTALLING / REMOVING EXTENSION CORD

See Figure 8

- Insert the female end (C) of the extension cord (A) into the product as shown.
- Connect the male end of the extension cord to the power source.
- Make sure the extension cord is secured on the cord retainer (B) before beginning operation.

Fig. 8



OPERATION

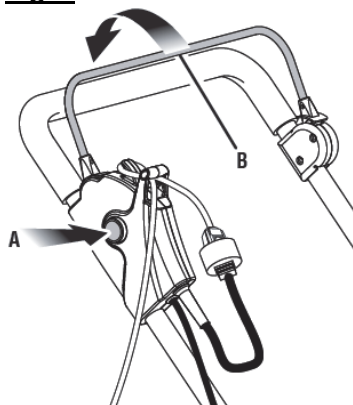
NOTICE:

Always use cord retainer to properly attach extension cord to lawn mower. Failure to use cord retainer may result in damage to lawn mower and/or extension cord.

STARTING/STOPPING THE MOWER

See figure 9

Fig. 9



- Connect to power supply.
- Press and hold the start button (A). Pull the blade control lever (B) toward the handle and release the button to start the mower.
- To stop the mower, release the blade control lever (B).

MOWING TIPS

- Make sure the lawn is clear of stones, sticks, wires and other objects that could damage the lawn mower blades or motor. Such objects could be accidentally thrown by the mower in any direction and cause serious personal injury to the operator and others.
- For a healthy lawn, always cut off one-third or less of the total length of the grass.
- When cutting heavy grass, reduce walking speed to allow for more effective cutting and a proper discharge of the clippings.
- Do not cut wet grass. It will stick to the underside of the deck and prevent proper mulching of grass clippings.
- New or thick grass may require a narrower cut.
- Clean the underside of the mower deck after each use to remove grass clippings, leaves, dirt and any other accumulated debris.

NOTE: Always stop mower, allow blades to completely stop, and disconnect power supply before cleaning underneath the mower.

SLOPE OPERATION

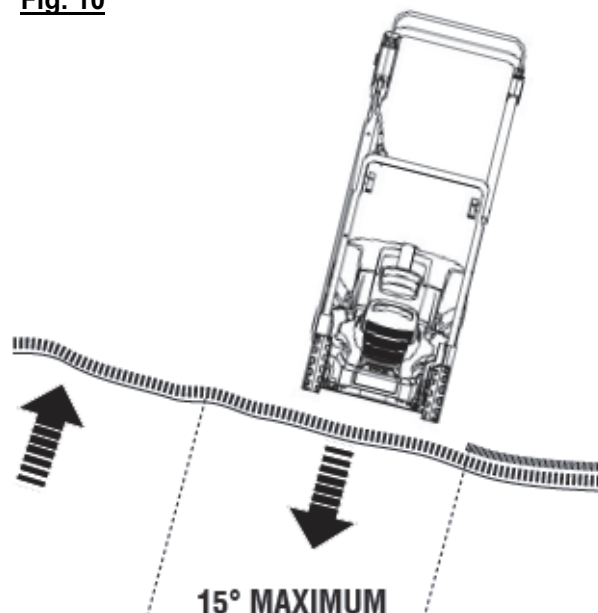
See figure 10

WARNING:

Slopes are a major factor related to slip and fall accidents that can result in severe injury. Operation on slopes requires extra caution. If you feel uneasy on a slope, do not mow it. For your safety, do not attempt to mow slopes greater than 15 degrees.

- Mow across the face of slopes, not up and down. Exercise extreme caution when changing direction on slopes.
- Watch for holes, ruts, rocks, hidden objects, or bumps which can cause you to slip or trip. Tall grass can hide obstacles. Remove all objects such as rocks, tree limbs, etc., which could be tripped over or thrown by the blade.
- Always be sure of your footing. A slip and fall can cause serious personal injury. If you feel you are losing your balance, release the switch control bail wire immediately.
- Do not mow near drop-offs, ditches, or embankments; you could lose your footing or balance.

Fig. 10



OPERATION

MOWING TIPS

NOTE: Inspect the area where the mower is to be used, and remove all stones, sticks, wire, bones, and other debris that might be thrown by the rotating blade.

- Release the blade control lever to turn the mower OFF when crossing any graveled area (stones can be thrown by the blade).
- Set mower to the highest cutting height when mowing on uneven ground or in tall weeds.
- Walk at a steady pace. Overlap the cutting rows. Do not let the grass get too tall. If the grass gets too long, start at the highest cutting position and work down to the desired cutting height.

WARNING:

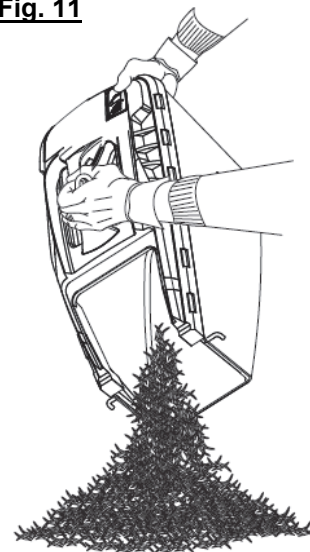
If you strike a foreign object, stop the motor. Thoroughly inspect the mower for any damage. Repair any damage before operating the mower. Excessive vibration of the mower during operation is an indication of damage. Thoroughly inspect the mower and repair any damage before operating the mower.

EMPTYING THE GRASS CATCHER

See figure 11

- Stop mower and allow blades to completely stop.
- Disconnect power supply.
- Lift the rear discharge door.
- Lift the grass catcher by its handle to remove from mower.
- Empty grass clippings.
- Lift the rear discharge door and reinstall the grass catcher as described earlier in this manual.
- Connect to the power supply when you are ready to mow.

Fig. 11



MAINTENANCE

WARNING:

Before performing any maintenance, make sure the power supply is disconnected to avoid accidental starting and possible serious personal injury.

WARNING:

Always wear eye protection with side shields marked to comply with ANSI Z87.1. Failure to do so could result in objects being thrown into your eyes resulting in possible serious injury.

WARNING:

When servicing, use only identical replacement parts. Use of any other parts may create a hazard or cause product damage.

NOTICE:

Periodically inspect the entire product for damaged, missing, or loose parts such as screws, nuts, bolts, caps, etc. Tighten securely all fasteners and caps and do not operate this product until all missing or damaged parts are replaced. Please contact customer service or an authorized service center for assistance.

GENERAL MAINTENANCE

Avoid using solvents when cleaning plastic parts. Most plastics are susceptible to damage from various types of commercial solvents and may be damaged by their use. Use clean cloths to remove dirt, dust, oil, grease, etc.

WARNING:

Do not at any time let brake fluids, gasoline, petroleum based products, penetrating oils, etc., come in contact with plastic parts. Chemicals can damage, weaken, or destroy plastic which may result in serious personal injury.

NOTICE:

Never use a hose, water, or any liquids to clean the lawn mower, as water can damage electronic components. Remove any buildup of grass and leaves on or around the motor cover. Wipe the mower clean with a dry cloth occasionally.

Periodically check all nuts and bolts for proper tightness to ensure safe operation of the mower.

MAINTENANCE

LUBRICATION

All of the bearings in this product are lubricated with a sufficient amount of high grade lubricant for the life of the unit under normal operating conditions. Therefore, no further bearing lubrication is required.

⚠ WARNING:

Always protect hands by wearing heavy gloves and/or wrapping the cutting edges of the blade with rags and other material when performing blade maintenance. Failure to heed this warning could result in serious personal injury.

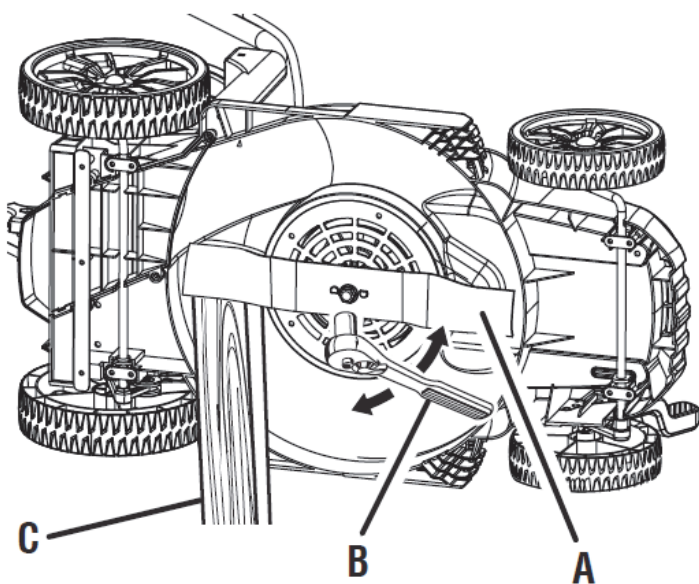
REPLACING THE CUTTING BLADE

See figures 12-13

NOTES: Only use identical replacement blades.

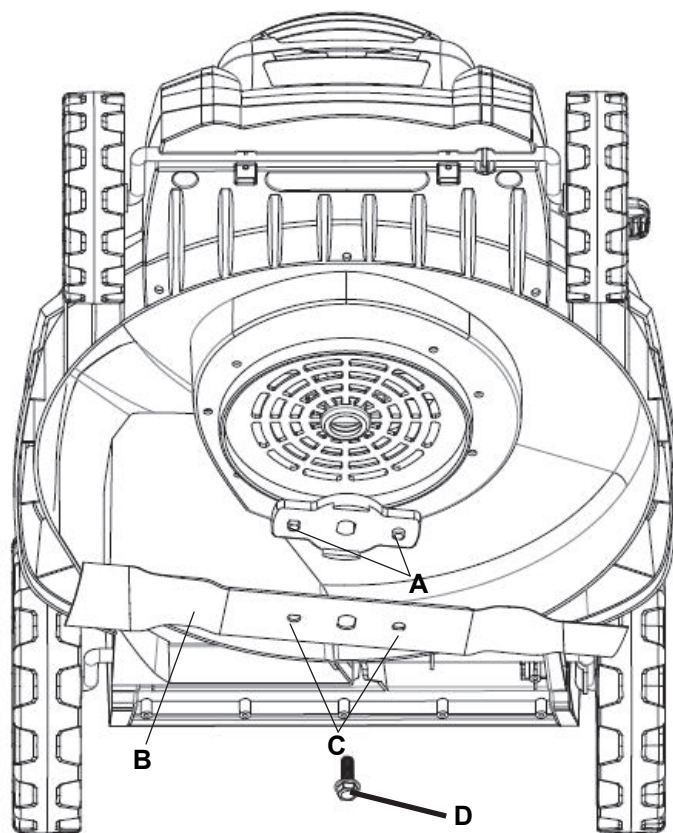
- Stop the motor. Allow the blade to come to a complete stop.
- Disconnect the power supply.
- Turn the mower on its side.

Fig. 12



- Wedge a block of wood (C) between the blade (A) and mower deck to prevent the blade from turning.
- Loosen the blade nut by turning it COUNTERCLOCK WISE (as viewed from bottom of the mower) using a 13mm wrench or socket (B) (not provided).
- Remove the blade bolt and blade.

Fig. 13



- Install the new blade (B). Ensure blade is properly seated with the two blade posts (A) inserted into the holes (C) on the blade. Make sure it is installed with the curved ends pointing up toward the mower deck and not down toward the ground. When seated properly, the blade should be flat.
- Reinstall the blade bolt (D) and finger tighten.

NOTE: Make certain all parts are replaced in the exact order in which they were removed.

- Torque the blade nut down CLOCKWISE using a torque wrench (not provided) to ensure the nut is properly tightened. The recommended torque for the blade nut is 350-400 in. lbs.

⚠ WARNING:

Ensure blade is properly seated and the blade blot is tightened to the torque specifications above. Failure to properly attach the blade could cause it to come loose or detach and result in possible serious personal injury.

MAINTENANCE

SHARPENING THE BLADE

See Figure 14

For best mowing performance, the mower blade must be kept sharp. A dull blade does not cut grass evenly and overloads the motor. Under normal circumstances, sharpening the blade twice during the mowing season is usually sufficient. However, if your lawn has sandy soil, more frequent sharpening's may be required.

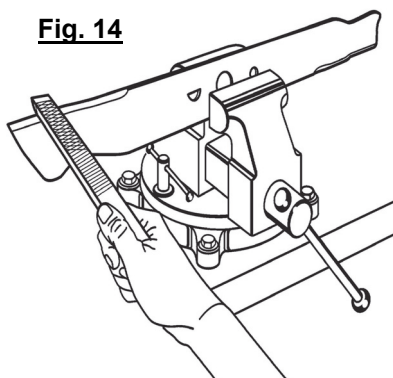
- Following the instructions in the **Replacing the Cutting Blade** section, remove the mower blade. **DO NOT** attempt to sharpen the blade while it is attached to the mower.

⚠ WARNING:

When removing, inspect the blade carefully. If blade is bent or damaged, replace immediately with a new blade. Failure to replace a bent or damaged blade could cause an accident resulting in possible serious injury.

- Using a fine tooth file or stone, sharpen cutting edges on both ends of the blade, removing equal amounts of material from both ends.

Fig. 14



BALANCING THE BLADE

See Figure 15

When sharpening, care should be taken to keep the blade balanced. An unbalanced blade will cause excessive vibration when the mower is running. This vibration will eventually cause damage to the mower, especially the motor.

To check blade balance:

- Clamp a screwdriver horizontally in a vise as shown.

NOTE: If a vise is not available, a straight nail can also be used.

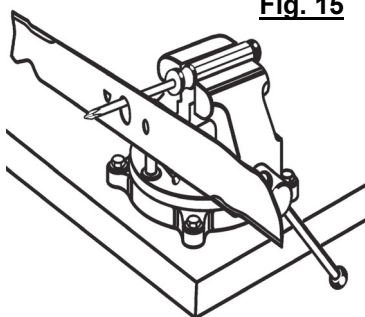


Fig. 15

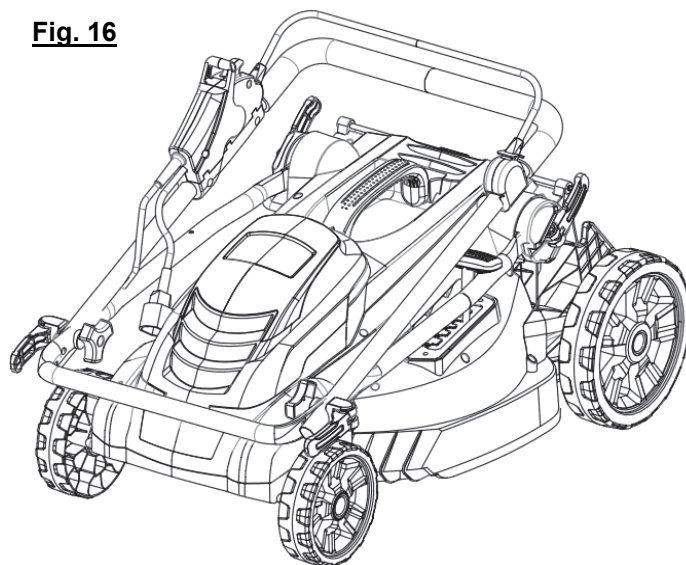
- Place the center hole of blade on the screwdriver (or nail) shank.
- If blade is balanced, it will remain in a horizontal position. If either end of the blade drops downward, sharpen the heavy side until the blade is balanced.

STORING THE MOWER

See Figure 16

- Disconnect power supply, and store in a secure location out of the reach of children.
- Before storage, wipe any dirt or debris.
- Turn mower on its side and clean grass clippings that have accumulated on the underside of the mower deck.
- Wipe the mower clean with a dry cloth.
- Check all nuts, bolts, knobs, screws, fasteners, etc., for tightness.
- Inspect moving parts for damage, breakage and wear. Have repairs made on any damaged or missing parts. Check blade for damage, uneven or excessive wear and replace blade if these conditions exist.
- Lower the handle assembly as described earlier in this manual.
- Store mower indoors in a clean, dry place out of the reach of children.
- Do not store near corrosive materials such as fertilizer or rock salt.

Fig. 16



TROUBLESHOOTING

Problem	Possible cause	Solution
Handle not in position	Carriage bolts not seated properly.	Adjust the height of the handle and make sure the carriage bolts are seated properly.
	Handle knobs not tightened.	Tighten handle knobs.
Mower not starting.	Power supply not connected.	Connect to power supply.
Mower cutting grass unevenly.	Lawn is rough or uneven.	Check mowing area.
	Cutting height is not set properly.	Move the wheels to a higher setting.
Mower hard to push.	High grass, rear of mower housing and blade dragging in heavy grass, or cutting height too low.	Raise cutting height.
	The rear of the grass catcher is dragging in thick grass.	Empty grass clippings from the grass catcher.
Mower vibrating at higher speed.	Blade is unbalanced.	Balance the blade by grinding each cutting edge equally.
	Bent motor shaft.	Stop the motor, remove battery, and inspect for damage. Have repaired by an authorized service center before restarting.
Motor stops while cutting.	Cutting height set too low.	Raise the cutting height.

CALL US FIRST !!

Call us first with questions about operating or maintaining this product at 1.800.633.1501 between 8:00 a.m. – 5:00 p.m. Eastern Standard Time, or get assistance on www.americanlawnmower.com.

PARTS AND SERVICE

For parts or service, please call 1-800-633-1501 or visit us online at www.americanlawnmower.com. Be sure to provide all relevant information when you call or visit.

REPAIR PARTS (KITS/ ITEMS)

The model/ serial number of this tool is found on a plate or label attached to the housing. Please record the serial number in the space provided below.

MODEL NUMBER 50616

SERIAL NUMBER _____

Always mention the model number when ordering kits/items for this tool.

No.	Kit/Item Number	Description
1	50616/62016S-HK	Hardware Kit
2	50616/62016S-RBDK	Rear Bag Door Kit
3	50616-UHK	Upper Handle Kit
4	50616/62016S-LHK	Lower Handle Kit
5	50616/62016S-GCK	Grass Catcher Kit

CALL US FIRST !!

Call us first with questions about operating or maintaining this product at 1.800.633.1501 between 8:00 a.m. – 5:00 p.m. Eastern Standard Time, or get assistance on www.americanlawnmower.com.



OWNER'S MANUAL

16 in. ELECTRIC LAWN MOWER

Copyright. All Rights Reserved.

Model 50616

WARRANTY POLICY

Two (2) year limited warranty on Earthwise outdoor power equipment.

Earthwise warrants to the original owner that each new product and service part is free from defects in materials and workmanship and agrees to repair or replace any defective product or part for the warranty period as stated above from the original date of purchase except for the conditions and circumstances listed below:

This warranty applies only to the original purchaser at retail and may not be transferred.

Warranty applies if the product is used for personal, household or family use. Warranty is void if product is used for commercial, industrial or rental purposes.

Warranty does not include repairs necessary due to operator's abuse or negligence (including overloading the product beyond capacity or immersion in water), or the failure to assemble, operate, maintain or store the product according to the instructions in the owner's manual.

This warranty is not transferable and only applies to product sold directly from an authorized retailer. This warranty does not apply to any product, new or used, purchased through unauthorized third-party channels.

ANY INCIDENTAL, INDIRECT OR CONSEQUENTIAL LOSS, DAMAGE, OR EXPENSE THAT MAY RESULT FROM ANY DEFECT, FAILURE OR MALFUNCTION OF THE PRODUCT IS NOT COVERED BY THE WARRANTY. Some states do not allow the exclusion or limitation on how long an implied warranty lasts, so the above limitation may not apply to you.

Products sold damaged or incomplete, sold "as is", or sold as reconditioned are not covered under the warranty.

Damage or liability caused by shipping, improper handling, improper assembly, incorrect voltage, improper wiring, improper maintenance, improper modification or the use of accessories and/or attachments not specifically recommended is not covered by this warranty.

Expendable items that become worn during normal use are not covered by the warranty.

Warranty does not cover damage caused by cold, heat, rain, excessive humidity, corrosive environments and materials, or other contaminants.

Warranty does not include installation, assembly or normal adjustments explained in the owner's manual.

The expense of delivering the product to the vendor and the expense of returning the product or replacement parts to the owner is not covered by the warranty.

The warranty does not cover normal deterioration of the exterior finish, including but not limited to scratches, dents, paint chips or any corrosion or discoloration caused by heat, abrasive and chemical cleaners.

Proof of purchase, original dated sales receipt, must accompany all warranty claims.



American Lawn Mower Company
The Great States Corporation
7444 Shadeland Station Way
Indianapolis, IN 46256, USA
Phone 1-800-633-1501
www.americanlawnmower.com

In a continued commitment to improve quality, the Manufacturer reserves the right to make component changes or design changes when necessary.

Rev. 12/03/20

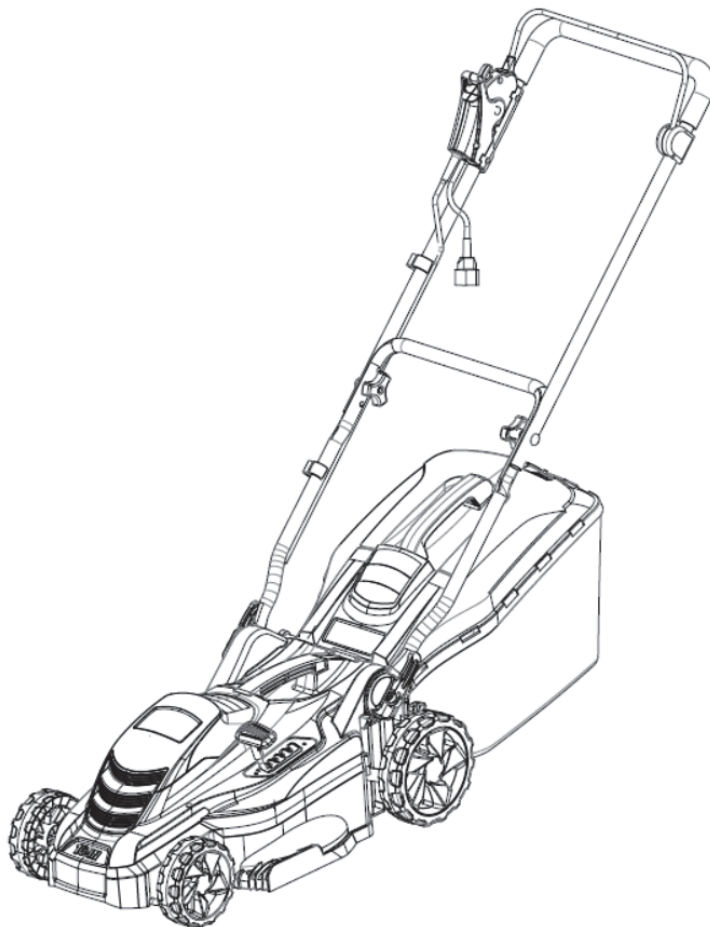


MANUAL DEL OPERARIO

PODADORA ELÉCTRICA DE 406 mm (16 pulg.)

Copyright. Todos los derechos reservados.

Modelo 50616



Su cortadora fue diseñada y fabricada de acuerdo con nuestros altos estándares de confiabilidad, facilidad de operación y seguridad para el operario. Si se la trata con cuidado, le otorgará años de óptimo rendimiento y resistencia.

⚠ ADVERTENCIA: Para reducir el riesgo de sufrir alguna lesión, el usuario debe leer y comprender el manual del operario antes de usar este producto.

Muchas gracias por su compra.

NO DEVUELVA ESTE PRODUCTO A LA TIENDA. ¿TIENE PREGUNTAS SOBRE EL FUNCIONAMIENTO, EL MONTAJE, LAS PIEZAS O EL MANTENIMIENTO? IR A WWW.AMERICANLAWNMOWER.COM, O Llame al 1-800-633-1501 ENTRE LAS 8:00 Y LAS 17:00 H, HORA ESTÁNDAR DEL ESTE, PARA OBTENER ASISTENCIA.

GUARDE ESTE MANUAL PARA CONSULTAS FUTURAS

ÍNDICE

• Introducción	2
• Instrucciones de seguridad importantes.....	3-5
• Símbolos	5-6
• Características	6-7
• Montaje	7-9
• Funcionamiento	9-11
• Mantenimiento	11-13
• Solución de problemas	14
• Piezas y Servicio.....	15
• Garantía	Contraportada

INTRODUCCIÓN

Este producto presenta muchas características para que su uso sea placentero y agradable. La seguridad, el rendimiento y la confiabilidad han sido la máxima prioridad durante el diseño de este producto, a fin de que resulte fácil de mantener y operar.

SERVICIO TÉCNICO:

El servicio técnico requiere sumo cuidado y conocimiento, y debe ser realizado solo por un técnico calificado. Para reparar el producto, le recomendamos que lo lleve a su **CENTRO DE SERVICIO TÉCNICO AUTORIZADO** más cercano. Al efectuar el servicio técnico, use sólo repuestos idénticos.



ADVERTENCIA:

Para evitar lesiones serias, no intente usar este producto hasta después de haber leído atentamente y comprendido en su totalidad el manual del operario. Si no comprende las advertencias e instrucciones del manual, no use el producto. Comuníquese con el centro de atención al cliente de Earthwise para recibir asistencia.



ADVERTENCIA:



El uso de cualquier herramienta eléctrica puede hacer que objetos extraños sean arrojados hacia sus ojos, lo que provocaría una lesión seria. Antes de empezar a operar la herramienta, siempre colóquese gafas de seguridad con protectores laterales y, si fuera necesario, un protector completo para la cara. Le recomendamos usar una máscara de visión amplia encima de las gafas de seguridad estándar con protectores laterales. Siempre use protección para los ojos que cumpla con la norma ANSI Z87.1.

¡LLÁMENOS PRIMERO!

Si tiene alguna pregunta sobre el funcionamiento o el mantenimiento del producto, llame a la línea de ayuda de Earthwise™ 1-800-633-1501. El producto ha pasado por todas las pruebas necesarias antes del envío, para garantizar la satisfacción del cliente.

GUARDE ESTAS INSTRUCCIONES

INSTRUCCIONES DE SEGURIDAD IMPORTANTES

ADVERTENCIA:

LEA Y COMPRENDA TODAS LAS INSTRUCCIONES

Si no se respetan todas las instrucciones enumeradas más abajo y en la máquina, se podrían provocar incendios, descargas eléctricas o lesiones corporales serias.

LEA TODAS LAS INSTRUCCIONES

- Esta cortadora puede amputar manos y pies, además de lanzar objetos. Si no se cumple con todas las instrucciones de seguridad, se podrían provocar lesiones serias e incluso la muerte.
- Evite ambientes peligrosos - No utilice la cortadora en condiciones de humedad, lugares mojados o bajo la lluvia.
- Solo permita que esta máquina sea operada por personas adultas responsables que estén familiarizadas con las instrucciones.
- Mientras corta el césped, no permita que haya otras personas, niños o mascotas en el lugar. Detenga la máquina si alguien ingresa al área.
- Pueden ocurrir accidentes trágicos si el usuario no advierte la presencia de niños. Los niños suelen sentirse atraídos por la máquina y la actividad de cortar el césped. Nunca suponga que los niños se quedarán en el sitio donde los vio por última vez.
- * Manténgalos alejados de la zona de trabajo y bajo el cuidado atento de otro adulto responsable.
- * Esté alerta y apague la cortadora si un niño ingresa a la zona de trabajo.
- * Nunca permita a los niños usar la cortadora.
- * Emplee sumo cuidado cuando se aproxime a esquinas ciegas, arbustos, árboles u otros objetos que puedan impedirle ver a un niño.
- Vístase adecuadamente - No use prendas sueltas ni artículos de joyería porque pueden quedar atrapados en las piezas móviles. Se recomienda usar guantes de goma y calzado de protección cuando se trabaja al aire libre.
- Ne pas travailler hors de portée - Mantenga una base de apoyo firme y un buen equilibrio. No adopte una postura incómoda. Si lo hiciera, podría perder el equilibrio.
- No opere el equipo descalzo o si tiene sandalias o calzado liviano similar. Use calzado de protección que cubra sus pies y le permita tener una base de apoyo firme en superficies resbaladizas.
- No deje la cortadora sin vigilancia mientras está funcionando.
- Mantenga manos y pies alejados de la zona de corte. Manténgase alejado de la abertura de descarga en todo momento.
- Utilice la cortadora solo con luz natural o buena luz artificial.
- Utilice gafas de seguridad - Siempre utilice gafas de seguridad con protectores laterales. Las gafas comunes y corrientes solo resisten impactos en el área de las lentes. NO son gafas de seguridad. Si respeta esta regla reducirá el riesgo de dañarse los ojos. Protéjase la cara con una mascarilla si hay polvo en el ambiente.
- Al operar este producto, use gafas de seguridad que cumplan con la norma ANSI Z87.1.
- Use la herramienta correcta. No utilice la cortadora en trabajos para los que no está indicada.
- No la fuerce. La máquina funcionará mejor y de manera más segura a la velocidad para la que fue diseñada.
- Manténgase alerta, observe lo que está haciendo y use el sentido común cuando trabaja con la cortadora. No opere la cortadora si está cansado o bajo la influencia de drogas, alcohol o medicamentos. Un momento de distracción mientras opera la unidad podría provocar lesiones corporales serias.
- Mantenga la podadora de pasto con cuidado - Mantenga la máquina en buenas condiciones. Las cuchillas deben estar afiladas y los protectores colocados y en estado de funcionamiento.
- Verifique con frecuencia que todas las tuercas, los pernos y los tornillos estén bien ajustados para asegurarse de que el equipo esté en estado de funcionamiento seguro.

- Apague el motor y espere hasta que la hoja se detenga completamente y desconecte el enchufe de la fuente de corriente antes de limpiar la podadora de pasto, retirar el receptor de hierba o extraer el tapón para trituración de pasto para fertilizar. Nunca use una manguera, agua ni líquidos para limpiar la podadora de césped, ya que el agua y los líquidos podrían dañar los componentes electrónicos. Remueva la formación de pasto y hojas sobre o en torno a la cubierta del motor. Limpie la podadora con un trapo seco de manera ocasional.
- Cambie la hoja si está doblada o fisurada. Una hoja mal equilibrada ocasiona vibraciones que podrían dañar la unidad impulsora del motor o causar lesiones personales. Afile la hoja desafilada de la misma manera en cada extremo para mantener el equilibrio. Limpie profundamente la hoja y verifique el equilibrio apoyándola horizontalmente sobre un clavo delgado a través del orificio central. El clavo debe encontrarse en posición horizontal. Si alguno de los extremos del a hoja gira hacia abajo, extraiga algo de metal de la parte pesada del extremo inferior hasta que la hoja quede equilibrada. La hoja estará equilibrada cuando ninguno de los extremos gire hacia abajo.
- Cuando no está en uso, la podadora debe guardarse en el interior, en un lugar seco y cerrado, lejos del alcance de los niños.
- Siempre utilice dispositivos de protección. No utilice la podadora si no tiene el receptor de hierba o la protección de descarga, el tapón para trituración de pasto y la puerta de descarga trasera en sus debidos lugares y en perfectas condiciones de funcionamiento.
- Siga las instrucciones del fabricante para el correcto manejo e instalación de los accesorios. Sólo utilice accesorios aprobados por el fabricante.
- Para reducir el riesgo de una descarga eléctrica, este producto dispone de clavija polarizada (una patilla es más ancha que la otra) y requiere un cordón de extensión polarizado. La clavija del artefacto encaja en el cordón de extensión polarizado solo en una dirección. Si la clavija no entra completamente en el cordón de extensión, invierta la posición de la misma. Si aún así no entra la clavija, obtenga un cordón de extensión polarizado correcto. El cordón de extensión polarizado requiere el uso de un tomacorrientes de pared polarizado. Esta clavija encaja de una sola forma en un tomacorriente polarizado. Si la clavija no entra completamente en el tomacorriente de pared, invierta la posición de la clavija. Si aún así no entra la clavija, contrate a un electricista calificado para encargarse de la instalación de una toma de pared adecuada. No cambie de ninguna manera la clavija del producto, ni el enchufe o la clavija del cordón de extensión.
- Los circuitos o las tomas de corriente donde se conecta este producto deben estar protegidos con un interruptor de circuito accionado por falla de conexión a tierra (GFCI). Hay receptáculos con la protección de un GFCI integrado, y pueden utilizarse para contar con esta característica de seguridad.
- Inspeccione periódicamente el cordón de la podadora, y si está dañado, permita que lo reparen en un establecimiento de servicio autorizado. Revise periódicamente los prolongadores y reemplácelos si están dañados. Mantenga los mangos secos, limpios y sin aceite ni grasa.
- Advertencia — Para reducir el riesgo de descarga eléctrica, utilice solo con un cordón de extensión adecuado para el uso exterior, como el cordón de extensión tipos SW, SOW, STW, STOW, SJW, SJOW, SJTW, o SJTOW.
- Cordón de extensión — Asegúrese de que esté en buen estado el cordón de extensión. Al utilizar un cordón de extensión, utilice uno del suficiente calibre para soportar la corriente que consume el producto. Para largos menores a 15,2 metros (50 pies) se debe usar un cable de extensión calibre 14 AWG. Un cordón de un grueso insuficiente causa una caída en el voltaje de línea, y produce recalentamiento y pérdida de potencia. Para reducir la probabilidad de que la podadora se desconecte del conjunto del cable durante su uso, use el retén de cable que se describe en este manual.
- En usos normales, el conjunto del receptor de hierba está sujeto a deterioro y desgaste, y debe revisarse periódicamente. Solo use conjuntos de receptores de hierba idénticos.
- No haga mal uso del cordón — Nunca tire de la podadora desde el cable ni tire de él para desconectarlo del receptáculo. Mantenga el cordón eléctrico alejado del calor, del aceite y de los bordes afilados.
- Existe riesgo de muerte o de lesiones físicas graves si entra en contacto con líneas de conducción o cables eléctricos. Nunca accione la podadora sobre de fuentes de electricidad o cables.
- Despeje el área de trabajo cada vez antes de utilizar esta herramienta. Retire todos los objetos como piedras, nueces de árbol, palos, metal, alambre, huesos, juguetes u otros objetos que puedan ser lanzados por la hoja. Permanezca detrás del mango mientras el motor esté en funcionamiento.

INSTRUCCIONES DE SEGURIDAD IMPORTANTES

- Evite pozos, surcos, montículos, rocas, estacas que indican los límites de la propiedad u otros objetos ocultos. El terreno desnivelado puede causar un accidente por resbalón y caída.
- No pade el pasto cerca de precipicios, zanjas o terraplenes.
- Pude atravesando el frente de las pendientes; nunca hacia arriba ni hacia abajo. Tenga mucha precaución al cambiar de dirección en una pendiente.
- Planifique su patrón de podado para evitar la descarga de material en caminos, aceras, circunstantes y demás. Además, evite descargar material contra una pared u obstrucción que pueda hacer que el material rebote hacia el operador.
- No pade la hierba cuando está mojada ni en pendientes excesivamente empinadas. Una postura mal afirmada puede causar un accidente por resbalón y caída. Camine, no corra nunca.
- Tenga cuidado extremo al acercarse a esquinas ciegas, arbustos, árboles u otros objetos que puedan impedirle ver.
- No tire de la podadora hacia atrás a menos que sea absolutamente necesario. Si debe retroceder la podadora para alejarla de una pared u obstrucción, primero mire hacia abajo y hacia atrás para evitar tropezar o tirando la podadora hacia los pies.
- Nunca dirija el material descargado hacia una persona. Evite descargar el material contra una pared u obstrucción. El material puede rebotar hacia el operador. Detenga la hoja cuando cruce por superficies de grava.
- Los objetos golpeados por la hoja de la podadora de pasto pueden causar graves heridas a las personas. Siempre debe examinarse el pasto con cuidado y despejarlo de cualquier objeto antes de cada poda.
- Si la podadora de pasto golpea un objeto extraño, siga estos pasos:
 - * Detenga la podadora de césped soltando el palanca de control de la hoja, espere hasta que la hoja se detenga por completo y luego desconecte la clavija del suministro de corriente.
 - * Inspeccione minuciosamente la podadora para ver si tiene daños.
 - * Reemplace la hoja si presenta algún tipo de daño. Repare todo daño antes de volver a arrancar la podadora y continuar utilizándola.
- Detenga el motor, espere hasta que la hoja se detenga por completo y desconecte la clavija del suministro de corriente antes de limpiar la bolsa coleccionadora. La hoja continúa girando durante algunos segundos después de que se apaga el motor. Nunca coloque ninguna parte del cuerpo en el área de la hoja hasta que esté seguro de que la hoja ha dejado de girar.
- Si la podadora comienza a vibrar de manera anormal, detenga el motor, desconecte la clavija del suministro de corriente e inspecciónela inmediatamente para determinar la causa. Reemplace la hoja si presenta algún tipo de daño o si se ha desgastado de forma irregular. La vibración es generalmente una advertencia de problemas.
- Sólo personal de reparación calificado debe dar servicio al producto. Todo servicio o mantenimiento efectuado por personal no calificado puede significar un riesgo de lesiones al usuario, y de daños físicos al producto.
- Al dar servicio a este producto, sólo utilice únicamente repuestos idénticos. Utilice solo hojas de repuesto idénticas a las originales. El empleo de piezas no autorizadas puede significar un riesgo de lesiones serias al usuario, o de daños físicos al producto.
- Mantenga las etiquetas de instrucciones de seguridad en buen estado o cámbielas, según sea necesario.
- Desconecte el enchufe de la fuente de corriente – Desconecte el enchufe de la fuente de corriente antes de guardar la herramienta, servicio, o cambie los aditamentos como una hojas. Tales medidas preventivas de seguridad reducen el riesgo de poner en marcha accidentalmente la herramienta.
- Apague la unidad, desconecte el enchufe de la fuente de corriente cuando no esté en uso. Traslade o transporte la unidad con el motor apagado de la podadora.
- Guarde en el interior los aparatos que no se están usando - Cuando no se está usando, se debe guardar la recortadora de hilo en el interior, en un lugar seco y cerrado, inaccesible a los niños. También debe extraer cordón de extensión y almacenarlos en una ubicación separada lejos del alcance de los niños.
- Siga las instrucciones para lubricar y cambiar accesorios.
- Mantenga las protecciones en su lugar y en perfectas condiciones.
- Mantenga las hojas afiladas.
- Mantenga las manos y los pies alejados del área de corte.
- Solo permita que esta máquina sea operada por personas adultas responsables que estén familiarizadas con las instrucciones.
- Nunca opere la máquina en un espacio cerrado.
- Nunca altere los dispositivos de seguridad. Compruebe periódicamente que la máquina funcione correctamente.
- Guarde estas instrucciones. Consúltelas con frecuencia y empléelas para instruir a otras personas que puedan utilizar esta herramienta. Si presta a alguien esta herramienta, facilítele también las instrucciones.

SÉCURITÉ GÉNÉRALE

DOBLE AISLAMIENTO—El cortacésped tiene doble aislamiento. Es decir que todas las piezas metálicas externas están aisladas del suministro eléctrico. Esto se logra con la introducción de una capa de aislamiento entre las piezas eléctricas y las mecánicas. El doble aislamiento le garantiza la mayor seguridad posible.

ADVERTENCIA:

El sistema de doble aislamiento está destinado a proteger al usuario contra las descargas eléctricas resultantes de la ruptura del aislamiento interno de la herramienta. Observe todas las precauciones de seguridad para evitar descargas eléctricas.

GFCI

Los circuitos o las tomas de corriente donde se conecta este producto deben estar protegidos con un interruptor de circuito accionado por falla de conexión a tierra (GFCI). Hay receptáculos con la protección de un GFCI integrado, y pueden utilizarse para contar con esta característica de seguridad.

CABLE DE EXTENSIÓN. Asegúrese de que el cable de extensión esté en buenas condiciones. Además, compruebe que tenga el grosor suficiente para transportar la corriente que necesitará el producto. Un cable de extensión muy pequeño provocará una disminución en la tensión de la línea y, como resultado, una pérdida de potencia y recalentamiento. La siguiente tabla muestra el tamaño correcto que se debe usar según la longitud del cable y el amperaje de la etiqueta. Ante la duda, utilice el siguiente calibre más grueso. Cuanto más bajo es el número de calibre, más grueso es el cable.

ADVERTENCIA: Para el exterior, use cables de extensión rotulados con las siguientes inscripciones: SW-A, SOW-A, STW-A, STOW-A, SJW-A, SJTWA o SJTOWA. Estos cables están especificados para usar al aire libre y reducir el riesgo de descarga eléctrica.

Voltios	Calibre mínimo para los cables			
	Longitud total del cable en pies			
120V	0-25	26-50	51-100	101-150
Amperaje		Calibre AWG		
Más de	No más de			
0	- 6	18	16	14
6	- 10	18	16	14
10	- 12	16	16	14
12	- 16	14	12	No se recomienda

El cable de extensión y el cable de alimentación se pueden atar para evitar que se desconecten durante el uso. Realice el nudo como se muestra en la imagen y luego conecte el enchufe del cable de alimentación en el receptáculo del cable de extensión. Este método también se puede aplicar para unir dos cables de extensión.

ADVERTENCIA:

Mantenga el cordón de extensión fuera del área de trabajo. Al trabajar con una herramienta eléctrica, coloque el cordón de tal manera que no pueda enredarse en la madera, herramientas ni en otras obstrucciones. La inobservancia de esta advertencia puede causar lesiones serias.

Inspeccione los cordones de extensión cada vez antes de usarlos. Si están dañados reemplácelos de inmediato. Nunca utilice la producto con un cordón dañado, ya que si toca la parte dañada puede producirse una descarga eléctrica, y las consecuentes lesiones serias.

SÉCURITÉ GÉNÉRALE




- ⚠️ ADVERTENCIA: Proposición 65 de California:**
Este producto contiene sustancias químicas al estado de California como causantes de cáncer, defectos de nacimiento u otros problemas reproductivos.
- ⚠️ ADVERTENCIA:** Parte del polvo y los desechos generados por el uso de esta herramienta contienen químicos reconocidos por el Estado de California como causantes de cáncer, defectos de nacimiento u otros efectos nocivos para el aparato reproductor. Algunos ejemplos de estos productos químicos son:
- químicos presentes en fertilizantes
 - compuestos presentes en insecticidas, herbicidas y pesticidas
 - arsénico y cromo de maderas tratadas químicamente

El riesgo que usted corre al exponerse a estos químicos varía según la frecuencia con la que realiza este tipo de trabajo. Para reducir la exposición, trabaje en una zona bien ventilada y utilice equipo de protección aprobado, como mascarillas antipolvo especialmente diseñadas para filtrar partículas microscópicas.











⚠️ ADVERTENCIA: Cáncer y Daño Reproductivo - www.P65Warnings.ca.gov.

SÍMBOLOS

A continuación, encontrará palabras indicadoras y significados que explican los niveles de riesgo asociados con este producto.




SÍMBOLO	INDICACIÓN	SIGNIFICADO
	PELIGRO	Indica una situación de inminente peligro que, de no evitarse, provocará la muerte o lesiones serias.
	ADVERTENCIA	Indica una situación potencialmente peligrosa que, de no evitarse, podría provocar la muerte o lesiones serias.
	PRECAUCIÓN	Indica una situación potencialmente peligrosa que, de no evitarse, podría provocar lesiones menores o moderadas.
	AVISO	(Sin símbolo de alerta de seguridad) Indica una situación que puede resultar en daños a la propiedad.

Algunos de los siguientes símbolos pueden aparecer en este producto. Tenga a bien estudiarlos y aprender su significado. La adecuada interpretación de estos símbolos le permitirá operar el producto mejor y de manera más segura.

SÍMBOLO	NOMBRE	DESIGNACIÓN / EXPLICACIÓN
	Alerta de seguridad	Indica un peligro posible de lesiones personales.
	Lea el manual del operario	Para reducir el riesgo de sufrir alguna lesión, el usuario debe leer y comprender el manual del operario antes de usar este producto.
	Protección ocular	Siempre póngase protección ocular con protección lateral con la marca de cumplimiento de la norma ANSI Z87.1.
	No pade sobre cables eléctricos	Existe riesgo de muerte o de lesiones físicas graves si se entra en contacto con las líneas de conducción o cables eléctricos. Nunca utilice la podadora sobre fuentes de electricidad, cables o alambres.
	Alerta de condiciones húmedas	No exponga la unidad a la lluvia ni la use en lugares húmedos.
	Descarga eléctrica	Si no se usa la unidad en condiciones secas y no se observan prácticas seguras de trabajo, puede producirse una descarga eléctrica.
	Mantenga las manos y los pies alejados.	Mantenga las manos y los pies alejados de las hojas y del área de corte.
	No extenderse	No extienda las manos o los pies por debajo de la cubierta de la podadora.
	No utilizar sobre pendientes	No utilice la podadora sobre pendientes superiores a los 15°. Corte sobre la superficie de las pendientes y nunca de arriba a abajo.
	Mantenga alejados a los niños y circunstancias	Mantenga a los niños y otras personas alejadas a una distancia mínima de 30,5 m (100 pies).

SÍMBOLOS

Algunos de los siguientes símbolos pueden aparecer en este producto. Tenga a bien estudiarlos y aprender su significado. La adecuada interpretación de estos símbolos le permitirá operar el producto mejor y de manera más segura.

SÍMBOLO	NOMBRE	DESIGNACIÓN / EXPLICACIÓN
	Rebote	Cualquier objeto lanzado puede rebotar y producir lesiones personales o daños físicos.
V	Voltios	Voltaje
A	Amperios	Corriente
Hz	Hertz	Frecuencia (ciclos por segundo)
W	Watts	Potencia
hrs	Horas	Tiempo
	Corriente alterna	Tipo de corriente
	Outil de classe II	Fabricación con doble aislamiento

CARACTERÍSTICAS

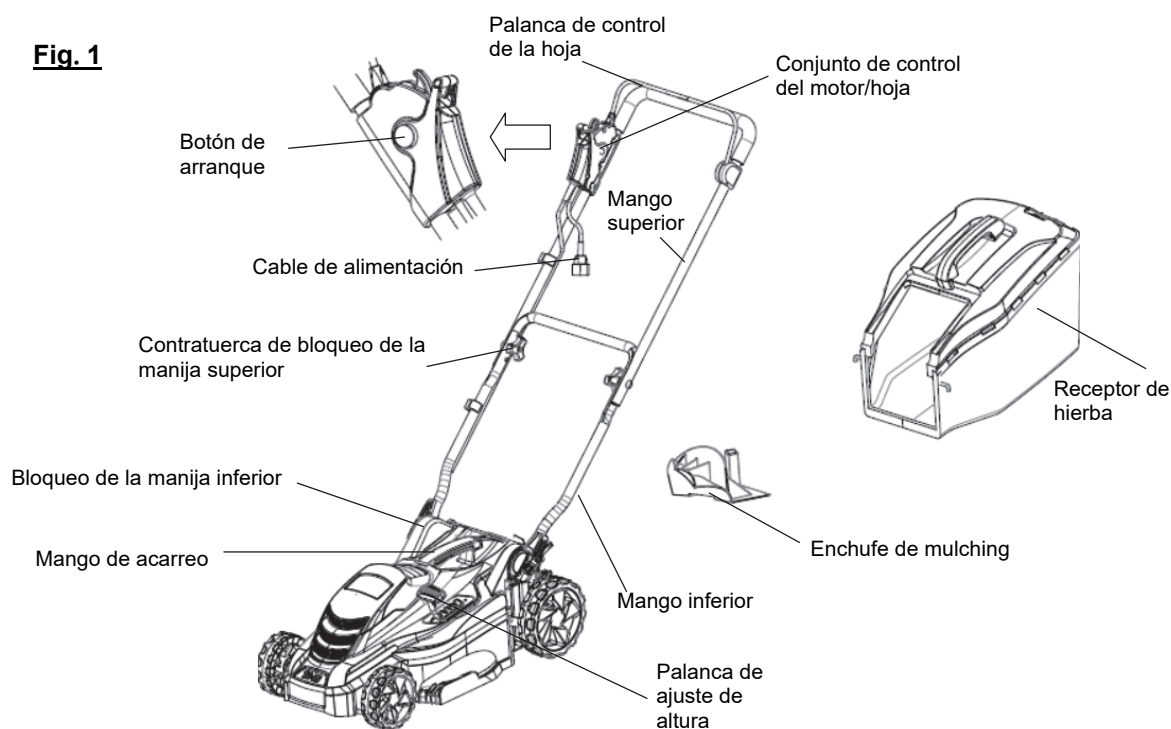
ESPECIFICACIONES DEL PRODUCTO

Modelo 50616

Motor.....120V, c.a. solamente, 60Hz, 12A
 Camino de corte..... 406 mm (16 pulg.)

Ajustes de altura.....35 mm a 85 mm
 (1.4 pulg. a 3.3 pulg.)
 Tamaño de las ruedas.....140 mm (5.5 pulg.) delanteras
 178 mm (7 pulg.) traseras

Fig. 1



CARACTERÍSTICAS

CONOZCA SU CORTADORA DE CÉSPED

Veá la figura 1

Para utilizar este producto de manera segura, es necesario comprender la información de este manual del operario y también conocer el proyecto que desea llevar a cabo. Antes de usar el producto, familiarícese con todas las características operativas y las normas de seguridad.

PALANCA DE AJUSTE DE ALTURA

El mango presenta tres ajustes de altura diferentes.

MANGO DE ACARREO

La podadora cuenta con un mango de acarreo para facilitar el traslado.

RETÉN PARA EL CABLE

Un conveniente retén para el cable ayuda a sujetar la conexión del cable de extensión durante el funcionamiento de la recortadora de hilo.

RECEPTOR DE HIERBA

El receptor de hierba acumula lo que ya ha cortado y evita que se desparrame mientras continúa cortando el césped.

PALANCA DE AJUSTE DE ALTURA

La palanca de ajuste de altura brinda ajustes de la altura de corte.

CONJUNTO DE CONTROL DEL MOTOR/ HOJA

El control de la motriz/hoja, localizado en el asidero superior del cortacéspedes, comprometiéndolo y suelta el motor y la hoja.

TAPONES

Su cortacésped está equipado con un tapón de cobertura que cubre la abertura de descarga trasera, lo que permite que la cuchilla del cortacésped corte y vuelva a cortar para recortes más finos.

MONTAJE

DESEMBALAJE

Este producto requiere algunas operaciones de montaje.

- Extraiga el producto y los accesorios de la caja con cuidado. Asegúrese de que estén incluidos todos los elementos detallados en la lista de embalaje.

⚠ ADVERTENCIA:

No utilice este producto si alguna pieza incluida en la lista de empaquetado ya está ensamblada al producto cuando lo desempaqueta. El fabricante no ensambla las piezas de esta lista en el producto. Éstas deben ser instaladas por el usuario. El uso de un producto que puede haber sido ensamblado de forma inadecuada podría causar lesiones personales graves.

- Inspeccione el producto detenidamente para corroborar que no existan roturas ni averías ocurridas durante el envío.
- No deseche el material de embalaje hasta haber inspeccionado exhaustivamente el producto y comprobado que funciona en forma satisfactoria.
- Si alguna pieza falta o está dañada, llame al 1-800-633-1501 para obtener asistencia.

⚠ ADVERTENCIA:

Si alguna pieza falta o está dañada, no utilice este producto hasta reponer la pieza en cuestión. De lo contrario, podría sufrir lesiones corporales serias.

⚠ ADVERTENCIA:

No intente modificar la unidad ni elaborar accesorios no recomendados para usar con este producto. Dicha clase de alteración o modificación constituye un uso inadecuado de la herramienta y podría generar situaciones de riesgo y provocar lesiones corporales serias.

⚠ ADVERTENCIA:

No conecte el enchufe de la fuente de corriente haber terminado de armarla y usted está listo para cortar. De lo contrario la unidad puede ponerse en marcha accidentalmente, con el consiguiente riesgo de lesiones serias.

⚠ ADVERTENCIA:

Para prevenir empezar accidental, no hace ningún ajuste ni las instalaciones con el enchufe de la fuente de corriente metida. El arranque accidental de la podadora durante el armado puede causar lesiones graves.

⚠ ADVERTENCIA:

Nunca utilice la podadora sin que los dispositivos de seguridad adecuados estén colocados y en funcionamiento. Nunca utilice la podadora con dispositivos de seguridad dañados. El funcionamiento de la podadora con piezas dañadas o faltantes puede ocasionar lesiones graves.

LISTA DE EMBALAJE

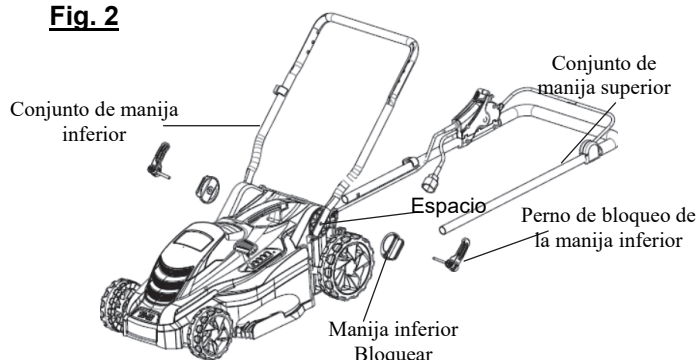
Descripción	Cantidad
Podadora	1
Conjunto del mango superior	1
Mango inferior	1
Receptor de hierba	1
Enchufe de mulching	1
Cerraduras de la manija inferior	2
Pernos de bloqueo de la manija inferior	2
Tuerca de mariposa del mango superior	2
Pernos de bloqueo de la manija superior	2
Manual del operario	1

MONTAJE

INSTALAR Y AJUSTAR EL CONJUNTO DE MANGOS

Vea la figura 2 y 3

Fig. 2



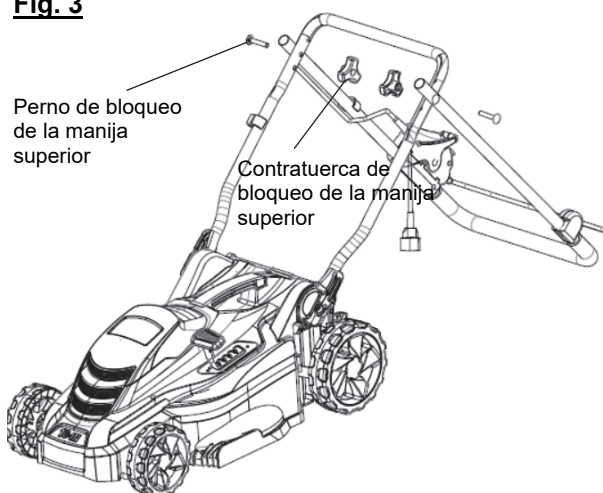
Para instalar el conjunto de los mangos:

- Localice los bloqueos de la manija inferior y los pernos de bloqueo de la manija.
- Coloque el conjunto de la manija superior detrás del cortacésped como se muestra.
- Alinee la manija inferior con la ranura en la carcasa del motor.

NOTA: Asegúrese de que el cable de alimentación esté ubicado dentro y encima del mango.

- Inserte el perno de bloqueo del mango inferior a través del bloqueo del mango inferior y enrósquelo en la carcasa del cortacésped hasta que el bloqueo del mango inferior esté aproximadamente a 1/4 pulg. De la carcasa del cortacésped.
- Para asegurar la manija inferior en su lugar, cierre el bloqueo de la manija inferior.
- Repite por el otro lado.

Fig. 3



Para instalar el mango inferior:

- Coloque el conjunto de la manija superior sobre la manija inferior como se muestra en la Fig.3, luego inserte el perno de bloqueo de la manija superior a través de los agujeros en ambas manijas.

NOTA: El mango inferior tiene tres configuraciones de agujeros para el ajuste de altura. Asegúrese de usar la misma configuración de altura en cada lado.

- Enrosque la tuerca mariposa de bloqueo de la manija superior en el perno de bloqueo.
- Repita este paso del otro lado.
- Tire hacia arriba y hacia atrás del mango superior para elevarlo hasta la posición de operación. Asegúrese de que el mango superior esté asentado en las ranuras de la parte superior del mango inferior.
- Para asegurar el mango superior en su lugar, apriete las tuercas de mariposa del mango superior. Evite pellizcar o atrapar los cables de alimentación.

NOTA: Si la manija superior está floja o separada de la manija inferior, apriete las tuercas de mariposa en los seguros de la manija superior girándolas en el sentido de las agujas del reloj.

⚠ PELIGRO:

No permita que ninguna parte del cable de alimentación de la podadora o cable de extensión se apriete o enrede al ensamblar o levantar los mangos. Si aprieta el cable de alimentación mientras está en uso, los mangos podrían electrificarse. El contacto con partes conductoras electrificadas puede resultar en la muerte por electrocución, descarga eléctrica o lesiones personales graves.

Para bajar el conjunto del mango:

- Afloje las tuercas de mariposa de bloqueo de la manija superior.

NOTA: Afloje las tuercas de mariposa del mango superior girándolas en sentido antihorario.

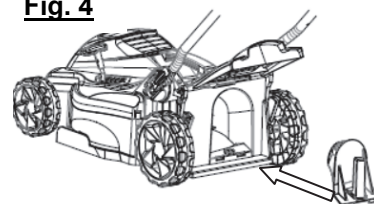
- Baje la manija superior (B). Evite pellizcar o atrapar cualquier cable de alimentación.
- Suelte el bloqueo de la manija inferior.
- Empuje hacia afuera en cada lado de la manija inferior hacia la parte frontal de la unidad. Evite pellizcar o atrapar cualquier cable de alimentación.

INSTALACIÓN DEL ENCHUFE DE ALMOHADILLA (Fig.4) (Para la operación de mulching)

NOTA: Cuando use el tapón de mulching, no instale el colector de césped.

- Desconecte la fuente de alimentación.
- Levante y sostenga la puerta de descarga trasera.
- Sujete el tapón de acolchado por su asa e insértelo en un ligero ángulo, como se muestra.
- Empuje el tapón de mulching con seguridad en su lugar.
- Puerta de descarga trasera inferior.
- Conéctese a la fuente de alimentación cuando esté listo para cortar.

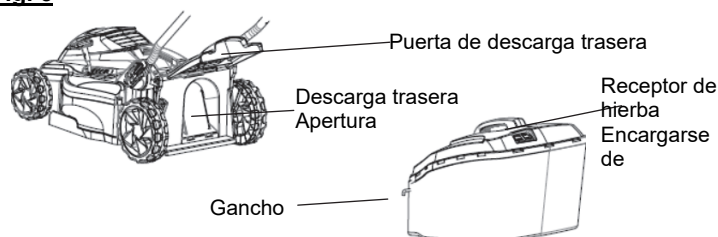
Fig. 4



INSTALACIÓN DEL RECEPTOR DE HIERBA (OPERACIÓN DE ENSACADO TRASERO)

Vea la figura 5 y 6

Fig. 5



MONTAJE

NOTA: Al usar el recogedor de césped, no instale el tapón de mulching.

Desconecte la fuente de alimentación.

Levante la puerta de descarga trasera.

Levante el recogedor de hierba por su manija y colóquelo debajo de la puerta de descarga trasera para que los ganchos del recogedor de hierba se asienten en las ranuras de la carcasa del cortacésped.

Suelte la puerta de descarga trasera.

Conéctese a la fuente de alimentación cuando esté listo para cortar.

AJUSTE DE LA ALTURA DE LA HOJA (Vea la figura 7)

Para enviarlas, las ruedas de la podadora se ajustan en una posición de corte bajo. Antes de usar la podadora por primera vez, ajuste la posición de corte a la altura más adecuada para su pasto. El pasto promedio debe tener una longitud de entre 38 mm (1-1/2 pulg.) y 51 mm (2 pulg.) durante los meses fríos, y entre 51 mm (2 pulg.) o más

durante los meses calurosos.

Para ajustar la altura de la hoja:

- Desconecte el suministro de alimentación.
- Para levantar la altura de la hoja, tome la palanca de ajuste de altura y muévala hacia la parte posterior de la podadora. A es el ajuste más alto de la cuchilla.
- Para bajar la altura de la hoja, tome la palanca de ajuste de altura y muévala hacia la parte delantera de la podadora. B es el ajuste de cuchilla más bajo.
- Vuelva a instalar el suministro de alimentación cuando esté listo para podar el pasto.

Fig. 6

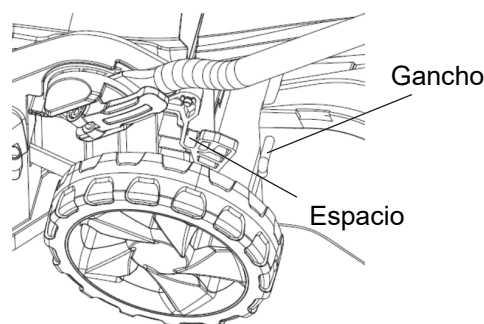
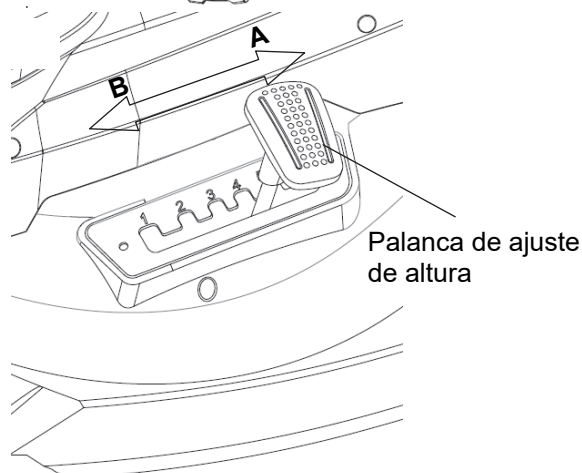


Fig. 7



FUNCIONAMIENTO

⚠ PELIGRO:

Existe riesgo de muerte o de lesiones físicas graves si se entra en contacto con las líneas de conducción o cables eléctricos. Nunca utilice la podadora sobre fuentes de electricidad, cables o alambres.

⚠ ADVERTENCIA:

No permita que la familiaridad con este tipo de productos termine en negligencia. Recuerde que un segundo de descuido es suficiente para provocar una lesión seria.

⚠ ADVERTENCIA:

Siempre utilice protección para los ojos con escudos laterales que cumplan con ANSI Z87.1. La inobservancia de esta advertencia puede causar el lanzamiento de objetos a los ojos, y por consecuencia posibles lesiones serias.

⚠ ADVERTENCIA:

No use accesorios no recomendados por el fabricante de este producto. El uso de accesorios no recomendados puede provocar lesiones corporales serias.

⚠ ADVERTENCIA:

Antes de cada uso, inspeccione todo el producto para detectar algún daño, partes faltantes o sueltas la hoja no esté dañada o desgastada. El funcionamiento de la podadora con piezas dañadas o faltantes puede ocasionar lesiones graves.

⚠ ADVERTENCIA:

Desconecte siempre el suministro de alimentación de la herramienta antes de instalar las piezas, realizar ajustes, limpiarla o cuando no la utilice evitará que la unidad se accione accidentalmente y provoque lesiones graves.

APLICACIONES:

Este producto puede utilizarse para el siguiente fin:

- Cortar el césped

⚠ ADVERTENCIA:

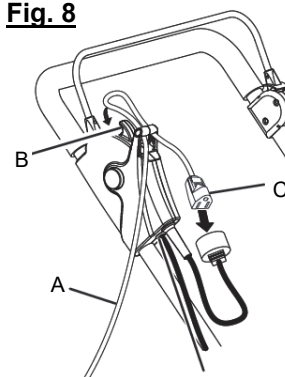
Para evitar un arranque accidental que podría causar lesiones corporales serias, siempre desconecte la podadora del suministro de corriente a fin de evitar arranques accidentales que pueden causar lesiones serias.

INSTALACIÓN / DESMONTAR DEL CORDONES DE EXTENSIÓN

Vea la figura 8

- Inserte el extremo hembra (C) del cable (A) de alimentación dentro del producto como se muestra.
- Conecte el extremo macho del cable de alimentación a la fuente de alimentación.
- Asegúrese de que el cable de alimentación esté asegurado antes de comenzar con el funcionamiento.

Fig. 8



FUNCIONAMIENTO

AVISO:

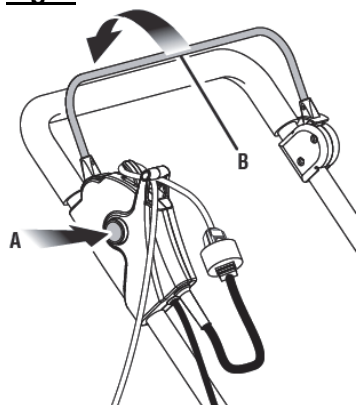
Siempre utilice un retén para cables de manera de conectar correctamente el cable de extensión a la podadora. Si no utiliza un retén para cables, puede dañar la podadora y/o el cable de extensión.

ENCENDIDO Y APAGADO DE LA PODADORA

Vea las figuras 9

- Conecte el suministro de alimentación.
- Oprima y no suelte el botón de arranque (A). Tire del palanca (B) hacia el mango y suelte el botón para arrancar la podadora.
- Para detener la podadora, suelte el palanca (B).

Fig. 9



SUGERENCIAS PARA EL PODADO

- Asegúrese de que el pasto no tenga piedras, nueces de árbol, palos, alambres ni otros objetos que puedan dañar las hojas o el motor de la podadora de pasto. No corte sobre estacas que indican los límites de la propiedad o sobre otros postes metálicos. Dichos objetos podrían ser dañados por la podadora en cualquier dirección y provocar lesiones serias al operador y a otras personas.
- Para tener un pasto saludable, siempre corte un tercio o menos de la longitud total de la hierba.
- Al cortar hierba frondosa, reduzca la velocidad mientras camina para poder obtener un corte más eficaz y una descarga adecuada de los recortes.
- No corte la hierba cuando esté mojada. Se pegará a la parte inferior del piso e impedirá evita el embolsado o la trituración adecuada del césped cortado.
- La hierba nueva o gruesa puede requerir un corte más bajo o una mayor altura de corte.
- Limpie la parte inferior del piso de la podadora después de cada uso para eliminar recortes de hierba, hojas, suciedad y otros desechos acumulados.

NOTA: Siempre detenga la podadora, permita que las hojas se detengan completamente y desconecte el suministro de alimentación antes de limpiar debajo de la podadora.

USO EN PENDIENTES

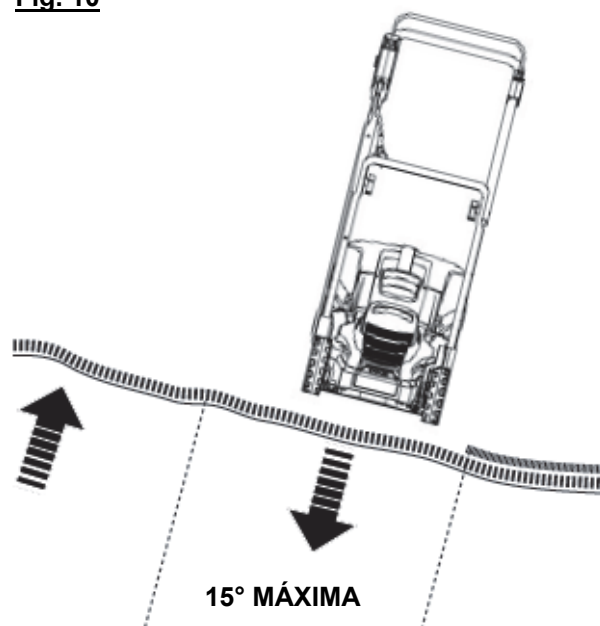
Vea la figura 10

⚠ ADVERTENCIA:

Las pendientes son una de las causas principales de accidentes por resbalones y caídas que pueden provocar lesiones graves. El uso en pendientes requiere precaución extra. Si se siente inseguro cuando tenga que cortar el césped en una pendiente, no lo haga. Para su seguridad, no intente cortar el césped en pendientes de más de 15 grados.

- En pendientes, corte el césped transversalmente, nunca hacia arriba o hacia abajo. Si cambia de dirección en pendientes, hágalo con extrema precaución.
- Tenga cuidado con los pozos, surcos, rocas, objetos ocultos o montículos que puedan provocar que se resbale o tropiece. El césped alto puede ocultar obstáculos. Retire todos los objetos, como rocas, ramas de árboles, etc. que puedan provocar tropezones o ser lanzados por la cuchilla.
- Siempre asegure su base de apoyo. Un resbalón y caída puede provocar lesiones corporales serias. Si siente que está perdiendo el equilibrio, suelte el cordón de control del interruptor inmediatamente.
- No utilice la cortadora cerca de precipicios, zanjas o terraplenes; podría perder su base de apoyo o el equilibrio.

Fig. 10



FUNCIONAMIENTO

CONSEJOS PARA EL TRITURADO

NOTA: Inspeccione el área donde usará la cortadora, retire todas las piedras, palos, cables, huesos y otros escombros que puedan lanzar las cuchillas giratorias.

- Libere la palanca del travesaño para APAGAR la cortadora cuando cruce por algún área con gravilla (pues la cuchilla puede lanzar las piedras).
- Configure la cortadora con la mayor altura de corte al cortar por terrenos irregulares o hierbas altas.
- Pase la cortadora con pasos regulares. Superponga las hileras de corte. No deje que el pasto crezca demasiado alto. Si el pasto está muy largo, comience en la posición más alta de corte y después bájela hasta la altura deseada.

⚠ ADVERTENCIA:

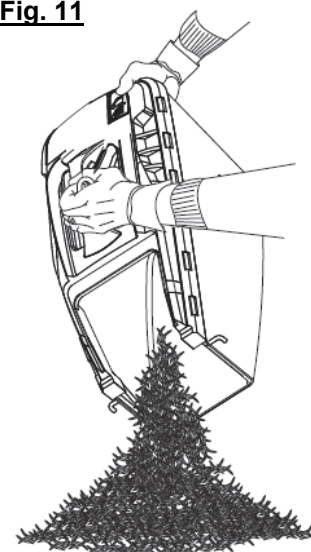
Si choca con un objeto extraño, detenga el motor y retire la batería. Examine detenidamente la cortadora para verificar si está dañada. Repare cualquier daño antes de usarla. La vibración excesiva de la cortadora durante el uso indica que hay daño. Examine detenidamente la cortadora y repare cualquier daño antes de volverla a usar.

Vaciado del receptor de hierba

Vea la figura 11

- Detenga la podadora, y espere a que las cuchillas se detengan por completo.
- Desconecte el suministro de alimentación.
- Levante la puerta de descarga posterior.
- Levante el receptor de césped del mango para retirarlo de la podadora.
- Vacíe los recortes de hierba.
- Levante la puerta trasera y reinstale el receptor de césped como se indicó anteriormente en este manual.
- Vuelva a instalar el suministro de alimentación cuando esté listo para podar el pasto.

Fig. 11



MANTENIMIENTO

⚠ ADVERTENCIA:

Al dar servicio a la unidad, asegúrese de que desconecte el suministro de corriente para evitar el arranque accidental y posibles lesiones graves.

⚠ ADVERTENCIA:

Siempre póngase protección ocular con protección lateral con la marca de cumplimiento de la norma ANSI Z87.1. Si no cumple esta advertencia, los objetos que salen despedidos pueden producirle lesiones serias en los ojos.

⚠ ADVERTENCIA:

Al efectuar el servicio técnico, use solo repuestos idénticos. El uso de otros repuestos puede provocar riesgos o dañar el producto.

AVISO:

Inspeccione periódicamente todo el producto para detectar partes dañadas, faltantes o sueltas, como tornillos, tuercas, pernos, tapas, etc. Apriete firmemente todos los sujetadores y las tapas y no accione este producto hasta que todas las partes faltantes o dañadas sean reemplazadas. Póngase en contacto con el servicio al cliente o con un centro de servicio autorizado para obtener ayuda.

MANTENIMIENTO GENERAL

Evite el empleo de solventes al limpiar piezas de plástico. La mayoría de los plásticos son susceptibles a diferentes tipos de solventes comerciales y pueden resultar dañados. Utilice paños limpios para eliminar la suciedad, el polvo, el aceite, la grasa, etc.

⚠ ADVERTENCIA:

No permita en ningún momento que fluidos para frenos, gasolina, productos a base de petróleo, aceites penetrantes, etc., lleguen a tocar las piezas de plástico. Las sustancias químicas pueden dañar, debilitar o destruir el plástico, lo cual a su vez puede producir lesiones corporales serias.

AVISO:

Nunca use una manguera, agua ni líquidos para limpiar la podadora de césped, ya que el agua y los líquidos podrían dañar los componentes electrónicos. Remueva la formación de pasto y hojas sobre o en torno a la cubierta del motor. Limpie la podadora con un trapo seco de manera ocasional.

Verifique periódicamente que todas las tuercas y los pernos estén bien ajustados para asegurarse de que el equipo funcione correctamente.

MANTENIMIENTO

LUBRICACIÓN

Todos los rodamientos de este producto están lubricados con suficiente cantidad de aceite de alta calidad para toda la vida útil de la unidad, en condiciones normales de funcionamiento. Por lo tanto, no se necesita lubricación adicional de los rodamientos.

⚠ ADVERTENCIA:

Siempre protéjase las manos usando guantes gruesos y/ o envolviendo los bordes de corte de la cuchilla con paños y otro material al realizar el mantenimiento de la cuchilla. De lo contrario, podría sufrir lesiones corporales serias.

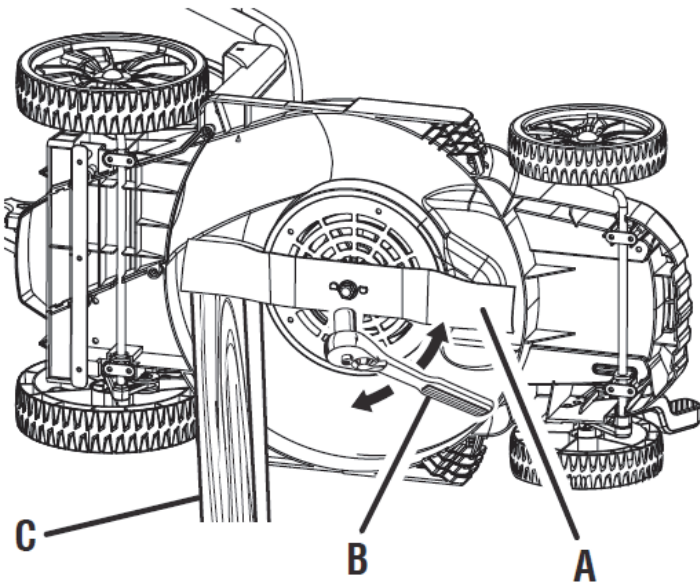
REEMPLAZO DE LA HOJA

Vea las figuras 12 y 13

NOTA: Utilice únicamente piezas de repuesto autorizadas.

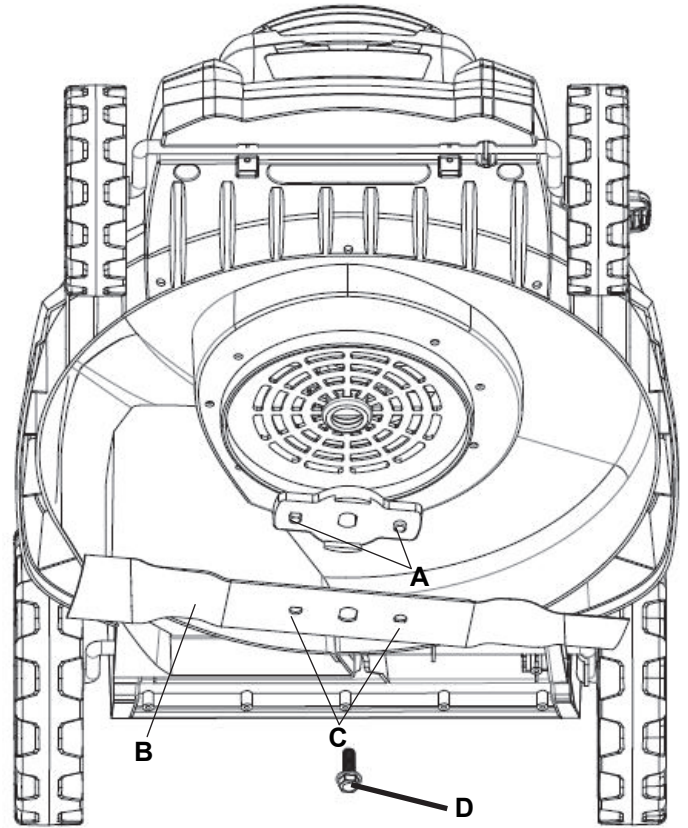
- Apague el motor. Permita que la hoja se detenga por completo.
- Desconecte el suministro de alimentación.
- Gire la podadora sobre su costado.

Fig. 12



- Introduzca a presión un bloque (C) de madera entre la hoja (A) y el piso de la podadora para evitar que la hoja gire.
- Afloje el tuerca de la hoja al girarlo a la izquierda (como se observa en la base de la podadora) usando una llave de arranque de tuercas o de boca tubular de 13 mm (B) (no se suministra).
- Retire la tuerca de la hoja y la hoja.

Fig. 13



- Coloque la hoja nueva (B) en el eje. Asegúrese de que la hoja esté correctamente asentada con los dos postes (A) insertados en los orificios (C) sobre la hoja. Asegúrese de que esté instalada con los extremos curvos orientados hacia arriba, donde está el piso de la podadora, y no hacia abajo, donde está el suelo. Si está asentada correctamente, la hoja permanecerá plana.
- Vuelva a colocar la hoja; luego, enrosque la tuerca de la hoja (D) en el eje y apriétela con los dedos.

NOTA: Asegúrese de volver a colocar todas las piezas en el orden exacto en que fueron retiradas.

- Apriete la tuerca de la hoja derecha usando una llave de arranque dinamométrica (no suministrada) para asegurar que la tuerca esté apretado correctamente. La fuerza de torsión recomendada para la tuerca de la hoja es de 350 – 400 lb-pulg.

⚠ ADVERTENCIA:

Asegúrese de que la hoja esté correctamente asentada y que la tuerca de la hoja esté ajustada según las especificaciones de par de torsión anteriores. Si no conecta la hoja correctamente, puede aflojarse y generar posibles lesiones personales graves.

MANTENIMIENTO

AFILADO DE LA CUCHILLA

Vea la figura 14

Para lograr un desempeño de corte óptimo, la cuchilla de la cortadora debe mantenerse afilada. Una cuchilla desafilada no corta el césped uniformemente y sobrecarga el motor. En circunstancias normales, afilar la cuchilla dos veces durante la temporada de corte suele ser suficiente. Sin embargo, si su césped tiene suelo arenoso, puede ser necesario afilarla con más frecuencia.

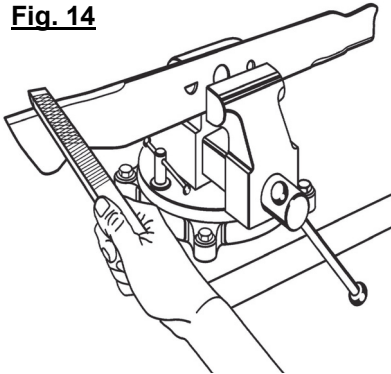
- Siga las instrucciones de la sección **Reemplazo de la cuchilla y retire la cuchilla de la cortadora**. NO intente afilar la cuchilla cuando está unida a la cortadora.

⚠ ADVERTENCIA:

Al retirarla, inspeccione la cuchilla con cuidado. Si está doblada o dañada, reemplácela inmediatamente por una nueva. No reemplazar una cuchilla doblada o dañada puede causar un accidente y, como consecuencia, posibles lesiones serias.

- Con una lima de diente fino o una piedra, afile los bordes de corte a ambos extremos de la cuchilla, eliminando igual cantidad de material de ambos extremos.

Fig. 14



EQUILIBRIO DE LA CUCHILLA

Vea la figura 15

Al afilarla, debe tenerse cuidado de mantener el equilibrio de la cuchilla. Una cuchilla desequilibrada causará una vibración excesiva cuando la cortadora esté funcionando. Esta vibración finalmente dañará la cortadora, especialmente el motor.

Para revisar el equilibrio de la cuchilla:

- Sujete horizontalmente un destornillador con una prensa, como se muestra.

NOTA: Si no dispone de ninguna prensa, también puede usar un clavo recto.

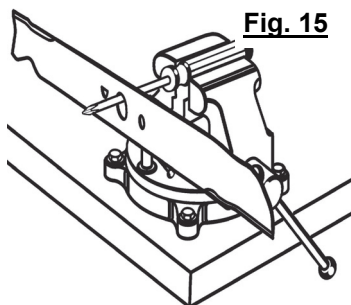


Fig. 15

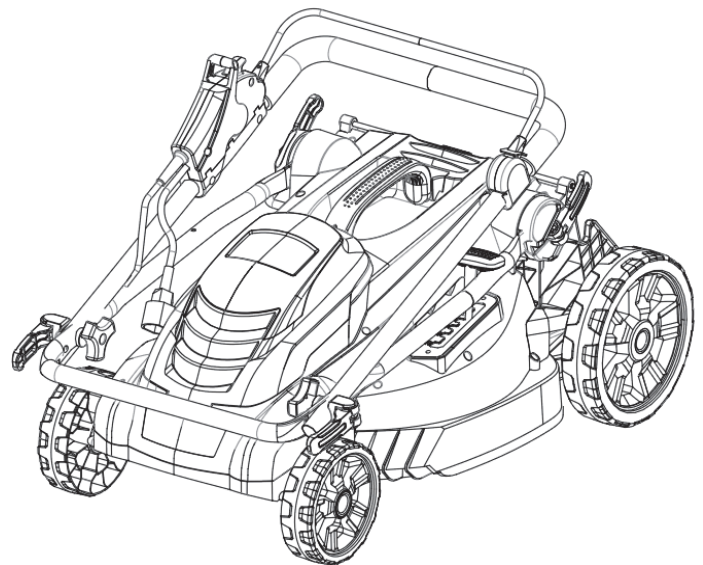
- Coloque el orificio central de la cuchilla en la pala del destornillador (o clavo).
- Si la cuchilla está equilibrada, permanecerá en posición horizontal. Si algún extremo de la cuchilla se cae, afile el lado más pesado hasta que la cuchilla esté equilibrada.

GUARDADO DE LA PODADORA

Vea la figura 16

- Desconecte el suministro de alimentación y almacena en una ubicación segura fuera del alcance de niños.
- Antes de guardar, limpie el polvo o los residuos del área de la batería.
- Gire la podadora sobre su costado y limpie los recortes de hierba que se acumularon en la parte inferior del piso de la podadora.
- Limpie la podadora con un paño seco.
- Verifique el apriete de todos los pernos, tuercas, perillas, tornillos, sujetadores, etcétera.
- Inspeccione las piezas móviles para ver si hay daños, rupturas y desgaste. Haga que reparen todas las piezas dañadas o faltantes. Verifique que la hoja no esté dañada o desgastada excesivamente en forma irregular y reemplácela si existen estas condiciones.
- Abaisser la ensemble de poignée como se indicó anteriormente en este manual.
- Guarde la podadora en el interior, en un lugar limpio y seco, lejos del alcance de los niños.
- No la guarde cerca de materiales corrosivos como fertilizantes o sal gema.

Fig. 16



SOLUCIÓN DE PROBLEMAS

Problema	Posibles causas	Solución
El mango no está bien encajado.	Los pernos con cabeza redonda no están asentados adecuadamente.	Ajuste la altura del mango y asegúrese de que los pernos con cabeza redonda estén asentados correctamente.
	Las perillas del mango no están ajustadas.	Ajuste las perillas del mango.
La cortadora no enciende.	La batería no está insertada completamente en la cortadora.	Revise la conexión entre la batería y la cortadora. Asegúrese de que la batería esté trabada en su lugar.
	La batería tiene poca carga.	Cargue la batería.
	La batería está defectuosa o no se carga.	Reemplace la batería.
	El interruptor está defectuoso.	Reemplace el interruptor.
El corte de césped es irregular.	Hay pasto atorado entre la plataforma y la cuchilla.	Extraiga la batería. Revise debajo de la plataforma para ver si hay atascos.
	El césped es duro o irregular.	Revise el área de corte.
Resulta difícil empujar la cortadora.	La altura de corte no es la adecuada.	Mueva las ruedas hasta una posición más elevada.
	Pasto elevado. La parte posterior de la caja de la cortadora y la cuchilla arrastran pasto pesado. La altura de corte es demasiado baja.	Eleve la altura de corte.
La cortadora vibra en velocidades altas.	La parte posterior del recolector de pasto está arrastrando pasto grueso.	Vacíe el recolector de pasto de los cortes de pasto.
	La cuchilla está desequilibrada.	Afile cada borde de corte de la cuchilla de igual manera para restablecer su equilibrio.
Motor se detiene mientras corta el césped.	Eje de motor doblado.	Detenga el motor, retire la batería y verifique si hay daños. Hágalo reparar por un centro de servicio técnico calificado antes de volver a encender la cortadora.
	La altura de corte es muy baja.	Levante la altura de corte.

LLÁMENOS PRIMERO !!

Si tiene preguntas sobre el funcionamiento o el mantenimiento de su producto al 1.800.633.1501, de 8:00 a 17:00, hora estándar del este, o obtener asistencia en www.americanlawnmower.com.

PIEZAS Y SERVICIO

Para solicitar repuestos o servicio técnico, llame al 1-800-633-1501 o visite nuestra página web www.americanlawnmower.com. Asegúrese de proporcionar toda la información relevante cuando nos llame o visite.

REPUESTOS (KITS / ARTÍCULOS)

El número de modelo/ de serie de esta herramienta se encuentra en una placa o etiqueta adjunta a la caja. Registre el número de serie en el espacio provisto a continuación.

MODELO N.º 50616

NÚMERO DE SERIE _____

Mencione siempre el serial del modelo cuando ordene kits para el mismo.

N.º	Número de kit/ Número de artículo	Descripción
1	50616/62016S-HK	Kit de hardware
2	50616/62016S-RBDK	Kit de puerta trasera para bolsa
3	50616-UHK	Kit de mango superior
4	50616/62016S-LHK	Kit de manija inferior
5	50616/62016S-GCK	Kit recogedor de césped

LLÁMENOS PRIMERO !!

Si tiene preguntas sobre el funcionamiento o el mantenimiento de su producto al 1.800.633.1501, de 8:00 a 17:00, hora estándar del este, o obtener asistencia en www.americanlawnmower.com.



MANUAL DEL OPERARIO

PODADORA ELÉCTRICA DE 406 mm (16 pulg.)

Copyright. Todos los derechos reservados.

Modelo 50616

POLÍTICA DE GARANTÍA

Garantía limitada de dos (2) años para el equipo para exteriores Earthwise.

Earthwise garantiza al propietario original que cada producto nuevo y pieza de repuesto está libre de defectos en el material y la mano de obra, y acepta reparar o reemplazar cualquier producto o pieza defectuosa durante el periodo de garantía según lo establecido anteriormente a partir de la fecha de compra original excepto en las condiciones y circunstancias que se indican a continuación:

La garantía se aplica solo al comprador original al menudeo y no puede transferirse.

La garantía se aplica si el producto está destinado para uso personal, doméstico o familiar. La garantía queda anulada si el producto se usa con fines comerciales, industriales o de alquiler.

La garantía no incluye reparaciones necesarias debido a abuso o negligencia por parte del operador (incluida la sobrecarga del producto que supere la capacidad o inmersión en el agua), o un error al montar, operar, mantener o almacenar el producto de acuerdo con las instrucciones del manual del operador.

Esta garantía no es transferible y solo se aplica a productos vendidos directamente por un distribuidor minorista autorizado. Esta garantía no se aplica a cualquier producto, nuevo o usado, adquirido a través de canales de terceros no autorizados.

CUALQUIER PÉRDIDA ACCIDENTAL, INDIRECTA O RESULTANTE, DAÑO O GASTO QUE PUEDA DERIVAR DE CUALQUIER DEFECTO, FALLA O MALFUNCIONAMIENTO DEL PRODUCTO NO ESTÁ CUBIERTO POR LA GARANTÍA. En algunos estados no se permite la exclusión o limitación sobre la duración de las garantías implícitas, en cuyo caso la limitación anterior no podría aplicarse.

Todos los reclamos de garantía deben estar acompañados por el comprobante de compra, el recibo de compra original con fecha.

Los productos que se venden dañados o incompletos, que se venden "tal como están" o reacondicionados no están cubiertos por esta garantía.

Los daños o inconvenientes causados por envío, manipulación inadecuada, montaje incorrecto, voltaje o cableado incorrecto, mantenimiento deficiente, modificaciones inadecuadas o el uso de accesorios o dispositivos de sujeción no recomendados específicamente no están cubiertos por esta garantía.

Elementos consumibles que se desgastan con el uso normal cubierto por la garantía.

La garantía no cubre los daños causados por el frío, el calor, la lluvia, la humedad excesiva, ambientes y materiales corrosivos u otros contaminantes.

La garantía no incluye instalación, montaje o ajustes normales tal como se explican en el manual del operador.

Los gastos de entrega del producto al proveedor y los gastos de devolución del producto o las piezas de repuesto al propietario no están cubiertos por esta garantía.

La garantía no cubre el deterioro normal del acabado exterior, que incluye pero no se limita a rayones, abolladuras, cascarillas de pintura o cualquier corrosión o decoloración ocasionada por el calor, limpiadores abrasivos o químicos.



American Lawn Mower Company
The Great States Corporation
7444 Shadeland Station Way
Indianapolis, IN 46256, Estados Unidos
Teléfono 1-800-633-1501
www.americanlawnmower.com

Con el compromiso constante de mejorar la calidad, el fabricante se reserva el derecho de modificar los componentes o realizar cambios de diseño cuando lo considere necesario.

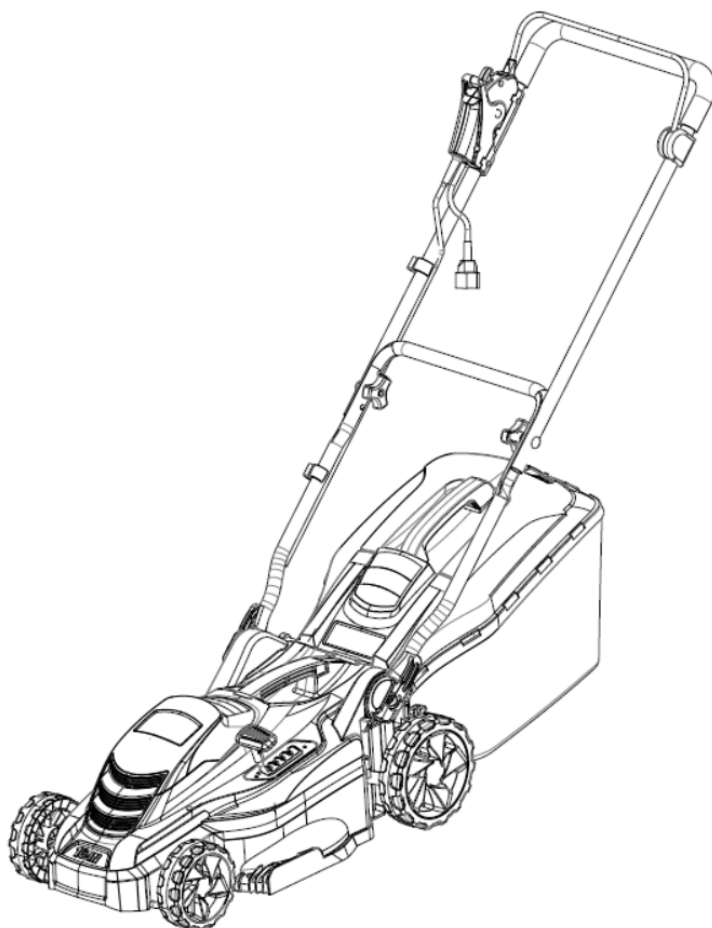
Rev. 12/03/20



MANUEL DE L'UTILISATEUR

TONDEUSE ELECTRIQUE DE 406 mm (16 po)

MODÈLE 50616



800951

Votre tondeuse a été conçue et fabriquée selon nos normes élevées de fiabilité, de facilité d'utilisation et de sécurité de l'utilisateur. Correctement entretenue, elle vous procurera des années de service intensif et sans souci.

⚠ AVERTISSEMENT : Afin d'éviter de se blesser, l'utilisateur doit lire et comprendre le manuel de l'utilisateur avant d'utiliser ce produit.

Merci pour votre achat.

NE RENVOYEZ PAS CE PRODUIT AU MAGASIN. AVEZ-VOUS DES QUESTIONS CONCERNANT LE FONCTIONNEMENT, L'ASSEMBLAGE, LES PIÈCES OU LA RÉPARATION DU PRODUIT? ALLEZ SUR WWW.AMERICANLAWNMOWER.COM, OU COMPOSEZ LE 1-800-633-1501 DE 8 h 00 à 17 h 00, HNE, POUR OBTENIR DE L'AIDE.

CONSERVEZ CE MANUEL POUR POUVOIR LE CONSULTER ULTÉRIEUREMENT

TABLE DES MATIÈRES

• Introduction	2
• Instructions importantes concernant la sécurité	3-5
• Symboles	5-6
• Caractéristiques	6-7
• Assemblage.....	7-9
• Utilisation.....	9-11
• Entretien.....	11-13
• Dépannage.....	14
• Pièces et Service.....	15
• Garantie	Endos

INTRODUCTION

Ce produit contient plusieurs caractéristiques pour rendre son utilisation plus agréable et intéressante. La sécurité, la performance et la fiabilité ont été prioritaires lors de la conception de ce produit, le rendant facile d'entretien et d'utilisation.

RÉPARATION :

La réparation demande des précautions et des connaissances extrêmes et doit seulement être effectuée par un technicien d'entretien qualifié. Pour la réparation, nous vous suggérons de retourner le produit à votre **CENTRE D'ENTRETIEN AUTORISÉ** le plus près. N'utilisez que des pièces de rechange identiques lors de l'entretien.

AVERTISSEMENT :

Afin d'éviter les blessures graves, n'essayez pas d'utiliser ce produit avant d'avoir lu et entièrement compris le manuel de l'utilisateur. Si vous ne comprenez pas les avertissements et les instructions dans le manuel de l'utilisateur, n'utilisez pas ce produit. Appelez le service à la clientèle Earthwise pour obtenir de l'aide.



AVERTISSEMENT :



L'utilisation de tout outil électrique peut entraîner la projection de corps étrangers dans les yeux, aboutissant en de graves dommages oculaires. Avant de commencer l'utilisation de l'outil électrique, portez toujours des lunettes de sécurité avec des écrans latéraux et, si besoin est, un écran facial complet. Nous recommandons l'écran facial à vision élargie pour être utilisé sur des lunettes ou des lunettes de sécurité standards avec écrans latéraux. Portez toujours une protection oculaire qui est marquée conforme avec la norme ANSI Z87.1.

APPELEZ-NOUS D'ABORD

Pour toute question sur l'utilisation ou l'entretien de votre produit, appelez la Ligne d'aide Earthwise! 1-800-633-1501
Votre produit a été complètement testé avant son expédition pour s'assurer de votre totale satisfaction.

CONSERVEZ CES INSTRUCTIONS

INSTRUCTIONS IMPORTANTES CONCERNANT LA SÉCURITÉ

AVERTISSEMENT :

LISEZ ET COMPRENEZ TOUTES LES INSTRUCTIONS

Le non-respect des instructions indiquées ci-dessous et sur l'appareil peut entraîner des chocs électriques, un incendie et/ou des blessures graves.

LIRE TOUTES LES INSTRUCTIONS

- Cette tondeuse est capable d'amputer les mains et les pieds et de projeter des objets au loin. Le non-respect de l'ensemble des instructions de sécurité peut entraîner des blessures graves, voire mortelles.
- Évitez les environnements dangereux - N'utilisez pas la tondeuse dans un environnement humide et ne l'utilisez pas sous la pluie.
- Faire fonctionner cet appareil ne doit être permis qu'aux adultes responsables et familiers avec les instructions.
- Maintenez la zone libre de passants, d'enfants et d'animaux lorsque vous tondez la pelouse. Éteignez l'appareil si quiconque pénètre dans la zone de coupe.
- Des accidents tragiques peuvent se produire si l'opérateur n'est pas conscient de la présence d'enfants. Très souvent, la tondeuse et son activité attirent les enfants. Ne présumez pas que les enfants demeureront à l'endroit où vous les avez vus la dernière fois.
 - * Tenez les enfants à l'écart de la zone de coupe et sous la surveillance vigilante d'un adulte responsable autre que l'utilisateur de la tondeuse.
 - * Soyez vigilant et éteignez la tondeuse si un enfant entre dans la zone de coupe.
 - * Ne permettez jamais à un enfant d'utiliser la tondeuse.
 - * Soyez très prudent lorsque vous approchez de virages sans visibilité, d'arbustes, d'arbres ou d'autres objets qui peuvent bloquer votre vue de la présence possible d'un enfant.
- Porter une tenue appropriée - Ne portez pas de vêtements amples ou de bijoux lorsque vous tondez. Ceux-ci risquent en effet d'être happés par les pièces en mouvement. L'utilisation de gants en caoutchouc et de chaussures de protection est recommandée pour les travaux à l'extérieur.
- Ne pas travailler hors de portée - Conservez une prise de pied ferme et un bon équilibre. N'essayez pas d'atteindre trop loin. Essayer d'atteindre trop loin peut entraîner une perte d'équilibre.
- N'utilisez pas la tondeuse lorsque vous êtes pieds nus ou si vous portez des sandales ou des chaussures légères. Utilisez des chaussures de protection qui protégeront vos pieds et qui amélioreront votre prise de pied sur les surfaces glissantes.
- Ne laissez pas la tondeuse sans surveillance si cette dernière fonctionne.
- Gardez les mains et les pieds éloignés de la zone de coupe. Restez à l'écart de l'ouverture d'éjection en tout temps.
- N'utilisez la tondeuse qu'à la lumière du jour ou sous un bon éclairage artificiel.
- Porter des lunettes de sécurité - Portez toujours des lunettes de sécurité avec des écrans latéraux. Les lunettes ordinaires n'ont que des lentilles résistantes aux impacts. Ce ne sont PAS des lunettes de sécurité. Respecter cette règle réduira les risques d'une blessure oculaire. Portez un masque facial si l'environnement est poussiéreux.
- Portez des lunettes de sécurité avec une marque de conformité à la norme ANSI Z87.1 lorsque vous utilisez la tondeuse.
- Utilisez le bon appareil. N'utilisez pas la tondeuse pour réaliser un travail pour lequel elle n'est pas conçue.
- Ne forcez pas la tondeuse. La tondeuse fonctionne mieux et de façon plus sûre à la vitesse pour laquelle elle a été conçue.
- Restez vigilant, gardez à l'œil ce que vous faites et faites preuve de bon sens lorsque vous utilisez la tondeuse. N'utilisez pas la tondeuse si vous êtes fatigué ou sous l'influence de médicaments, de drogues ou d'alcool. Lors de l'utilisation de la tondeuse, un moment d'inattention peut entraîner des blessures graves.
- Faire l'entretien de la tondeuse avec soins — Gardez l'outil en bon état. Assurez-vous que les lames soient affûtées et que les dispositifs de protections soient en place et en état de fonctionnement. Remplacer les lames endommagées ou usées de façon inégale avant d'utiliser la tondeuse d'obtenir un rendement optimal.
- Vérifiez fréquemment si tous les écrous, boulons et vis sont serrés pour s'assurer que l'équipement est sécuritaire. Les lames de tondeuse sont tranchantes. Envelopper la lame ou porter des gants et prendre beaucoup de précautions lors de l'entretien.
- Arrêter le moteur, attendre que la lame s'arrête complètement et déconnectez la fiche de la source de courant avant de nettoyer la tondeuse, d'enlever le collecteur d'herbe ou retrait du capuchon du broyeur. Ne jamais utiliser de tuyau, d'eau ou de liquides pour nettoyer la tondeuse, puisque l'eau et les liquides peuvent endommager les composants électroniques. Retirer toute accumulation d'herbe et de feuilles sur et autour du capot du moteur. Essuyer la tondeuse de temps en temps avec un linge sec.
- Remplacer la lame si elle est pliée ou fissurée. Une lame déséquilibrée provoque des vibrations qui peuvent endommager le moteur de l'appareil et provoquer des blessures. Affûter également les extrémités de la lame émoussée afin de maintenir l'équilibre. Nettoyer complètement la lame et vérifier son équilibre en la déposant à l'horizontale et en plaçant l'orifice du centre sur un petit clou. Le clou doit être placé à l'horizontale. Si l'une des extrémités de la lame tourne vers le bas, enlever un peu de métal de la partie épaisse inférieure de la lame jusqu'à ce que celle-ci soit équilibrée. Une lame équilibrée lorsqu'aucune extrémité n'est inclinée.
- Quand la tondeuse n'est pas utilisée, elle devrait être entreposée à l'intérieur, dans un endroit sec et sécuritaire — loin de la portée des enfants.
- Toujours, utiliser des dispositifs de protection. N'utilisez pas la tondeuse sans le collecteur d'herbe ou le capuchon du broyeur et porte arrière de décharge en place et fonctionne correctement.
- Suivez les instructions du fabricant relatives à l'installation et l'utilisation des accessoires. Utilisez seulement des accessoires approuvés par le fabricant.
- Pour réduire le risque de décharge électrique, ce produit est muni d'une fiche polarisée (une lame plus large que l'autre) devant être utilisée avec un cordon prolongateur polarisé. La clavija del artefacto encaja en el cordón de extensión polarizado solo en una dirección. Si la fiche ne s'insère pas complètement dans le cordon prolongateur, l'inverser. Si la fiche ne peut toujours pas être insérée, se procurer un cordon prolongateur polarisé approprié. Un cordon prolongateur polarisé exige l'utilisation d'une prise murale polarisée. Cette fiche peut être branchée à une prise murale polarisée d'une seule façon. Si la fiche ne s'insère pas complètement dans la prise, l'inverser. Si la fiche ne peut toujours pas être insérée, faire installer une prise murale adéquate par un électricien qualifié. Ne modifier en aucune façon la prise de l'appareil, le réceptacle du cordon prolongateur ou la fiche du cordon prolongateur.
- Les circuits utilisés avec la tondeuse devraient être munis d'un interrupteur de défaut à la terre. Des connecteurs avec un interrupteur de défaut à la terre sont disponibles et peuvent être utilisés pour satisfaire à cette mesure de sécurité.
- Inspecter périodiquement le cordon d'alimentation de la tondeuse. Si celui-ci est endommagé, le faire réparer à un centre de service autorisé. Inspecter régulièrement les cordons prolongateurs et les remplacer s'ils sont endommagés. Garder les mains propres, sèches, sans graisse ou lubrifiant.
- Avertissement — Pour réduire le risque de décharge électrique, utiliser seulement un cordon prolongateur conçu pour être utilisé à l'extérieure comme un cordon prolongateur portant les caractéristiques SW, SOW, STW, STOW, SJW, SJOW, SJTW, ou SJTOW.
- Cordon prolongateur — S'assurer que le cordon prolongateur est en bon état. Si un cordon prolongateur est utilisé, s'assurer que sa capacité est suffisante pour supporter le courant de fonctionnement de l'outil. Une rallonge avec un calibre de fils américain de 14 devrait être utilisée pour des longueurs inférieures à 15,2 m (50 pi). Un cordon de capacité insuffisante causerait une baisse de la tension de ligne, entraînant une perte de puissance et une surchauffe. Utiliser un dispositif de retenue de cordon pour diminuer le débranchement fréquent du cordon et de la fiche de la tondeuse à gazon pendant son utilisation.
- Dans des conditions normales d'utilisation, le sac à herbe est sujet à la détérioration et l'usure et doit être vérifié fréquemment pour le remplacement. Utiliser seulement les assemblages de bac à herbe de remplacement identiques.
- Ne pas maltraiter le cordon d'alimentation - Ne jamais tirer ou débrancher brusquement la fiche de la prise de la tondeuse à gazon. Garder le cordon à l'écart de la chaleur, de l'huile et des objets tranchants.
- Un contact peut se produire entre les fils ou les câbles électriques et représente un risque de blessures graves ou mortelles. Ne jamais passer la tondeuse sur des sources, câbles ou fils électriques.
- Nettoyez la zone de travail avant chaque utilisation. Enlevez tous les objets tels que les roches, noix d'arbres, les branches, métal, les fils, les os, les jouets et d'autres objets qui peuvent être projetés par la lame. Restez en arrière de la poignée quand le moteur est en marche.

INSTRUCTIONS IMPORTANTES CONCERNANT LA SÉCURITÉ

- Évitez les trous, les ornières, les roches, bornes de propriété ou d'autres objets cachés. Un terrain accidenté pourrait provoquer un glissement et vous faire tomber par accident.
- Ne tondez pas près des dépressions, fossés ou des berges.
- Tondez les pentes dans le sens transversal, jamais en montant ou en descendant. Soyez particulièrement prudent lors des changements de direction sur les terrains en pente.
- Planifiez le parcours de la tondeuse pour éviter d'éjecter les matériaux sur les routes, les trottoirs, les passants, etc. Évitez également d'éjecter les matériaux sur un mur ou une obstruction ce qui pourrait causer un matériau d'être projeté par ricochet en direction de l'opérateur.
- Ne tondez pas l'herbe mouillée ou sur des pentes excessivement raides. Une mauvaise position peut vous faire glisser et tomber par accident. Marchez, ne courez jamais.
- Redoublez la prudence si vous vous approchez des coins, des arbustes, des arbres ou d'autres objets qui vous cachent la vue.
- Ne tirez jamais la tondeuse vers l'arrière à moins que cela soit absolument nécessaire. Si vous devez tirer la tondeuse pour éviter un mur ou une obstruction, commencez par regarder en bas et en arrière pour ne pas trébucher o tirando la podadora hacia los pies.
- N'éjectez jamais du matériel en direction de quelqu'un. Évitez d'éjecter le matériel sur un mur ou une obstruction. Le matériel pourrait être projeté par ricochet en direction de l'opérateur. Arrêtez la lame quand vous traversez des surfaces recouvertes de gravier.
- Des objets frappés par la lame de la tondeuse peuvent causer des sérieuses blessures. La pelouse devrait toujours être examinée attentivement et nettoyée de tout objet avant la tondaison.
- Si la tondeuse frappe un objet étranger, suivez ces étapes :
 - * Arrêter la tondeuse en relâchant l'levier de commande de la lame, attendre que la lame s'arrête complètement et débranchez la tondeuse de la source de courant.
 - * Inspectez attentivement la tondeuse pour desceller les dommages.
 - * Remplacer la lame si elle est endommagée de quelque façon que ce soit Réparez tout dommage avant de démarrer et de continuer à utiliser la tondeuse.
- Arrêter le moteur, attendre que la lame s'arrête complètement et débranchez la tondeuse de la source de courant avant de déboucher la goulotte. La lame continue de tourner pendant quelques secondes après que le moteur soit arrêté. Ne mettez jamais aucune partie du corps dans la proximité de la lame avant d'être certain que la lame a cessé de tourner.
- Si la tondeuse commence à vibrer de façon anormale, arrêtez le moteur, débranchez la tondeuse de la source de courant et vérifiez immédiatement la cause. Remplacer la lame si elle est usée de façon inégale ou endommagée de quelque façon que ce soit. La vibration est généralement un signe d'un problème.
- Le produit doit être réparé par un personnel qualifié seulement. Des réparations ou l'entretien effectués par un personnel non qualifié pourrait résulter en des blessures pour l'utilisateur ou endommager le produit.
- Lors de réparation du produit, utilisez uniquement des pièces de remplacement identiques. Utiliser uniquement des lames de rechange identiques. L'utilisation des pièces non autorisées peut créer un risque d'une blessure sérieuse à l'utilisateur ou endommager le produit.
- Conserver ou remplacer les étiquettes d'instructions de sécurité, si nécessaire.
- Débrancher la fiche de la source de courant — Débrancher l'appareil de la source d'alimentation avant d'entreposer, d'effectuer l'entretien, ou de changer les accessoires comme la lame. Ces mesures de sécurité réduisent les risques de démarrage accidentel de l'outil.
- Arrêter l'produit, déconnectez la fiche de la source de courant lorsqu'il n'est pas utilisé. Attendre ou mettre l'arrêt complet du moteur avant de déplacer l'produit.
- Ranger les appareils qui ne sont pas utilisés à l'intérieur – lorsque la tondeuse n'est pas utilisé, le ranger à l'intérieur dans un endroit sec et verrouillé hors de la portée des enfants. Le cordon prolongateur doivent être retirés et rangés dans un autre endroit et hors de la portée des enfants.
- Suivre les instructions de lubrification et de changement d'accessoires.
- Maintenir les dispositifs de protection en place et en bon état de fonctionnement.
- Garder les lames affûtées.
- Éloigner les mains et les pieds de la zone de coupe.
- Faire fonctionner cet appareil ne doit être permis qu'aux adultes responsables et familiers avec les instructions.
- Ne jamais faire fonctionner l'appareil dans un endroit clos.
- Ne jamais modifier les dispositifs de sécurité. Vérifier périodiquement l'état de fonctionnement.
- Conserver ces instructions. Les consulter fréquemment et les utiliser pour instruire les autres utilisateurs éventuels. Si cet outil est prêté, il doit être accompagné de ces instructions.

SÉCURITÉ GÉNÉRALE

DOUBLE ISOLATION – Le tondeuse est doté d'une double isolation. Autrement dit, toutes les pièces externes en métal sont isolées de l'alimentation électrique. Ce résultat est obtenu en introduisant une couche isolante entre les pièces électriques et mécaniques. Cette double isolation vous assure la plus grande sécurité possible.

⚠ **AVERTISSEMENT :**

Le système à double isolation est conçu pour protéger l'utilisateur contre les chocs électriques causés par une rupture de l'isolation interne de l'outil. Prendre toutes les précautions de sécurité normales pour éviter les chocs électriques.

GFCI

Les circuits et prises sur lesquels cet produit est branché doivent être protégés par un disjoncteur différentiel. Des prises à disjoncteur différentiel en vente dans le commerce et peuvent être utilisées à titre de sécurité.

RALLONGE – Assurez-vous que la rallonge est en bon état. Lors de l'utilisation d'une rallonge, assurez-vous qu'elle est d'un calibre suffisant pour transmettre le courant appelé par le produit. Une rallonge de calibre insuffisant provoquera une baisse de tension qui entraînera une perte de puissance et une surchauffe. Le tableau suivant montre le calibre correct à utiliser en fonction de la longueur du câble et de l'intensité nominale de la plaque signalétique. En cas de doute, utilisez le calibre immédiatement supérieur. Plus le numéro de calibre est bas, plus le câble est lourd.

⚠ AVERTISSEMENT : Utilisez des rallonges extérieures marquées SW-A, SOW-A, STW-A, STOW-A, SJW-A, SJTWA ou SJTOWA. Ces câbles sont conçus pour une utilisation extérieure et réduisent le risque de décharge électrique.

		Calibre minimum pour les ensembles de câbles			
		Volts	Longueur totale du câble en pieds		
120V		0-25	26-50	51-100	101-150
Intensité nominale		Calibre américain (AWG)			
Supérieure à	Inférieure à				
0	- 6	18	16	16	14
6	- 10	18	16	14	12
10	- 12	16	16	14	12
12	- 16	14	12	Non recommandé	

Il est possible de nouer la rallonge et le câble d'alimentation afin de les empêcher de se déconnecter pendant l'utilisation. Effectuez le nœud comme illustré, branchez ensuite la prise du câble d'alimentation dans l'extrémité femelle de la rallonge. Cette méthode peut également être utilisée pour raccorder deux rallonges ensemble.



⚠ **AVERTISSEMENT :**

Maintenir le cordon prolongateur à l'écart de la zone de travail. Lors du travail avec un cordon électrique, placer le cordon de manière à ce qu'il ne risque pas de se prendre dans les pièces de bois, produits et autres obstacles. Ne pas prendre cette précaution peut entraîner des blessures graves.

Vérifier l'état des cordons prolongateurs avant chaque utilisation. Remplacer immédiatement tout cordon endommagé. Ne jamais utiliser un produit dont le cordon d'alimentation est endommagé, car tout contact avec la partie endommagée pourrait causer un choc électrique et des blessures graves.

SÉCURITÉ GÉNÉRALE

AVERTISSEMENT : L'État de la Californie considère que des poussières et débris créés par l'utilisation de cet outil sont susceptibles de contenir des produits chimiques qui sont cancérigènes et à l'origine de malformations congénitales ou d'autres troubles de l'appareil reproducteur. Voici certains exemples de tels produits chimiques :

- * les produits chimiques contenus dans les engrais
- * les composés contenus dans les insecticides, les herbicides et les pesticides
- * l'arsenic et le chrome du bois traité chimiquement

Votre risque d'exposition à ces produits chimiques varie en fonction de la fréquence à laquelle vous effectuez ce type de travail. Afin de réduire l'exposition à ces produits chimiques, travaillez dans un endroit bien aéré et portez un équipement de sécurité homologué, comme un masque anti-poussière spécialement conçu pour filtrer les particules microscopiques.

AVERTISSEMENT : Proposition 65 de l'État de la Californie : L'État de la Californie considère que certains produits chimiques contenus dans cet appareil sont à l'origine de cancers, de malformations congénitales et d'autres troubles de l'appareil reproducteur.

AVERTISSEMENT: Cancer ET Troubles de l'appareil reproducteur - www.P65Warnings.ca.gov.

SYMBOLES

Les termes de mise en garde suivants et leur signification ont pour but d'expliquer le degré de risques associé à l'utilisation de ce produit.




SYMBOLE	MOT-INDICATEUR	SIGNIFICATION
	DANGER	Indique une situation dangereuse immédiate qui, si non évitée, entraînera la mort ou des blessures graves.
	AVERTISSEMENT	Indique une situation dangereuse potentielle qui, si non évitée, peut entraîner la mort ou des blessures graves.
	ATTENTION	Indique une situation dangereuse potentielle qui, si non évitée, peut entraîner des blessures mineures ou modérées.
	AVIS	(Sans le symbole d'Avis de sécurité) Indique une situation qui peut entraîner des dommages aux biens.

Certains des symboles suivants peuvent apparaître sur ce produit. Examinez-les et apprenez leur signification. Une interprétation correcte des symboles vous permettra d'utiliser ce produit plus efficacement et de façon plus sécuritaire.

SYMBOLE	NOM	APPELLATION / EXPLICATION
	Symbole d'alerte de sécurité	Indique un risque de blessure potentiel.
	Lire manuel d'utilisation	Pour réduire les risques de blessures, l'utilisateur doit lire et veiller à bien comprendre le manuel d'utilisation avant d'utiliser ce produit.
	Protection oculaire	Toujours porter une protection oculaire munie d'écrans latéraux certifiée conforme à la norme ANSI Z87.1.
	Ne jamais tondre le gazon en passant sur les câbles électriques.	Un contact peut se produire entre les fils ou les câbles électriques et représente un risque de blessures graves ou mortelles. Ne jamais passer la tondeuse sur des sources, câbles ou fils électriques.
	Avis de conditions mouillées	N'exposez pas à la pluie et ne l'utilisez pas dans des endroits humides.
	Choc électrique	Ne pas utiliser la machine dans un endroit sec ou ne pas respecter les pratiques de sécurité peut entraîner un choc électrique.
	Garder les mains et les pieds à l'écart	Garder les mains et les pieds à l'écart de la lame et de la zone de coupe.
	Se tenir loin	Ne pas mettre ses mains ou ses pieds en dessous du châssis de la tondeuse.
	Éviter les pentes	Ne pas utiliser sur des pentes de plus de 15°. Tondre les pentes dans le sens transversal, jamais en montant ou en descendant.
	Tenir les enfants et les curieux à bonne distance	Tenir les enfants et les curieux à une distance de 30,5 m (100 pi) au moins.

SYMBOLES

Certains des symboles suivants peuvent apparaître sur ce produit. Examinez-les et apprenez leur signification. Une interprétation correcte des symboles vous permettra d'utiliser ce produit plus efficacement et de façon plus sécuritaire.

SYMBOLE	NOM	APPELLATION / EXPLICATION
	Ricochet	Les objets projetés peuvent ricocher et infliger des blessures ou causer des dommages matériels.
V	Volts	Tension
A	Ampères	Courant
Hz	Hertz	Fréquence (cycles par seconde)
W	Watt	Puissance
hrs	Heures	Heure
	Courant alternatif	Type de courant
	Construction de classe II	Construction à double isolation

CARACTÉRISTIQUES

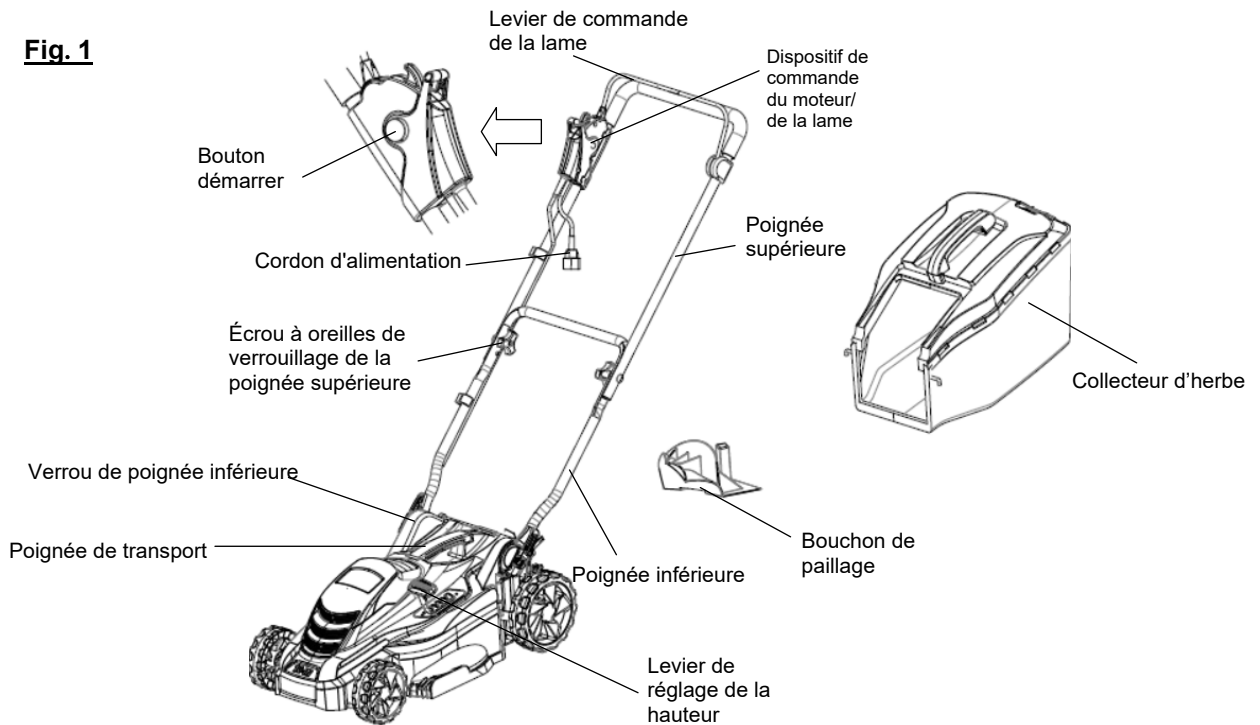
SPÉCIFICATIONS DU PRODUIT

Modèle 50616

Moteur 120V, CA uniquement, 60Hz, 12 ampères
 Chemin de coupe 406mm (16 po.)

Réglages de la hauteur.....35mm à 85mm
 (1.4 po. à 3.3 po.)
 Dimension de la roue.....140 mm (5.5 po) à l'avant
 178 mm (7 po) à l'arrière

Fig. 1



CARACTÉRISTIQUES

CONNAÎTRE VOTRE TONDEUSE À GAZON

Voir la figure 1

L'utilisation sécuritaire de ce produit demande une compréhension des informations associées ainsi que celles contenues dans ce manuel de l'utilisateur, en plus d'une connaissance du projet que vous avez en tête. Avant d'utiliser ce produit, familiarisez-vous avec toutes les caractéristiques de fonctionnement et les règles de sécurité.

HAUTEUR DE LA POIGNÉE RÉGLABLE

La poignée comporte trois réglages de hauteur différents.

POIGNÉE DE TRANSPORT

La tondeuse comporte une poignée qui facilite le transport.

RETENUE DE CORDON

Une retenue de cordon pratique contribue au maintien en toute sécurité de la connexion du cordon prolongateur lors du fonctionnement de la taille-bordures à ligne.

SAC À HERBE

Le sac à herbe empêche l'herbe coupée d'être projetée sur votre pelouse alors que vous tondez.

LEVIER DE RÉGLAGE DE LA HAUTEUR

Le levier de réglage de la hauteur permet de régler la hauteur de coupe.

DISPOSITIF DE COMMANDE DU MOTEUR / DE LA LAME

Le dispositif de commande du moteur/lame situé sur la poignée supérieure de la tondeuse démarre et arrête le moteur et la lame.

MULCHINGPLUG

Votre tondeuse est équipée d'un bouchon de broyage qui recouvre l'ouverture de décharge arrière, ce qui permet à la lame de tondeuse de couper et de recouper des boutures plus fines.

ASSEMBLAGE

DÉBALLAGE

Ce produit requiert un assemblage.

- Enlevez avec précaution le produit et les accessoires du carton. Assurez-vous que tous les éléments figurant dans la liste du contenu soient inclus.

⚠ AVERTISSEMENT :

Ne pas utiliser le produit si, en le déballant, vous constatez que des éléments figurant dans la liste d'expédition sont déjà assemblés. Certaines pièces figurant sur cette liste n'ont pas été assemblées par le fabricant et exigent une installation. Le fait d'utiliser un produit qui a été assemblé de façon inadéquate peut entraîner des blessures.

- Inspectez soigneusement le produit pour vous assurer que rien n'ait été cassé ou endommagé pendant le transport.
- Ne jetez pas le matériau d'emballage tant que vous n'avez pas soigneusement inspecté et utilisé le produit de façon satisfaisante.
- Si des pièces sont endommagées ou manquantes, veuillez appeler le 1-800-633-1501 pour obtenir de l'aide.

⚠ AVERTISSEMENT :

Si des pièces sont endommagées ou manquantes, n'utilisez pas ce produit tant qu'elles ne sont pas remplacées. Le non-respect de cette consigne peut entraîner des blessures graves.

⚠ AVERTISSEMENT :

N'essayez pas de modifier cet outil ou de créer des accessoires non recommandés pour utilisation avec ce produit. Toute transformation ou modification de ce genre est un cas de mauvais usage qui peut créer des risques de blessures graves.

⚠ AVERTISSEMENT :

Ne connectez la fiche de la source de courant complétant l'assemblage vous êtes prêt à tondre. Le non respect de cet avertissement pourrait résulter en un démarrage accidentel et des blessures corporelles graves.

⚠ AVERTISSEMENT :

Pour empêcher un démarrage accidentel, n'effectuez pas de réglage ou d'installation quelconque avec la clé de contact insérée ou les batteries installées.

⚠ AVERTISSEMENT :

N'utilisez jamais la tondeuse sans que les dispositifs de sécurité ne soient correctement en place et fonctionnels. N'utilisez jamais la tondeuse avec des dispositifs de sécurité endommagés. Le fait d'utiliser la tondeuse si des pièces sont manquantes ou endommagées peut entraîner des blessures graves.

LISTE DU CONTENU

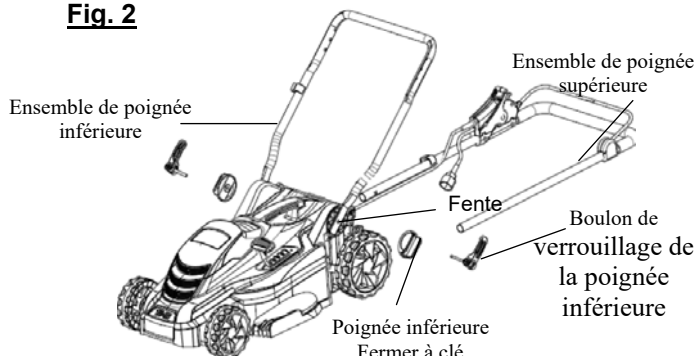
Description	Quantité
Tondeuse	1
L'assemblage de poignée supérieure	1
Poignée inférieure	1
Sac à herbe	1
Bouchon de paillage	1
Serrures de poignée inférieure	2
Boulons de verrouillage de la poignée inférieure	2
Écrou à oreilles de la poignée supérieure	2
Boulons de verrouillage de la poignée supérieure	2
Manuel de l'utilisateur	1

ASSEMBLAGE

INSTALLATION ET AJUSTEMENT L'ASSEMBLAGE DE POIGNÉE

Voir la figure 2-3

Fig. 2



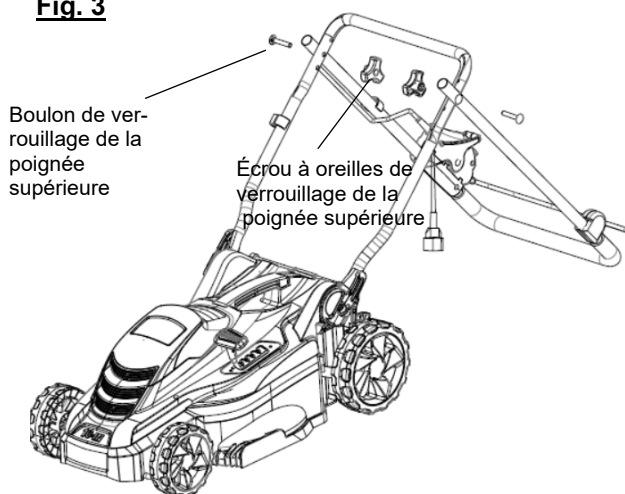
Pour installer l'assemblage de poignée inférieure :

- Localisez les verrous de la poignée inférieure et les boulons de la poignée.
- Placez la poignée supérieure derrière la tondeuse, comme indiqué.
- Alignez la poignée inférieure sur la fente du carter du moteur.

REMARQUE: Assurez-vous que le cordon d'alimentation est situé à l'intérieur et au-dessus de la poignée.

- Insérez le boulon de verrouillage de la poignée inférieure dans le verrou de la poignée inférieure et vissez-le dans le boîtier de la tondeuse jusqu'à ce que le verrou de la poignée inférieure soit à environ 1/4 po du boîtier de la tondeuse.
- Pour fixer la poignée inférieure en place, fermez le verrou de la poignée inférieure.
- Répétez pour l'autre côté.

Fig. 3



Pour installer l'assemblage de poignée supérieure :

Positionnez la poignée supérieure par-dessus la poignée inférieure, comme indiqué sur la Fig.3, puis insérez le boulon de verrouillage de la poignée supérieure dans les trous des deux poignées.

NOTE : La poignée inférieure comprend trois trous de réglage pour ajuster la hauteur. S'assurer d'utiliser la même hauteur pour chaque côté.

- Vissez l'écrou à oreilles de verrouillage de la poignée supérieure sur le boulon de verrouillage.

- Répéter pour l'autre côté.
- Tirer la poignée vers le haut et l'arrière pour la soulever en position de fonctionnement. S'assurer que la poignée supérieure repose contre les rainures situées au haut de la poignée inférieure.
- Pour fixer la poignée supérieure en place, serrez les écrous à oreilles de la poignée supérieure. Évitez de pincer ou de coincer les cordons d'alimentation.

NOTE : Si la poignée supérieure est lâche ou séparée de la poignée inférieure, serrez les écrous à oreilles sur les verrous de poignée supérieure en les tournant dans le sens des aiguilles d'une montre.

▲ DANGER :

Ne pas permettre au cordon d'alimentation de la tondeuse ou le rallonge de devenir pincés ou coincés lors de l'assemblage ou le soulèvement des poignées. Un cordon d'alimentation sous tension pincé peut produire une alimentation électrique aux poignées. Le contact avec des pièces conductrices d'alimentation électrique peut entraîner la mort par l'électrocution, un choc électrique et/ou des blessures graves.

Pour abaisser l'assemblage de poignées :

- Desserrez les écrous papillon de verrouillage de la poignée supérieure.

NOTE : Desserrez les écrous papillon sur la poignée supérieure en les tournant dans le sens antihoraire.

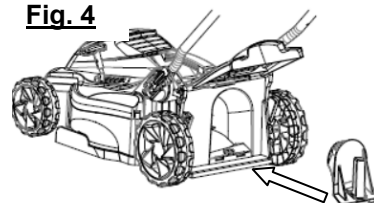
- Abaisser la poignée supérieure (B). Éviter de pincer ou de coincer les câbles.
- Relâchez le verrou de la poignée inférieure.
- Poussez vers l'extérieur de chaque côté de la poignée inférieure jusqu'à ce qu'elle soit libérée de la fente. Ensuite, rabattez la poignée vers l'avant de l'appareil. Évitez de pincer ou de coincer les cordons d'alimentation.

INSTALLATION DE LA FICHE DE BROyage (Fig.4) (Pour opération de paillage)

REMARQUE: lors de l'utilisation du bouchon mulching n'installez pas le bac à herbe.

- Débranchez l'alimentation.
- Soulevez et maintenez la porte de décharge arrière.
- Saisissez le bouchon de déchetage par sa poignée et insérez-le légèrement, comme indiqué.
- Poussez le bouchon de déchetage correctement en place.
- Abaissez la porte de décharge arrière.
- Connectez-vous à l'alimentation lorsque vous êtes prêt à tondre.

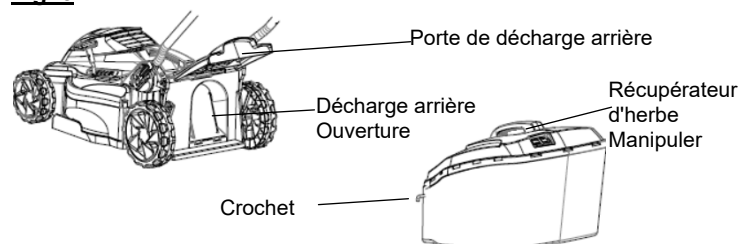
Fig. 4



INSTALLATION DU COLLECTEUR D'HERBE (POUR ARRIÈRE UTILISATION D'ENSACHAGE)

Voir les figures 5 et 6

Fig. 5



ASSEMBLAGE

REMARQUE: Lorsque vous utilisez le bac à herbe, n'installez pas le bouchon de déchiquetage.

- Débranchez l'alimentation.
- Soulevez la porte de décharge arrière.
- Soulevez le bac à herbe par sa poignée et placez-le sous la porte de sortie arrière de sorte que les crochets du bac à herbe soient installés sur les fentes du carter de la tondeuse.
- Relâchez la porte de décharge arrière.
- Connectez-vous à l'alimentation lorsque vous êtes prêt tondre.

RÉGLAGE DE LA HAUTEUR DE LA LAME Voir la figure 7

Pour l'expédition, les roues de la tondeuse sont réglées à la position de coupe au ras de sol. Avant d'utiliser la tondeuse pour la première fois, réglez la position de coupe à la hauteur la mieux adaptée à votre pelouse. Une pelouse moyenne devrait avoir de 38 mm à 51 mm (1-1/2 po à 2 po) pendant les mois de temps froid et entre 51 ou plus (2 po ou plus) pendant les mois de temps chaud.

Pour régler la hauteur de la lame :

- Débrancher l'outil de la source d'alimentation.
- Pour augmenter la hauteur de la lame, attrapez le levier de réglage de la hauteur et poussez-le vers l'arrière de la tondeuse.
- Pour diminuer la hauteur de la lame, attrapez le levier de réglage de la hauteur et poussez-le vers l'avant de la tondeuse.
- Réinstaller la source d'alimentation dès le moment de la tonte.

Fig. 6

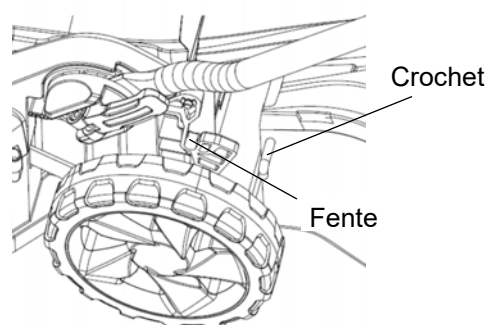
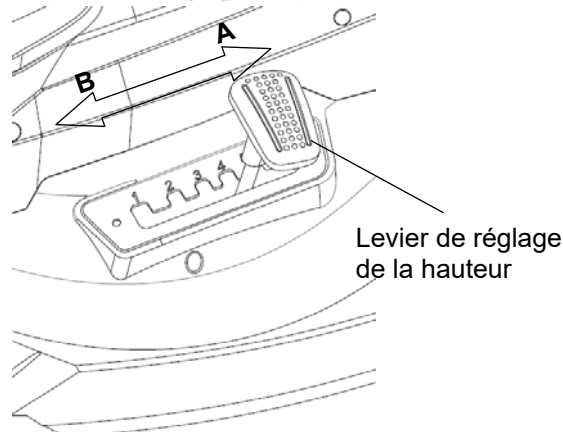


Fig. 7



UTILISATION

⚠ DANGER:

Le contact avec des lignes électriques ou des cordons électriques peut entraîner des blessures graves ou un décès. N'utilisez jamais la tondeuse sur de sources électriques, cordons ou câbles.

⚠ AVERTISSEMENT :

Ne laissez pas la familiarité tirée d'une utilisation fréquente de ce type de produit atténuer votre vigilance. Souvenez-vous qu'une fraction de seconde d'inattention suffit à infliger des blessures graves.

⚠ AVERTISSEMENT :

Toujours porter une protection oculaire munie d'écrans latéraux certifiée conforme à la norme ANSI Z87.1. Si cette précaution n'est pas prise, des objets peuvent être projetés dans les yeux et causer des lésions graves.

⚠ AVERTISSEMENT :

N'utilisez aucun ajout ni accessoire non-recommandé par le fabricant de ce produit. L'utilisation des ajouts ou des accessoires non recommandés pourrait résulter en des blessures corporelles graves.

⚠ AVERTISSEMENT :

Inspecter le produit afin de s'assurer qu'aucune pièce et la lame est endommagée ou si elle est usée de façon inégale ou excessive. Le fait d'utiliser la tondeuse si des pièces sont manquantes ou endommagées peut entraîner des blessures graves.

⚠ AVERTISSEMENT :

Toujours retirer la cordon prolongateur de l'outil au moment d'assembler des pièces, d'effectuer des réglages et de procéder au nettoyage, ou lorsque l'outil n'est pas utilisé, permettre d'empêcher un démarrage accidentel pouvant entraîner des blessures graves.

UTILISATIONS :

Vous pouvez utiliser ce produit pour :

- tondre votre pelouse

⚠ AVERTISSEMENT :

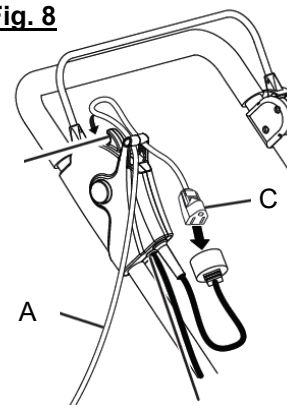
Pour éviter le démarrage accidentel pouvant causer des blessures graves, toujours débranchez le cordon d'alimentation lors du déplacement ou du transport de la tondeuse.

INSTALLATION / RETRAIT DU CORDON PROLONGATEURS

Voir la figure 8

- Insérer la partie femelle (C) du cordon (A) d'alimentation dans le produit, comme illustré.
- Raccorder la fiche du cordon d'alimentation dans une source d'énergie.
- S'assurer que le cordon d'alimentation est raccordé correctement avant d'allumer la tondeuse.

Fig. 8



UTILISATION

⚠ AVIS :

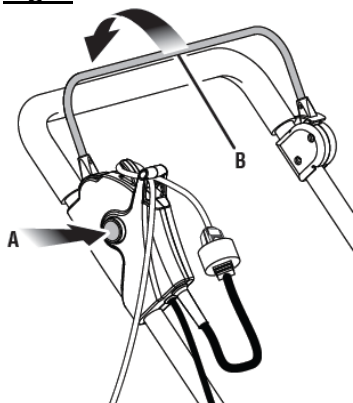
Toujours utiliser un dispositif de retenue de cordon retenir correctement la rallonge à la tondeuse à gazon. Ne pas utiliser le dispositif de retenue de cordon représente un risque de bris de la tondeuse à gazon et/ou de la rallonge.

DÉMARRAGE / ARRÊT DE LA TONDEUSE

Voir les figures 9

Fig. 9

- Brancher le cordon d'alimentation.
- Appuyer sur le bouton (A) « Start » (Démarrer). Tirer l'levier (B) vers la poignée et relâcher le bouton pour démarrer la tondeuse.
- Pour arrêter la tondeuse, relâcher l'levier (B).



Conseils de tonte

- Assurez-vous que la pelouse soit libre de pierres, bâtons, fils et autres objets qui pourraient endommager le moteur ou les lames de la tondeuse. De tels objets pourraient accidentellement être projetés par l'utilisateur dans une direction quelconque et pourraient provoquer des blessures graves à l'utilisateur et à autrui.
- Pour une pelouse saine, coupez toujours un tiers ou moins de la longueur totale de l'herbe.
- Lors de la coupe d'herbe épaisse, réduisez votre vitesse de marche pour permettre une coupe plus efficace et une éjection adéquate de l'herbe coupée.
- Ne coupez pas de l'herbe mouillée. Elle collera sous le dessous du bâti et empêchera un broyage adéquat de l'herbe coupée.
- L'herbe nouvelle ou épaisse peut demander une coupe plus étroite.
- Nettoyez le dessous du bâti de la tondeuse après chaque utilisation pour retirer l'herbe coupée, les feuilles, la saleté et les autres débris accumulés.

NOTE : Toujours arrêter la tondeuse, attendre l'arrêt complet des lames et débranchez le cordon d'alimentation avant de nettoyer le dessous de la tondeuse.

Utilisation sur une pente

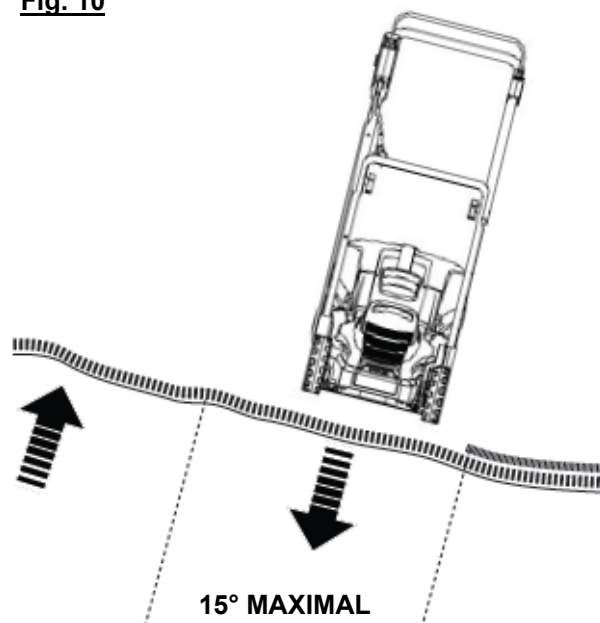
Voir la figure 10

⚠ AVERTISSEMENT :

Les pentes sont un facteur majeur relié aux glissements et des chutes accidentelles qui peuvent résulter en des blessures graves. L'utilisation de la tondeuse sur les pentes nécessite des précautions spéciales. Si vous n'êtes pas confortable sur une pente, ne la tondez pas. Pour votre sécurité, n'essayez pas de tondre des pentes de plus de 15 degrés.

- Tondez le long de la face des pentes, jamais de haut en bas. Soyez très prudent lorsque vous changez de direction sur une pente.
- Prenez garde aux trous, ornières, roches, objets dissimulés ou bosses qui pourraient vous faire glisser ou trébucher. L'herbe haute peut dissimuler des obstacles. Retirez tous les objets comme les roches, les branches d'arbres, etc., sur lesquels vous pourriez trébucher ou qui pourraient être projetés au loin par la lame.
- Soyez toujours certain de votre prise de pied. Un glissement et une chute peuvent entraîner des blessures graves. Si vous sentez que vous allez perdre l'équilibre, relâchez immédiatement le fil de contrôle du contacteur.
- Ne tondez pas près de points de chute, fossés ou digues : vous pourriez perdre l'équilibre.

Fig. 10



UTILISATION

Conseils sur le paillage

REMARQUE : Inspectez la zone où sera utilisée la tondeuse et enlevez toutes les pierres, bâtons, fils, os et autres débris qui peuvent être projetés par les lames en rotation.

- Relâchez le levier pour ARRÊTER la tondeuse lorsque vous traversez toute zone avec du gravier (les pierres peuvent être projetées par la lame).
- Réglez la tondeuse à la plus haute hauteur de coupe lorsque vous tondez sur un sol inégal ou dans de hautes herbes.
- Marchez d'un pas constant. Chevauchez les rangées de coupe. Ne laissez pas l'herbe trop pousser. Si l'herbe devient trop longue, commencez à la position de coupe la plus élevée et travaillez en descendant jusqu'à la hauteur de coupe désirée.

⚠ AVERTISSEMENT :

Si vous heurtez un corps étranger, arrêtez le moteur et enlevez la batterie. Inspectez soigneusement la tondeuse pour tout dommage possible. Réparez les dommages avant d'utiliser la tondeuse. Une vibration excessive de la tondeuse lors de l'utilisation indique des dommages. Inspectez soigneusement la tondeuse et réparez les dommages avant d'utiliser la tondeuse.

VIDER LE COLLECTEUR D'HERBE

Voir la figure 11

- Arrêter la tondeuse, laisser les lames s'arrêter complètement.
- Débrancher l'outil de la source d'alimentation.
- Soulever le couvercle d'éjection arrière.
- Soulever le collecteur d'herbe par sa poignée afin de le retirer de la tondeuse.
- Jetez les brins d'herbe.
- Soulever le couvercle arrière et réinstaller le collecteur d'herbe, comme décrit précédemment dans le présent manuel.
- Réinstaller la source d'alimentation dès le moment de la tonte.



Fig. 11

ENTRETIEN

⚠ AVERTISSEMENT :

Lors de la réparation du produit, il s'agissait de l'alimentation électrique de la tondeuse après avoir été retirée afin d'éviter un démarrage accidentel et des blessures graves.

⚠ AVERTISSEMENT :

Toujours porter une protection oculaire munie d'écrans latéraux certifiée conforme à la norme ANSI Z87.1. Si cette précaution n'est pas prise, des objets peuvent être projetés dans les yeux et causer des lésions graves.

⚠ AVERTISSEMENT :

Utiliser exclusivement des pièces autorisées pour les réparations. L'usage de toute autre pièce pourrait créer une situation dangereuse ou endommager le produit.

AVIS :

Inspecter périodiquement au complet le produit afin de s'assurer qu'aucune pièce (vis, écrous, boulons, chapeaux, etc.) n'est endommagée, manquante ou desserrée. Serrer solidement toutes les pièces de fixation et les chapeaux et ne pas utiliser le produit tant que toutes les pièces manquantes ou endommagées n'ont pas été remplacées. Pour obtenir de l'aide, veuillez communiquer avec le Service à la clientèle ou un centre de réparations agréé.

ENTRETIEN GÉNÉRAL

Évitez d'utiliser des solvants lorsque vous nettoyez les pièces en plastique. La plupart des plastiques sont susceptibles d'être endommagés par les divers types de solvants commerciaux. Utilisez des chiffons propres pour nettoyer la saleté, la poussière, l'huile, la graisse, etc.

⚠ AVERTISSEMENT :

Ne permettez jamais à ce que les liquides pour freins, la gazoline, les produits à base de pétrole, les huiles dégriffantes, etc entrent en contact avec les pièces en plastique. Les produits chimiques peuvent endommager, affaiblir ou détruire le plastique ce qui peut résulter en des blessures graves.

AVIS :

Ne jamais utiliser de tuyau, d'eau ou de liquides pour nettoyer la tondeuse, puisque l'eau et les liquides peuvent endommager les composants électroniques. Retirer toute accumulation d'herbe et de feuilles sur et autour du capot du moteur. Essuyer la tondeuse de temps en temps avec un linge sec.

Vérifiez de temps en temps que tous les écrous et boulons soient bien serrés pour s'assurer d'une utilisation sécuritaire de la tondeuse.

ENTRETIEN

LUBRIFICATION

Tous les roulements dans ce produit sont lubrifiés avec une quantité suffisante de lubrifiant de haute qualité pour la durée de vie de l'appareil sous des conditions normales d'utilisation. C'est pourquoi aucune autre lubrification des roulements n'est requise.

▲ AVERTISSEMENT :

Protégez toujours vos mains en portant des gants lourds et/ou en enveloppant les bords tranchants de la lame avec des chiffons et d'autres matériaux similaires lorsque vous effectuez l'entretien de la lame. Le non-respect de cette consigne peut entraîner des blessures graves.

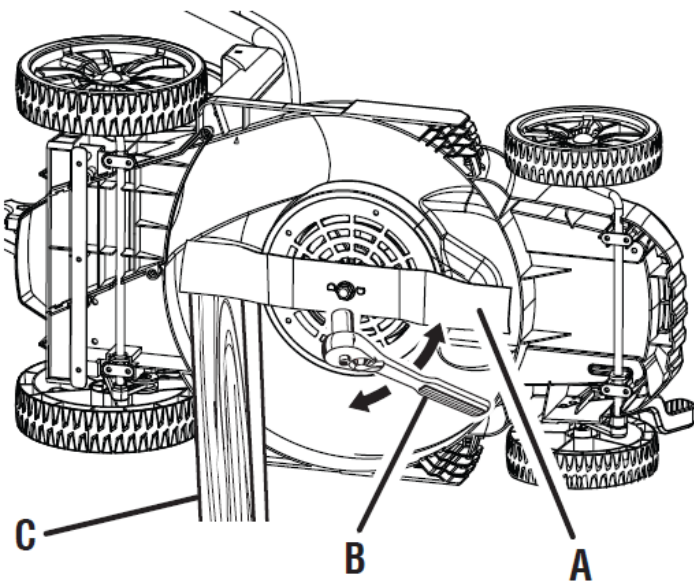
REPLACEMENT DE LA LAME

Voir les figures 12 et 13

NOTE : Utiliser seulement des pièces de remplacement lames.

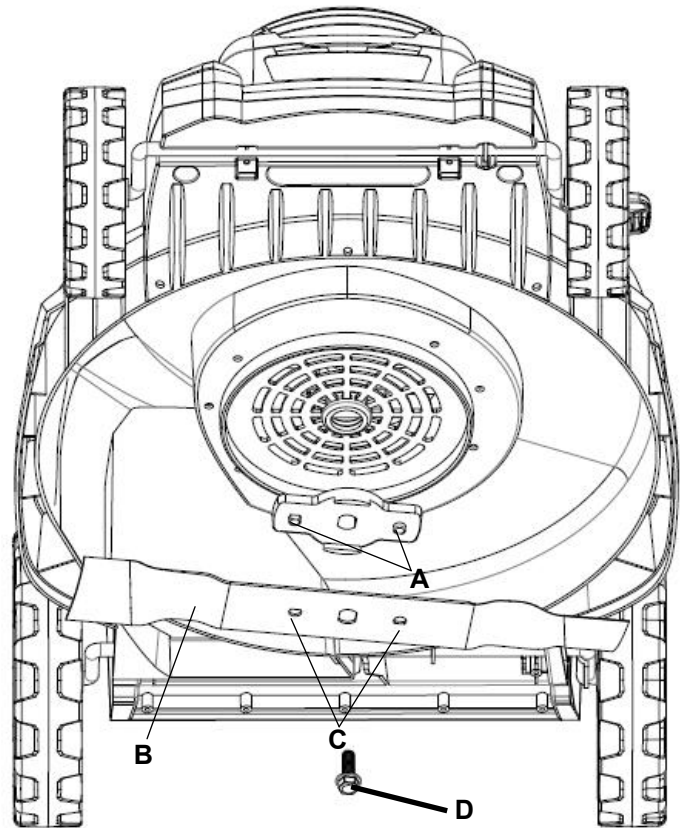
- Arrêtez le moteur et coupez l'alimentation électrique. Attendez que la lame s'immobilise complètement.
- Débranchez le cordon d'alimentation.
- Tournez la tondeuse de côté.

Fig. 12



- Mettez une pièce de bois (C) entre la lame (A) et le châssis de la tondeuse pour empêcher la lame de tourner.
- Desserrez l'écrou de lame en le tournant dans le sens antihoraire (par rapport au bas de la tondeuse) en utilisant une clé de démarrage de 13 mm ou une douille (B) (non fournies).
- Enlevez l'écrou de lame et la lame.

Fig. 13



- Placez la nouvelle lame (B) sur l'arbre. S'assurer que la lame est bien appuyée sur l'arbre. Celui-ci doit passer dans le trou central de la lame et les deux tiges (A) pour lame doivent s'insérer dans les trous (C) sur la lame. Assurez-vous que les bouts incurvés soient orientés en direction du châssis de la tondeuse et non en direction du sol. Une fois bien appuyée, la lame devrait être à plat.
- Remettez l'écrou (D) de lame sur l'arbre et serrez à main.

NOTE : Assurez-vous que toutes les pièces soient replacées dans l'ordre exact dans lequel elles ont été enlevées.

- Serrez l'écrou de lame sens horaire en utilisant une clé de démarrage dynamométrique (non fournie) pour s'assurer que l'écrou est bien serré. Le couple de serrage recommandé pour l'écrou de lame est de 350 – 400 po-lbs.

▲ AVERTISSEMENT :

Protégez toujours vos mains en portant des gants lourds et/ou en enveloppant les bords tranchants de la lame avec des chiffons et d'autres matériaux similaires lorsque vous effectuez l'entretien de la lame. Le non-respect de cette consigne peut entraîner des blessures graves.

ENTRETIEN

AIGUISER LA LAME

Voir la figure 14

La lame de la tondeuse doit être conservée tranchante pour une meilleure performance de l'équipement. Une lame émoussée ne coupera pas la pelouse de manière égale et surchargera le moteur. Dans des circonstances normales, aiguiser la lame deux fois lors de la saison de coupe est amplement suffisant. Cependant, si votre pelouse possède un sol sableux, un aiguisage plus fréquent de la lame peut être requis.

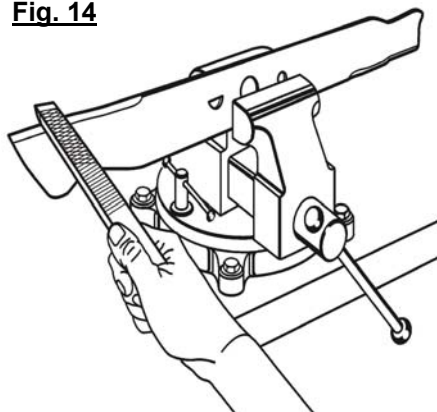
- Suivez les instructions dans la section **Remplacer la lame de coupe**, retirez la lame de la tondeuse. N'essayez PAS d'aiguiser la lame alors qu'elle est toujours fixée à la tondeuse.

▲ AVERTISSEMENT :

Lors de son retrait, inspectez soigneusement la lame. Si elle est pliée ou endommagée, remplacez-la immédiatement avec une nouvelle lame. Omettre de remplacer une lame pliée ou endommagée peut entraîner un accident provoquant de possibles blessures graves.

- À l'aide d'une lime ou d'une pierre à aiguiser, affilez les bords tranchants aux deux bouts de la lame, en enlevant des quantités égales de matériaux aux deux bouts.

Fig. 14



ÉQUILIBRER LA LAME

Voir la figure 15

Lorsque vous aiguiser la lame, assurez-vous de la conserver bien équilibrée. Une lame mal équilibrée peut provoquer des vibrations excessives lors du fonctionnement de la tondeuse. Cette vibration endommagera éventuellement la tondeuse, spécialement le moteur.

Pour vérifier l'équilibre de la lame :

- Fixez un tournevis à l'horizontale dans un étau tel qu'illustré.

REMARQUE: Si un étau n'est pas disponible, un clou droit fera l'affaire.

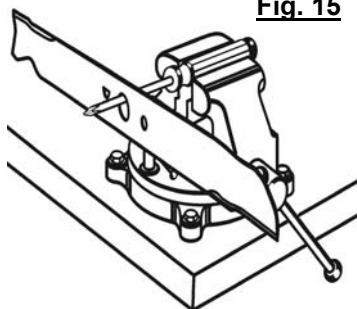


Fig. 15

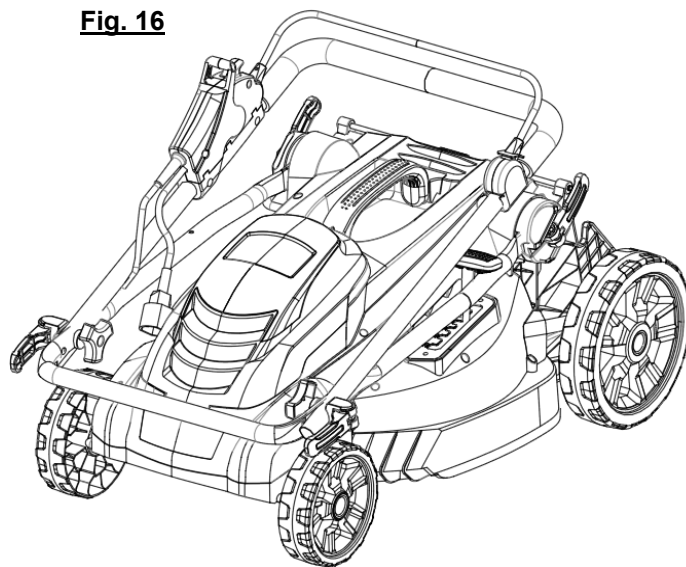
- Placez le trou central de la lame sur le manche du tournevis (ou sur un clou).
- Si la lame est équilibrée, elle demeurera alors droite en position horizontale. Si un bout ou l'autre de la lame penche vers le bas, aiguiser le bout plus lourd jusqu'à équilibre complet de la lame.

ENTREPOSAGE DE LA TONDEUSE

Voir la figure 16

- Débranchez le cordon d'alimentation et emmagasiner dans un emplacement assuré de la portée d'enfants.
- Avant de ranger le produit, essuyer toute saleté ou tout débris se trouvant dans l'environnement de la pile.
- Tournez la tondeuse sur un côté et nettoyez les brins d'herbe accumulés en dessous du châssis de la tondeuse.
- Essuyez la tondeuse avec un chiffon sec.
- Vérifiez si les écrous, les boulons, les boutons, les vis, les attaches, etc sont serrés.
- Vérifiez si les pièces détachables ne sont pas endommagées, brisées ou usées. Faites réparer toutes les pièces manquantes ou endommagées. Vérifier si la lame est endommagée ou si elle est usée de façon inégale ou excessive, et la remplacer le cas échéant.
- Abaisser la ensemble de poignée, tel que décrit précédemment dans ce manuel.
- Entrez la tondeuse à l'intérieur dans un endroit propre et sec, loin de la portée des enfants.
- N'entrez pas près des matériaux corrosifs tels que les engrais ou le sel gemme.

Fig. 16



DÉPANNAGE

Problème	Cause possible	Solution
La poignée n'est pas en position.	Les boulons ordinaires ne sont pas bien fixés. Les molettes de la poignée ne sont pas serrées.	Réglez la hauteur de la poignée et assurez-vous que les boulons ordinaires soient bien fixés en place. Serrez les molettes de la poignée.
La tondeuse ne démarre pas.	Le branchement à une source d'alimentation n'a pas été établi.	Brancher le cordon d'alimentation.
La tondeuse coupe la pelouse de manière inégale.	La pelouse est difficile ou inégale. La hauteur de coupe n'est pas bien réglée.	Vérifiez la zone de tonte. Déplacez les roues sur une position plus élevée.
La tondeuse ne broie pas correctement.	L'herbe coupée mouillée colle au-dessous du bâti. L'insert broyeur est manquant.	Attendez que la pelouse sèche avant de tondre. Installez l'insert broyeur.
La tondeuse est difficile à pousser.	L'herbe est trop haute, l'arrière du bâti de la tondeuse et la lame traînent dans de l'herbe épaisse, ou la hauteur de coupe est trop basse. L'arrière du collecteur d'herbe traîne dans de l'herbe épaisse.	Relevez la hauteur de coupe. Videz les brins d'herbe du collecteur d'herbe.
La tondeuse vibre lorsqu'utilisée à une vitesse supérieure.	La lame est mal équilibrée. L'axe du moteur plié.	Équilibrez la lame en meulant chaque bord tranchant de manière égale. Éteignez le moteur, retirez la batterie, et vérifiez les dommages. Faites-la réparer par un centre d'entretien autorisé avant de l'utiliser de nouveau.
Si le moteur s'arrête pendant la tonte de la pelouse.	La hauteur de coupe est trop basse.	Augmentez la hauteur de coupe.

APPELEZ-NOUS D'ABORD!!

Appelez-nous d'abord pour toute question concernant le fonctionnement ou la maintenance de ce produit au 1.800.633.1501 entre 8h00 et 17h00, heure normale de l'Est, ou obtenir de l'aide sur www.americanlawnmower.com.

PIÈCES ET SERVICE

RÉPARATION

Pour les pièces ou la réparation, veuillez appeler le 1-800-633-1501 ou visitez-nous en ligne au www.americanlawnmower.com. Veuillez fournir toute l'information pertinente lorsque vous nous appelez ou nous rendez visite.

PIÈCES DE RECHANGE (KITS/ ARTICLES)

Le numéro de modèle/ de série de cet outil se trouve sur une plaque ou une étiquette fixée au bâti. Notez votre numéro de série dans l'espace prévu ci-dessous.

NUMÉRO DE MODÈLE 50616

NUMÉRO DE SÉRIE _____

Toujours mentionner le numéro de modèle lors de la commande de kits pour cet outil.

N°	Numéro de kit/ Numéro d'article	Description
1	50616/62016S-HK	Kit matériel
2	50616/62016S-RBDK	Kit de porte de sac arrière
3	50616-UHK	Kit de poignée supérieure
4	50616/62016S-LHK	Kit de poignée inférieure
5	50616/62016S-GCK	Kit de ramasse-herbe

APPELEZ-NOUS D'ABORD!!

Appelez-nous d'abord pour toute question concernant le fonctionnement ou la maintenance de ce produit au 1.800.633.1501 entre 8h00 et 17h00, heure normale de l'Est, ou obtenir de l'aide sur www.americanlawnmower.com.



MANUEL DE L'UTILISATEUR

TONDEUSE ELECTRIQUE DE 406 mm (16 po)

MODÈLE 50616

POLITIQUE DE GARANTIE

Garantie limitée de deux (2) ans sur l'équipement d'extérieur Earthwise.

Earthwise garantit au propriétaire d'origine que tout nouveau produit et toute nouvelle pièce de remplacement est exempt (e) de défaut de matériau et de fabrication et s'engage en vertu de la présente garantie à réparer ou à remplacer tout produit défectueux ou toute pièce défectueuse à compter de la date d'achat d'origine pendant la période de garantie à l'exception des conditions et des circonstances indiquées ci-dessous.

Cette garantie s'applique seulement à l'acheteur d'origine dans un magasin de ventes au détail et ne peut être transférée.

La garantie s'applique si le produit est utilisé pour usage personnel, domestique ou familial. La garantie est nulle si le produit est utilisé à des fins commerciales, industrielles ou locatives.

La garantie n'inclut pas les réparations nécessaires à cause de la négligence ou de l'abus de l'opérateur (y compris la surcharge du produit au-delà de sa capacité ou son immersion dans l'eau), ou l'échec à assembler, opérer, entretenir ou entreposer le produit selon les instructions dans le manuel de l'opérateur.

Cette garantie n'est pas transférable et s'applique seulement au produit vendu directement d'un fournisseur autorisé.

Cette garantie ne s'applique pas à tout produit, neuf ou usagé, acheté par le biais de canaux tiers non-autorisés.

TOUT DOMMAGE, PERTE OU FRAIS CONSÉCUTIF, INDIRECT OU CONSÉQUENT QUI POURRAIT RÉSULTER D'UN DÉFAUT, D'UNE DÉFAILLANCE OU D'UN DYS FONCTIONNEMENT DU PRODUIT N'EST PAS COUVERT PAR LA GARANTIE. Certains États ne permettent pas l'exclusion ou la limitation de la durée d'une garantie implicite. Les restrictions ci-dessus peuvent donc ne pas s'appliquer.

Une preuve d'achat, original du reçu de vente daté, doit accompagner toute réclamation de garantie.

Les produits vendus endommagés ou incomplets, vendus « tels quels », ou vendus remis en état, ne sont pas couverts par cette garantie.

Les dommages ou responsabilités provoqués par le transport, une mauvaise manipulation, un mauvais assemblage, une tension ou un câblage incorrect, une mauvaise maintenance, une modification incorrecte ou l'utilisation d'accessoires ou d'outils non spécifiquement recommandés n'est pas couvert par cette garantie.

Les items consommables qui s'usent lors d'une utilisation normale ne sont pas couverts par la garantie, y compris, sans s'y limiter, au guide-chaîne et la chaîne.

La garantie ne couvre pas la détérioration normale de la finition extérieure, y compris, sans s'y limiter, aux égratignures, aux éclats de peinture entaillée ou à toute corrosion ou décoloration causée par la chaleur, les abrasifs et les nettoyeurs chimiques.

La garantie n'inclut pas l'installation, l'assemblage ou les réglages normaux expliqués dans le manuel de l'utilisateur.

Les frais de livraison du produit au vendeur ou les frais de retourner le produit ou les pièces de rechange au propriétaire ne sont pas couverts par la garantie.

La garantie ne couvre pas la détérioration normale de la finition extérieure, y compris, sans s'y limiter, aux égratignures, aux éclats de peinture entaillée ou à toute corrosion ou décoloration causée par la chaleur, les abrasifs et les nettoyeurs chimiques.



American Lawn Mower Company
The Great States Corporation
7444 Shadeland Station Way
Indianapolis, IN 46256, États-Unis
Téléphone 1-800-633-1501
www.americanlawnmower.com

Dans le cadre d'un engagement vis-à-vis de l'amélioration de la qualité, le fabricant se réserve le droit de modifier des pièces ou la conception de ce produit.