



WM3488H*

QUICK INSTALL & CLEARANCES

For full installation directions/clearances please refer to the corresponding User Manual and Installation Guide.

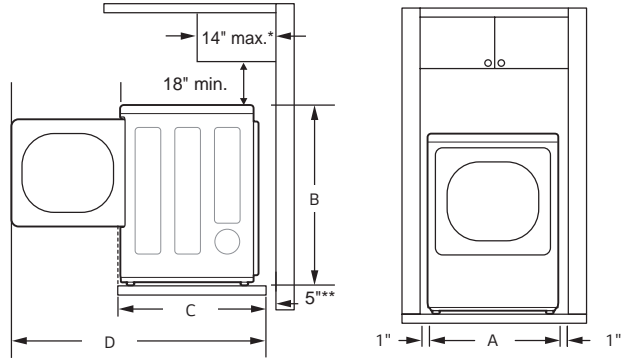
DIMENSIONS

A	Width	24"
B	Height	33-1/2"
C	Depth	25-1/4"
D	Depth with door open	45"
Carton (WxHxD)		26" x 35-3/4" x 27-3/4"
Weight (Product/Carton)		156.5 lbs / 165.3 lbs

POWER SOURCE

Ratings	TBD
Electrical Requirements	120V, 10 Amps
Type	Electric

DIMENSIONS / CLEARANCES



* Required spacing

** For side or bottom venting, 2-inch (5.1 cm) of spacing is allowed.

CONNECTING ELECTRIC DRYERS

- A **4-wire connection** is required for all mobile and manufactured home installations, as well as all new construction **after January 1, 1996**.
- A **3-wire connection is NOT permitted** on new construction **after January 1, 1996**.
- A UL-listed strain relief is required.
- Use a 30-amp, 240-volt, 4-wire, UL-listed power cord with #10 AWG-minimum copper conductor and closed loop or forked terminals with upturned ends.

