



**OPERATOR'S MANUAL**  
**MANUEL D'UTILISATION**  
**MANUAL DEL OPERADOR**  
**16 in., 40 VOLT LAWN MOWER**  
**16 po 40V TONDEUSE**  
**16 pulg. 40V PODADORA**

**RY40100**

**ALL VERSIONS**  
**TOUTES LES VERSIONS**  
**TODAS LAS VERSIONES**



Your lawn mower has been engineered and manufactured to our high standard for dependability, ease of operation, and operator safety. When properly cared for, it will give you years of rugged, trouble-free performance.

**⚠ WARNING:** To reduce the risk of injury, the user must read and understand the operator's manual before using this product.

Thank you for your purchase.

**SAVE THIS MANUAL FOR FUTURE REFERENCE**

Ce tondeuse a été conçu et fabriqué conformément à nos strictes normes de fiabilité, simplicité d'emploi et sécurité d'utilisation. Correctement entretenu, cet outil vous donnera des années de fonctionnement robuste et sans problème.

**⚠ AVERTISSEMENT :** Pour réduire les risques de blessures, l'utilisateur doit lire et veiller à bien comprendre le manuel d'utilisation avant d'employer ce produit.

Merci de votre achat.

Su podadora ha sido diseñado y fabricado de conformidad con nuestras estrictas normas para brindar fiabilidad, facilidad de uso y seguridad para el operador. Con el debido cuidado, le brindará muchos años de sólido funcionamiento y sin problemas.

**⚠ ADVERTENCIA:** Para reducir el riesgo de lesiones, el usuario debe leer y comprender el manual del operador antes de usar este producto.

Le agradecemos su compra.

**CONSERVER CE MANUEL POUR  
FUTURE RÉFÉRENCE**

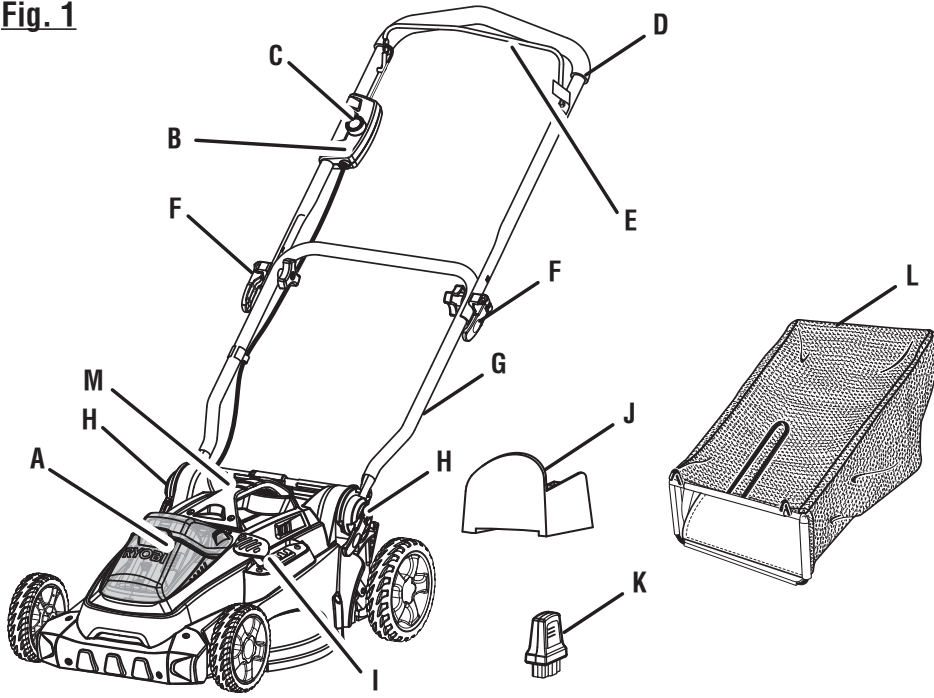
**GUARDE ESTE MANUAL PARA  
FUTURAS CONSULTAS**

**See this fold-out section for all of the figures referenced in the operator's manual.**

**Consulter l'encart à volets afin d'examiner toutes les figures mentionnées dans le manuel d'utilisation.**

**Consulte esta sección desplegable para ver todas las figuras a las que se hace referencia en el manual del operador.**

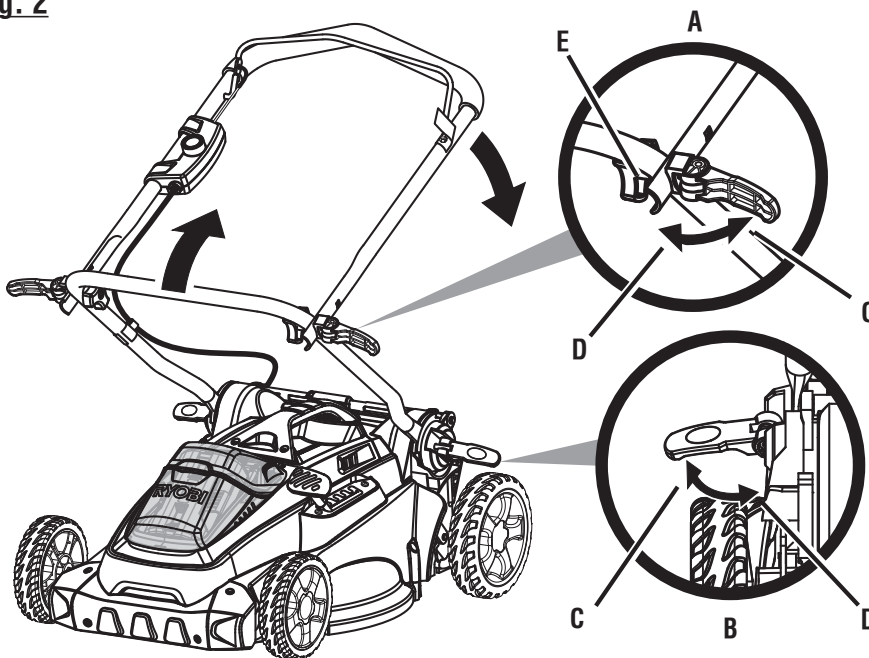
**Fig. 1**



- A - Battery cover (couverture des piles, tapa de las baterías)
- B - Motor/blade control assembly (dispositif de commande du moteur/de la lame, conjunto de control del motor/hoja)
- C - Start button (bouton « Start » [démarrer], botón de arranque)
- D - Upper handle (poignée supérieure, mango superior)
- E - Bail (anse, asa)
- F - Upper handle lock (verrou de la poignée supérieure, seguro del mango superior)

- G - Lower handle (poignée inférieure, mango inferior)
- H - Lower handle lock (verrou de la poignée inférieure, seguro del mango inferior)
- I - Height adjustment lever (levier de réglage de la hauteur, palanca de ajuste de altura)
- J - Mulching plug (insert broyeur, tapón para trituración)
- K - Fuse key (clé-fusible, llave del fusible)
- L - Grass catcher (collecteur d'herbe, receptor de hierba)
- M - Carrying handle (poignée de transport, mango de acarreo)

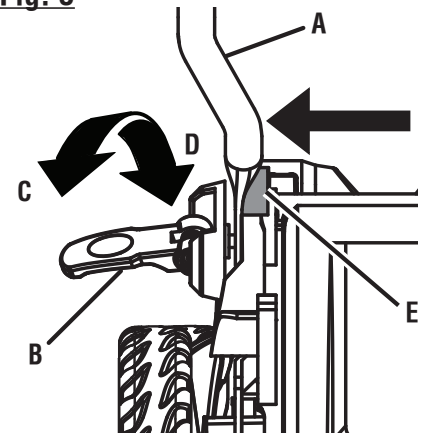
**Fig. 2**



- A - Upper handle lock (verrou de la poignée supérieure, seguro del mango superior)
- B - Lower handle lock (verrou de la poignée inférieure, seguro del mango inferior)

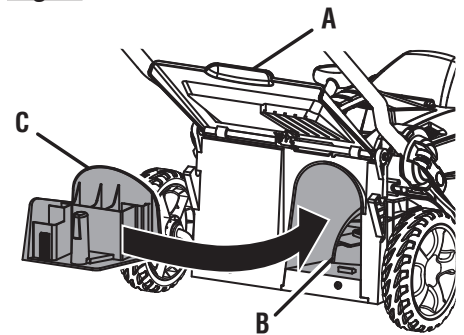
- C - Open (ouvrir, abra)
- D - Close (fermeture, cerrar)
- E - Knob (bouton, perilla)

**Fig. 3**



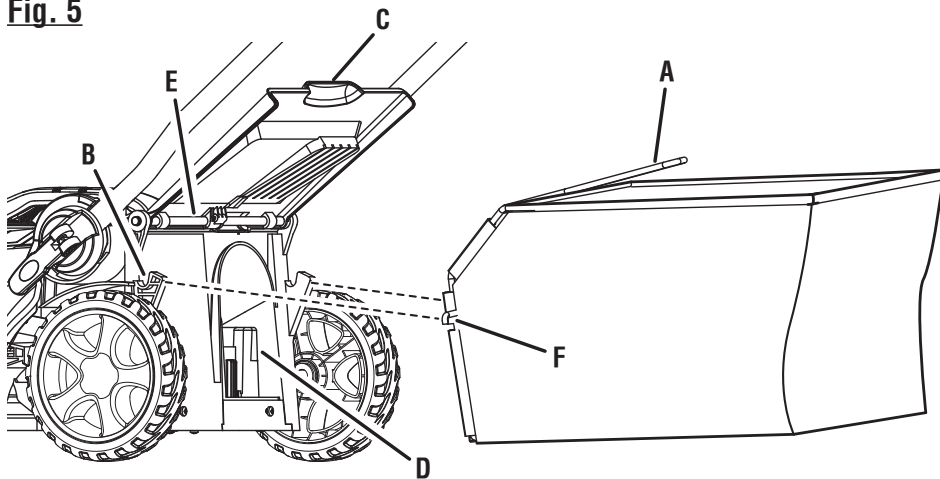
- A - Lower handle (poignée inférieure, mango inferior)
- B - Lower handle lock (verrou de la poignée inférieure, seguro del mango inferior)
- C - Loosen (desserrer, aflojar)
- D - Tighten (serrer, apriete)
- E - Slot (fente, ranura)

**Fig. 4**



- A - Rear discharge door (couverture d'éjection arrière, puerta de descarga posterior)
- B - Rear discharge opening (ouverture d'éjection arrière, abertura de descarga posterior)
- C - Mulching plug (insert broyeur, tapón para trituración)

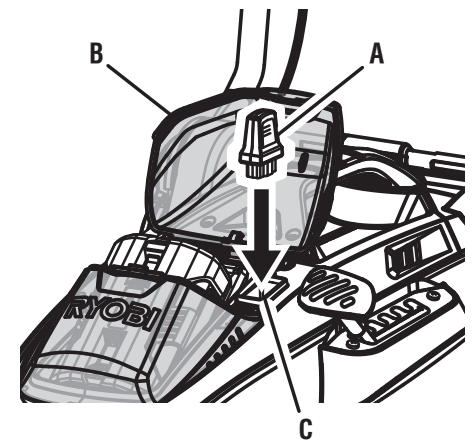
**Fig. 5**



- A - Grass catcher handle (poignée de collecteur d'herbe, mango del receptor de hierba)
- B - Slots (fentes, ranuras)
- C - Rear door (couvercle d'éjection, puerta de descarga)

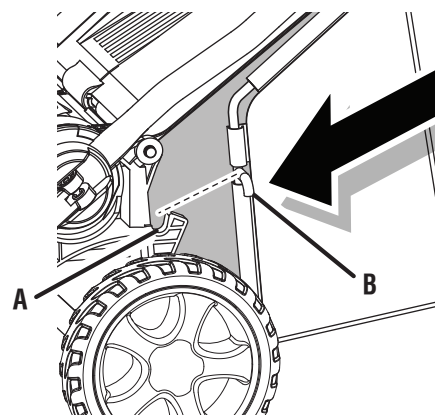
- D - Rear discharge opening (ouverture d'éjection latérale, abertura de descarga lateral)
- E - Door rod (barre de couvercle, barra de la puerta)
- F - Hooks (crochets, ganchos)

**Fig. 9**



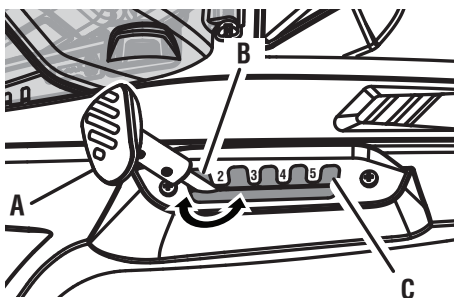
- A - Fuse key (clé-fusible, llave del fusible)
- B - Battery cover (couvercle des piles, tapa de las baterías)
- C - Fuse key slot (fente de la clé-fusible, ranura de la llave del fusible)

**Fig. 6**



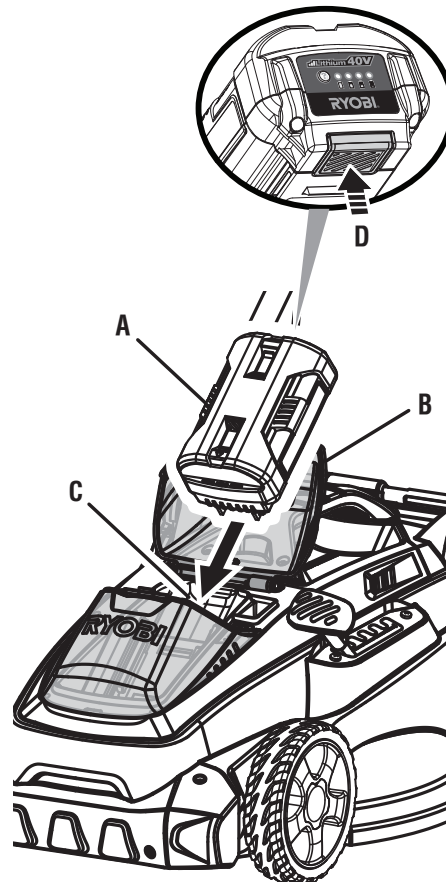
- A - Slots (fentes, ranuras)
- B - Hooks (crochets, ganchos)

**Fig. 7**



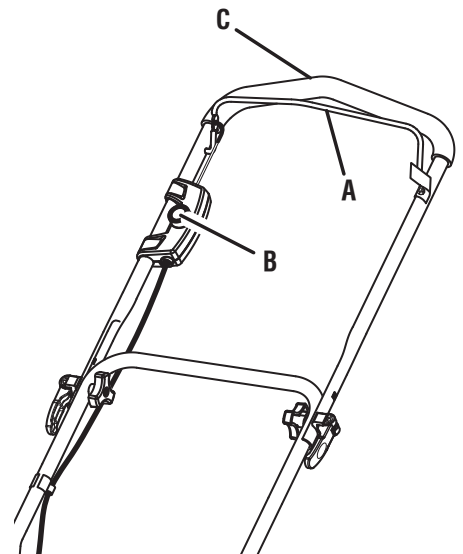
- A - Height adjustment lever (levier de réglage de la hauteur, palanca de ajuste de altura)
- B - Lowest blade setting (le plus bas réglage de la lame, ajuste más bajo de la hoja)
- C - Highest blade setting (le plus haut réglage de la lame, ajustes de cuchilla más alto)

**Fig. 8**



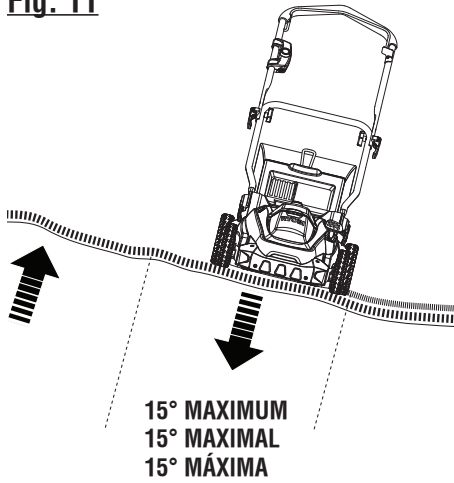
- A - Battery pack (bloc-piles, paquete de baterías)
- B - Battery cover (couvercle des piles, tapa de las baterías)
- C - Battery port (logement de piles, receptáculo para baterías)
- D - Latch (loquet, pestillo)

**Fig. 10**



- A - Bail (anse, asa)
- B - Start button (bouton « Start » [démarrer], botón de arranque)
- C - Upper handle (poignée supérieure, mango superior)

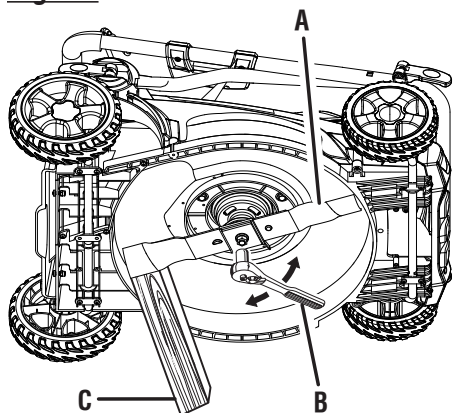
**Fig. 11**



**Fig. 12**

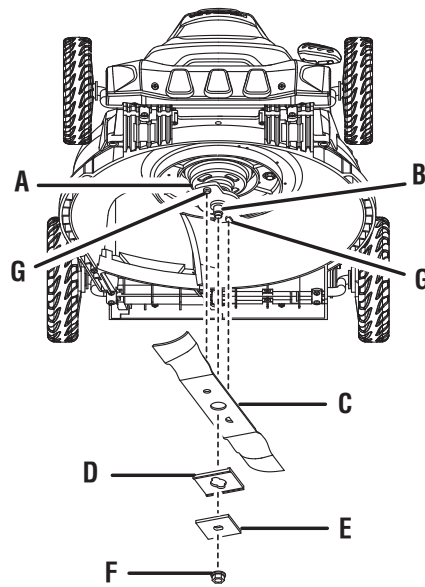


**Fig. 13**



- A - Blade (lame, hoja)
- B - Wrench (clé, llave)
- C - Block of wood (pièce de bois, bloque de madera)

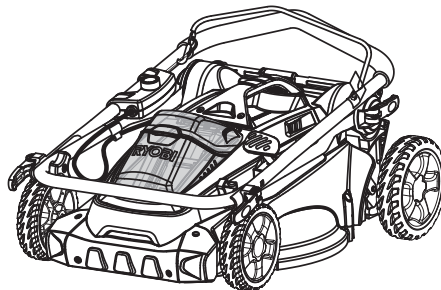
**Fig. 14**



- A - Fan assembly (ensemble de ventilateur, conjunto del ventilador)
- B - Shaft (arbre, eje)
- C - Blade (lame, hoja)
- D - Blade insulator (isolant de lame, aislante de hoja)
- E - Spacer (entretoise, separador)
- F - Blade nut (écrou de lame, tuerca de la hoja)
- G - Blade posts (tiges pour lame, montantes de cuchilla)

**Fig. 15**

**TO STORE THE MACHINE  
POUR REMISER L'ÉQUIPEMENT  
PARA GUARDAR LA MÁQUINA**



# TABLE OF CONTENTS

## TABLE DES MATIÈRES / ÍNDICE DE CONTENIDO

■ Introduction .....	2
Introduction / Introducción	
■ Important Safety Instructions .....	3-4
Règles de sécurité générales / Reglas de seguridad generales	
■ Symbols.....	5-6
Symboles / Símbolos	
■ Features.....	7
Caractéristiques / Características	
■ Assembly.....	7-8
Assemblage / Armado	
■ Operation.....	9-10
Utilisation / Funcionamiento	
■ Maintenance.....	10-11
Entretien / Mantenimiento	
■ Troubleshooting.....	12
Dépannage / Solución de problemas	
■ Warranty .....	13
Garantie / Garantía	
■ Parts Ordering and Service .....	Back Page
Commande de pièces et réparation / Pedidos de piezas y servicio .....	Page arrière / Pág. posterior

## INTRODUCTION

### INTRODUCCIÓN

This product has many features for making its use more pleasant and enjoyable. Safety, performance, and dependability have been given top priority in the design of this product making it easy to maintain and operate.

\* \* \*

Ce produit offre de nombreuses fonctions destinées à rendre son utilisation plus plaisante et satisfaisante. Lors de la conception de ce produit, l'accent a été mis sur la sécurité, les performances et la fiabilité, afin d'en faire un outil facile à utiliser et à entretenir.

\* \* \*

Este producto ofrece numerosas características para hacer más agradable y placentero su uso. En el diseño de este producto se ha conferido prioridad a la seguridad, el desempeño y la fiabilidad, por lo cual se facilita su manejo y mantenimiento.

# IMPORTANT SAFETY INSTRUCTIONS



## WARNING:

### READ AND UNDERSTAND ALL INSTRUCTIONS.

Failure to follow all instructions listed below and on the machine may result in electric shock, fire, and/or serious personal injury.

## READ ALL INSTRUCTIONS

- This cutting machine is capable of amputating hands and feet and throwing objects. Failure to observe all safety instructions could result in serious injury or death.
- Avoid dangerous environment - Do not use the lawn mower in damp or wet conditions or operate in the rain.
- Keep children away - Keep all bystanders, children, and pets at least 100 ft. away. Stop machine if anyone enters the area.
- Tragic accidents can occur if the operator is not alert to the presence of children. Children are often attracted to the machine and the mowing activity. Never assume that children will remain where you last saw them.
  - Keep children out of the mowing area and under the watchful care of a responsible adult other than the operator.
  - Be alert and turn mower off if a child enters the area.
  - Never allow children to operate the machine.
  - Use extra care when approaching blind corners, shrubs, trees, or other objects that may block your view of a child.
- Dress properly - Wear heavy, long pants, long sleeves, boots, and gloves. Do not wear loose fitting clothing, short pants, sandals, or go barefoot. Do not wear jewelry of any kind. They can be caught in moving parts.
- Don't overreach - Keep proper footing and balance at all times. Overreaching can result in loss of balance.
- Do not operate the equipment while barefoot or when wearing sandals or similar lightweight footwear. Wear protective footwear that will protect your feet and improve your footing on slippery surfaces.
- Do not leave the mower unattended while running or with the fuse key installed.
- Keep hands and feet away from cutting area. Keep clear of the discharge opening at all times.
- Operate the lawn mower only in daylight or good artificial light.
- Always wear safety glasses with side shields. Everyday glasses have only impact resistant lenses. They are NOT safety glasses. Following this rule will reduce the risk of eye injury. Use face mask if operation is dusty.
- Use safety glasses - Always wear eye protection with side shields marked to comply with ANSI Z87.1. Use face mask if operation is dusty.
- Use the right appliance - Do not use the lawn mower for any job except that for which it is intended.
- Do not force the lawn mower - It will do the job better and safer at the rate for which it was designed.
- Stay alert - Watch what you are doing and use common sense when operating the lawn mower. Do not operate the mower while tired, upset or under the influence of drugs, alcohol, or medication. A moment of inattention while operating the lawn mower may result in serious personal injury.
- Maintain lawn mower with care - Keep machine in good working condition. Keep blades sharp and guards in place and in working order. Replace damaged or unevenly worn blades before using mower for best performance.
- Check all nuts, bolts, and screws at frequent intervals for proper tightness to be sure the equipment is in safe working condition. Mower blades are sharp. Wrap the blade or wear gloves, and use extra caution when servicing them.
- Do not dispose of the battery in a fire. The cell may explode. Check with local codes for possible special disposal instructions.
- Stop the motor, wait until the blade comes to a complete stop, and remove the fuse key and battery pack before cleaning the lawn mower, removing the grass catcher, or removing the mulching plug.
- Replace blade if it is bent or cracked. An unbalanced blade causes vibration that could damage the motor drive unit or cause personal injury. Sharpen a dull blade equally at each end to maintain the balance. Clean the blade thoroughly and check its balance by supporting it horizontally on a thin nail through its center hole. The nail should be in a horizontal position. If either end of the blade rotates downward, remove some metal from the heavy of lower end until the blade is balanced. It is balanced when neither end drops.
- When not in use, mower should be stored indoors in a dry, locked up place—out of the reach of children. The fuse key should also be removed and stored in a separate location out of the reach of children.
- Always use safety protective devices. Do not operate the mower without the entire grass catcher, mulching plug and rear discharge door in place and working properly.
- Do not open or mutilate the battery. Released electrolyte is corrosive and may cause damage to the eyes or skin. It may be toxic if swallowed.
- Follow manufacturer's instructions for proper operation and installation of accessories. Only use accessories approved by the manufacturer.
- Exercise care in handling batteries in order not to short the battery with conducting materials such as rings, bracelets, and keys. The battery or conductor may overheat and cause burns.




# IMPORTANT SAFETY INSTRUCTIONS

- Clear the work area before each use. Remove all objects such as rocks, sticks, metal, wire, bones, toys, or other objects which can be thrown by the blade. Stay behind the handle when the motor is running.
- Avoid holes, ruts, bumps, rocks, property stakes, or other hidden objects. Uneven terrain could cause a slip and fall accident.
- Do not mow near drop-offs, ditches, or embankments.
- Mow across the face of slopes, never up and down. Exercise extreme caution when changing direction on slopes.
- Plan your mowing pattern to avoid discharge of material toward roads, sidewalks, bystanders and the like. Also, avoid discharging material against a wall or obstruction, which may cause the material to ricochet back toward the operator.
- Do not mow on wet grass or excessively steep slopes. Poor footing could cause a slip and fall accident. Walk, never run.
- Use extra care when approaching blind corners, shrubs, trees, or other objects that may block your view.
- Do not pull the mower backward unless absolutely necessary. If you must back the mower away from a wall or obstruction, first look down and behind to avoid tripping or pulling the mower over your feet.
- Never direct discharged material toward anyone. Avoid discharging material against a wall or obstruction. Material may ricochet back toward the operator. Stop the blade when crossing gravel surfaces.
- Objects struck by the lawn mower blade can cause severe injuries to persons. The lawn should always be carefully examined and cleared of all objects prior to each mowing.
- If the lawn mower strikes a foreign object, follow these steps:
  - Stop the lawn mower by releasing the bail, wait until the blade comes to a complete stop, and then remove fuse key.
  - Thoroughly inspect the mower for any damage.
  - Replace the blade if it is damaged in any way. Repair any damage before restarting and continuing to operate the mower.
- Stop the motor, wait until the blade comes to a complete stop, and remove fuse key before unclogging the chute. The cutting blade continues to rotate for a few seconds after the motor is shut off. Never place any part of the body in the blade area until you are sure the blade has stopped rotating.
- If the mower should start to vibrate abnormally, stop the motor and check immediately for the cause. Replace the blade if it is unevenly worn or damaged in any way. Vibration is generally a warning of trouble.
- Service on the product must be performed by qualified repair personnel only. Service or maintenance performed by unqualified personnel could result in injury to the user or damage to the product.
- Use only authorized replacement parts when servicing the product. Use identical replacement blades only. Use of unauthorized parts may create a risk of serious injury to the user, or damage to the product.
- Maintain or replace safety instructions labels, as necessary.
- Disconnect battery- Disconnect battery pack from the appliance before storing, servicing, transporting, or changing accessories such as blades. Such preventive safety measures reduce the risk of starting the tool accidentally.
- Stop the unit and disconnect battery pack and fuse key when not in use. Carry or push the unit with the motor stopped and the fuse key and battery pack removed from the mower.
- Battery tools do not have to be plugged into an electrical outlet; therefore, they are always in operating condition. Be aware of possible hazards when not using your battery tool or when changing accessories. Following this rule will reduce the risk of electric shock, fire, or serious personal injury.
- Do not use battery-operated appliance in rain.
- Remove or disconnect battery before servicing, cleaning or removing material from the gardening appliance.
- Use battery only with charger listed. For use with 40V lithium-ion battery packs. See Tool/ Appliance/Battery Pack/ Charger Correlation Supplement 988000-842.
- Store idle appliances indoors- When not in use, mower should be stored indoors in a dry, locked place out of the reach of children.
- Follow instructions for lubricating and changing accessories.
- Keep guards in place and in working order.
- Keep blades sharp.
- Keep hand and feet away from cutting area.
- Only allow responsible adults, who are familiar with the instructions, to operate this machine.
- Never operate machine in a closed area.
- Never tamper with safety devices. Check for proper operation regularly.
- Save these instructions. Refer to them frequently and use them to instruct others who may use this product. If you loan someone this tool, loan them these instructions also.












# SYMBOLS

The following signal words and meanings are intended to explain the levels of risk associated with this product.


SYMBOL	SIGNAL	MEANING
	<b>DANGER:</b>	Indicates an imminently hazardous situation, which, if not avoided, will result in death or serious injury.
	<b>WARNING:</b>	Indicates a potentially hazardous situation, which, if not avoided, could result in death or serious injury.
	<b>CAUTION:</b>	Indicates a potentially hazardous situation, which, if not avoided, may result in minor or moderate injury.
	<b>CAUTION:</b>	(Without Safety Alert Symbol) Indicates a situation that may result in property damage.

Some of the following symbols may be used on this product. Please study them and learn their meaning. Proper interpretation of these symbols will allow you to operate the product better and safer.

SYMBOL	NAME	DESIGNATION/EXPLANATION
	Safety Alert	Indicates a potential personal injury hazard.
	Read Operator's Manual	To reduce the risk of injury, user must read and understand operator's manual before using this product.
	Eye Protection	Always wear eye protection with side shields marked to comply with ANSI Z87.1.
	Wet Conditions Alert	Do not expose to rain or use in damp locations.
	Electric Shock	Failure to use in dry conditions and to observe safe practices can result in electric shock.
	Keep Hands and Feet Away	Keep hands and feet away from blade and cutting area.
	No Reach	Do not reach hands or feet under mower deck.
	No Slope	Do not operate on inclines greater than 15°. Mow across the face of slopes, never up and down.
	Keep Children and Bystanders Away	Keep all children and bystanders at least 100 ft. away.

# SYMBOLS

Some of the following symbols may be used on this product. Please study them and learn their meaning. Proper interpretation of these symbols will allow you to operate the product better and safer.

SYMBOL	NAME	DESIGNATION/EXPLANATION
	Recycle Symbols	This product uses lithium-ion (Li-ion) batteries. Local, state, or federal laws may prohibit disposal of batteries in ordinary trash. Consult your local waste authority for information regarding available recycling and/or disposal options.
V	Volts	Voltage
A	Amperes	Current
Hz	Hertz	Frequency (cycles per second)
W	Watt	Power
hrs	Hours	Time

# FEATURES

## PRODUCT SPECIFICATIONS

Battery ..... 40 Volt  
Cutting Path ..... 16 in.  
Height Adjustments ..... 3/4 in. to 2-3/4 in.

Wheel Size ..... 5-3/4 in. front, 7 in. rear  
Weight ..... 40 lb.

## KNOW YOUR LAWN MOWER

See Figure 1.

The safe use of this product requires an understanding of the information on the product and in this operator's manual as well as a knowledge of the project you are attempting. Before use of this product, familiarize yourself with all operating features and safety rules.

## BATTERY COVER

The battery cover protects the battery port from moisture and debris.

## CARRYING HANDLE

The lawn mower has a carrying handle for easy transport.

## FUSE KEY

The fuse key must be inserted before the mower can be started.

## GRASS CATCHER

The grass catcher collects grass clippings and prevents them from being discharged across your lawn as you mow.

## HEIGHT ADJUSTMENT LEVER

The height adjustment lever provides cutting height adjustments.

## MOTOR/BLADE CONTROL ASSEMBLY

The motor/blade control, located on the upper handle of the mower, engages and disengages the motor and blade.

## MULCHING PLUG

Your mower is equipped with a mulching plug that covers the rear discharge opening, which allows the mower blade to cut and recut for finer clippings.

# ASSEMBLY

## UNPACKING

This product requires assembly.

- Carefully remove the product and any accessories from the box. Make sure that all items listed in the packing list are included.

### **WARNING:**

Do not use this product if any parts on the Packing List are already assembled to your product when you unpack it. Parts on this list are not assembled to the product by the manufacturer and require customer installation. Use of a product that may have been improperly assembled could result in serious personal injury.

- Inspect the product carefully to make sure no breakage or damage occurred during shipping.
- Do not discard the packing material until you have carefully inspected and satisfactorily operated the product.
- If any parts are damaged or missing, please call 1-800-860-4050 for assistance.

## PACKING LIST

Lawn Mower  
Fuse Key  
Mulching Plug  
Grass Catcher  
Operator's Manual

### **WARNING:**

If any parts are damaged or missing, do not operate this product until the parts are replaced. Use of this product with damaged or missing parts could result in serious personal injury.

### **WARNING:**

Do not attempt to modify this product or create accessories not recommended for use with this product. Any such alteration or modification is misuse and could result in a hazardous condition leading to possible serious personal injury.

# ASSEMBLY

## **WARNING:**

Do not insert fuse key or battery pack until assembly is complete and you are ready to mow. Failure to comply could result in accidental starting and possible serious personal injury.

## **WARNING:**

To prevent accidental starting, do not make any adjustments or installations with the fuse key or battery pack inserted. Accidental starting of the mower during assembly could result in serious personal injury.

## **WARNING:**

Never operate the mower without the proper safety devices in place and working. Never operate the mower with damaged safety devices. Operating the mower with missing or damaged parts can result in serious personal injury.

## UNFOLDING AND ADJUSTING HANDLE ASSEMBLY

See Figures 2 - 3.

### To raise handle assembly:

- Open the lower handle locks.
- Pull up and back on the lower handle until it is aligned with the slot between the handle locks and the mower housing.

**NOTE:** If the lower handle is difficult to move, turn the lower handle locks clockwise to free the handle.

- To secure the lower handle in place, close the lower handle locks.

**NOTE:** If the lower handle is loose or does not seat completely in the slot, turn the lower handle locks counterclockwise to secure the handle.

- Open the upper handle locks.
- Pull up and back on the upper handle to raise it into operating position. Make sure that the lower handle is seated in the grooves at the bottom of the upper handle.
- To secure the upper handle in place, close the upper handle locks.

**NOTE:** If the upper handle is loose or separated from the lower handle, tighten the knobs on the upper handle locks by turning them clockwise.

### To lower the handle assembly:

- Open the upper handle locks.

**NOTE:** If the handle lock is difficult to open, loosen the knobs on the upper handle locks by turning them counterclockwise.

- Lower the upper handle.
- Open the lower handle lock.
- Push outward on each side of the lower handle until it is free from the slot. Then, fold the handle to the front of the unit. Avoid pinching or trapping any cables.

## INSTALLING THE MULCHING PLUG (FOR MULCHING OPERATION)

See Figure 4.

**NOTE:** When using the mulching plug, do not install the grass catcher.

- Remove fuse key and battery pack.
- Lift and hold the rear discharge door.
- Grasp the mulching plug by its handle and insert it at a slight angle, as shown.
- Push the mulching plug securely into place.
- Lower the rear discharge door.
- Reinstall fuse key and battery pack when you are ready to mow.

## INSTALLING THE GRASS CATCHER (FOR REAR BAGGING OPERATION)

See Figures 5 - 6.

**NOTE:** When using the grass catcher, do not install the mulching plug.

- Remove fuse key and battery pack.
- Lift the rear discharge door.
- Lift the grass catcher by its handle and place under the rear discharge door so that the hooks on the grass catcher are seated onto the slots on the mower housing.
- Release the rear discharge door.
- Reinstall fuse key and battery pack when you are ready to mow.

## SETTING BLADE HEIGHT

See Figure 7.

When shipped, the wheels on the mower are set to a low-cutting position. Before using the mower for the first time, raise the cutting position to the height best suited for your lawn. The average lawn should be between 1-1/2 in. to 2 in. during cool months and between 2 in. and 3-1/4 in. during hot months.

### To adjust the blade height:

- Remove fuse key and battery pack.
- To raise the blade height, grasp the height adjustment lever and move it toward the back of the mower.
- To lower the blade height, grasp the height adjustment lever and move it toward the front of the mower.
- Reinstall fuse key and battery pack when you are ready to mow.

# OPERATION

## **WARNING:**

Do not allow familiarity with products to make you careless. Remember that a careless fraction of a second is sufficient to inflict serious injury.

## **WARNING:**

Always wear eye protection with side shields marked to comply with ANSI Z87.1. Failure to do so could result in objects being thrown into your eyes resulting in possible serious injury.

## **WARNING:**

Do not use any attachments or accessories not recommended by the manufacturer of this product. The use of attachments or accessories not recommended can result in serious personal injury.

## **WARNING:**

Always inspect mower for missing or damaged parts and blade for damage, uneven, or excessive wear prior to use. Use of the mower with damaged or missing parts can result in serious personal injury.

This product will accept Ryobi 40V lithium-ion battery packs only.

For complete charging instructions, refer to the Operator's Manuals for your Ryobi battery pack and charger models.

## **BATTERY PROTECTION FEATURES**

Ryobi lithium-ion batteries are designed with features that protect the lithium-ion cells and maximize battery life.

If the tool stops during use, release the bail to reset and resume operation. If the tool still does not work, the battery needs to be recharged.

## **WARNING:**

Always remove battery pack and fuse key from your tool when you are assembling parts, making adjustments, cleaning, or when not in use. Removing battery pack and fuse key will prevent accidental starting that could cause serious personal injury.

## **TO INSTALL BATTERY PACK**

See Figure 8.

- Raise the battery cover.
- Place the battery pack in the mower. Align raised ribs on battery pack with grooves in the mower's battery port.

## **WARNING:**

Make sure the latch on the bottom of the battery pack snaps in place and the battery pack is fully seated and secure in the mower's battery port before beginning operation. Failure to securely seat the battery pack could cause the battery pack to fall out, resulting in serious personal injury.

- Lower the battery cover.

## **TO REMOVE BATTERY PACK**

See Figure 8.

- Raise the battery cover.
- Press and hold the battery latch button at the bottom of the battery pack.
- Remove battery pack from the mower.

## **WARNING:**

To avoid serious personal injury, always remove the battery pack and fuse key when carrying or transporting the tool.

## **APPLICATIONS**

You may use this product for the purpose listed below:

- Mowing your lawn

## **STARTING/STOPPING THE MOWER**

See Figures 9 - 10.

- Raise the battery cover.
- Install battery pack.
- Insert the fuse key into the slot beside the battery port.
- Lower the battery cover.
- Press and hold the start button. Pull the bail toward the handle and release the button to start the mower.
- To stop the mower, release the bail.

## **MOWING TIPS**

- Make sure the lawn is clear of stones, sticks, wires, and other objects that could damage the lawn mower blades or motor. Do not mow over property stakes or other metal posts. Such objects could damage the blade or be accidentally thrown by the mower in any direction and cause serious personal injury to the operator and others.
- For a healthy lawn, always cut off one-third or less of the total length of the grass.
- When cutting heavy grass, reduce walking speed to allow for more effective cutting and a proper discharge of the clippings.
- Do not cut wet grass. It will stick to the underside of the deck and prevent proper bagging or mulching of grass clippings.

# OPERATION

- New or thick grass may require a narrower cut or a higher cutting height.
- Clean the underside of the mower deck after each use to remove grass clippings, leaves, dirt, and any other accumulated debris.

**NOTE:** Always stop mower, allow blades to completely stop, and remove the fuse key before cleaning underneath the mower.

## SLOPE OPERATION

See Figure 11.

### **WARNING:**

Slopes are a major factor related to slip and fall accidents that can result in severe injury. Operation on slopes requires extra caution. If you feel uneasy on a slope, do not mow it. For your safety, do not attempt to mow slopes greater than 15 degrees.

- Mow across the face of slopes, not up and down. Exercise extreme caution when changing direction on slopes.

- Watch for holes, ruts, rocks, hidden objects, or bumps which can cause you to slip or trip. Tall grass can hide obstacles. Remove all objects such as rocks, tree limbs, etc., which could be tripped over or thrown by the blade.
- Always be sure of your footing. A slip and fall can cause serious personal injury. If you feel you are losing your balance, release the upper bail immediately.
- Do not mow near drop-offs, ditches, or embankments; you could lose your footing or balance.

## EMPTYING THE GRASS CATCHER

See Figure 12.

- Stop the mower and allow blades to completely stop.
- Remove fuse key and battery pack.
- Lift the rear discharge door.
- Lift the grass catcher by its handle to remove from mower.
- Empty grass clippings.
- Lift the rear discharge door and reinstall the grass catcher as described earlier in this manual.
- Reinstall fuse key and battery pack when you are ready to mow.

# MAINTENANCE

### **WARNING:**

Before performing any maintenance, make sure the mower battery and fuse key are removed to avoid accidental starting and possible serious personal injury.

### **WARNING:**

When servicing, use only authorized replacement parts. Use of any other parts can create a hazard or cause product damage.

### **WARNING:**

Always wear eye protection with side shields marked to comply with ANSI Z87.1. Failure to do so could result in objects being thrown into your eyes resulting in possible serious injury.

## GENERAL MAINTENANCE

Avoid using solvents when cleaning plastic parts. Most plastics are susceptible to damage from various types of commercial solvents and may be damaged by their use. Use clean cloths to remove dirt, dust, oil, grease, etc.

### **WARNING:**

Do not at any time let brake fluids, gasoline, petroleum-based products, penetrating oils, etc., come in contact with plastic parts. Chemicals can damage, weaken, or destroy plastic which can result in serious personal injury.

Periodically check all nuts and bolts for proper tightness to ensure safe operation of the mower.

Remove any build-up of grass and leaves on or around the motor cover. Wipe the mower clean with a dry cloth occasionally. Do not use water.

# MAINTENANCE

## LUBRICATION

All of the bearings in this product are lubricated with a sufficient amount of high grade lubricant for the life of the unit under normal operating conditions. Therefore, no further bearing lubrication is required.

### **WARNING:**

Always protect hands by wearing heavy gloves and/or wrapping the cutting edges of the blade with rags and other material when performing blade maintenance. Contact with the blade could result in serious personal injury.

## REPLACING THE CUTTING BLADE

See Figures 13 - 14.

**NOTE:** Only use authorized replacement blades.

- Stop the motor and remove the fuse key. Allow blade to come to a complete stop.
- Remove the battery pack.
- Turn the mower on its side.
- Wedge a block of wood between the blade and mower deck to prevent the blade from turning.
- Loosen the blade nut by turning it counterclockwise (as viewed from bottom of mower) using a 15 mm wrench or socket (not provided).
- Remove the blade nut, spacer, blade insulator, and blade.
- Make certain the fan assembly is pushed completely against the motor shaft.
- Place the new blade on the shaft against the fan assembly. Ensure blade is properly seated with shaft going through center blade hole and the two blade posts inserted into their respective holes on the blade. Make sure it is installed with the curved ends pointing up toward

the mower deck and not down toward the ground. When seated properly, the blade should be flat against the fan assembly.

- Replace the blade insulator and spacer, then thread the blade nut on the shaft and finger tighten.  
**NOTE:** Make certain all parts are replaced in the exact order in which they were removed.
- Torque the blade nut down clockwise using a torque wrench (not provided) to ensure the bolt is properly tightened. The recommended torque for the blade nut is 350-400 in. lbs.

## STORING THE MOWER

See Figure 15.

- Remove the battery and fuse key and store in a secure location out of the reach of children.
- Before storage, wipe any dirt or debris from the battery area.
- Turn mower on its side and clean grass clippings that have accumulated on the underside of the mower deck.
- Wipe the mower clean with a dry cloth.
- Check all nuts, bolts, knobs, screws, fasteners, etc., for tightness.
- Inspect moving parts for damage, breakage, and wear. Have repairs made on any damaged or missing parts. Check blade for damage, uneven, or excessive wear and replace blade if these conditions exist.
- Lower the handle assembly as described earlier in this manual.
- Store mower indoors in a clean, dry place out of the reach of children.
- Do not store near corrosive materials such as fertilizer or rock salt.

# TROUBLESHOOTING

IF THESE SOLUTIONS DO NOT SOLVE THE PROBLEM CONTACT YOUR AUTHORIZED SERVICE DEALER.

PROBLEM	POSSIBLE CAUSE	SOLUTION
Handle not in position	Handle locks not locked.	Lock upper and lower handle locks.
Mower not starting	Battery is low in charge.	Charge the battery.
Mower cutting grass unevenly	Lawn is rough or cutting height not set properly.	Adjust the cutting height.
Mower not mulching properly	Wet grass clippings sticking to the underside of the deck.	Wait until the grass dries before mowing.
Mower hard to push	High grass, rear of mower housing and blade dragging in heavy grass, or cutting height too low.	Raise cutting height.
Mower not bagging properly	Cutting height set too low	Raise cutting height.
Mower vibrating at higher speed	Blade is unbalanced, excessively or unevenly worn.  Bent motor shaft.	Replace the blade.  Stop the motor, remove fuse key and battery. Inspect for damage. Have repaired by an authorized service center before restarting.
Motor stops while cutting	Cutting height set too low	Raise the cutting height



## MAKE THE MOST OF YOUR PURCHASE!

Go to <http://register.ryobitools.com> and register your new tool on-line.

Your product has been fully tested prior to shipment to ensure your complete satisfaction.

For any questions about operating or maintaining your product, call the Ryobi® Help Line!



# WARRANTY

## LIMITED WARRANTY STATEMENT

Techtronic Industries North America, Inc., warrants to the original retail purchaser that this RYOBI® brand outdoor product is free from defect in material and workmanship and agrees to repair or replace, at Techtronic Industries North America, Inc.'s, discretion, any defective product free of charge within these time periods from the date of purchase.

- Three years if the product is used for personal, family or household use;
- 90 days, if used for any other purpose, such as commercial or rental.

This warranty extends to the original retail purchaser only and commences on the date of the original retail purchase.

Any part of this product found in the reasonable judgment of Techtronic Industries North America, Inc. to be defective in material or workmanship will be repaired or replaced without charge for parts and labor by an authorized service center for RYOBI® brand outdoor products (Authorized Ryobi Service Center).

The product, including any defective part, must be returned to an authorized Ryobi service center within the warranty period. The expense of delivering the product to the service center for warranty work and the expense of returning it back to the owner after repair or replacement will be paid by the owner. Techtronic Industries North America, Inc.'s, responsibility in respect to claims is limited to making the required repairs or replacements and no claim of breach of warranty shall be cause for cancellation or rescission of the contract of sale of any RYOBI® brand outdoor product. Proof of purchase will be required by the dealer to substantiate any warranty claim. All warranty work must be performed by an authorized service dealer.

This warranty is limited to ninety (90) days from the date of original retail purchase for any RYOBI® brand outdoor product that is used for rental or commercial purposes, or any other income-producing purpose.

This warranty does not cover any product that has been subject to misuse, neglect, negligence, or accident, or that has been operated in any way contrary to the operating instructions as specified in this operator's manual. This warranty does not apply to any damage to the product that is the result of improper maintenance or to any product that has been altered or modified. The warranty does not extend to repairs made necessary by normal wear or by the use of parts or accessories which are either incompatible with the RYOBI® brand outdoor product or adversely affect its operation, performance, or durability. In addition, this warranty does not cover:

A. Tune-ups – Spark Plugs, Carburetor, Carburetor Adjustments, Ignition, Filters

B. Wear items – Bump Knobs, Outer Spools, Cutting Lines, Inner Reels, Starter Pulleys, Starter Ropes, Drive Belts, Tines, Felt Washers, Hitch Pins, Mulching Blades, Blower Fans, Blower and Vacuum Tubes, Vacuum Bag and Straps, Guide Bars, Saw Chains

C. This warranty does not cover the battery for more than one year from date of purchase.

Techtronic Industries North America, Inc., reserves the right to change or improve the design of any RYOBI® brand outdoor product without assuming any obligation to modify any product previously manufactured.

ALL IMPLIED WARRANTIES ARE LIMITED IN DURATION TO THE STATED WARRANTY PERIOD. ACCORDINGLY, ANY SUCH IMPLIED WARRANTIES INCLUDING MERCHANTABILITY, FITNESS FOR A PARTICULAR PURPOSE, OR OTHERWISE, ARE DISCLAIMED IN THEIR ENTIRETY AFTER THE EXPIRATION OF THE APPROPRIATE THREE-YEAR OR NINETY-DAY WARRANTY PERIOD. TECHTRONIC INDUSTRIES NORTH AMERICA, INC.'S, OBLIGATION UNDER THIS WARRANTY IS STRICTLY AND EXCLUSIVELY LIMITED TO THE REPAIR OR REPLACEMENT OF DEFECTIVE PARTS AND TECHTRONIC INDUSTRIES NORTH AMERICA, INC., DOES NOT ASSUME OR AUTHORIZE ANYONE TO ASSUME FOR THEM ANY OTHER OBLIGATION. SOME STATES DO NOT ALLOW LIMITATIONS ON HOW LONG AN IMPLIED WARRANTY LASTS, SO THE ABOVE LIMITATION MAY NOT APPLY TO YOU. TECHTRONIC INDUSTRIES NORTH AMERICA, INC., ASSUMES NO RESPONSIBILITY FOR INCIDENTAL, CONSEQUENTIAL, OR OTHER DAMAGES INCLUDING, BUT NOT LIMITED TO, EXPENSE OF RETURNING THE PRODUCT TO AN AUTHORIZED RYOBI SERVICE CENTER AND EXPENSE OF DELIVERING IT BACK TO THE OWNER, MECHANIC'S TRAVEL TIME, TELEPHONE OR TELEGRAM CHARGES, RENTAL OF A LIKE PRODUCT DURING THE TIME WARRANTY SERVICE IS BEING PERFORMED, TRAVEL, LOSS OR DAMAGE TO PERSONAL PROPERTY, LOSS OF REVENUE, LOSS OF USE OF THE PRODUCT, LOSS OF TIME, OR INCONVENIENCE. SOME STATES DO NOT ALLOW THE EXCLUSION OR LIMITATION OF INCIDENTAL OR CONSEQUENTIAL DAMAGES, SO THE ABOVE LIMITATION OR EXCLUSION MAY NOT APPLY TO YOU.

This warranty gives you specific legal rights, and you may also have other rights which vary from state to state.

This warranty applies to all RYOBI® brand outdoor products manufactured by or for Techtronic Industries North America, Inc., and sold in the United States and Canada.

To locate your nearest Authorized Ryobi Service Center, dial 1-800-860-4050.

# INSTRUCTIONS IMPORTANTES CONCERNANT LA SÉCURITÉ



## AVERTISSEMENT :

**LISEZ ET VEILLEZ À COMPRENDRE TOUTES LES INSTRUCTIONS.** Le non respect des instructions énumérées ci-dessous et sur la machine pourrait résulter en un choc électrique, un incendie, et/ou des blessures sérieuses.

## LISEZ TOUTES LES INSTRUCTIONS




- Cet outil coupant est capable d'amputer des mains et des pieds et projeter des objets. Le non respect de toutes les instructions de sécurité pourrait résulter en des blessures graves ou la mort.
- Éviter les environnements dangereux - N'utilisez pas la tondeuse dans un environnement mouillé ou humide et ne l'utilisez pas durant la pluie.
- Garder les enfants à l'écart - Garder les badauds, enfants et animaux domestiques à une distance minimum de 30,5 m (100 pi). Arrêter la machine si quelqu'un entre dans la zone.
- Des accidents tragiques peuvent survenir si l'opérateur n'est pas conscient de la présence des enfants. Les enfants sont souvent attirés par la machine et l'activité de tondaison. Ne prenez jamais pour acquis que les enfants resteront à l'endroit où vous les avez vus la dernière fois.
  - Assurez-vous que les enfants soient éloignés de la zone de coupe et qu'ils soient supervisés par un adulte autre que l'opérateur.
  - Soyez vigilant et éteignez la tondeuse si un enfant s'approche.
  - Ne permettez jamais à des enfants d'utiliser la machine.
  - Redoublez la prudence quand vous vous approchez des coins, des arbustes, des arbres ou d'autres objets qui peuvent masquer la présence d'un enfant.
- Porter une tenue appropriée - Porter des pantalons longs, manches longues, des chaussures de travail et des gants épais. Ne pas porter de vêtements amples, bijoux, shorts, sandales et ne pas travailler pieds nus. Ne porter aucun bijou. Ils peuvent être pris dans les parties en mouvement.
- Ne pas travailler hors de portée - Toujours se tenir bien campé et en équilibre. Le travail hors de portée risque de faire perdre l'équilibre.
- N'utilisez pas l'outil pieds nus ou si vous portez des sandales ou d'autres souliers légers de ce type. Portez des souliers de protection qui protégeront vos pieds et amélioreront votre équilibre sur des surfaces glissantes.
- Ne laissez pas la tondeuse sans surveillance quand elle est allumée ou une fois la clé-fusible fixée.
- Éloignez les mains et les pieds de la zone de coupe. Tenez vous éloigné de l'ouverture de décharge en tout temps.
- Utilisez la tondeuse seulement à la lumière du jour ou avec une bonne lumière artificielle.
- Portez toujours des lunettes de sécurité avec des écrans latéraux. Des lunettes de tous les jours résistent seulement aux chocs. Ce ne sont PAS des lunettes de sécurité. Le respect de cet avertissement réduira le risque d'une blessure à l'oeil. Utilisez un masque facial si la tâche est poussiéreuse.
- Porter des lunettes de sécurité - Toujours porter une protection oculaire avec écrans latéraux certifiée conforme à la norme ANSI Z87.1. Porter un masque facial ou un masque anti-poussière si le travail produit de la poussière.
- Utilisez l'outil approprié - N'utilisez pas la tondeuse pour aucune tâche sauf celle pour laquelle elle est conçue.
- Ne forcez pas la tondeuse - Elle exécutera le travail mieux et de façon plus sécuritaire à la vitesse pour laquelle elle fut conçue.
- Restez vigilant - Regardez ce que vous faites et utilisez votre meilleur jugement lorsque vous utilisez la tondeuse. N'utilisez pas la tondeuse si vous êtes fatigué, contrarié ou sous influence de drogues, d'alcool ou de médicaments. Un moment d'inattention pendant l'utilisation de la tondeuse peut résulter en une blessure grave.
- Faire l'entretien de la tondeuse avec soins - Gardez l'outil en bon état. Assurez-vous que les lames soient affûtées et que les dispositifs de protections soient en place et en état de fonctionnement. Remplacer les lames endommagées ou usées de façon inégale avant d'utiliser la tondeuse d'obtenir un rendement optimal.
- Vérifiez fréquemment si tous les écrous, boulons et vis sont serrés pour s'assurer que l'équipement est sécuritaire. Les lames de tondeuse sont tranchantes. Envelopper la lame ou porter des gants et prendre beaucoup de précautions lors de l'entretien.
- Ne pas jeter le pile au feu. La cellule peut exploser. Vérifier les codes locaux pour connaître toute instruction spéciale relative à l'élimination des piles.
- Arrêter le moteur, attendre que la lame s'arrête complètement et retirer la clé-fusible et bloc-piles avant de nettoyer la tondeuse, d'enlever le collecteur d'herbe ou retrait du capuchon du broyeur.
- Remplacer la lame si elle est pliée ou fissurée. Une lame déséquilibrée provoque des vibrations qui peuvent endommager le moteur de l'appareil et provoquer des blessures. Affûter également les extrémités de la lame émoussée afin de maintenir l'équilibre. Nettoyer complètement la lame et vérifier son équilibre en la déposant à l'horizontale et en plaçant l'orifice du centre sur un petit clou. Le clou doit être placé à l'horizontale. Si l'une des extrémités de la lame tourne vers le bas, enlever un peu de métal de la partie épaisse inférieure de la lame jusqu'à ce que celle-ci soit équilibrée. Une lame équilibrée lorsqu'aucune extrémité n'est inclinée.
- Quand la tondeuse n'est pas utilisée, elle devrait être entreposée à l'intérieur, dans un endroit sec et sécuritaire - loin de la portée des enfants. Retirer la clé-fusible et la ranger dans un endroit situé hors de la portée des enfants.
- Toujours, utiliser des dispositifs de protection. N'utilisez pas la tondeuse sans le collecteur d'herbe, le capuchon du broyeur et porte arrière de décharge en place et fonctionne correctement.
- Ne pas ouvrir ou altérer le bloc de batteries. L'électrolyte est un produit corrosif pouvant causer des lésions cutanées ou oculaires. Il peut être toxique en cas d'ingestion.
- Suivez les instructions du fabricant relatives à l'installation et l'utilisation des accessoires. Utilisez seulement des accessoires approuvés par le fabricant.
- Manipuler les batteries avec soin pour éviter des courts-circuits avec des objets conducteurs comme des anneaux, des bracelets et des clés. La batterie ou l'objet conducteur peuvent surchauffer et causer des brûlures.

# INSTRUCTIONS IMPORTANTES CONCERNANT LA SÉCURITÉ










- Nettoyez la zone de travail avant chaque utilisation. Enlevez tous les objets tels que les roches, les branches, métal, les fils, les os, les jouets et d'autres objets qui peuvent être projetés par la lame. Restez en arrière de la poignée quand le moteur est en marche.
- Évitez les trous, les ornières, les roches, bornes de propriété ou d'autres objets cachés. Un terrain accidenté pourrait provoquer un glissement et vous faire tomber par accident.
- Ne tondez pas près des dépressions, fossés ou des berges.
- Tondez les pentes dans le sens transversal, jamais en montant ou en descendant. Soyez particulièrement prudent lors des changements de direction sur les terrains en pente.
- Planifiez le parcours de la tondeuse pour éviter d'éjecter les matériaux sur les routes, les trottoirs, les passants, etc. Évitez également d'éjecter les matériaux sur un mur ou une obstruction ce qui pourrait causer un matériau d'être projeté par ricochet en direction de l'opérateur.
- Ne tondez pas l'herbe mouillée ou sur des pentes excessivement raides. Une mauvaise position peut vous faire glisser et tomber par accident. Marchez, ne courez jamais.
- Redoublez la prudence si vous vous approchez des coins, des arbustes, des arbres ou d'autres objets qui vous cachent la vue.
- Ne tirez jamais la tondeuse vers l'arrière à moins que cela soit absolument nécessaire. Si vous devez tirer la tondeuse pour éviter un mur ou une obstruction, commencez par regarder en bas et en arrière pour ne pas trébucher o tirando la podadora hacia los pies.
- N'éjectez jamais du matériel en direction de quelqu'un. Évitez d'éjecter le matériel sur un mur ou une obstruction. Le matériel pourrait être projeté par ricochet en direction de l'opérateur. Arrêtez la lame quand vous traversez des surfaces recouvertes de gravier.
- Des objets frappés par la lame de la tondeuse peuvent causer des sérieuses blessures. La pelouse devrait toujours être examinée attentivement et nettoyée de tout objet avant la tondaison.
- Si la tondeuse frappe un objet étranger, suivez ces étapes:
  - Arrêter la tondeuse en relâchant l'anse, attendre que la lame s'arrête complètement, puis retirer la clé-fusible.
  - Arrêtez la tondeuse et relâchez le levier de commande.
  - Remplacer la lame si elle est endommagée de quelque façon que ce soit Réparez tout dommage avant de démarrer et de continuer à utiliser la tondeuse.
- Arrêter le moteur, attendre que la lame s'arrête complètement et retirer la clé-fusible avant de déboucher la goulotte. La lame continue de tourner pendant quelques secondes après que le moteur soit arrêté. Ne mettez jamais aucune partie du corps dans la proximité de la lame avant d'être certain que la lame a cessé de tourner.
- Si la tondeuse commence à vibrer de façon anormale, arrêtez le moteur et vérifiez immédiatement la cause. Remplacer la lame si elle est usée de façon inégale ou endommagée de quelque façon que ce soit. La vibration est généralement un signe d'un problème.
- Le produit doit être réparé par un personnel qualifié seulement. Des réparations ou l'entretien effectués par un personnel non qualifié pourrait résulter en des blessures pour l'utilisateur ou endommager le produit.
- Lors de réparation du produit, utilisez pièces de remplacement autorisées. Utiliser uniquement des lames de rechange identiques. L'utilisation des pièces non autorisées peut créer un risque d'une blessure sérieuse à l'utilisateur ou endommager le produit.
- Conserver ou remplacer les étiquettes d'instructions de sécurité, si nécessaire.
- Déconnecter le bloc-piles – Débrancher l'appareil de la source d'alimentation avant d'entreposer, d'effectuer l'entretien, transport, ou de changer les accessoires comme la lame. Ces mesures de sécurité réduisent les risques de démarrage accidentel de l'outil.
- Arrêter l'produit et retirer le bloc de piles et clé-fusible lorsqu'il n'est pas utilisé. Attendre ou mettre l'arrêt complet du moteur et la clé-fusible et le bloc-piles retirés de la tondeuse avant de déplacer l'produit.
- Les outils fonctionnant sur batteries n'ayant pas besoin d'être branchés sur une prise secteur, ils sont toujours en état de fonctionnement. Tenir compte des dangers possibles lorsque l'outil n'est pas en usage et lors du remplacement des batteries. Le respect de cette règle réduira les risques d'incendie, de choc électrique et de blessures graves.
- Ne pas utiliser un appareil alimenté par batterie sous la pluie.
- Retirer ou débrancher la batterie avant l'entretien ou le nettoyage de l'outil de jardin ou avant d'en retirer des matériaux.
- Ne recharger qu'avec l'appareil indiqué. Pour utiliser l'appareil avec des piles au lithium-ion de 40 V, consulter le supplément de raccordement pour chargeur/outils/piles/appareil n° 988000-842.
- Ranger les appareils qui ne sont pas utilisés à l'intérieur – lorsque la tondeuse n'est pas utilisé, le ranger à l'intérieur dans un endroit sec et verrouillé hors de la portée des enfants.
- Suivre les instructions de lubrification et de changement d'accessoires.
- Maintenir les dispositifs de protection en place et en bon état de fonctionnement.
- Garder les lames affûtées.
- Éloigner les mains et les pieds de la zone de coupe.
- Faire fonctionner cet appareil ne doit être permis qu'aux adultes responsables et familiers avec les instructions.
- Ne jamais faire fonctionner l'appareil dans un endroit clos.
- Ne jamais modifier les dispositifs de sécurité. Vérifier périodiquement l'état de fonctionnement.
- Conserver ces instructions. Les consulter fréquemment et les utiliser pour instruire les autres utilisateurs éventuels. Si cet outil est prêté, il doit être accompagné de ces instructions.

# SYMBOLES

Les termes de mise en garde suivants et leur signification ont pour but d'expliquer le degré de risques associé à l'utilisation de ce produit.


SYMBOLE	SIGNAL	SIGNIFICATION
	<b>DANGER :</b>	Indique une situation extrêmement dangereuse qui, si elle n'est pas évitée, aura pour conséquences des blessures graves ou mortelles.
	<b>AVERTISSEMENT :</b>	Indique une situation potentiellement dangereuse qui, si elle n'est pas évitée, pourrait entraîner des blessures graves ou mortelles.
	<b>ATTENTION :</b>	Indique une situation potentiellement dangereuse qui, si elle n'est pas évitée, pourrait entraîner des blessures légères ou de gravité modérée.
	<b>ATTENTION :</b>	(Sans symbole d'alerte de sécurité) Indique une situation pouvant entraîner des dommages matériels.

Certains des symboles ci-dessous peuvent être utilisés sur produit. Veiller à les étudier et à apprendre leur signification. Une interprétation correcte de ces symboles permettra d'utiliser produit plus efficacement et de réduire les risques.

SYMBOLE	NOM	DÉSIGNATION / EXPLICATION
	Symbole d'alerte de sécurité	Indique un risque de blessure potentiel.
	Lire manuel d'utilisation	Pour réduire les risques de blessures, l'utilisateur doit lire et veiller à bien comprendre le manuel d'utilisation avant d'utiliser ce produit.
	Protection oculaire	Toujours porter une protection oculaire avec écrans latéraux certifiée conforme à la norme ANSI Z87.1.
	Avertissement concernant l'humidité	Ne pas exposer à la pluie ou l'humidité.
	Choc électrique	Ne pas utiliser la machine dans un endroit sec ou ne pas respecter les pratiques de sécurité peut entraîner un choc électrique.
	Garder les mains et les pieds à l'écart	Garder les mains et les pieds à l'écart de la lame et de la zone de coupe.
	Se tenir loin	Ne pas mettre ses mains ou ses pieds en dessous du châssis de la tondeuse.
	Éviter les pentes	Ne pas utiliser sur des pentes de plus de 15°. Tondre les pentes dans le sens transversal, jamais en montant ou en descendant.
	Tenir les enfants et les curieux à bonne distance	Tenir les enfants et les curieux à une distance de 30,5 m (100 pi) au moins.

# SYMBOLES

Certains des symboles ci-dessous peuvent être utilisés sur produit. Veiller à les étudier et à apprendre leur signification. Une interprétation correcte de ces symboles permettra d'utiliser produit plus efficacement et de réduire les risques.

SYMBOLE	NOM	DÉSIGNATION / EXPLICATION
	Symboles de recyclage	Ce produit utilise les piles de lithium-ion (Li-ion). Les réglementations locales ou gouvernementales peuvent interdire de jeter les piles dans les ordures ménagères. Consulter les autorités locales compétentes pour les options de recyclage et/ou l'élimination.
V	Volts	Tension
A	Ampères	Intensité
Hz	Hertz	Fréquence (cycles par seconde)
W	Watt	Puissance
hrs	Heures	Durée

# CARACTÉRISTIQUES

## CARACTÉRISTIQUES DU PRODUIT

Pile.....	40 V
Chemin de coupe.....	406,4 mm (16 po)
Réglages de la hauteur.....	19,05 mm à 69,85 mm (3/4 po à 2-3/4 po)

Grandeur des roues.....	146,05 mm (5-3/4 po) en avant 177,8 mm (7 po) en arrière
Poids .....	18,14 kg (40 lb)

## APPRENEZ À CONNAÎTRE VOTRE TONDEUSE

Voir la figure 1.

L'utilisation sécuritaire de ce produit nécessite une compréhension de l'information sur le produit et dans le manuel de l'utilisation ainsi que la connaissance du projet à effectuer. Avant d'utiliser ce produit, familiarisez-vous avec toutes les fonctions d'utilisation et les règles de sécurité.

## COUVERCLE DES PILES

Le couvercle de pile protège le logement de piles contre les débris.

## POIGNÉE DE TRANSPORT

La tondeuse comporte une poignée qui facilite le transport.

## CLÉ-FUSIBLE

Vous devez insérer la clé-fusible avant que la tondeuse puisse démarrer.

## COLLECTEUR D'HERBE

Le collecteur d'herbe recueille les brins d'herbe et empêche qu'ils soient éparpillés sur le gazon au moment de la tonte.

## LEVIER DE RÉGLAGE DE LA HAUTEUR

Le levier de réglage de la hauteur permet d'effectuer des réglages de la hauteur.

## DISPOSITIF DE COMMANDE DU MOTEUR/ DE LA LAME

Le dispositif de commande du moteur/lame situé sur la poignée supérieure de la tondeuse démarre et arrête le moteur et la lame.

## INSERT BROYEUR

La tondeuse est équipée d'un insert broyeur qui recouvre l'ouverture de décharge arrière, et qui permet de couper et de recouper l'herbe pour produire des brins plus fins.

# ASSEMBLAGE

## DÉBALLAGE

Ce produit nécessite l'assemblage.

- Retirez prudemment l'outil et les accessoires de la boîte. Assurez-vous que tous les articles énumérés dans la liste de colisage sont inclus.

### AVERTISSEMENT :

Ne pas utiliser le produit si, en le déballant, vous constatez que des éléments figurant dans la liste d'expédition sont déjà assemblés. Certaines pièces figurant sur cette liste n'ont pas été assemblées par le fabricant et exigent une installation. Le fait d'utiliser un produit qui a été assemblé de façon inadéquate peut entraîner des blessures.

- Vérifiez attentivement si l'outil n'a pas subi des dommages ou des bris pendant le transport.
- Ne jetez pas l'emballage avant d'avoir inspecté l'outil et avant d'avoir vérifié s'il fonctionne correctement.
- Si des pièces sont manquantes ou endommagées, veuillez appeler au 1-800-860-4050 pour obtenir de l'aide.

## LISTE D'EXPÉDITION

Tondeuse  
Clé-fusible  
Insert broyeur  
Collecteur d'herbe  
Manuel d'utilisation

### AVERTISSEMENT :

Si des pièces manquent ou sont endommagées, ne pas utiliser ce produit avant qu'elles aient été remplacées. Le fait d'utiliser ce produit même s'il contient des pièces endommagées ou s'il lui manque des pièces peut entraîner des blessures graves.

### AVERTISSEMENT :

N'essayez pas de modifier cet outil ou de créer des accessoires non recommandés pour utilisation avec ce produit. Toute transformation ou modification de ce genre est un cas de mauvais usage qui peut créer des risques de blessures graves.

### AVERTISSEMENT :

Ne insérer la clé-fusible ou le bloc-piles complétez l'assemblage vous êtes prêt à tonte. Le non respect de cet avertissement pourrait résulter en un démarrage accidentel et des blessures corporelles graves.

# ASSEMBLAGE

## **AVERTISSEMENT :**

Pour empêcher commencer accidentel, ne pas faire d'ajustement ou des installations avec la clé-fusible ou le bloc-piles insérée. Le démarrage accidentel de la tondeuse pendant l'assemblage peut entraîner des blessures graves.

## **AVERTISSEMENT :**

N'utilisez jamais la tondeuse sans les dispositifs de sécurité appropriés en place et en état de marche. N'utilisez jamais la tondeuse si les dispositifs de sécurité sont endommagés. Le fait d'utiliser la tondeuse si des pièces sont manquantes ou endommagées peut entraîner des blessures graves.

## **DÉVOILEMENT ET AJUSTEMENT ENSEMBLE DE POIGNÉE**

*Voir les figure 2 et 3.*

### **Pour soulever l'assemblage de poignée :**

- Ouvrir les verrous de la poignée inférieure.
- Tirer la poignée inférieure vers le haut et l'arrière jusqu'à ce qu'elle s'aligne avec la fente située entre les verrous de la poignée et le logement du moteur.

**NOTE :** Si la poignée inférieure est difficile à déplacer, tourner les verrous de la poignée inférieure dans le sens des aiguilles d'une montre pour libérer la poignée.

- Fermer les verrous de la poignée inférieure pour fixer solidement la poignée en place.

**NOTE :** Si la poignée inférieure est lâche ou ne repose pas complètement dans la fente, tourner les verrous de la poignée inférieure dans le sens contraire aux aiguilles d'une montre pour fixer solidement la poignée.

- Ouvrir les verrous de la poignée supérieure.
- Tirer la poignée vers le haut et l'arrière pour la soulever en position de fonctionnement. S'assurer que la poignée inférieure repose contre les rainures situées au bas de la poignée supérieure.
- Fermer les verrous de la poignée supérieure pour fixer solidement la poignée en place.

**NOTE :** Si la poignée supérieure est lâche ou se sépare de la poignée inférieure, serrez les boutons de verrouillage de la poignée supérieure en les tournant dans le sens des aiguilles d'une montre.

### **Pour abaisser l'assemblage de poignées :**

- Ouvrir les verrous de la poignée supérieure.  
**NOTE :** Si le verrou de la poignée est difficile à ouvrir, dévisser les boutons de verrouillage de la poignée supérieure en les tournant dans le sens contraire aux aiguilles d'une montre.
- Abaisser la poignée supérieure.
- Ouvrir le verrou de la poignée inférieure.
- Pousser les deux côtés de la poignée inférieure vers l'extérieur jusqu'à ce qu'elle se dégage de la fente. Puis, plier la poignée vers l'avant de l'appareil. Éviter de pincer ou de coincer les câbles.

## **INSTALLATION DE L'INSERT BROYEUR (POUR LE DÉCHIQUETAGE)**

*Voir la figure 4.*

**NOTE :** Lorsque vous utilisez le dispositif de paillage n'installez pas le dispositif de paillage

- Retirer la clé-fusible et bloc-piles.
- Soulever le couvercle de la décharge arrière et le maintenir en place.
- Saisir le déflecteur pour déchiquetage par sa poignée et l'insérer à un angle faible, tel qu'illustré.
- Pousser solidement le déflecteur pour déchiquetage en place.
- Relâchez le couvercle de la décharge arrière.
- Réinstaller la clé-fusible et le bloc-piles dès le moment de la tonte.

## **INSTALLATION DU COLLECTEUR D'HERBE (POUR ARRIÈRE UTILISATION D'ENSACHAGE)**

*Voir les figures 5 et 6.*

**NOTE :** En utilisant le collecteur d'herbe, ne pas installer le l'insert broyeur.

- Retirer la clé-fusible et bloc-piles.
- Levez le couvercle d'éjection arrière.
- Levez le collecteur d'herbe par sa poignée et mettez-le couvercle d'éjection arrière de façon à ce que les crochets sur le collecteur d'herbe s'appuient sur la boîte du tondeuse.
- Relâchez le couvercle d'éjection arrière.
- Réinstaller la clé-fusible et le bloc-piles dès le moment de la tonte.

## **RÉGLAGE DE LA HAUTEUR DE LA LAME**

*Voir la figure 7.*

Pour l'expédition, les roues de la tondeuse sont réglées à la position de coupe au ras de sol. Avant d'utiliser la tondeuse pour la première fois, réglez la position de coupe à la hauteur la mieux adaptée à votre pelouse. Une pelouse moyenne devrait avoir de 38,10 mm à 50,80 mm (1-1/2 po à 2 po) pendant les mois de temps froid et entre 50,80 et 82,55 mm (2 po à 3-1/4 po) pendant les mois de temps chaud.

### **Pour régler la hauteur de la lame:**

- Retirer la clé-fusible et bloc-piles.
- Pour augmenter la hauteur de la lame, attrapez le levier de réglage de la hauteur et poussez-le vers l'arrière de la tondeuse.
- Pour diminuer la hauteur de la lame, attrapez le levier de réglage de la hauteur et poussez-le vers l'avant de la tondeuse.
- Réinstaller la clé-fusible et le bloc-piles dès le moment de la tonte.

# UTILISATION

## **AVERTISSEMENT :**

Ne laissez pas la familiarité tirée d'une utilisation fréquente de ce type de produit atténuer votre vigilance. Souvenez-vous qu'une fraction de seconde d'inattention suffit à infliger des blessures graves.

## **AVERTISSEMENT :**

Toujours porter une protection oculaire munie d'écrans latéraux certifiée conforme à la norme ANSI Z87.1, ainsi qu'une protection auditive lors de l'utilisation de cet outil. Si cette précaution n'est pas prise, des objets peuvent être projetés dans les yeux et causer des lésions graves.

## **AVERTISSEMENT :**

N'utilisez aucun ajout ni accessoire non-recommandé par le fabricant de ce produit. L'utilisation des ajouts ou des accessoires non recommandés pourrait résulter en des blessures corporelles graves.

## **AVERTISSEMENT :**

Inspecter le produit afin de s'assurer qu'aucune pièce et la lame est endommagée ou si elle est usée de façon inégale ou excessive. Le fait d'utiliser la tondeuse si des pièces sont manquantes ou endommagées peut entraîner des blessures graves.

Ce produit est compatible avec les piles 40 V au lithium-ion de Ryobi.

Pour prendre connaissance de l'ensemble des instructions relatives à la charge, consulter les manuels d'utilisation des batteries de Ryobi et des modèles de chargeur connexes.

## **CARACTÉRISTIQUES RELATIVES À LA PROTECTION DES PILES**

Les piles au lithium ion de Ryobi sont conçues de manière à protéger les piles au lithium ion et à maximiser l'autonomie des piles.

Si l'outil s'arrête en cours d'utilisation, relâcher le anse pour le réenclencher et reprendre l'opération. Si l'outil ne fonctionne toujours pas, cela signifie qu'il est nécessaire de recharger la pile.

## **AVERTISSEMENT :**

Toujours retirer la pile et le clé-fusible de l'outil au moment d'assembler des pièces, d'effectuer des réglages et de procéder au nettoyage, ou lorsque l'outil n'est pas utilisé. Le fait de retirer la pile et le clé-fusible permet d'empêcher un démarrage accidentel pouvant entraîner des blessures graves.

## **INSTALLATION DU BLOC-PILES**

*Voir la figure 8.*

- Ouvrir la couvercle des piles.
- Insérer le bloc-piles dans le tondeuse. Aligner la nervure en saillie du bloc-piles sur la rainure du logement du tondeuse.

## **AVERTISSEMENT :**

S'assurer que le loquet au bas du bloc-piles s'enclenche et que le bloc-piles est installé et fixé correctement au tondeuse avant de commencer le travail. Ne pas installer et fixer correctement le bloc-piles peut provoquer la chute de ce dernier et occasionner des blessures graves.

- Fermeture la couvercle des piles.

## **RETRAIT DU BLOC-PILES**

*Voir la figure 8.*

- Ouvrir la couvercle des piles.
- Appuyer sur le loquet sur le bas du bloc-piles pour le séparer du tondeuse.
- Retirer le bloc-piles du tondeuse.

## **AVERTISSEMENT :**

Toujours, retirer le bloc-piles et la clé-fusible lorsque l'on porte ou transporte cet outil pour éviter les blessures graves.

## **APPLICATIONS**

Vous pouvez utiliser cet outil pour les tâches énumérées ci-dessous:

- Tondaison de votre pelouse

## **DÉMARRAGE/ARRÊT DE LA TONDEUSE**

*Voir les figures 9 et 10.*

- Ouvrir la couvercle des piles.
- Installer le bloc-piles.
- Insérer la clé-fusible dans la fente à proximité du compartiment de la pile.
- Fermeture la couvercle des piles.
- Appuyer sur le bouton « Start » (Démarrer). Tirer l'anse vers la poignée et relâcher le bouton pour démarrer la tondeuse.
- Pour arrêter la tondeuse, relâcher l'anse.

## **CONSEILS DE TONDAISON**

- Assurez-vous que la pelouse est libre des pierres, des branches, des fils et d'autres objets qui pourraient endommager le moteur ou les lames de la tondeuse. Ne pas faire passer la tondeuse par-dessus les bornes de propriété ou autres poteaux en métal. De tels objets pourraient endommager la lame ou être accidentellement



# UTILISATION

projetés par la tondeuse dans toutes directions et causer des blessures graves à l'opérateur ou aux autres.

- Pour une pelouse en santé, coupez toujours un-tiers ou moins de la longueur totale de l'herbe.
- Quand vous coupez de l'herbe épaisse, marchez plus lentement pour permettre à l'outil à couper plus efficacement et à éjecter les brins de façon appropriée.
- Ne coupez pas de l'herbe humide. Elle collera au-dessous du châssis et empêche l'ensachage ou le déchiquetage appropriés des brins d'herbe.
- De l'herbe nouvelle ou épaisse peut nécessiter une coupe plus étroite ou augmentez la hauteur de coupe.
- Nettoyez le dessous du châssis après chaque utilisation pour enlever les brins d'herbes, les feuilles, la saleté et tout autre débris accumulé.

**NOTE:** Toujours arrêter la tondeuse, permettre aux lames de s'arrêter complètement et retirer la clé-fusible avant de nettoyer le dessous de la tondeuse.

## UTILISATION SUR LES PENTES

Voir la figure 11.

### **AVERTISSEMENT :**

Les pentes sont un facteur majeur relié aux glissements et des chutes accidentelles qui peuvent résulter en des blessures graves. L'utilisation de la tondeuse sur les pentes nécessite des précautions spéciales. Si vous n'êtes pas confortable sur une pente, ne la tondez pas. Pour votre sécurité, n'essayez pas de tondre des pentes de plus de 15 degrés.

- Tondez les pentes dans le sens transversal, jamais en montant ou en descendant. Soyez particulièrement prudent lors des changements de direction sur les terrains en pente.
- Faites attention aux trous, ornières, roches, objets cachés ou bosses qui peuvent provoquer un glissement ou une chute. De l'herbe haute peut cacher des obstacles. Enlevez tous les objets tels que les roches, les racines, etc. qui peuvent être projetés par la lame ou qui pourraient provoquer une chute.
- Soyez toujours sûr de votre position. Un glissement ou une chute peuvent causer une blessure grave. Si vous sentez que vous perdez l'équilibre, relâchez immédiatement la anse supérieure.
- Ne tondez pas près des dépressions, des fossés ou des berges; vous pourriez perdre l'équilibre.

## VIDER LE COLLECTEUR D'HERBE

Voir la figure 12.

- Arrêter la tondeuse, laisser les lames s'arrêter complètement.
- Retirer la clé-fusible et bloc-piles.
- Ouvrir la couvercle des piles et retirer la clé-fusible.
- Soulever le couvercle d'éjection arrière.
- Soulever le collecteur d'herbe par sa poignée afin de le retirer de la tondeuse.
- Jetez les brins d'herbe.
- Soulever le couvercle arrière et réinstaller le collecteur d'herbe, comme décrit précédemment dans le présent manuel.
- Réinstaller la clé-fusible et le bloc-piles dès le moment de la tonte.

# ENTRETIEN

### **AVERTISSEMENT :**

Lors de réparation du produit, s'assurer que la pile et la clé-fusible de la tondeuse ont été retirées afin d'éviter un démarrage accidentel et des blessures graves.

### **AVERTISSEMENT :**

Utiliser exclusivement des pièces autorisées pour les réparations. L'usage de toute autre pièce pourrait créer une situation dangereuse ou endommager le produit.

### **AVERTISSEMENT :**

Toujours porter une protection oculaire avec écrans latéraux certifiée conforme à la norme ANSI Z87.1. Si cette précaution n'est pas prise, des objets peuvent être projetés dans les yeux et causer des lésions graves.

## ENTRETIEN GÉNÉRAL

Évitez d'utiliser des solvants quand vous nettoyez des pièces en plastique. La plupart des plastiques résistent mal aux plusieurs types de solvants de commerce et peuvent être endommagés par leur utilisation. Utilisez des chiffons secs pour enlever la saleté, la poussière, l'huile, la graisse, etc.

## **AVERTISSEMENT :**

Ne permettez jamais à ce que les liquides pour freins, la gazoline, les produits à base de pétrole, les huiles dégriffantes, etc entrent en contact avec les pièces en plastique. Les produits chimiques peuvent endommager, affaiblir ou détruire le plastique ce qui peut résulter en des blessures graves.

Vérifiez périodiquement si les écrous et les boulons sont serrés pour s'assurer de fonctionnement sécuritaire de la tondeuse.

Enlevez toute accumulation d'herbe ou des feuilles sur ou autour du couvercle du moteur. Essuyez la tondeuse avec un chiffon sec à l'occasion. N'utilisez pas de l'eau.

## **LUBRIFICATION**

Tous les roulements de cet outil sont lubrifiés à l'aide d'une quantité suffisante de lubrifiant de haute qualité pour toute la durée de l'outil dans des conditions normales d'utilisation. Alors, aucune lubrification ultérieure n'est nécessaire.

## **AVERTISSEMENT :**

Protégez toujours vos mains en portant des gants épais ou en enveloppant les bords tranchants de la lame avec des chiffons ou d'autre matériau quand vous effectuez l'entretien de la lame. Contact avec la lame résulter en des blessures graves.

## **REPLACEMENT DE LA LAME**

*Voir les figures 13 et 14.*

**NOTE:** Utiliser seulement des pièces de remplacement lames.

- Arrêtez le moteur et coupez l'alimentation électrique et retirez la clé-fusible. Attendez que la lame s'immobilise complètement.
- Retirer le bloc-pile.
- Tournez la tondeuse de côté.
- Mettez une pièce de bois entre la lame et le châssis de la tondeuse pour empêcher la lame de tourner.
- Desserrez l'écrou de la lame en le tournant dans le sens antihoraire (par rapport au bas de la tondeuse) en utilisant une clé de 15 mm ou une douille (non fournies).

- Enlevez l'écrou de lame, l'écarteur, l'isolant de lame et la lame.
- Assurez-vous que le ventilateur est poussé complètement sur l'arbre du moteur.
- Placez la nouvelle lame sur l'arbre contre le ventilateur. S'assurer que la lame est bien appuyée sur l'arbre. Celui-ci doit passer dans le trou central de la lame et les deux tiges pour lame doivent s'insérer dans leur trou respectif sur la lame. Assurez-vous que les bouts incurvés soient orientés en direction du châssis de la tondeuse et non en direction du sol. Une fois bien appuyée, la lame devrait être à plat contre l'ensemble ventilateur.
- Remettez l'isolant de lame et l'écarteur, vissez l'écrou de lame sur l'arbre et serrez à main.  
**NOTE :** Assurez-vous que toutes les pièces soient replacées dans l'ordre exact dans lequel elles ont été enlevées.
- Serrez l'écrou de lame sens horaire en utilisant une clé dynamométrique (non fournie) pour s'assurer que l'écrou est bien serré. Le couple de serrage recommandé pour l'écrou de lame est de 350-400 po lbs.

## **ENTREPOSAGE DE LA TONDEUSE**

*Voir la figure 15.*

- Retirez la pile et la clé-fusible et emmagasiner dans un emplacement assuré de la portée d'enfants.
- Avant de ranger le produit, essuyer toute saleté ou tout débris se trouvant dans l'environnement de la pile.
- Tournez la tondeuse sur un côté et nettoyez les brins d'herbe accumulés en dessous du châssis de la tondeuse.
- Essuyez la tondeuse avec un chiffon sec.
- Vérifiez si les écrous, les boulons, les boutons, les vis, les attaches, etc sont serrés.
- Vérifiez si les pièces détachables ne sont pas endommagées, brisées ou usées. Faites réparer toutes les pièces manquantes ou endommagées. Vérifier si la lame est endommagée ou si elle est usée de façon inégale ou excessive, et la remplacer le cas échéant.
- Abaisser la ensemble de poignée, tel que décrit précédemment dans ce manuel.
- Entrez la tondeuse à l'intérieur dans un endroit propre et sec, loin de la portée des enfants.
- N'entrez pas près des matériaux corrosifs tels que les engrais ou le sel gemme.

# DÉPANNAGE

SI LES PRÉSENTES SOLUTIONS NE RÉSOLVENT PAS LE PROBLÈME, CONTACTER LE CENTRE DE RÉPARATIONS AGRÉÉ.

PROBLÈME	CAUSE POSSIBLE	SOLUTION
Poignée en mauvaise position	Verrous de poignée ouverts.	Fermer les verrous des poignées supérieure et inférieure.
La tondeuse ne démarre pas.	La batterie est basse dans la charge.	Charger le bloc-pile.
La tondeuse coupe l'herbe de façon inégale.	La pelouse est raboteuse ou la hauteur de la coupe n'est pas bien réglée.	Régler la hauteur de coupe.
La tondeuse ne broie pas correctement.	Des brins d'herbe humides sont collés au-dessous du châssis.	Attendez que l'herbe sèche avant de tondre.
Il est difficile de pousser la tondeuse.	L'herbe est haute, l'arrière du carter de la tondeuse et la lame traînent dans de l'herbe épaisse ou la hauteur de coupe est trop basse.	Augmentez la hauteur de coupe.
La tondeuse n'ensache pas l'herbe adéquatement.	La hauteur de coupe est trop basse.	Augmentez la hauteur de coupe.
La tondeuse vibre à une vitesse élevée.	La lame est déséquilibrée, usée de façon excessive ou inégale.  L'arbre du moteur plié.	Remplacer la lame  Arrêtez le moteur, retirer la clé-fusible et la pile. Inspecter les pièces afin de s'assurer qu'elles ne sont pas endommagées. Faites réparer par un centre de réparations agréé avant de redémarrer.
Si le moteur s'arrête pendant la tonte de la pelouse	La hauteur de coupe est trop basse	Augmentez la hauteur de coupe.



## TIREZ LE MEILLEUR PARTI DE VOTRE ACHAT!

Visitez le site <http://register.ryobitools.com> pour enregistrer votre nouvel outil en ligne.

Ce produit a été entièrement testé avant expédition pour assurer la complète satisfaction de l'utilisateur.

Pour toute question concernant l'utilisation ou l'entretien du produit, appeler le service d'assistance téléphonique Ryobi®!

# GARANTIE

## ÉNONCÉ DE LA GARANTIE LIMITÉE

Techtronic Industries North America, Inc., garantit à l'acheteur original que ce produit RYOBI® est exempt de tous vices de matériaux ou de fabrication et s'engage à réparer ou remplacer gratuitement, à son choix, tout produit s'avérant défectueux au cours des périodes indiquées ci-dessous, à compter de la date d'achat.

- Trois ans sur les produits utilisés par des particuliers ;
- 90 jours sur les produits utilisés à toutes autres fins, telles que les travaux commerciaux et la location.

Cette garantie n'est offerte qu'à l'acheteur original et entre en vigueur à la date de l'achat original.

Toute pièce de ce produit jugée, après évaluation raisonnable par Techtronic Industries North America, Inc., comme présentant des vices de matériaux ou de fabrication, sera réparée ou remplacée, sans facturation pour pièces ou main d'oeuvre par un centre de réparations agréé pour produits d'extérieur de marque RYOBI® (centre de réparations Ryobi agréé).

Le produit, y compris toutes les pièces défectueuses devront être retournés à un centre de réparations Ryobi agréé, avant expiration de la période de garantie. Les frais d'expédition au centre de réparations pour les travaux sous garantie et de retour au propriétaire du produit seront assumés par le propriétaire. En ce qui concerne les réclamations en garantie, la responsabilité Techtronic Industries North America, Inc., se limitera à la réparation ou au remplacement des produits défectueux et aucune revendication de rupture de garantie ne pourra causer l'annulation ou la résiliation du contrat de vente d'un produit d'extérieur RYOBI® quel qu'il soit. Une preuve d'achat sera exigée par le centre de réparation, afin de valider toute réclamation au titre de la garantie. Toutes les réparations sous garantie devront être effectuées par un centre de réparations agréé.

La garantie sur tout produit d'extérieur RYOBI® utilisé pour la location, des travaux commerciaux ou tout autre usage lucratif, sera limitée à quatre-vingt-dix (90) jours, à compter de la date d'achat au détail original.

Cette garantie ne couvre pas les produits ayant fait l'objet d'un usage abusif ou négligent, d'un manque d'entretien, ayant été impliqués dans un accident ou employé de façon contraire aux instructions du manuel d'utilisation. Cette garantie ne couvre ni les dommages aux produits résultant d'un manque d'entretien, ni les produits qui ont été altérés ou modifiés. La garantie exclut les réparations rendues nécessaires par l'usure normale ou l'utilisation de pièces et accessoires incompatibles avec le produit d'extérieur RYOBI® ou nuisibles à son bon fonctionnement, ses performances ou sa durabilité. En outre, cette garanti exclut :

- A. Les réglages – Bougies, carburateur, réglages du carburateur, allumage, filtres
- B. Les articles consommables – Boutons d'avance par choc, bobines externes, lignes de coupe, bobines internes, poulies et cordons de lanceur, courroies d'entraînement,

dents, rondelles en feutre, axes d'attelage, lames de paillage, ventilateur de soufflante, tubes de soufflage et d'aspiration, sacs à débris, guides, chaînes de scie

- C. En outre, cette garanti exclut la batterie pour plus qu'une année de la date d'achat.

Techtronic Industries North America, Inc., se réserve le droit d'apporter des modifications ou améliorations à tout produit extérieur RYOBI®, sans obligation de modifier les produits fabriqués antérieurement.

LA DURÉE DE TOUTES LES GARANTIES IMPLICITES NE SAURAIT EN AUCUN CAS EXCÉDER LA PÉRIODE DE GARANTIE DÉCLARÉE. PAR CONSÉQUENT, TOUTES LES GARANTIES IMPLICITES, Y COMPRIS LES GARANTIES DE VALEUR MARCHANDE OU D'ADÉQUATION À UN USAGE PARTICULIER OU AUTRES SERONT INVALIDÉES À L'EXPIRATION DE LA PÉRIODE DE GARANTIE APPROPRIÉE DE TROIS ANS OU QUATRE-VINGT-DIX JOURS. LES OBLIGATIONS DE TECHTRONIC INDUSTRIES NORTH AMERICA, INC., DANS LE CADRE DE CETTE GARANTIE SE LIMITENT EXCLUSIVEMENT À LA RÉPARATION OU AU REMPLACEMENT DES PIÈCES DÉFECTUEUSES ET TECHTRONIC INDUSTRIES NORTH AMERICA, INC. N'ASSUME OU N'AUTORISE QUICONQUE À ASSUMER QUELQUE AUTRE OBLIGATION QUE CE SOIT. CERTAINS ÉTATS ET PROVINCES NE PERMETTANT PAS DE LIMITATION DE DURÉE DES GARANTIES IMPLICITES, LES RESTRICTIONS CI-DESSOUS PEUVENT NE PAS ÊTRE APPLICABLES. TECHTRONIC INDUSTRIES NORTH AMERICA, INC., DÉCLINE TOUTE RESPONSABILITÉ EN CE QUI CONCERNE LES DOMMAGES DIRECTS, INDIRECTS OU AUTRES, Y COMPRIS, MAIS SANS S'Y LIMITER, LES FRAIS DE RETOUR DE PRODUITS À UN CENTRE DE RÉPARATION RYOBI AGRÉÉ ET DE RENVOI AU PROPRIÉTAIRE, DE DÉPLACEMENT D'UN TECHNICIEN, DE TÉLÉPHONE OU TÉLÉGRAMME, DE LOCATION D'UN PRODUIT SIMILAIRE PENDANT LA DURÉE DES RÉPARATIONS SOUS GARANTIE, DE DÉPLACEMENT, DE PERTES OU DOMMAGES À DES BIENS PERSONNELS, DE MANQUE À GAGNER, DE PERTE D'USAGE DU PRODUIT, DE PERTE DE TEMPS OU DE DÉRANGEMENT. CERTAINS ÉTATS ET PROVINCES NE PERMETTANT L'EXCLUSION OU LA LIMITATION DES DOMMAGES DIRECTS OU INDIRECTS, LES RESTRICTIONS CI-DESSOUS PEUVENT NE PAS ÊTRE APPLICABLES.

Cette garantie donne au consommateur des droits spécifiques, et celui-ci peut bénéficier d'autres droits, qui varient selon les états ou provinces.

Cette garantie couvre tous les produits d'extérieur RYOBI® fabriqués par Techtronic Industries North America, Inc., vendus aux États-Unis et au Canada.

Pour obtenir l'adresse du centre de réparations Ryobi agréé le plus proche, appeler le 1-800-860-4050.

# INSTRUCCIONES DE SEGURIDAD IMPORTANTES



## ADVERTENCIA:

**LEA Y COMPRENDA TODAS LAS INSTRUCCIONES.** El incumplimiento de las instrucciones señaladas abajo y en la máquina puede causar descargas eléctricas, incendios y/o lesiones serias.

## LEA TODAS LAS INSTRUCCIONES




- Esta máquina de corte es capaz de amputar manos y pies, y de lanzar objetos. La inobservancia de todas las instrucciones de seguridad puede causar lesiones serias o la muerte.
- Evite ambientes peligrosos - No use la podadora de pasto en condiciones húmedas o mojadas ni la utilice en la lluvia.
- Mantenga alejados a los niños - Mantenga alejados a todos los circunstantes, niños y animales a una distancia mínima de 30,5 m (100 pies). Detenga la máquina si alguien ingresa al área.
- Pueden producirse accidentes trágicos si el operador no está alerta a la presencia de niños. Los niños suelen sentirse atraídos por la máquina y la actividad de la podadora. Nunca dé por sentado que los niños permanecerán donde los vio por última vez.
  - Mantenga a los niños alejados del área de podado y bajo la cuidadosa supervisión de un adulto responsable que no sea el operador.
  - Esté alerta y apague la podadora si un niño entra en el área.
  - Nunca permita que un niño utilice la máquina.
  - Tenga cuidado extremo al acercarse a esquinas ciegas, arbustos, árboles u otros objetos que puedan impedirle ver a un niño.
- Vístase adecuadamente - Póngase pantalones largos de tela gruesa, mangas largas, botas y guantes. No se ponga ropa holgada o pantalones cortos, sandales ni ande descalzo. No se ponga joyas de ninguna clase. Pueden quedar atrapadas en las piezas móviles.
- Ne pas travailler hors de portée - Toujours se tenir bien campé et en équilibre. Se puede perder el equilibrio al tratar de alcanzar demasiado lejos.
- No accione el equipo cuando esté descalzo o al llevar puestas sandalias o calzado liviano similar. Use calzado de seguridad que le proteja sus pies y mejore su postura en superficies resbaladizas.
- No deje desatendida la podadora de pasto mientras la tenga encendida o con la llave del fusible instalada.
- Mantenga las manos y los pies alejados del área de corte. Manténgase alejado de la abertura de descarga en todo momento.
- Utilice la podadora de pasto únicamente a la luz del día o con buena luz artificial.
- Siempre use anteojos de seguridad con protección lateral. Los anteojos comunes sólo tienen lentes resistentes a los impactos. NO son gafas de seguridad. Con el cumplimiento de esta regla se reduce el riesgo de posibles lesiones oculares. Use una careta si la operación genera mucho polvo.
- Utilice gafas de seguridad - Siempre póngase protección ocular con protección lateral con la marca de cumplimiento de la norma ANSI Z87.1. Si el proceso es polvoriento, utilice una careta.
- Utilice el aparato adecuado para la tarea - No utilice la podadora de pasto para ninguna función diferente de las especificadas.
- No fuerce la podadora de pasto - Efectúa el trabajo mejor y de manera más segura, si se utiliza a la velocidad para la que está diseñada.
- Permanezca alerta - Preste atención a lo que esté haciendo y use el sentido común al utilizar la podadora de pasto. No utilice la podadora cuando está cansado, molesto o bajo la influencia de drogas, alcohol o medicamentos. Un momento de descuido al utilizar la podadora de pasto puede causar lesiones serias.
- Mantenga la podadora de pasto con cuidado - Mantenga la máquina en buenas condiciones de trabajo. Mantenga las cuchillas afiladas, y las protecciones en su lugar y en buenas condiciones de trabajo. Reemplace las cuchillas dañadas o desgastadas de forma irregular antes de usar la podadora para obtener el mejor desempeño.
- Revise el apriete de todas las tuercas, pernos y tornillos con frecuencia para verificar la seguridad de las condiciones de funcionamiento del equipo. Las cuchillas de la podadora son filosas. Envuelva la cuchilla o utilice guantes y sea extremadamente precavido cuando las repare.
- No deseche la batería en el fuego. Las baterías pueden estallar. Verifique los códigos de la localidad para conocer posibles instrucciones especiales para desecharlas.
- Apague el motor y espere hasta que la cuchilla se detenga completamente y retire la llave de fusible y paquete de baterías antes de limpiar la podadora de pasto, retirar el receptor de hierba o extraer el tapón para trituración de pasto para fertilizar.
- Cambie la cuchilla si está doblada o fisurada. Una cuchilla mal equilibrada ocasiona vibraciones que podrían dañar la unidad impulsora del motor o causar lesiones personales. Afile la cuchilla desafilada de la misma manera en cada extremo para mantener el equilibrio. Limpie profundamente la cuchilla y verifique el equilibrio apoyándola horizontalmente sobre un clavo delgado a través del orificio central. El clavo debe encontrarse en posición horizontal. Si alguno de los extremos del a cuchilla gira hacia abajo, extraiga algo de metal de la parte pesada del extremo inferior hasta que la cuchilla quede equilibrada. La cuchilla estará equilibrada cuando ninguno de los extremos gire hacia abajo.
- Cuando no está en uso, la podadora debe guardarse en el interior, en un lugar seco y cerrado con llave, lejos del alcance de los niños. Retire la llave del fusible y guárdela en un lugar apartado fuera del alcance de los niños.
- Siempre utilice dispositivos de protección. No utilice la podadora si no tiene el receptor de hierba, la protección de descarga, el tapón para trituración de pasto y la puerta de descarga trasera en sus debidos lugares y en perfectas condiciones de funcionamiento.
- No abra ni dañe el paquete de pilas. El electrolito emitido es corrosivo y puede causar daños en los ojos y en la piel. Puede ser tóxico si se ingiere.
- Siga las instrucciones del fabricante para el correcto manejo e instalación de los accesorios. Sólo utilice accesorios aprobados por el fabricante.

# INSTRUCCIONES DE SEGURIDAD IMPORTANTES










- Tenga cuidado cuando maneje baterías a fin de no realizar un cortocircuito en la batería con materiales conductores como anillos, brazaletes y llaves. La batería o el conductor pueden recalentarse y provocar quemaduras.
- Despeje el área de trabajo cada vez antes de utilizar esta herramienta. Retire todos los objetos como piedras, palos, metal, alambre, huesos, juguetes u otros objetos que puedan ser lanzados por la cuchilla. Permanezca detrás del mango mientras el motor esté en funcionamiento.
- Evite pozos, surcos, montículos, rocas, estacas que indican los límites de la propiedad u otros objetos ocultos. El terreno desnivelado puede causar un accidente por resbalón y caída.
- No pise el pasto cerca de precipicios, zanjas o terraplenes.
- Pise atravesando el frente de las pendientes; nunca hacia arriba ni hacia abajo. Tenga mucha precaución al cambiar de dirección en una pendiente.
- Planifique su patrón de podado para evitar la descarga de material en caminos, aceras, circunstancias y demás. Además, evite descargar material contra una pared u obstrucción que pueda hacer que el material rebote hacia el operador.
- No pise la hierba cuando está mojada ni en pendientes excesivamente empinadas. Una postura mal afirmada puede causar un accidente por resbalón y caída. Camine, no corra nunca.
- Tenga cuidado extremo al acercarse a esquinas ciegas, arbustos, árboles u otros objetos que puedan impedirle ver.
- No tire de la podadora hacia atrás a menos que sea absolutamente necesario. Si debe retroceder la podadora para alejarla de una pared u obstrucción, primero mire hacia abajo y hacia atrás para evitar tropezar o tirando la podadora hacia los pies.
- Nunca dirija el material descargado hacia una persona. Evite descargar el material contra una pared u obstrucción. El material puede rebotar hacia el operador. Detenga la cuchilla cuando cruce por superficies de grava.
- Los objetos golpeados por la cuchilla de la podadora de pasto pueden causar graves heridas a las personas. Siempre debe examinarse el pasto con cuidado y despejarlo de cualquier objeto antes de cada poda.
- Si la podadora de pasto golpea un objeto extraño, siga estos pasos:
  - Detenga la podadora de césped soltando el asa, espere hasta que la cuchilla se detenga por completo y luego.
  - Inspeccione minuciosamente la podadora para ver si tiene daños.
  - Reemplace la cuchilla si presenta algún tipo de daño. Repare todo daño antes de volver a arrancar la podadora y continuar utilizándola.
- Detenga el motor, espere hasta que la cuchilla se detenga por completo y retire la llave de fusible antes de limpiar la bolsa colector. La cuchilla continúa girando durante algunos segundos después de que se apaga el motor. Nunca coloque ninguna parte del cuerpo en el área de la cuchilla hasta que esté seguro de que la cuchilla ha dejado de girar.
- Si la podadora comienza a vibrar de manera anormal, detenga el motor e inspecciónela inmediatamente para determinar la causa. Reemplace la cuchilla si presenta algún tipo de daño o si se ha desgastado de forma irregular. La vibración es generalmente una advertencia de problemas
- Sólo personal de reparación calificado debe dar servicio al producto. Todo servicio o mantenimiento efectuado por personal no calificado puede significar un riesgo de lesiones al usuario, y de daños físicos al producto.
- Al dar servicio a este producto, sólo utilice únicamente repuestos autorizado. Utilice solo cuchillas de repuesto idénticas a las originales. El empleo de piezas no autorizadas puede significar un riesgo de lesiones serias al usuario, o de daños físicos al producto.
- Mantenga las etiquetas de instrucciones de seguridad en buen estado o cámbielas, según sea necesario.
- Desconecte el paquete de baterías – Desconecte el paquete de baterías antes de guardar la herramienta, servicio, transporte, o cambie los aditamentos como una hojas. Tales medidas preventivas de seguridad reducen el riesgo de poner en marcha accidentalmente la herramienta.
- Apague la unidad y desconecte el paquete de baterías y llave del fusible cuando no esté en uso. Traslade o transporte la unidad con el motor apagado y la llave del fusible y el paquete de baterías ya retirados de la podadora
- Las herramientas de baterías no se necesitan conectar a una toma de corriente; por lo tanto, siempre están en condiciones de funcionamiento. Esté consciente de los posibles peligros cuando no esté usando la herramienta de baterías o cuando esté cambiando los accesorios de la misma. Con el cumplimiento de esta regla se reduce el riesgo de una descarga eléctrica, incendio o lesión corporal seria.
- No use aparatos accionados por baterías en la lluvia.
- Quite o desconecte la batería antes de proporcionarle servicio, realizarle una limpieza o quitar material del aparato para el cuidado del jardín.
- Cargue las baterías solamente con el cargador indicado. Para utilice con baterías de iones de litio de 40 V. Vea la “Foleto de correlacion de herramienta / aparatos / paquete de baterías/ cargador” 988000-842.
- Guarde en el interior los aparatos que no se están usando - Cuando no se está usando, se debe guardar la recortadora de hilo en el interior, en un lugar seco y cerrado con llave, inaccesible a los niños.
- Siga las instrucciones para lubricar y cambiar accesorios.
- Mantenga las protecciones en su lugar y en perfectas condiciones.
- Mantenga las cuchillas afiladas.
- Mantenga las manos y los pies alejados del área de corte.
- Solo permita que esta máquina sea operada por personas adultas responsables que estén familiarizadas con las instrucciones.
- Nunca opere la máquina en un espacio cerrado.
- Nunca altere los dispositivos de seguridad. Compruebe periódicamente que la máquina funcione correctamente.
- Guarde estas instrucciones. Consúltelas con frecuencia y empléelas para instruir a otras personas que puedan utilizar esta herramienta. Si presta a alguien esta herramienta, facilítele también las instrucciones.

# SÍMBOLOS

Las siguientes palabras de señalización y sus significados tienen el objeto de explicar los niveles de riesgo relacionados con este producto.


SÍMBOLO	SEÑAL	SIGNIFICADO
	<b>PELIGRO:</b>	Indica una situación peligrosa inminente, la cual, si no se evita, causará la muerte o lesiones serias.
	<b>ADVERTENCIA:</b>	Indica una situación peligrosa posible, la cual, si no se evita, podría causar la muerte o lesiones serias.
	<b>PRECAUCIÓN:</b>	Indica una situación potencialmente peligrosa la cual, si no se evita, puede causar lesiones leves o moderadas.
	<b>PRECAUCIÓN:</b>	(Sin el símbolo de alerta de seguridad) Indica una situación que puede producir daños materiales.

Es posible que se empleen en este producto algunos de los siguientes símbolos. Le suplicamos estudiarlos y aprender su significado. Una correcta interpretación de estos símbolos le permitirá utilizar mejor y de manera más segura el producto.

SÍMBOLO	NOMBRE	DENOMINACIÓN/EXPLICACIÓN
	Alerta de seguridad	Indica un peligro posible de lesiones personales.
	Lea manual del operador	Para reducir el riesgo de lesiones, el usuario debe leer y comprender el manual del operador antes de usar este producto.
	Protección ocular	Siempre póngase protección ocular con protección lateral con la marca de cumplimiento de la norma ANSI Z87.1.
	Alerta de condiciones húmedas	No exponga la unidad a la lluvia ni la use en lugares húmedos.
	Descarga eléctrica	Si no se usa la unidad en condiciones secas y no se observan prácticas seguras de trabajo, puede producirse una descarga eléctrica.
	Mantenga las manos y los pies alejados.	Mantenga las manos y los pies alejados de las cuchillas y del área de corte.
	No extenderse	No extienda las manos o los pies por debajo de la cubierta de la podadora.
	No utilizar sobre pendientes	No utilice la podadora sobre pendientes superiores a los 15°. Corte sobre la superficie de las pendientes y nunca de arriba a abajo.
	Mantenga alejados a los niños y circunstantes	Mantenga a los niños y otras personas alejadas a una distancia mínima de 30,5 m (100 pies).

# SÍMBOLOS

Es posible que se empleen en este producto algunos de los siguientes símbolos. Le suplicamos estudiarlos y aprender su significado. Una correcta interpretación de estos símbolos le permitirá utilizar mejor y de manera más segura el producto.

SÍMBOLO	NOMBRE	DENOMINACIÓN/EXPLICACIÓN
	Símbolo de reciclado	Este producto contiene baterías de iones de litio (Li-ion). Es posible que algunas leyes municipales, estatales o federales prohíban desechar las baterías de níquel-cadmio en la basura normal. Consulte a las autoridades reguladoras de desechos para obtener información en relación con las alternativas de reciclado y desecho disponibles.
V	Volts	Voltaje
A	Amperes	Corriente
Hz	Hertz	Frecuencia (ciclos por segundo)
W	Watts	Potencia
hrs	Horas	Tiempo



# CARACTERÍSTICAS

## ESPECIFICACIONES DEL PRODUCTO

Batería .....	40 V
Trayectoria de corte.....	406,4 mm (16 pulg.)
Ajustes de altura.....	19,05 mm à 69,85 mm (3/4 pulg. à 2-3/4 pulg.)

Tamaño de las ruedas.....	146,05 mm (5-3/4 pulg.) delanteras 177,8 mm (7 pulg.) traseras
Peso .....	18,14 kg (40 lb)

## FAMILIARÍCESE CON SU PODADORA DE PASTO

Vea la figura 1.

Para usar este producto con la debida seguridad se debe comprender la información indicada en el producto mismo y en este manual, y se debe comprender también el trabajo que intenta realizar. Antes de usar este producto, familiarícese con todas las características de funcionamiento y normas de seguridad del mismo.

## TAPA DE LAS BATERÍAS

La tapa de las baterías protege el compartimiento de las baterías de los residuos.

## MANGO DE ACARREO

La podadora cuenta con un mango de acarreo para facilitar el traslado.

## LLAVE DEL FUSIBLE

La llave del fusible debe introducirse antes de arrancar la podadora.

## RECEPTOR DE HIERBA

El receptor de hierba acumula lo que ya ha cortado y evita que se desparrame mientras continúa cortando el césped.

## PALANCA DE AJUSTE DE ALTURA

La palanca de ajuste de altura brinda ajustes de la altura de corte.

## CONJUNTO DE CONTROL DEL MOTOR/ CUCHILLA

El control de la motriz/hoja, localizado en el asidero superior del cortacéspedes, comprometiendo y suelta el motor y la hoja.

## TAPÓN PARA TRITURACIÓN

La podadora está equipada con un tapón para trituración que cubre la abertura de descarga trasera y que permite que las cuchillas de la podadora corten y recorten el césped más fino.

# ARMADO

## DESEMPAQUETADO

Este producto requiere armarse.

- Extraiga cuidadosamente de la caja la herramienta y los accesorios. Asegúrese de que estén presentes todos los artículos enumerados en la lista de empaquetado.

### ADVERTENCIA:

No utilice este producto si alguna pieza incluida en la lista de empaquetado ya está ensamblada al producto cuando lo desempaqueta. El fabricante no ensambla las piezas de esta lista en el producto. Éstas deben ser instaladas por el usuario. El uso de un producto que puede haber sido ensamblado de forma inadecuada podría causar lesiones personales graves.

- Inspeccione cuidadosamente la herramienta para asegurarse de que no haya sufrido ninguna rotura o daño durante el transporte.
- No deseche el material de empaquetado sin haber inspeccionado cuidadosamente la herramienta y haberla utilizado satisfactoriamente.
- Si hay piezas dañadas o faltantes, le suplicamos llamar al 1-800-860-4050, donde le brindaremos asistencia.

## LISTA DE EMPAQUETADO

Podadora  
Llave del fusible  
Tapón para trituración  
Receptor de hierba  
Manual del operador

### ADVERTENCIA:

Si hay piezas dañadas o faltantes, no utilice este producto sin haber reemplazado todas las piezas. Usar este producto con partes dañadas o faltantes puede causar lesiones serias al operador.

### ADVERTENCIA:

No intente modificar este producto ni hacer accesorios no recomendados para el mismo. Cualquier alteración o modificación constituye maltrato y puede causar una condición peligrosa, y como consecuencia posibles lesiones serias.

# ARMADO

## **ADVERTENCIA:**

No meta llave del fusible o paquete de baterías sin haber terminado de armarla y usted está listo para cortar. De lo contrario la unidad puede ponerse en marcha accidentalmente, con el consiguiente riesgo de lesiones serias.

## **ADVERTENCIA:**

Para prevenir empezar accidental, no hace ningún ajuste ni las instalaciones con la llave del fusible o paquete de baterías metida. El arranque accidental de la podadora durante el armado puede causar lesiones graves.

## **ADVERTENCIA:**

Nunca utilice la podadora sin que los dispositivos de seguridad adecuados estén colocados y en funcionamiento. Nunca utilice la podadora con dispositivos de seguridad dañados. El funcionamiento de la podadora con piezas dañadas o faltantes puede ocasionar lesiones graves.

## DESPLEGAR Y AJUSTAR EL CONJUNTO DE MANGOS

*Vea las figuras 2 y 3.*

### Para levantar el conjunto de los mangos:

- Abra las trabas del mango inferior.
- Tire hacia arriba y hacia atrás del mango inferior hasta que quede alineado con la ranura que se encuentra entre las trabas del mango y la carcasa de la podadora.

**NOTA:** Si le resulta difícil mover el mango inferior, gire las trabas del mango inferior en el sentido de las agujas del reloj para liberar el mango.

- Para fijar el mango inferior en su posición, cierre las trabas del mango inferior.

**NOTA:** Si el mango inferior está flojo o si no está totalmente asentado en la ranura, gire las trabas en el sentido contrario a las agujas del reloj para fijarlo.

- Abra las trabas del mango superior.
- Tire hacia arriba y hacia atrás del mango superior para elevarlo hasta la posición de operación. Asegúrese de que el mango inferior esté asentado en las ranuras de la parte inferior del mango superior.

- Para fijar el mango superior en su posición, cierre las trabas del mango superior.

**NOTA:** Si el mango superior está flojo o separado del mango inferior, apriete las perillas de las trabas del mango superior haciéndolas girar en el sentido de las agujas del reloj.

### Para bajar el conjunto de los mangos:

- Abra las trabas del mango superior.
- **NOTA:** Si le resulta difícil abrir la traba del mango, afloje las perillas de las trabas del mango superior haciéndolas girar en sentido contrario a las agujas del reloj.

- Baje el mango superior.

- Abra la traba del mango inferior.
- Ejercer presión hacia afuera sobre cada uno de los laterales del mango inferior hasta que salga de la ranura. Posteriormente, pliegue el mango hacia la parte frontal de la unidad. Evite doblar o atrapar cables.

## INSTALACIÓN DEL TAPÓN PARA TRITURACIÓN (PARA LA OPERACIÓN DE TRITURACIÓN)

*Vea la figura 4.*

**NOTA:** Cuando se usa la tapón para trituración, no instala el receptor de hierba.

- Retire la llave de fusible y paquete de baterías.
- Levante y sujete la puerta de descarga posterior.
- Sostenga la tapón para trituración del mango e insértelo inclinándolo levemente, como se muestra.
- Empuje firmemente el tapón para trituración en su lugar.
- Suelte la puerta de descarga posterior.
- Vuelva a instalar la llave del fusible y el paquete de baterías cuando esté listo para podar el pasto.

## INSTALACIÓN DEL RECEPTOR DE HIERBA (OPERACIÓN DE ENSACADO TRASERO)

*Vea la figura 5 y 6.*

**NOTA:** Cuando se usa el receptor de hierba, no instala el tapón para trituración.

- Retire la llave de fusible y paquete de baterías.
- Levante la puerta de descarga posterior.
- Levante el receptor de hierba por su mango y colóquelo debajo de la puerta de descarga posterior de modo que los ganchos del receptor de hierba queden asentados en la caja del podadora.
- Suelte la puerta de descarga posterior.
- Vuelva a instalar la llave del fusible y el paquete de baterías cuando esté listo para podar el pasto.

## AJUSTE DE LA ALTURA DE LA CUCHILLA

*Vea la figura 7.*

Para enviarlas, las ruedas de la podadora se ajustan en una posición de corte bajo. Antes de usar la podadora por primera vez, ajuste la posición de corte a la altura más adecuada para su pasto. El pasto promedio debe tener una longitud de entre 38,10 mm (1-1/2 pulg.) y 50,80 mm (2 pulg.) durante los meses fríos, y entre 50,80 mm (2 pulg.) y 82,55 mm (3-1/4 pulg.) durante los meses calurosos.

### Para ajustar la altura de la cuchilla:

- Retire la llave de fusible y paquete de baterías.
- Para levantar la altura de la cuchilla, tome la palanca de ajuste de altura y muévala hacia la parte posterior de la podadora.
- Para bajar la altura de la cuchilla, tome la palanca de ajuste de altura y muévala hacia la parte delantera de la podadora.
- Vuelva a instalar la llave del fusible y el paquete de baterías cuando esté listo para podar el pasto.

# FUNCIONAMIENTO

## **ADVERTENCIA:**

No permita que su familiarización con este tipo de producto lo vuelva descuidado. Tenga presente que un descuido de un instante es suficiente para causar una lesión grave.

## **ADVERTENCIA:**

Siempre utilice protección ocular con protección lateral con la marca de cumplimiento de la norma ANSI Z87.1, como así también protección auditiva cuando utilice este equipo. Si no cumple esta advertencia, los objetos que salen despedidos pueden producirle lesiones serias en los ojos.

## **ADVERTENCIA:**

No utilice ningún aditamento o accesorio no recomendado por el fabricante de este producto. El empleo de aditamentos o accesorios no recomendados puede causar lesiones serias.

## **ADVERTENCIA:**

Antes de cada uso, inspeccione todo el producto para detectar algún daño, partes faltantes o sueltas la cuchilla no esté dañada o desgastada. El funcionamiento de la podadora con piezas dañadas o faltantes puede ocasionar lesiones graves.

Este producto acepta los paquetes de baterías de iones de litio de 40 V.

Para ver las instrucciones de carga completas, consulte los manuales del operador del paquete de baterías Ryobi y los modelos de cargador.

## **CARACTERÍSTICAS DE PROTECCIÓN DE LAS BATERÍAS**

Las baterías de iones de litio Ryobi están diseñadas con características que protegen las celdas de iones de litio y maximizan la duración de las baterías.

Si la herramienta se detiene durante el uso, suelte el gatillo para reiniciarla y reanude el funcionamiento. Si aun así no funciona, se debe recargar la batería.

## **ADVERTENCIA:**

Retire siempre el paquete de baterías y llave del fusible de la herramienta antes de instalar las piezas, realizar ajustes, limpiarla o cuando no la utilice. Retirar el paquete de baterías y llave del fusible evitará que la unidad se accione accidentalmente y provoque lesiones graves.

## **INSTALACIÓN DEL PAQUETE DE BATERÍAS**

*Vea la figura 8.*

- Abra la tapa de las baterías.
- Coloque la batería en la podadora. Alinee la costilla realizada exterior del paquete de pilas con la ranura interior del receptáculo para pilas de podadora.

## **ADVERTENCIA:**

Asegúrese de que el pestillo en la parte inferior del paquete de baterías entre adecuadamente en su lugar y que el paquete de baterías esté bien colocado y asegurado en el puerto de batería de la podadora antes de que encenderla. Una falla en colocar el paquete de baterías de forma segura puede causar que el paquete de baterías se desprenda y termine provocando lesiones corporales serias.

- Cierre la tapa de las baterías.

## **EXTRACCIÓN DEL PAQUETE DE BATERÍAS**

*Vea la figura 8.*

- Abra la tapa de las baterías.
- Presione y mantenga presionado el botón de la traba de las baterías de la parte inferior del paquete de baterías.
- Retire de la podadora el paquete de baterías.

## **ADVERTENCIA:**

A fin de evitar lesiones personales de gravedad, siempre extraiga el paquete de baterías y la llave del fusible cuando cargue o transporte la herramienta.

## **USOS**

Esta herramienta puede emplearse para el fin señalado abajo:

- Podar el pasto

## **ENCENDIDO Y APAGADO DE LA PODADORA**

*Vea las figuras 9 y 10.*

- Abra la tapa de las baterías.
- Instalar el paquete de baterías.
- Coloque la llave del fusible en la ranura al lado de la receptáculo para baterías.
- Cierre la tapa de las baterías.
- Oprima y no suelte el botón de arranque. Tire del asa hacia el mango y suelte el botón para arrancar la podadora.
- Para detener la podadora, suelte el asa.

## **SUGERENCIAS PARA EL PODADO**

- Asegúrese de que el pasto no tenga piedras, palos, alambres ni otros objetos que puedan dañar las cuchillas o el motor de la podadora de pasto. No corte sobre

# FUNCIONAMIENTO

estacas que indican los límites de la propiedad o sobre otros postes metálicos. Dichos objetos podrían ser dañados por la lame o lanzados accidentalmente por la podadora en cualquier dirección y provocar lesiones serias al operador y a otras personas.

- Para tener un pasto saludable, siempre corte un tercio o menos de la longitud total de la hierba.
- Al cortar hierba frondosa, reduzca la velocidad mientras camina para poder obtener un corte más eficaz y una descarga adecuada de los recortes.
- No corte la hierba cuando esté mojada. Se pegará a la parte inferior del piso e impedirá evita el embolsado o la trituración adecuada del césped cortado.
- La hierba nueva o gruesa puede requerir un corte más bajo o una mayor altura de corte.
- Limpie la parte inferior del piso de la podadora después de cada uso para eliminar recortes de hierba, hojas, suciedad y otros desechos acumulados.

**NOTA:** Siempre detenga la podadora, espere a que las cuchillas se detengan por completo y retire la llave de fusible antes de limpiar debajo de la podadora.

## MANEJO EN PENDIENTES

Vea la figura 11.

### ADVERTENCIA:

Las pendientes son una de las causas principales de accidentes por resbalones y caídas que pueden provocar lesiones graves. El manejo en pendientes requiere precaución extra. Si se siente inseguro en una pendiente, no la pade. Para su seguridad, no intente podar pendientes de más de 15 grados.

- Pade atravesando las pendientes; no hacia arriba ni hacia abajo. Tenga mucha precaución al cambiar de dirección en una pendiente.
- Tenga cuidado con los pozos, surcos, piedras, objetos ocultos o montículos que puedan provocar que se resbale o tropiece. La hierba alta puede ocultar obstáculos. Retire todos los objetos como piedras, ramas de árboles, etc., que puedan provocar tropezones o ser lanzados por la cuchilla.
- Siempre asegúrese de su postura. Un resbalón y caída puede provocar lesiones serias. Si siente que está perdiendo el equilibrio, suelte el asa superior inmediatamente.
- No pade el pasto cerca de precipicios, zanjas o terraplenes; podría perder la firmeza de la postura o el equilibrio.

## VACIADO DEL RECEPTOR DE HIERBA

Vea la figura 12.

- Detenga la podadora, y espere a que las cuchillas se detengan por completo.
- Retire la llave de fusible y paquete de baterías.
- Abra la tapa de las baterías y retire la llave de fusible.
- Levante la puerta de descarga posterior.
- Levante el receptor de césped del mango para retirarlo de la podadora.
- Vacíe los recortes de hierba.
- Levante la puerta trasera y reinstale el receptor de césped como se indicó anteriormente en este manual.
- Vuelva a instalar la llave del fusible y el paquete de baterías cuando esté listo para podar el pasto.

# MANTENIMIENTO

### ADVERTENCIA:

Al dar servicio a la unidad, asegúrese de que la batería y la llave del fusible se hayan retirado para evitar el arranque accidental y posibles lesiones graves.

### ADVERTENCIA:

Al dar servicio a la unidad, sólo utilice piezas de repuesto autorizadas. El empleo de piezas diferentes puede causar un peligro o dañar el producto.

### ADVERTENCIA:

Siempre póngase protección ocular con protección lateral con la marca de cumplimiento de la norma ANSI Z87.1. Si no cumple esta advertencia, los objetos que salen despedidos pueden producirle lesiones serias en los ojos.

## MANTENIMIENTO GENERAL

Evite el empleo de solventes al limpiar piezas de plástico. La mayoría de los plásticos son susceptibles a diferentes tipos de solventes comerciales y pueden resultar dañados. Utilice paños limpios para eliminar la suciedad, el polvo, el aceite, la grasa, etc.

# MANTENIMIENTO

## **ADVERTENCIA:**

No permita en ningún momento que fluidos para frenos, gasolina, productos a base de petróleo, aceites penetrantes, etc., lleguen a tocar las piezas de plástico. Las sustancias químicas pueden dañar, debilitar o destruir el plástico, lo cual a su vez puede producir lesiones corporales serias.

Revise periódicamente el apriete de todos los pernos y tuercas para asegurar un manejo seguro de la podadora.

Elimine la hierba y las hojas acumuladas sobre la cubierta del motor o a su alrededor. Limpie ocasionalmente la podadora con un paño seco. No utilice agua.

## **LUBRICACIÓN**

Todos los cojinetes de este producto están lubricados con suficiente cantidad de aceite de alta calidad para toda la vida útil de la unidad en condiciones normales de funcionamiento. Por lo tanto, no se necesita lubricación adicional de los cojinetes.

## **ADVERTENCIA:**

Siempre protéjase las manos usando guantes gruesos y/o envolviendo los bordes de corte de la cuchilla con paños y otro material al realizar el mantenimiento de la cuchilla. Contacto con la hoja podría causar lesiones serias.

## **REEMPLAZO DE LA CUCHILLA**

*Vea las figuras 13 y 14.*

**NOTA:** Utilice únicamente piezas de repuesto autorizadas.

- Apague el motor y retire la llave del fusible. Permita que la cuchilla se detenga por completo.
- Retire el paquete de baterías.
- Gire la podadora sobre su costado.
- Introduzca a presión un bloque de madera entre la cuchilla y el piso de la podadora para evitar que la cuchilla gire.
- Afloje la tuerca de la cuchilla al girarlo a la izquierda (como se observa en la base de la podadora) usando una llave de tuercas o de boca tubular de 15 mm (no se suministra).
- Retire la tuerca de la cuchilla, el separador, el aislante de cuchilla y la cuchilla.
- Asegúrese de que el conjunto del ventilador esté totalmente empujado contra el eje del motor.

- Coloque la cuchilla nueva en el eje contra el conjunto del ventilador. Asegúrese de que la cuchilla esté correctamente asentada con el eje pasando por el orificio central de la cuchilla y los dos postes insertados en los respectivos orificios sobre la cuchilla. Asegúrese de que esté instalada con los extremos curvos orientados hacia arriba, donde está el piso de la podadora, y no hacia abajo, donde está el suelo. Si está asentada correctamente, la cuchilla permanecerá plana contra el conjunto del ventilador.

- Vuelva a colocar el aislante de cuchilla y el separador; luego, enrosque la tuerca de la cuchilla en el eje y apriétela con los dedos.

**NOTA:** Asegúrese de volver a colocar todas las piezas en el orden exacto en que fueron retiradas.

- Apriete la tuerca de la cuchilla derecha usando una llave dinamométrica (no suministrada) para asegurar que el perno esté apretado correctamente. La fuerza de torsión recomendada para la tuerca de la cuchilla es de 350-400 lb-pulg.

## **GUARDADO DE LA PODADORA**

*Vea la figura 15.*

- Retire la llave del fusible y almacena en una ubicación segura fuera del alcance de niños.
- Antes de guardar, limpie el polvo o los residuos del área de la batería.
- Gire la podadora sobre su costado y limpie los recortes de hierba que se acumularon en la parte inferior del piso de la podadora.
- Limpie la podadora con un paño seco.
- Verifique el apriete de todos los pernos, tuercas, perillas, tornillos, sujetadores, etcétera.
- Inspeccione las piezas móviles para ver si hay daños, rupturas y desgaste. Haga que reparen todas las piezas dañadas o faltantes. Verifique que la cuchilla no esté dañada o desgastada excesivamente en forma irregular y reemplácela si existen estas condiciones.
- Abaisser la ensemble de poignée como se indicó anteriormente en este manual.
- Guarde la podadora en el interior, en un lugar limpio y seco, lejos del alcance de los niños.
- No la guarde cerca de materiales corrosivos como fertilizantes o sal gema.

# CORRECCIÓN DE PROBLEMAS

SI CON ESTAS SOLUCIONES NO SE RESUELVE EL PROBLEMA, COMUNÍQUESE CON EL CONCESIONARIO DE SERVICIO AUTORIZADO DE SU PREFERENCIA.

PROBLEM	POSSIBLE CAUSE	SOLUTION
El mango no está en posición.	Las trabas de los mangos no están cerradas.	Cierre las trabas del mango superior y del mango inferior.
La podadora no enciende.	La batería es baja en la carga.	Cargue la batería.
Mower cutting grass unevenly	Lawn is rough or cutting height not set properly.	Ajuster la altura de corte.
La podadora no tritura el pasto correctamente.	Hay recortes de hierba mojada pegados en la parte inferior del piso.	Espere hasta que la hierba se seque antes de podar.
Es difícil empujar la podadora.	La hierba está alta, la parte posterior del alojamiento de la podadora y la cuchilla se arrastran por hierba frondosa, o la altura de corte es demasiado baja.	Levante la altura de corte.
La podadora no recolecta correctamente.	La altura de corte es muy baja	Levante la altura de corte.
La podadora vibra a mayor velocidad.	La cuchilla está desequilibrada, gastada excesivamente o en forma irregular. El eje del motor está doblado.	Reemplace la cuchilla  Apague el motor, desconecte la llave del fusible y paquete de baterías. Inspeccione la unidad para ver si están dañadas. Lleve la unidad a un centro de servicio autorizado para que la reparen antes de volver a encenderla.
Motor se detiene mientras corta el césped	La altura de corte es muy baja	Levante la altura de corte.



## APROVECHE AL MÁXIMO SU COMPRA!

Dirijase a <http://register.ryobitools.com> y registre en línea su nueva herramienta.

Este producto ha sido probado enteramente antes de embarcarse para asegurar la completa satisfacción del consumidor.

¡Si tiene preguntas sobre el funcionamiento o el mantenimiento del producto, llame al teléfono de atención al consumidor de Ryobi®!

# GARANTÍA

## DECLARACIÓN DE LA GARANTÍA LIMITADA

Techtronic Industries North America, Inc. garantiza al comprador original al menudeo que este producto de la marca RYOBI® carece de defectos en los materiales y en la mano de obra, y acuerda reparar o reemplazar, a la sola discreción de Techtronic Industries North America, Inc., cualquier producto defectuoso, sin cargo alguno al comprador, dentro de los siguientes períodos de tiempo a partir de la fecha de compra.

- Tres años si los productos se emplean para uso personal, familiar o casero;
- 90 días si el producto se emplea para cualquier otro propósito, como el uso comercial o el de alquiler.

Esta garantía se otorga solamente al comprador original al menudeo, y comienza en la fecha de la compra original al menudeo.

Cualquier parte de este producto Techtronic Industries North America, Inc. que, a juicio razonable de la compañía, tenga defectos en los materiales o en la mano de obra, será reparado o reemplazado por un centro de servicio autorizado de herramientas para uso en el exterior de la marca RYOBI®, sin cargo alguno al comprador por concepto de piezas y mano de obra (Centro de Servicio Autorizado Ryobi).

El producto, incluida toda pieza defectuosa, debe enviarse a un centro de servicio autorizado Ryobi dentro del período de la garantía. El gasto de enviar el producto al centro de servicio para cualquier trabajo cubierto por la garantía, así como el gasto de devolverlo al propietario después de la reparación, correrán por cuenta del propietario. La responsabilidad de Techtronic Industries North America, Inc. con respecto a todo reclamo se limita a las reparaciones o reemplazo del producto, y ningún reclamo de incumplimiento de la garantía será causante de la cancelación o rescisión del contrato de venta de ninguna herramienta de uso en el exterior de la marca RYOBI®. En el establecimiento se requerirá el recibo de compra para respaldar cualquier reclamo al amparo de la garantía. Todo trabajo cubierto en la garantía debe ser realizado por un concesionario de servicio autorizado.

Esta garantía se limita a noventa (90) días a partir de la fecha original de la compra de cualquier herramienta de uso en el exterior de la marca RYOBI® empleada para propósitos comerciales o de alquiler, o cualquier otro propósito generador de ingresos.

Esta garantía no cubre ningún producto que haya sido sujeto a un uso indebido, maltrato, negligencia o accidente, o que haya sido utilizado de cualquier forma contraria a las instrucciones de manejo especificadas en el manual del operador del producto. Esta garantía no aplica a ningún daño en el producto que resulte de un mantenimiento indebido ni a ningún producto que haya sido alterado o modificado. La garantía no cubre ninguna reparación necesaria por el uso normal ni por el uso de piezas o accesorios que sean incompatibles con la herramienta para uso exterior de la marca RYOBI®, o afecten de forma desfavorable su funcionamiento, desempeño o durabilidad.

Además, esta garantía no cubre:

A. Afinación – Bujías, carburador, ajustes del carburador, encendido, filtros

B. Artículos sujetos a desgaste – Perillas de tope, carretes exteriores, hilos de corte, carretes interiores, poleas del arrancador, cuerdas del arrancador, correas de transmisión, aspas, arandelas de fieltro y pasadores de enganche, hojas de triturar, ventiladores de sopladoras, tubos de sopladoras y de aspiradoras, sacos y correas de aspiradoras, barras guía y cadenas de sierras

C. Esta garantía no cubre la pila para más de un año de la fecha de la compra.

Techtronic Industries North America, Inc. se reserva el derecho a cambiar o mejorar el diseño de cualquier herramienta para uso en el exterior de la marca RYOBI® sin asumir ninguna obligación de modificar ningún producto fabricado previamente.

TODAS LAS GARANTÍAS IMPLÍCITAS ESTÁN LIMITADAS EN DURACIÓN SEGÚN EL PERÍODO DE GARANTÍA DECLARADA. POR CONSIGUIENTE, CUALQUIER GARANTÍA IMPLÍCITA, INCLUSO LAS DE COMERCIABILIDAD, IDONEIDAD PARA UN PROPÓSITO EN PARTICULAR, O DE CUALQUIER TIPO, PIERDEN TOTALMENTE SU VALIDEZ DESPUÉS DEL VENCIMIENTO DEL PERÍODO DE GARANTÍA CORRESPONDIENTE DE TRES AÑOS O NOVENTA DÍAS. DE CONFORMIDAD CON ESTA GARANTÍA, LA OBLIGACIÓN DE TECHTRONIC INDUSTRIES NORTH AMERICA, INC. SE LIMITA ESTRUCTURAL Y EXCLUSIVAMENTE A LA REPARACIÓN O REPLAZO DE LAS PIEZAS DEFECTUOSAS, Y TECHTRONIC INDUSTRIES NORTH AMERICA, INC. NO ASUME NINGUNA OTRA OBLIGACIÓN, NI AUTORIZA A NADIE ASUMIRLA A NOMBRE DE DICHA COMPAÑÍA. ALGUNOS ESTADOS NO PERMITEN LIMITACIONES EN CUANTO A LA DURACIÓN DE UNA GARANTÍA IMPLÍCITA, POR LO CUAL ES POSIBLE QUE LA LIMITACIÓN ANTERIOR NO SE APLIQUE EN EL CASO DE USTED. TECHTRONIC INDUSTRIES NORTH AMERICA, INC. NO ASUME NINGUNA RESPONSABILIDAD POR DAÑOS DIRECTOS, INDIRECTOS O DE NINGÚN OTRO TIPO, COMO EL GASTO DE ENVIAR EL PRODUCTO A UN CENTRO DE SERVICIO AUTORIZADO RYOBI Y EL GASTO DE ENVIARLO DE ALLÍ AL PROPIETARIO, EL TIEMPO DE VIAJE DEL MECÁNICO, CARGOS TELEFÓNICOS O TELEGRÁFICOS, ALQUILER DE UN PRODUCTO SUSTITUTO DURANTE EL TIEMPO DE REALIZACIÓN DEL SERVICIO DE LA GARANTÍA, VIAJES, PÉRDIDA O DAÑOS A OBJETOS DE PROPIEDAD PERSONAL, PÉRDIDA DE INGRESOS, PÉRDIDA DEL USO DEL PRODUCTO, PÉRDIDA DE TIEMPO O INCONVENIENTES. EN ALGUNOS ESTADOS NO SE PERMITE LA EXCLUSIÓN O LIMITACIÓN DE DAÑOS DIRECTOS O INDIRECTOS, POR LO CUAL ES POSIBLE QUE LA LIMITACIÓN O EXCLUSIÓN DESCRITA ARRIBA NO SE APLIQUE EN SU CASO.

Esta garantía le confiere derechos legales específicos, y es posible que usted goce de otros derechos, los cuales pueden variar de estado a estado.

Esta garantía se aplica a todas las herramientas para uso en el exterior de la marca RYOBI® fabricadas por Techtronic Industries North America, Inc. y vendidos en Estados Unidos y Canadá.

Para encontrar el centro de servicio autorizado Ryobi más cercano a usted, llame al 1-800-860-4050.



# OPERATOR'S MANUAL MANUEL D'UTILISATION / MANUAL DEL OPERADOR 40 VOLT LAWN MOWER

40V TONDEUSE  
40V PODADORA

**RY40100**



## WARNING:

This product and substances that may become airborne from its use may contain chemicals, including lead, known to the State of California to cause cancer, birth defects, or other reproductive harm.

**Wash hands after handling.**



## AVERTISSEMENT :

Ce produit ainsi que les substances rejetées dans l'air à la suite de son utilisation peuvent contenir des produits chimiques, notamment du plomb qui, selon l'État de la Californie, peuvent causer le cancer, des anomalies congénitales et d'autres dommages au système reproducteur. **Bien se laver les mains après toute manipulation.**



## ADVERTENCIA:

Este producto y sustancias que puedan llegar a ser aerotransportadas por su uso pueden contener sustancias químicas (por ejemplo, plomo) consideradas por el estado de California como causantes de cáncer, defectos de nacimiento u otras alteraciones reproductivas. **Lávese las manos después de utilizar el aparato.**

RYOBI is a registered trademark of Ryobi Limited and is used pursuant to a license granted by Ryobi Limited.

RYOBI est une marque déposée de RYOBI Limited et est utilisée en vertu d'une licence accordée par Ryobi Limited.

RYOBI es una marca registrada de Ryobi Limited y se utiliza conforme a una licencia otorgada por Ryobi Limited.

### • PARTS AND SERVICE

Prior to requesting service or purchasing replacement parts, please obtain your model and serial number from the product data plate.

• **MODEL NO.** RY40100 **SERIAL NO.** \_\_\_\_\_

### • HOW TO OBTAIN REPLACEMENT PARTS:

Replacement parts can be purchased online at [www.ryobitools.com](http://www.ryobitools.com) or by calling 1-800-860-4050. Replacement parts can also be obtained at one of our Authorized Service Centers.

### • HOW TO LOCATE AN AUTHORIZED SERVICE CENTER:

Authorized Service Centers can be located online at [www.ryobitools.com](http://www.ryobitools.com) or by calling 1-800-860-4050.

### • HOW TO OBTAIN CUSTOMER OR TECHNICAL SUPPORT:

To obtain Customer or Technical Support please contact us at 1-800-860-4050.

• • • • •

### • PIÈCES ET SERVICE

Avant de faire la demande de service ou l'achat de pièces de remplacement, veuillez obtenir le numéro de série du modèle à partir de la plaque de données du produit.

• **NUMÉRO DE MODÈLE** RY40100 **NUMÉRO DE SÉRIE** \_\_\_\_\_

### • COMMENT OBTENIR LES PIÈCES DE REMPLACEMENT :

Les pièces de remplacement peuvent être achetées en ligne sur le site [www.ryobitools.com](http://www.ryobitools.com) ou par téléphone au 1-800-860-4050. Les pièces de remplacement peuvent être obtenues à un de nos centres de service autorisés.

### • COMMENT TROUVER UN CENTRE DE SERVICE AUTORISÉ :

Les centres de service autorisés peuvent être localisés en ligne au [www.ryobitools.com](http://www.ryobitools.com) ou en téléphonant au 1-800-860-4050.

### • COMMENT OBTENIR DE L'AIDE EN CONTACTANT LE SERVICE À LA CLIENTÈLE :

Pour contacter le service à la clientèle pour une question technique ou pour tout autre renseignement, veuillez nous téléphoner au 1-800-860-4050.

• • • • •

### • PIEZAS DE REPUESTO Y SERVICIO

Antes de solicitar servicio técnico o comprar piezas de repuesto, obtenga su modelo y número de serie de la placa de datos del producto.

• **NÚMERO DE MODELO** RY40100 **NÚMERO DE SERIE** \_\_\_\_\_

### • CÓMO OBTENER PIEZAS DE REPUESTO:

Las piezas de repuesto se pueden comprar en nuestro sitio en la red mundial, en la dirección [www.ryobitools.com](http://www.ryobitools.com) o llamando al 1-800-860-4050. Las piezas de repuesto también se pueden obtener en uno de nuestros Centros de Servicio Autorizados.

### • CÓMO LOCALIZAR UN CENTRO DE SERVICIO AUTORIZADO:

Puede encontrar los Centros de Servicio Autorizados visitando nuestro sitio en la red mundial, en la dirección [www.ryobitools.com](http://www.ryobitools.com) or by calling 1-800-860-4050.

### • CÓMO OBTENER SERVICIO O ASISTENCIA TÉCNICA AL CONSUMIDOR:

Para obtener Servicio o Asistencia Técnica al Consumidor, sírvase comunicarse con nosotros llamando al 1-800-860-4050.

## TECHTRONIC INDUSTRIES NORTH AMERICA, INC.

1428 Pearman Dairy Road, Anderson, SC 29625 USA

1-800-860-4050 • [www.ryobitools.com](http://www.ryobitools.com)