



FRIGIDAIRE

Factory Parts Catalog

Product No.	FGMO205KBB	FGMO205KFB	FGMO205KWB	FPMO209KFB
Market	North America	North America	North America	North America
Color	black	stainless/black	white	stainless steel
Volts	120	120	120	120
Watts	1100	1100	1100	1100
Wiring Diagram	316495071	316495071	316495071	316495071
Owner's Guide	316495059	316495059	316495059	316495059
Installation Instructions	316495084	316495084	316495084	316495084

Frigidaire

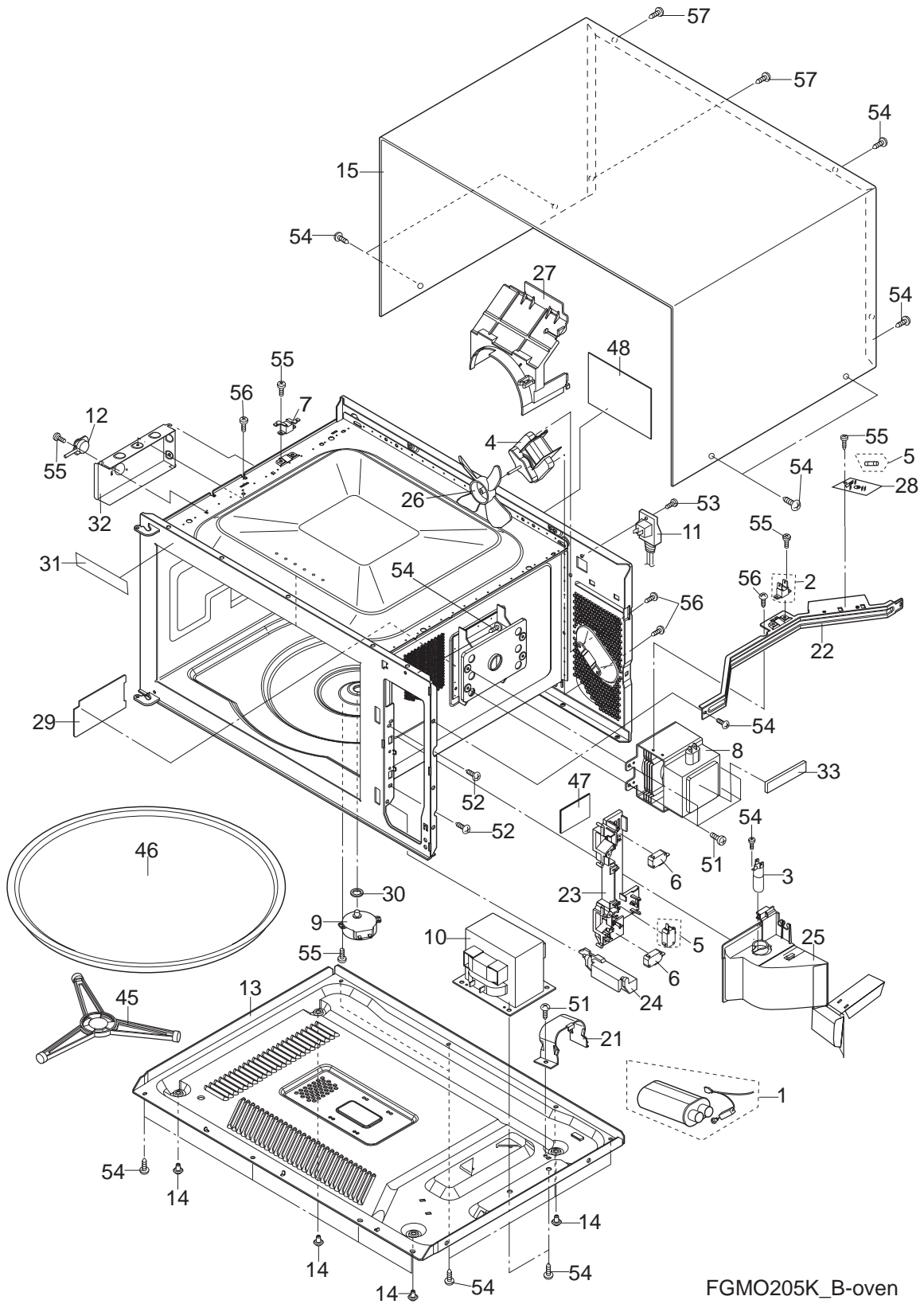
P.O. BOX 212378
AUGUSTA, GA 30917

Publication No.
5995567947
10/06/08
(EN/SERVICE/KC)
099

BUILT-IN MICROWAVE

Model No.
FGMO205K / FPMO209K

OVEN, CABINET



FGMO205K_B-oven

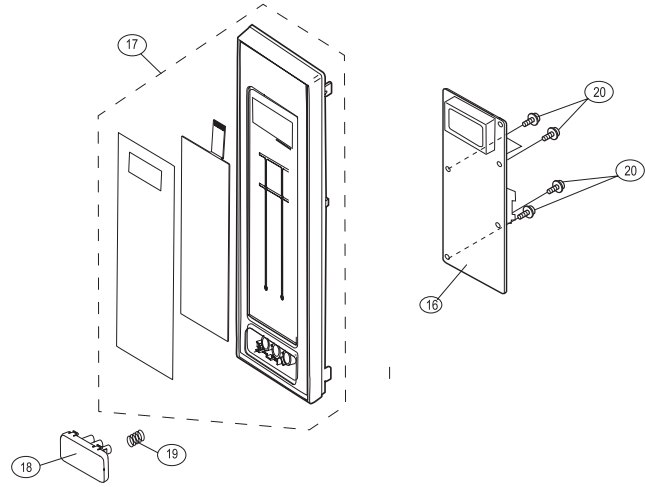
OVEN,CABINET

Model Index: A FGMO205K (FGMO205KBB)
 B FGMO205K (FGMO205KFB)
 C FGMO205K (FGMO205KWB)
 D FPMO209K (FPMO209KFB)

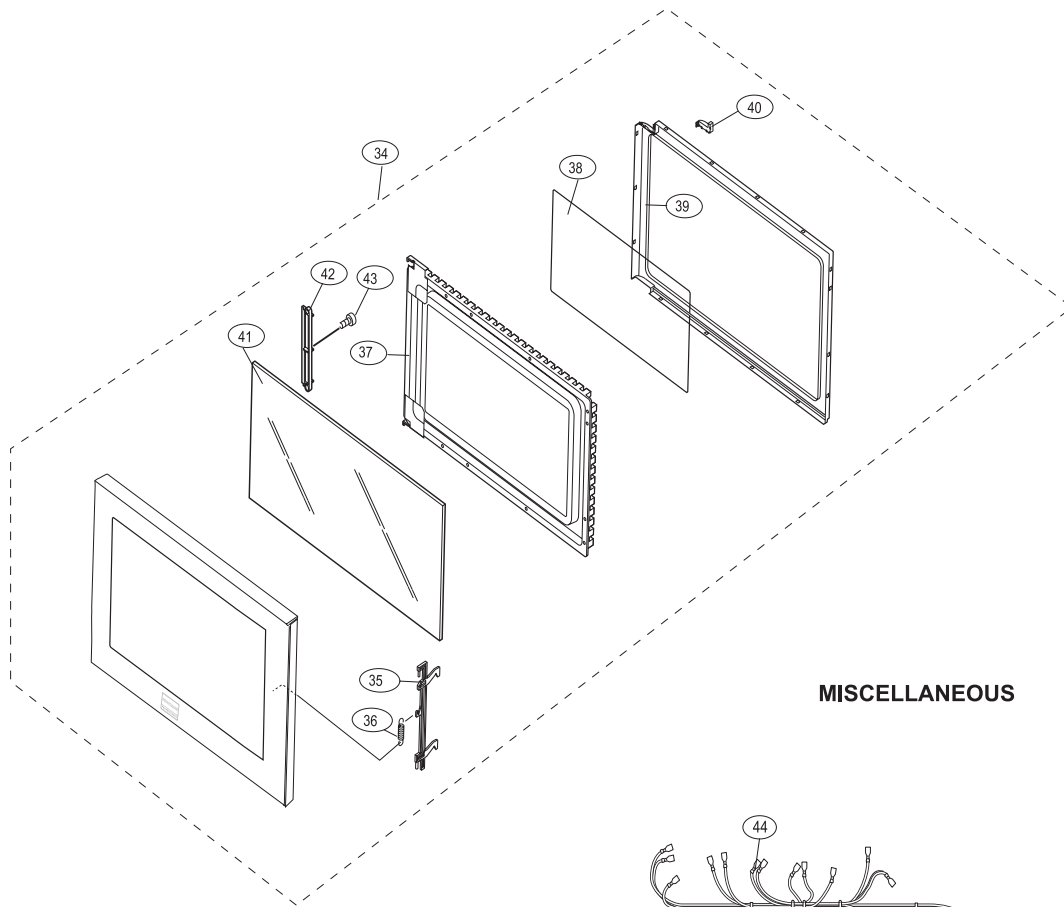
POS. NO	PART NO.		DESCRIPTION
1 #	5304479019	A B C D	Capacitor/Rectifier Kit, HV
2 #	5303319550	A B C D	Fuse, magnetron
3 #	5304478955	A B C D	Lamp Assembly, with socket
4 #	5304448490	A B C D	Motor, cooling fan
5 #	5304479020	A B C D	Switch, monitor, w/ceramic fuse
6 #	5304440026	A B C D	Switch, interlock, door sensor
7 #	5304440780	A B C D	Fuse, cavity temp, 20 Amp, 250 V
8 #	5304440781	A B C D	Magnetron
9 #	5304440782	A B C D	Motor, turntable
10 #	5304479021	A B C D	Transformer, power
11 #	5304440784	A B C D	Power Cord, electric
12 #	5304440785	A B C D	Sensor, humidity, cook control
13	5304478938	A B C D	Base, unit chassis
14	5304478939	A B C D	Foot, cabinet support
15	5304478940	A B - D	Cabinet, outer casing, black
15	5304479022	- - C -	Cabinet, outer casing, white
21	5304478941	A B C D	Retainer, capacitor strap
22	5304478942	A B C D	Bracket, chassis support
23	5304478943	A B C D	Latch Hook
24	5304478944	A B C D	Lever, door release
25	5304478956	A B C D	Duct, magnetron
26 #	5304467720	A B C D	Fan Blade, mag cooling fan
27	5304478945	A B C D	Duct, cooling fan
28 #	5304467698	A B C D	Filter, noise, electronic
29	5304478947	A B C D	Cover, waveguide
30	5304467718	A B C D	Bushing, motor shaft, turntable
31	5304472847	A B C D	Label, menu
32	5304478948	A B C D	Duct, humidity sensor
33	5304478949	A B C D	Cushion, magnetron pad
45	5304478951	A B C D	Support Assy, turntable, roller
46	5304440868	A B C D	Tray, turntable, glass
47	5304467771	A B C D	Label, Caution-monitor
48	5304467770	A B C D	Label, Caution-DHHS
51	5304467780	A B C D	Screw, 4 mm x 8 mm, Tap Tight
52	5303319641	A B C D	Screw
53	5304462315	A B C D	Screw, 4 mm x 12 mm, ground
54	5304451552	A B C D	Screw, 4 mm x 8 mm, silver
54	5304467777	A B - D	Screw, 4 mm x 8 mm, black
55	5304451550	A B C D	Screw, 4 mm x 8 mm
56	5304450253	A B C D	Screw, 4 mm x 8 mm
57	5304440873	A B C D	Screw, Torx, tamper proof

CONTROL PANEL, DOOR, MISC.

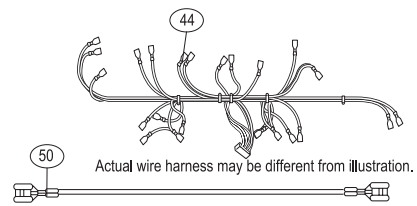
CONTROL PANEL PARTS



DOOR PARTS



MISCELLANEOUS



FGMO205K_A Control

CONTROL PANEL,DOOR,MISC.

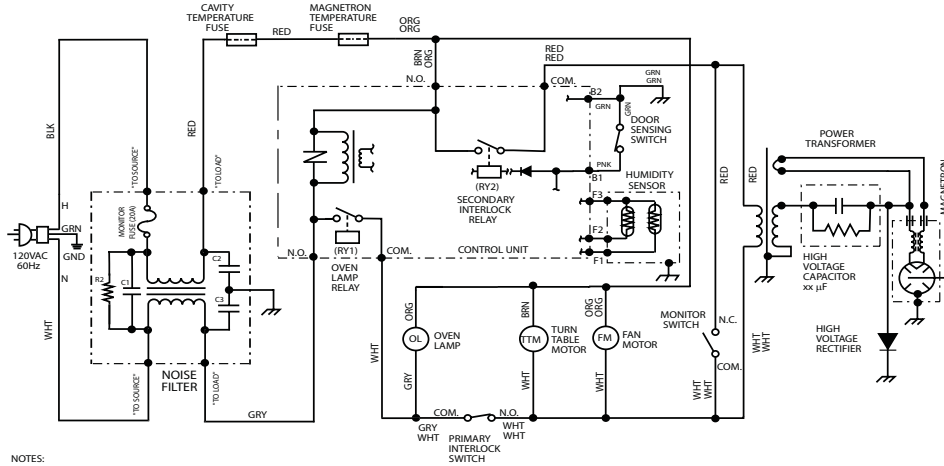
Model Index: A FGMO205K (FGMO205KBB)
 B FGMO205K (FGMO205KFB)
 C FGMO205K (FGMO205KWB)
 D FPMO209K (FPMO209KFB)

POS. NO	PART NO.		DESCRIPTION
16 #	5304472840	A B C D	Control Board, printed circuit
17 #	5304479025	A - - -	Control Panel Assy, black
17 #	5304479024	- B - -	Control Panel Assy, stainless/black
17 #	5304479026	- - C -	Control Panel Assy, white
17 #	5304479023	- - - D	Control Panel Assy, stainless
18	5304440827	A - - -	Push Button, door, black
18	5304462915	- B - -	Push Button, door, stainless
18	5304442133	- - C -	Push Button, door, white
18	5304472845	- - - D	Push Button, door, stainless
19	5304440831	A B C D	Spring, door button
20	5304456930	A B C D	Screw, 3 mm x 10 mm
34	5304472850	A - - -	Door Assy, complete, black
34	5304472849	- B - -	Door Assy, complete, stainless/black
34	5304472851	- - C -	Door Assy, complete, white
34	5304472848	- - - D	Door Assy, complete, stainless
35	5304441893	A B C D	Latch, door
36	5304440316	A B C D	Spring, door latch
37	5304440857	A B - -	Panel, inner door, black
37	5304442144	- - C -	Panel, inner door, white
37	5304472852	- - - D	Panel, inner door, light gray
38	5304440860	A B C D	Seal, door, film
39	5304440861	A B C D	Choke Cover, inner door
40	5304442145	A B C D	Door Stop
41	5304472854	A B - -	Panel, door glass, black
41	5304472855	- - C -	Panel, door glass, white
41	5304472853	- - - D	Panel, door glass, silver
42	5304440862	A B C D	Stop, door glass
43	5304452259	A B C D	Screw
44 #	5304479027	A B C D	Wiring Harness, main
50 #	5304440870	A B C D	Wire, high voltage-A

WIRING DIAGRAM

SCHMATIC
 NOTE: CONDITION OF OVEN
 1. Door Closed
 2. CLOCK APPEARS ON DISPLAY

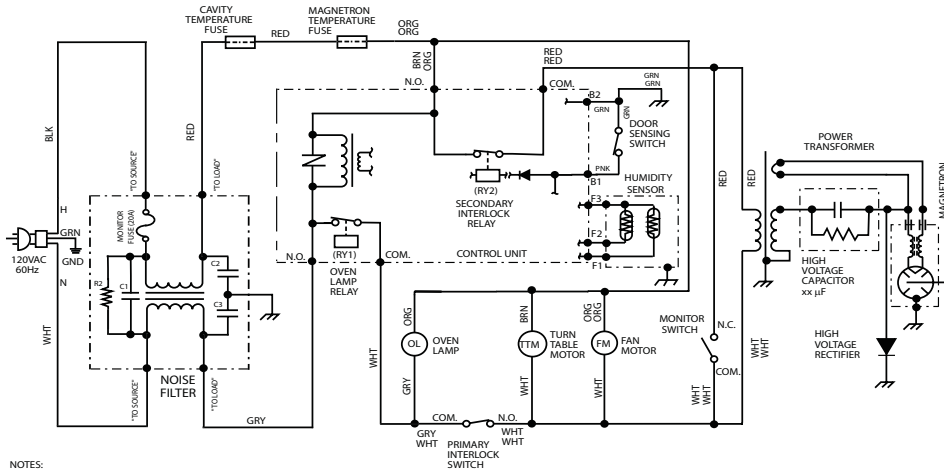
Note: * Indicates component



- NOTES:
 1. CIRCUITS SUBJECT TO CHANGE WITHOUT NOTICE.
 2. TERMINAL WITH PROJECTION OR OPPOSITE BLUE MARK ON LAMP SOCKET MUST BE CONNECTED TO NEUTRAL WIRE.
 3. ONLY CERTAIN MODELS USE THE ABSOLUTE HUMIDITY SENSOR.
 4. POWER TRANSFORMER TOP (FINISH LEAD) TERMINAL MUST BE CONNECTED TO THE NEUTRAL (WHT) WIRE.

Figure O-1 Oven Schematic - Off Condition

SCHMATIC
 NOTE: CONDITION OF OVEN
 1. DOOR CLOSED
 2. COOKING TIME PROGRAMMED
 3. VARIABLE COOKING CONTROL "HIGH"
 4. "START" PAD TOUCHED



- NOTES:
 1. CIRCUITS SUBJECT TO CHANGE WITHOUT NOTICE.
 2. TERMINAL WITH PROJECTION OR OPPOSITE BLUE MARK ON LAMP SOCKET MUST BE CONNECTED TO NEUTRAL WIRE.
 3. ONLY CERTAIN MODELS USE THE ABSOLUTE HUMIDITY SENSOR.
 4. POWER TRANSFORMER TOP (FINISH LEAD) TERMINAL MUST BE CONNECTED TO THE NEUTRAL (WHT) WIRE.

Figure O-2 Oven Schematic - Cooking Condition