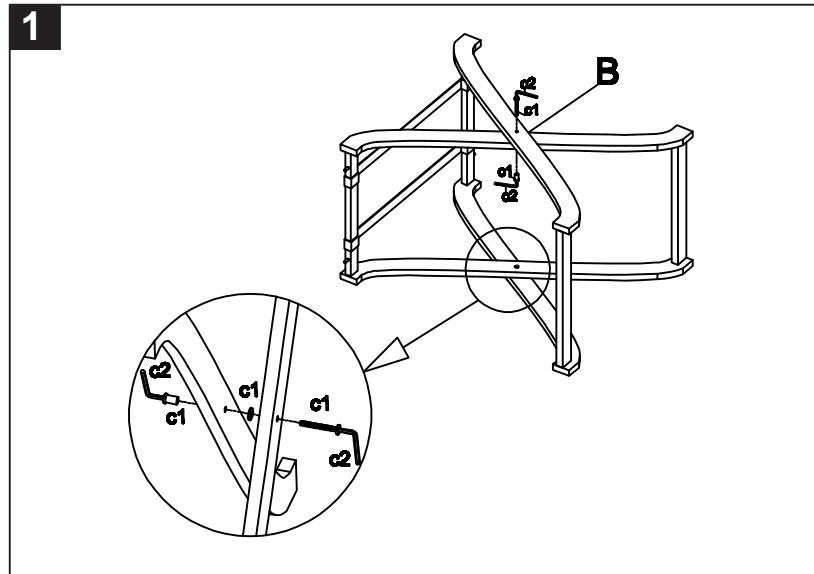
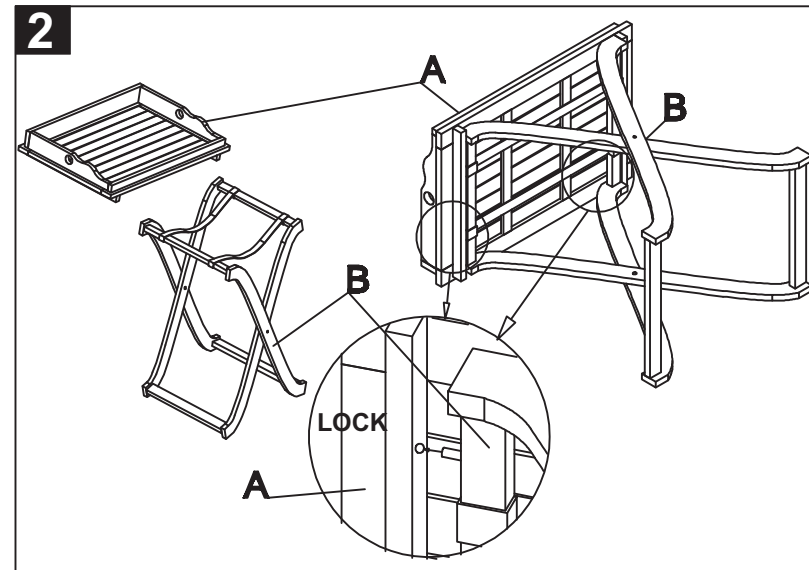


PREPARATION

Before beginning the assembly of the product, make sure all parts are present. Compare the parts with the package contents list and hardware contents list. If any parts are missing or damaged, do not attempt to assemble the product. Tool required for assembly (included): Allen Key.



Step 1: open the leg (B) then assembly two legs by using the Allen bolt (C1) as shown on the picture . Tighten with the Allen key (C2).



Step 2: put the tray (A) to the legs (B) as shown on the picture. Make sure the steel pins are inside the holes before use.

CARE AND MAINTENANCE

Store outdoor furniture indoors or cover well when it is not in use. Dust regularly with small brush or vacuum. Spills should be taken care of immediately before they harden or stain with a slightly dampened sponge.

NOTICE


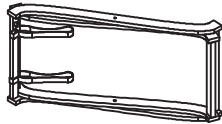


Please make sure that you have all parts indicated before you begin assembly of this item.

 **SAFAVIEH**
OUTDOOR LIVING

MODEL# PAT6716

Product Dimension: 18.9"W x 27.17"D x 31.5"H

Part List and Hardware List

PIECE	DESCRIPTION	PICTURE	QUANTITY
A	TRAY		1X
B	LEG		1X
c1	Allen Bolt	 M6x32	2x
c2	Allen Key		2x

