

# ***Installation Instructions***

## ***Model Aurora™ Aurora™ Plus Serenity™ (Wooden Frame) and Tranquility™ (Wooden Frame)***



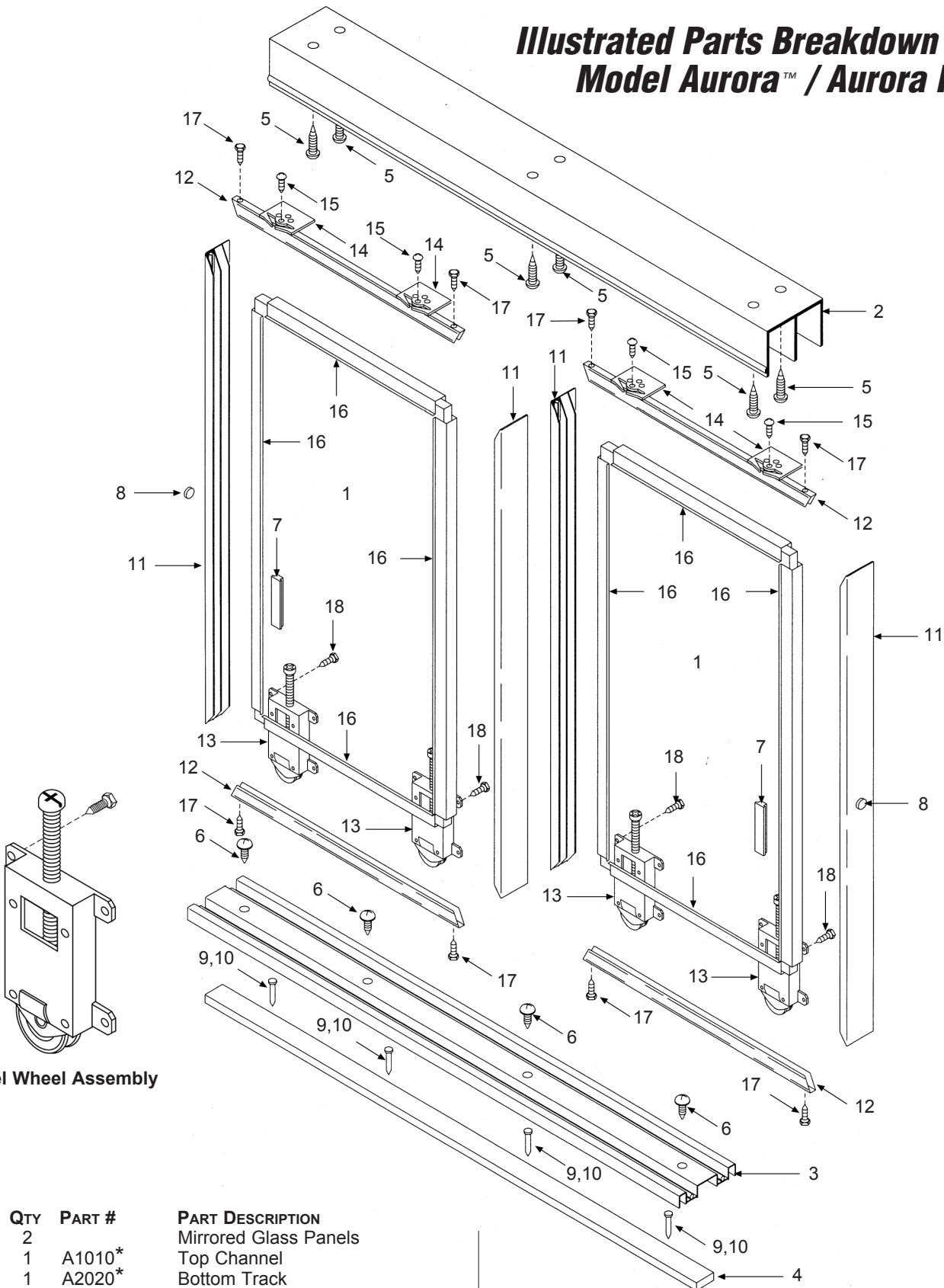
**Quality.**

*"We Set The Standard."*



**Contractors Wardrobe®** DESIGNERS • MANUFACTURERS  
26121 Avenue Hall • Valencia, CA 91355 • (661) 257-1177 • FAX: (661) 257-4907  
Toll Free: (800) CW-DOORS • (800) 293-6677 • [www.CwDoor.com](http://www.CwDoor.com)

# Illustrated Parts Breakdown (IPB) Model Aurora™ / Aurora Plus™



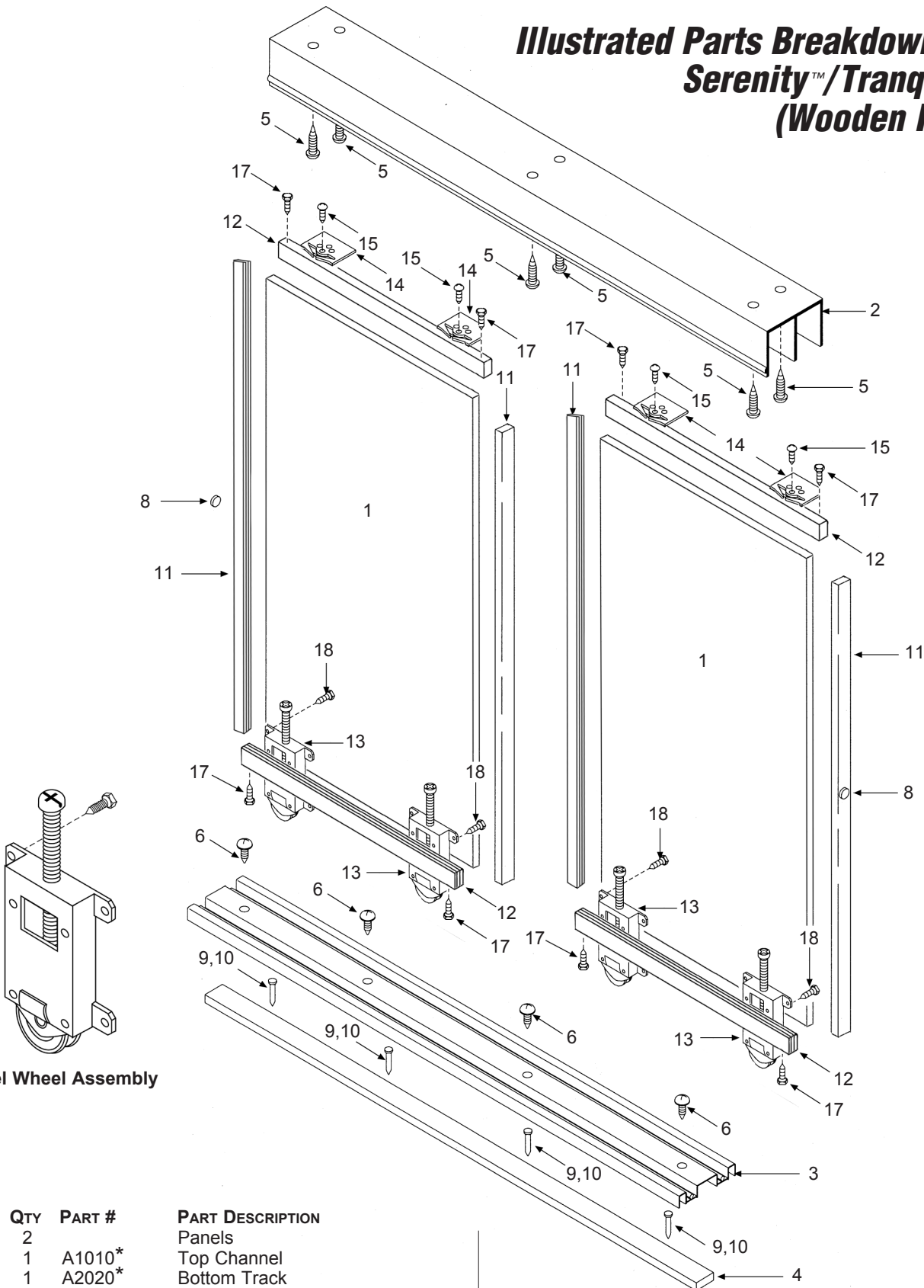
**Steel Wheel Assembly**

No.	QTY	PART #	PART DESCRIPTION
1	2		Mirrored Glass Panels
2	1	A1010*	Top Channel
3	1	A2020*	Bottom Track
4	1	W0101	Wood Strip
5	6	S0095*	#8 x 1-1/2" PH SMS Screw
6	4	S0055*	#8 x 1/2" Truss Screw
7	2	HMA*	Mirror Handle (Aurora™ only)
8	2	B0101	Clear Bumper
9	4	N2030	Concrete Nails
10	4	N1030	5 Penny Nails
11	4	A4040	Side Mold

No.	QTY	PART #	PART DESCRIPTION
12	4	A3030*	Top and Bottom Mold
13	4	W8020	Steel Wheel Assembly
14	4	G1000	Nylon Top Guide
15	4	S0043	#8 x 5/16" "B" Point Screw
16	2	G2120	Glazing Vinyl
17	8	S0160*	#8 x 3/4" HWH ASMS Screw
18	4	S0084*	#6 x 3/8" HWH Drill Point Screw

\*When reordering the part please indicate the SIZE and/or COLOR

# Illustrated Parts Breakdown (IPB) Serenity™/Tranquility™ (Wooden Frame)




**Steel Wheel Assembly**






No.	QTY	PART #	PART DESCRIPTION
1	2		Panels
2	1	A1010*	Top Channel
3	1	A2020*	Bottom Track
4	1	W0101	Wood Strip
5	6	S0095*	#8 x 1-1/2" PH SMS Screw
6	4	S0055*	#8 x 1/2" Truss Screw
8	2	B0101	Clear Bumper
9	4	N2030	Concrete Nails
10	4	N1030	5 Penny Nails
11	4		Side Mold

No.	QTY	PART #	PART DESCRIPTION
12	4	A3030*	Top and Bottom Mold
13	4	W8020	Steel Wheel Assembly
14	4	G1000	Nylon Top Guide
15	4	S0043	#8 x 5/16" "B" Point Screw
17	8	S0160*	#8 x 3/4" HWH ASMS Screw
18	4	S0084*	#6 x 3/8" HWH Drill Point Screw

\*When reordering the part please indicate the SIZE and/or COLOR

Congratulations on purchasing your new  Wardrobe Doors. Now that you have opened the package, we want you to verify that you have all the necessary hardware supplied with your doors.

## **PARTS CHECK LIST:**

No.	QTY	DESCRIPTION
(#1)	2	Panels
(#2)	1	Top Channel
(#3)	1	Bottom Track
(#4)	1	Wood Strip (located inside of track)
(#5)	6	#8 x 1-1/2" PH SMS Screws: 
(#6)	4	#8 x 1/2" Truss Screws: 
(#7)	2	Mirror Handles (In bag, attached to back of the Panels) (Aurora™ only)
(#8)	2	Clear Bumpers: 
(#9)	4	Concrete Nails: 
(#10)	4	5 Penny Nails: 

If you find that any parts are damaged or missing, refer to the parts list and the IPB Drawing and contact Contractors Wardrobe®'s Customer Service Department at 661-257-1177. NOTE: Views and directions given in these instructions — left, right, front and back, etc. — are from outside the closet, facing the wardrobe doors.

## **TOOL CHECK LIST:**

You will need:

- Phillips Screwdriver
- Tape Measure
- Hammer
- Pencil
- 3/8" Drill Motor and 3/16" and 1/8" Drill Bits
- Miter Box and Hacksaw
- Square
- Glass Cutter (for optional Mirror Fascia)
- Four 1" Screws and Screw Anchors (For ceramic tile floors only. See Floor Check List #5)
- Adhesive (For ceramic tile floors only. See Floor Check List #5)

## **INSTALLING THE DOORS**

### **STEP 1 Removing the Existing Doors**

Remove existing doors, brackets, top channel and bottom track.

### **STEP 2 Installing the Top Channel**

- A. Measure the opening at the top of the closet from wall to wall.
- B. Cut the new Top Channel (#2) to this dimension. When cutting the Top Channel (#2) we recommend that you use a Miter Box and Hacksaw for a straight cut. Cut one side only.

**NOTE:** If your closet has bumper jambs you may need to notch your Top Channel (#2) on each end.

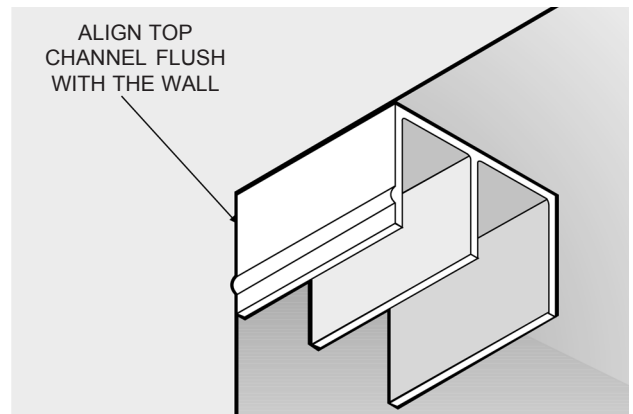


Figure 1

- C. When cut to proper length, install Top Channel (#2) up to the top front of closet opening making sure that the front of the Top Channel (#2) is flush with outside walls (See Figure 1). Hold up the Top Channel (#2) in the desired position and with your Pencil, mark where the pre-drilled holes are in the Top Channel (#2).
- D. Remove the Top Channel (#2) and drill holes using 1/8" Drill Bit where you made the pencil marks. Now install the Top Channel (#2) in place using the #8 x 1-1/2" PH SMS Screws (#5).

### **STEP 3 Installing the Bottom Track**

- A. Make sure that you have used the Floor Check List to determine which floor and installation you will use.

## **FLOOR CHECK LIST**

### **1. Do you have carpet?**

It is highly recommended that if you have carpet and do not have a cut-out in the carpet

already, you should cut the carpet in order to install the Bottom Track (#3). We do not recommend installing the Bottom Track (#3) directly on top of carpet.

**2. Do you have a concrete, wood floor or ceramic tile floor?**

- A. If it is a concrete floor, go to 3...
- B. If it is a wood floor, go to 4...
- C. If it is a ceramic tile floor, go to 5...

**3. If you have a concrete floor you will:** Use Concrete Nails (#9) to attach Wood Strip (#4) to floor.

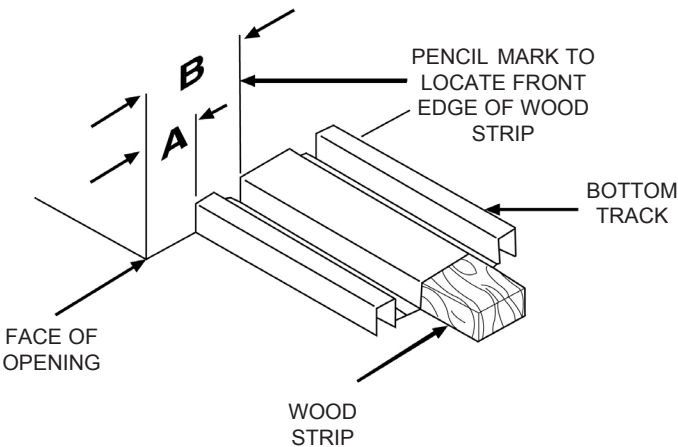
**4. If you have a wood floor you will:** Use 5 Penny Nails (#10) to attach Wood Strip (#4) to wood floor.

**5. If you have a ceramic tile floor you will:** Drill holes with a 3/16" Masonry Drill Bit. Insert Screw Anchors and attach Wood Strip (#4) to floor with screws. Or, you may glue the Wood Strip (#4) down with panel Adhesive.

**TRACK OFFSET MEASUREMENTS FROM FACE OF OPENING TO FRONT EDGE OF TRACK**

Track Offset	A	B
All Aluminum Track and Channel Aurora™/Aurora™ Plus doors	1/2"	1-1/2"
Serenity™/Tranquility™	5/8"	1-5/8"

**For optional Mirror Fascia, add 1/4" to the Bottom Track offset measurement.**



**NOTE:** If the floor board molding continues into the closet opening, you may need to remove it so that the Wardrobe Doors will close flush to the wall.

- B. Locate Wood Strip (#4) supplied in kit and measure inside bottom closet opening and cut to length.

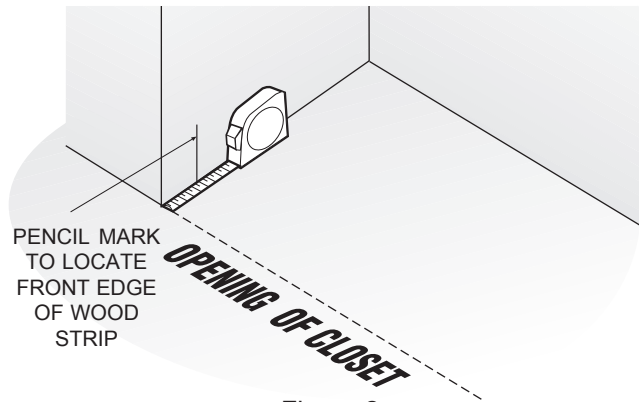


Figure 2

- C. Find the correct offset measurement using the **Offset Measuring Table (B Measurement)** for your particular installation. From the front edge of closet opening inward, measure using dimension from table and make a pencil mark on wall. Do this on both walls, i.e., right and left walls (See Figure 2).
- D. Place front of Wood Strip (#4) up to pencil mark on wall (See Figure 3). Do this on both sides. Now attach Wood Strip (#4) according to your Offset Measuring Table.

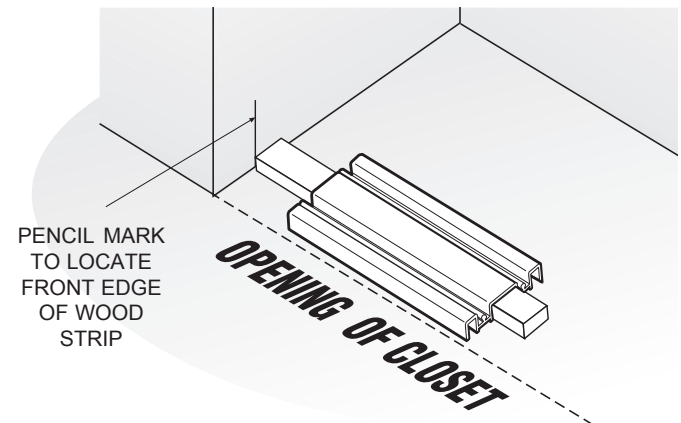


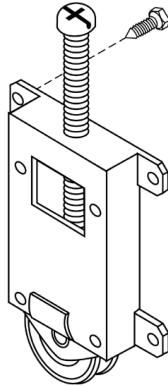
Figure 3

- E. Cut the Bottom Track (#3) to your measurement of the inside closet opening. Slide the Bottom Track (#3) over Wood Strip (#4) and attach with #8 x 1/2" Truss Screws (#6).

**STEP 4 Installing the Mirrored Glass Panels**

- A. Make sure you have a pad or blanket to protect the Panels from scratches. Lay Panels with backside up on the floor. Locate one of the Steel Wheel Assemblies (#13) on the bottom of a Panel. With a Phillips Screwdriver, turn the adjusting screw to the right to lower the roller. Do this until you have 1" of roller showing. Adjust both Steel Wheel Assemblies (#13) on each Panel. (This will avoid scratching the Bottom Track (#3) when installing the Panels.)

- B. Pick up one Panel (#1) and, with the mirror facing you, tilt the top of the Panel (#1) back and slip the Panel (#1) into the back runner of the Top Channel (#2). Next, set the bottom of the Panel (#1) into the back runner of the Bottom Track (#3).



- C. For the front Panel (#1), repeat B, but place the Panel (#1) into the front runner of the Top Channel (#2) and front runner of the Bottom Track (#3).

### STEP 5 Adjustment of Panels

Slide the front Panel to the side closest to the room's entrance door (This is how the Wardrobe Doors will be in position to look their best.). Look at the space between the door edge and the wall. You want the door edge and the wall to be flush. If you see space at the top or bottom edge of the Panel, turn the adjusting screw on top of the Steel Wheel Assembly (#13) on the lower back of the Panel nearest the wall. Turn the screw left or right until the Panel aligns flush with the wall (See Figure 4).

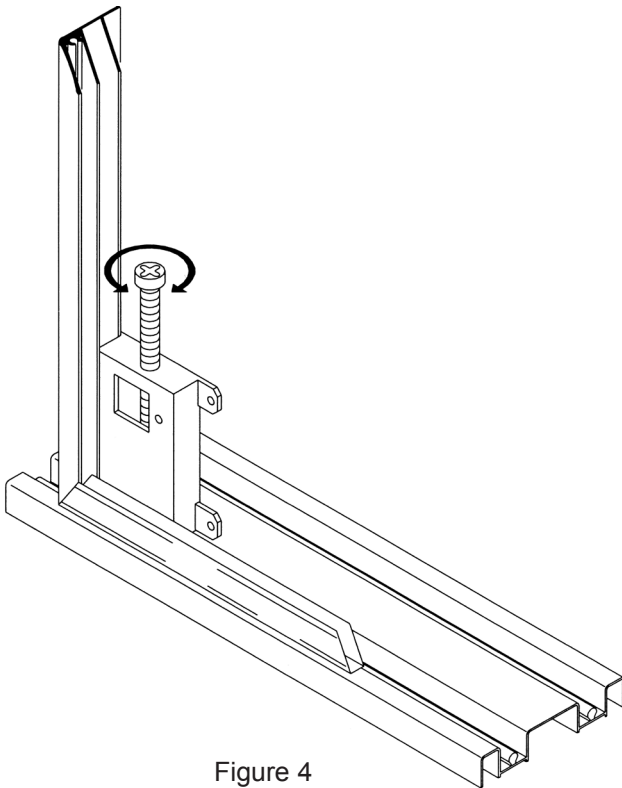


Figure 4

### STEP 6 Installing the Clear Bumpers

Peel paper off the back of the Clear Bumpers (#8) and place on the edge of the Panel frame 30-1/2" up from the bottom. The Clear Bumpers (#8) will cushion and protect the door and wall when you close the Wardrobe Doors (See Figure 5).

### STEP 7 Installing the Handles

NOTE: Serenity™/Tranquility™ door style does not have Handles.

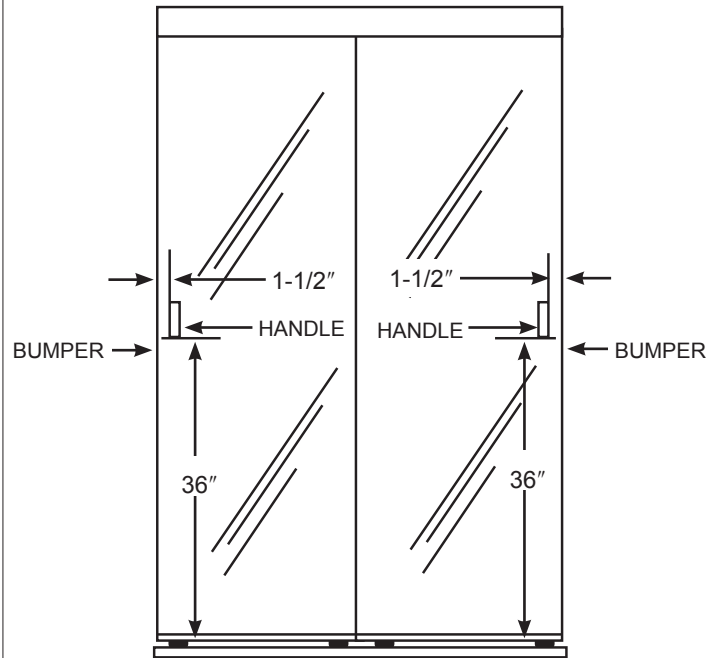


Figure 5

- A. Clean the mirror in the area where the Mirror Handles (#7) will be applied. Peel paper off the back of the Mirror Handles (#7). Position each Handle 36" from the bottom of the Panel (#1) and 1-1/2" from outside edge of the Side Mold (#11) (1/2" in from the Glazing Vinyl (#16) on each Panel (#1) (See Figure 5).
- B. If there are three Panels, place two Handles on the center Panel.

Thank you for purchasing a  Wardrobe Door. If you like this product, we invite you to visit our website at [www.CwDoor.com](http://www.CwDoor.com) for more information about our extensive line of other Wardrobe Doors, Room Partitions and Loft Dividers, Cabinet Doors, and Shower Enclosures. They feature Duratuf® Tempered Safety Glass, Painted Glass, CwShield™ Protective Coating and Duraflect® Copper-Free Mirror.