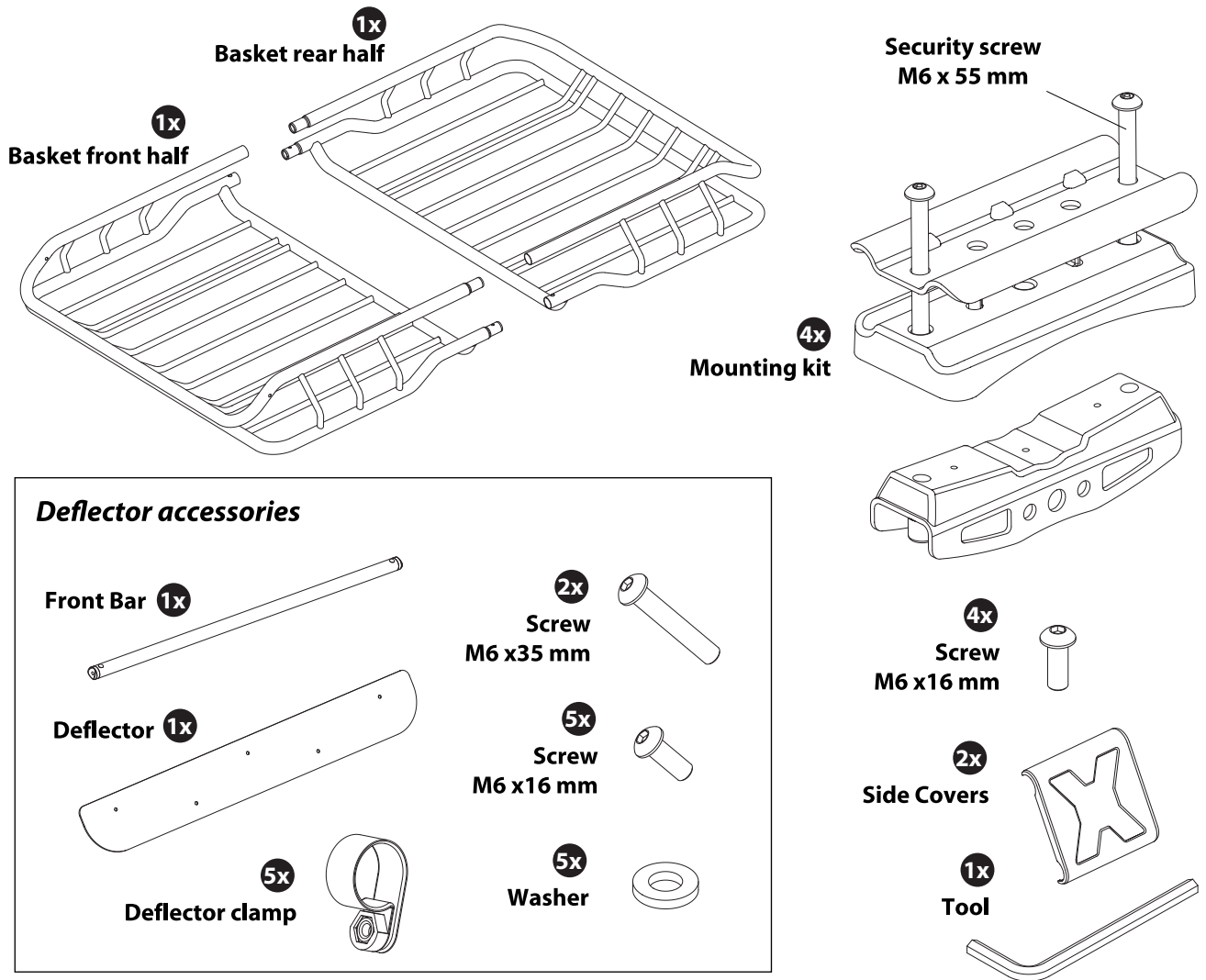


ROOF BASKET

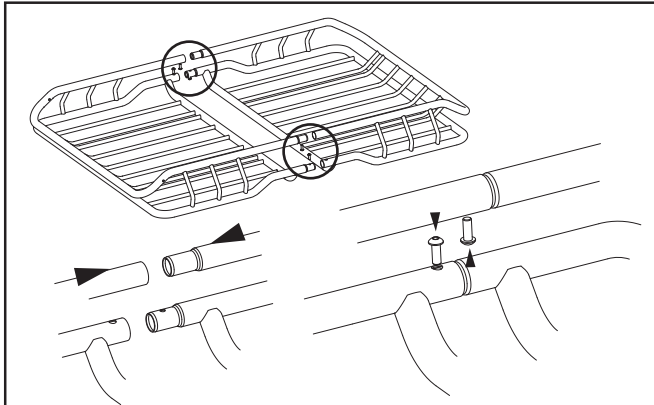
ER-08208

PARTS LIST

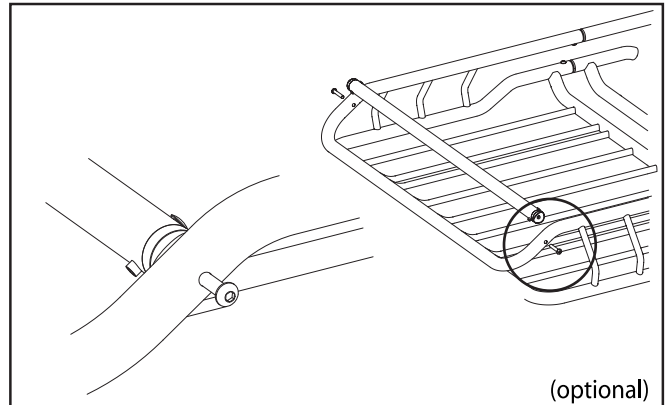


WARNINGS / COMPATIBILITIES / RESTRICTIONS

- Please read the instructions carefully. The end user is fully responsible for assembly and installation of this product.
- . Do not carry more than 60 kg (132 lbs.) on this load carrier. Make sure the total load (cargo weight plus weight of the bars) does not exceed the car maximum load capacity (see the owner manual).
 - . Check the crossbar instructions or the car owner's manual for any restrictions about accessories used on the load bars.
 - . The height of your cargo will affect the possibility to access low entrance spaces.
 - . The cargo will affect your driving behavior.
 - . Front and rear of long loads must be tied down to the front and rear of the vehicle using a solid part of the vehicle (tow hooks for example).
 - . Failure to properly install this product and the bike on the carrier may cause damage to the car and bike and in the worst case personal injury.
 - . Do not modify any components of the product.
 - . Do not use the product for other purposes than those for which they were designed.
 - . Please respect the speed limit and adapt your speed to the condition of the road.
 - . Before leaving and at every stop, please check that all the parts are firmly tightened.
 - . Check periodically your product for signs of wear, corrosion and fatigue.
 - . During your trip, periodically check that your load is firmly attached.
 - . Please consult your store if you have any questions regarding this product.
 - . Remove your cargo basket before entering automatic car washes.
 - . Use lubricant on the bolts to avoid corrosion.

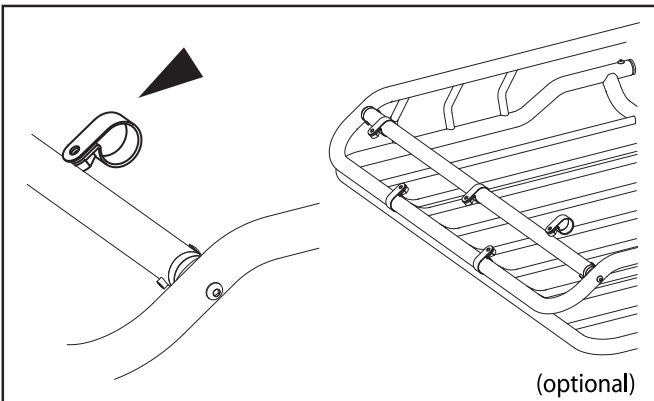


Step 1: Assemble front basket to rear basket using 4 screws M6x16. Firmly tighten all the screws.



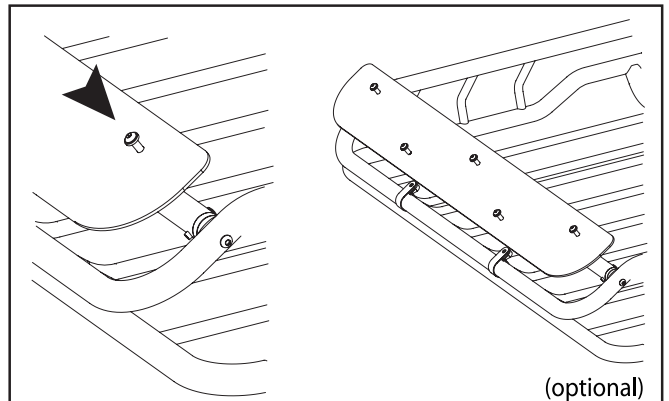
(optional)

Step 2: Assemble the front bar to the basket front half using 2 screws M6x35. Tighten firmly.



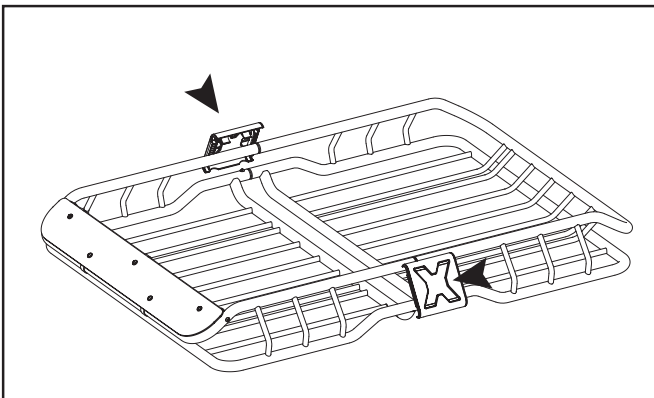
(optional)

Step 3: Insert the 5 plastic clamps on the front tube Position 3 at the top and 2 at the bottom as described here.

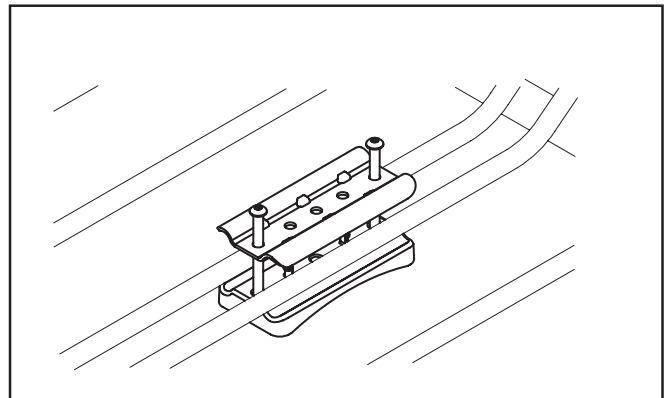


(optional)

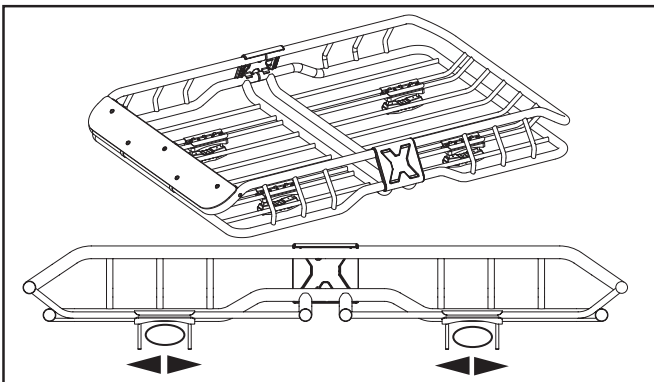
Step 4: Use 5 screws M6x16 to attach the deflector to the basket front part using the 5 clamps installed step 3.



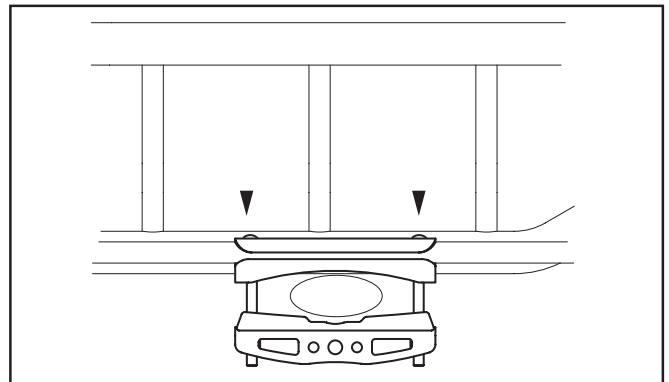
Step 5: Install the 2 side covers as indicated on the drawing. Make sure they are correctly secured in position.



Step 6: Install the 4 attachment kits on the basket.



Step 7: Install the basket on the bars. The distance between bars should not be lower than 21" and higher than 30". Slide the kits to fit on the bars. Make sure the basket is centered.



Step 8: Assemble the lower clamp of the attachment kit. Center the clamp on the crossbar. Balance the tightening force one screw to the other. Tighten firmly.