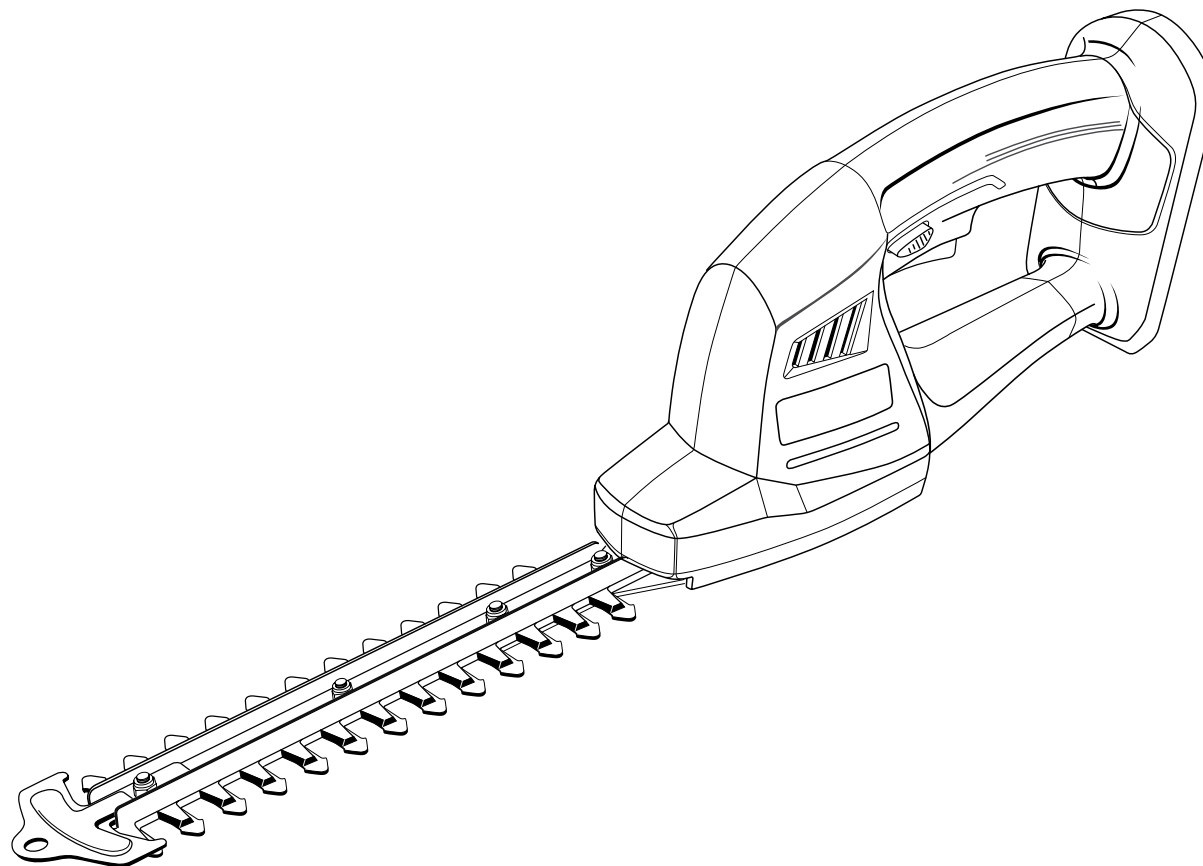


# REPAIR SHEET

BRAND <b>RYOBI</b>		DESCRIPTION <b>18 Volt Shrubber</b>
MODEL NO. <b>P2907VNM</b>	MFG. NO. <b>108641001</b>	

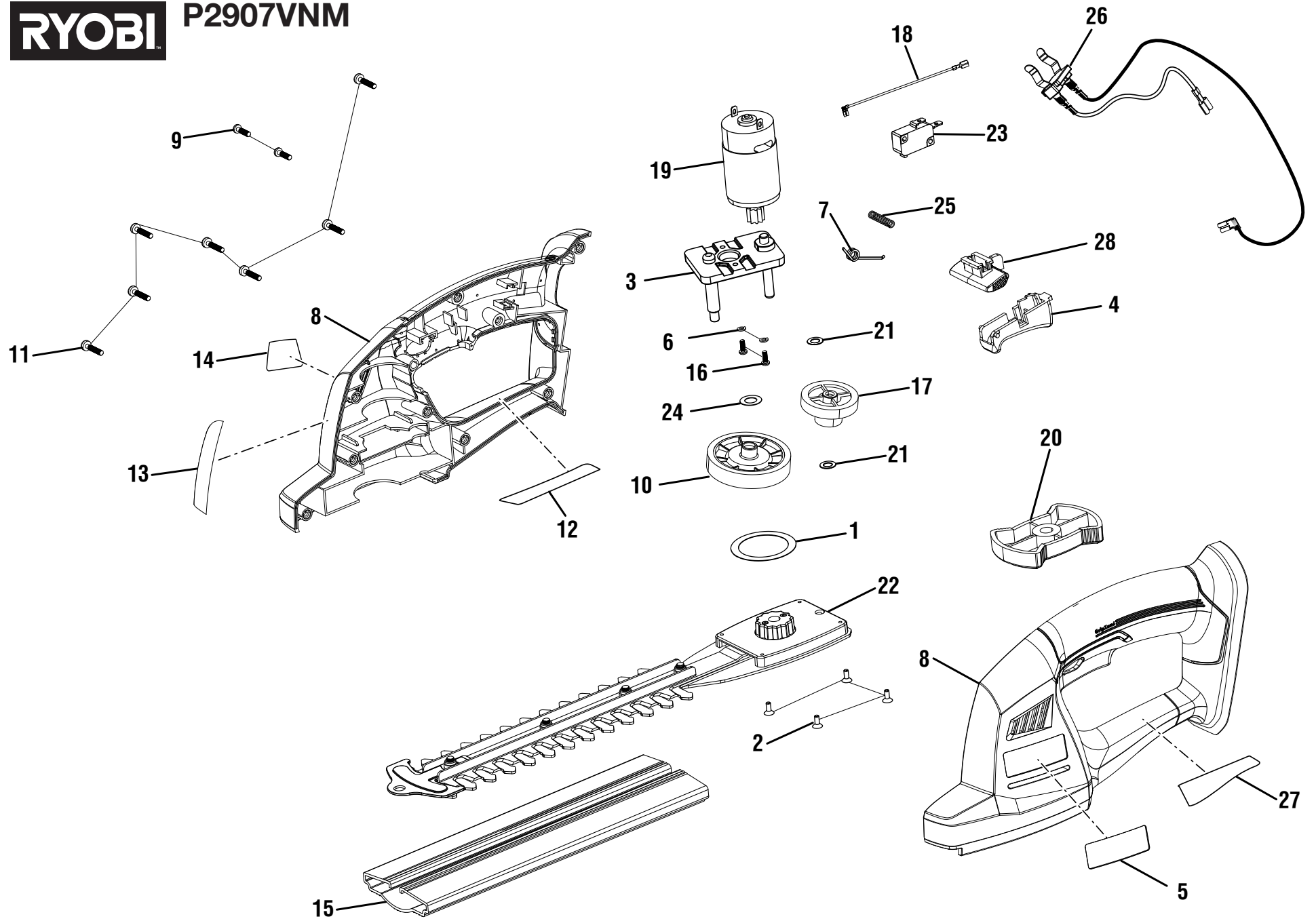


**TTI OUTDOOR POWER EQUIPMENT, INC.**

P.O. Box 1288, Anderson, SC 29622 ■ 1-800-525-2579 ■ [www.ryobitools.com](http://www.ryobitools.com)

2-15-22 (Rev:03)

*The model number and manufacturing location will be found on a label attached to the product. Always mention this information in all communications regarding this product and when ordering parts.*



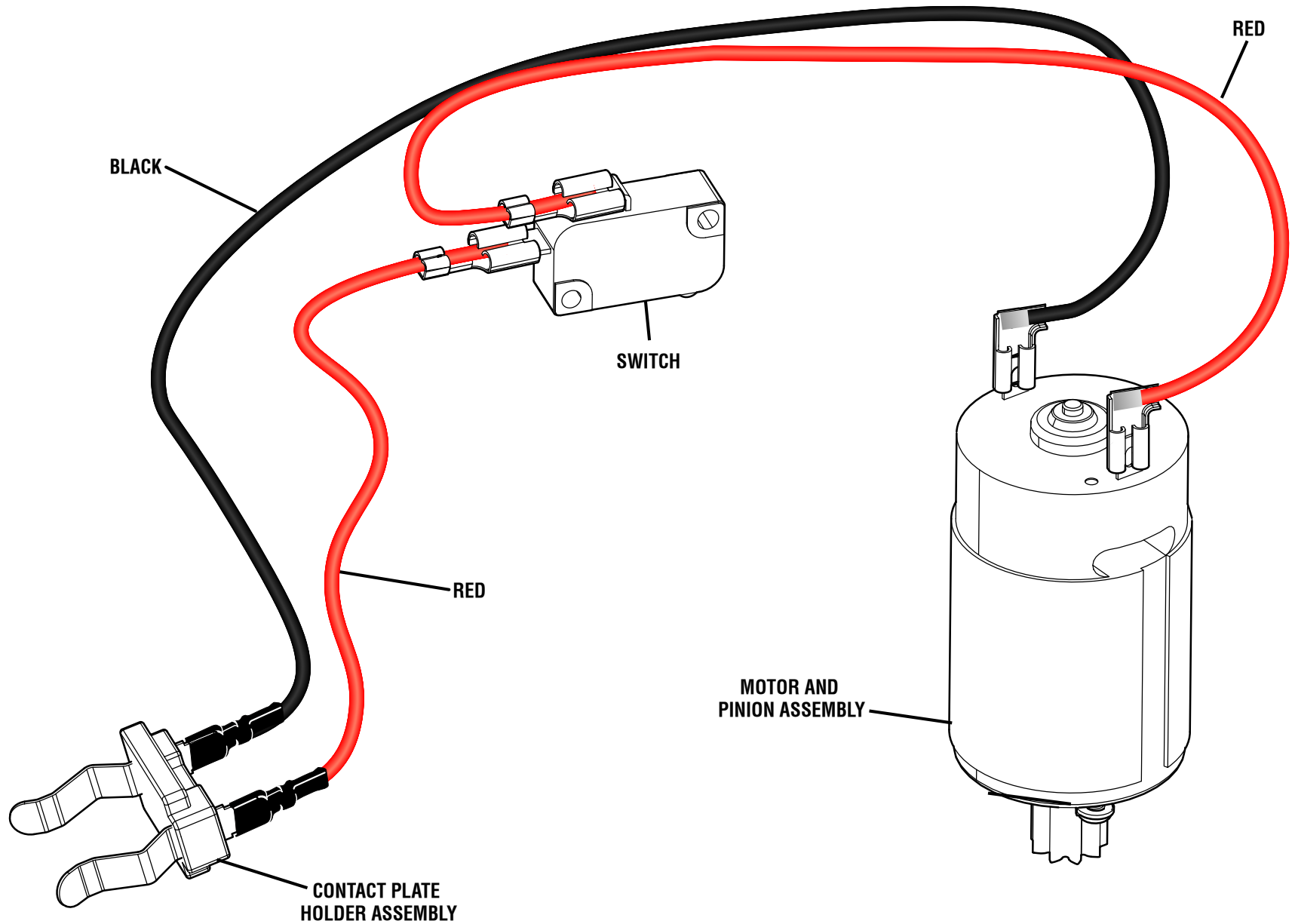


P2907VNM

PARTS LIST

KEY NO.	PART NO.	DESCRIPTION	QTY.
1	672729001	O-Ring	1
2	660204013	Screw (M3 x 8.5 mm, Flat Hd.)	4
3	302347001	Motor Mount Assembly	1
4	516708004	Trigger	1
5	940705511	Logo Label	1
6	670028003	Washer (OD5.7 x ID3.1 x 0.8t)	2
7	672752001	Trigger Spring	1
8	316961001	Housing Assembly (Inc. Key Nos. 5, 12-14 & 27)	1
9	660206058	Screw (M3.5 x 12mm, Pan Hd.)	2
10	516711001	Gear	1
11	660206059	Screw (M3.5 x 16 mm, Pan Hd.)	7
12	941657029	Warning Label	1
13	941657025	Icon Label	1
14	941588702	Data Label	1
15	516819003	Scabbard	1

KEY NO.	PART NO.	DESCRIPTION	QTY.
16	660086009	Screw (M3 x 8 mm)	2
17	516712001	Step Gear	1
18	290044002	Receptacle and Wire Assembly	1
19	230172001	Motor and Pinion Assembly	1
20	302311001	Knob Assembly	1
21	670914001	Washer (ID 6.5 x OD11 x 0.3t)	2
22	302350003	Hedge Trimmer Blade Assembly (Inc. Key No. 2 & 15)	1
23	760689001	Switch	1
24	672728001	Washer (OD15 x 8.4 x 0.3t)	1
25	670499001	Compression Spring	1
26	316962001	Contact Plate Holder Assembly	1
27	941657026	Danger Label	1
28	546479001	Lock-Off Button	1
	<b>Not Shown:</b>		
	998000279	Operator's Manual	



**WIRING DIAGRAM**