

Shutter Installation

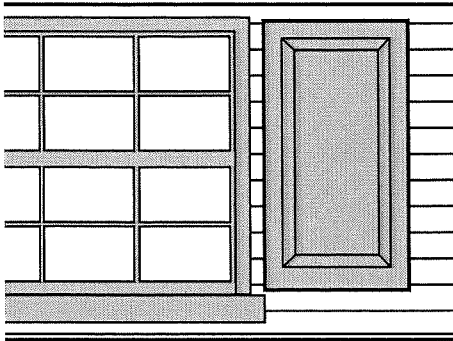


Figure 1

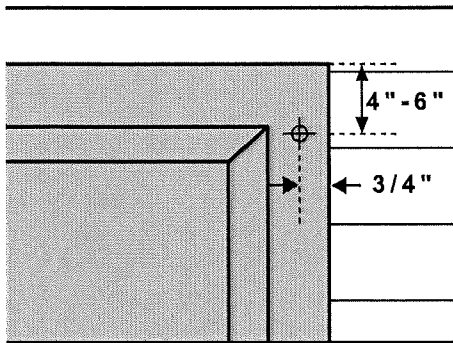


Figure 2

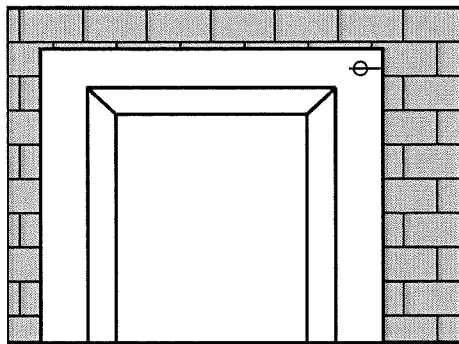


Figure 3

How To Finish and Install Your Pinecroft® Exterior Shutters

Tools Required

Accessories (Not Included)

- Medium Screwdriver • Non-Corrosive Screw
- Drill • Spacers (galvanized washers)
- Safety Glasses • Masonry Anchors (if applicable)
- Paint Brushes, Sanding Paper

Tips for Finishing: You will need an oil-based primer and paint, or a good quality stain and exterior sealer, and caulk or spackling putty.

Finishing

As with any quality all-wood product, these exterior shutters should be properly finished prior to installation.

If you plan to paint your shutters:

1. Prime the entire shutter (all exposed surfaces) with a high quality oil-based primer applied according to primer label instructions.
2. Allow to dry as specified.
3. After priming, if wood seems "fuzzy" or "rough", sand with medium to fine sandpaper or steel wool. Reapply primer if necessary.
4. For added protection against water infiltration, apply a good quality caulk or spackling putty to the top edge of the shutter.

If you plan to stain your shutters:

1. Apply exterior stain according to instructions on the stain label.
2. Allow to dry as specified; sand if necessary.
3. For added protection against water infiltration, apply a good quality caulk or spackling putty to the top edge of the shutter.
4. Apply adequate coats of exterior sealer.

Installation Alignment/Marking

1. Place the shutter next to the window at the desired location (see Figure 1).
2. Clearly mark screw hole locations with a pencil. Screw holes should be marked 4" to 6" from the top and bottom of the stile, and within 3/4" above the point where the siding makes contact with the shutter (see Figure 2). This allows for maximum screw penetration.
3. The remaining screw holes should be located an equal distance from each other in the same fashion as described above.
4. On the 81" shutter, two additional holes should be marked at the shutter's midpoint for added stability. Make sure these holes are also within 1" as above. Shutters 43" and larger also require a screw at the mid-point for mounting.

Drilling

1. Drill holes on the shutter side rails, centered at the marked locations. Drilling should be done on a bench or on the ground. DO NOT drill holes into siding.

Attachment

1. Place the shutter next to the window at the desired location (see Figure 1).
2. Place non-corrosive screws through the previously drilled shutter holes and tap to start them. Tighten screws only until the head touches the surface of the shutter. DO NOT force down tightly or overtighten.
3. A spacer should be used to keep the shutter from direct contact with the mounting surface. This helps retard moisture accumulation between the shutter and the mounting surface.
4. When mounting on brick, stone or other masonry products, locate the screw holes so they enter mortar joints. Drill holes to accept suitable masonry anchors and attach shutter (see Figure 3)

Limited Warranty

Thank you for purchasing a Pinecroft® Shutter.

The manufacturer warrants all shutters for one (1) year from the date of shipment to be of good material and workmanship and to be free of defects which would render the shutters unusable or unfit for ordinary application. Proof of purchase, consisting of an original dated receipt, is required to validate the terms of this warranty.

If warranted shutters are found to contain defects, the manufacturer may, at its discretion, either repair the shutter without charge, replace the shutter without charge, or refund the original price paid for the shutter.

The manufacturer will perform one of the above obligations within forty-five (45) days after appropriate notice has been given by the customer to the manufacturer. Said notice must be written, must include a specific description of the alleged defect, and must be accompanied by the proof of purchase as described above.

The manufacturer will not be liable for any shutter repaired or replaced without prior written consent. At no time will the manufacturer, compensate a customer for the painting or rehang of shutters necessitated by repair or replacement.

This warranty is valid only if proper installation, in accordance with the above instructions, is followed. The manufacturer reserves the final discretion pertaining to installation.

The sole responsibility of the manufacturer under this warranty is as stated herein. It shall not be liable for any damages or for any amount in excess of its cost to repair or replace the defective shutter, or to refund the original purchase price to the customer, whether the claim is for breach of warranty or for negligence. We do not recommend trimming or altering the shutters. Doing so may void the warranty.

Congratulations

Thank you for purchasing your wooden Shutters. Congratulations on choosing a brand name known for high quality and durability. Whenever you see the Pinecroft® Quality Seal, you will know that it is a symbol of our commitment to quality and a reminder that we always stand behind our products.



LTL HOME PRODUCTS, INC.

