

Dyna-Glo®

3-BURNER LP GAS GRILL WITH SEARPLUS™ BURNER

Model #DGH353CRP/DGH353CRP-D

Français p. 29

Español p. 57



BEFORE YOU BEGIN >>>



Scan for easy
3D instructions



Questions, problems, missing parts?

Before returning to your retailer,

call our customer service

department at **1-877-447-4768**,

8:00 a.m. – 4:30 p.m., CST,

Monday – Friday or e-mail us at

CustomerService@ghpgroupinc.com

052821

Table Of Contents

Safety Information	3
Package Contents	5
Hardware Contents	6
Preparation.....	6
Assembly Instructions.....	7
Operation Instructions.....	15
Care and Maintenance	20
Troubleshooting	23
Limited Warranty	24
Replacement Parts List	25

Assembler/Installer: This manual contains important information necessary for the proper assembly and safe use of this appliance. Read and follow all warnings and instructions before assembling and using this appliance. **Leave these instructions with the consumer.**

Retain these instructions for future reference.



Consumer/User: Follow all warnings and instructions when using this appliance.



DANGER

If you smell gas:

1. Shut off gas to the appliance.
2. Extinguish any open flame.
3. Open lid.
4. If odor continues, keep away from the appliance and immediately call your local fire department.



WARNING

1. Do not store or use gasoline or other flammable liquids or vapors in the vicinity of this or any other appliance.
2. An LP (liquid propane) cylinder not connected for use shall not be stored in the vicinity of this or any other appliance.
3. This grill is for outdoor use only and shall not be used in a building, garage, under overhangs or any other enclosed area.
4. Do not leave a lit grill unattended. Keep children and pets away from the grill at all times.



Safety Information

Please read and understand this entire manual before attempting to assemble, operate or install the product. If you have any questions regarding the product, please call customer service at: 1-877-447-4768, 8:00 a.m. – 4:30 p.m., CST, Monday – Friday.

DANGER

- Do not use in an explosive atmosphere. Keep grill area clear and free from combustible materials, gasoline and other flammable vapors and liquids.



WARNING: FUELS USED IN LIQUEFIED PROPANE GAS APPLIANCES, AND THE PRODUCTS OF COMBUSTION OF SUCH FUELS, CAN EXPOSE YOU TO CHEMICALS INCLUDING BENZENE, WHICH IS KNOWN TO THE STATE OF CALIFORNIA TO CAUSE CANCER AND CAUSE BIRTH DEFECTS OR OTHER REPRODUCTIVE HARM. For more information go to: www.P65Warnings.ca.gov.

CAUTION

- Never use charcoal or lighter fluid with the grill.
- Do not use gasoline, kerosene or alcohol for lighting.
- The LP gas cylinder used with this appliance must be:
 - (a) Constructed and marked in accordance with the Specifications for LP-Gas Cylinders of the U.S. Department of Transportation (D.O.T.) or the National Standard of Canada, CAN/CSA-B339, Cylinders, Spheres and Tubes for Transportation of Dangerous Goods; and Commission, as applicable; and
 - (b) Provided with a listed overfilling prevention device.
 - (c) Provided with a cylinder connection device compatible with the connector for outdoor cooking appliances. This grill is not intended to be used in or installed on recreational vehicles and/or boats.
- Never keep a filled container in a hot car or car trunk. Heat will cause the gas pressure to increase, which may open the relief valve and allow gas to escape.
- Always open grill lid slowly and carefully as heat and steam trapped within the grill can burn you severely.

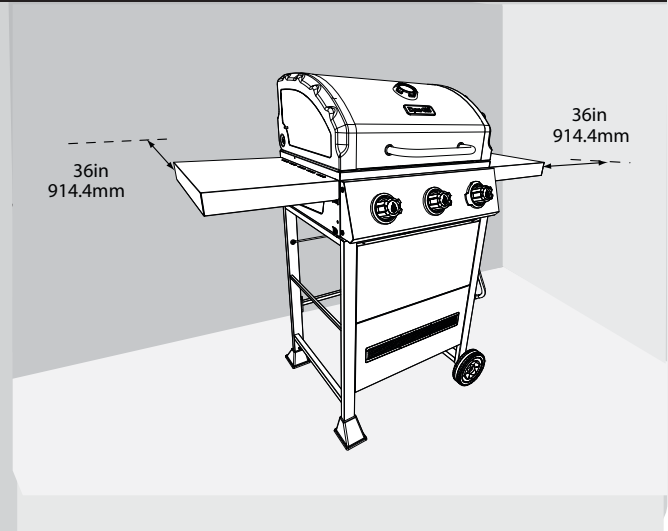


Safety Information

WARNING

- Do not place the grill under overhead combustible construction or awnings. Minimum clearance from sides and back of unit to combustible construction, 36 inches (914.4mm) from sides and back.

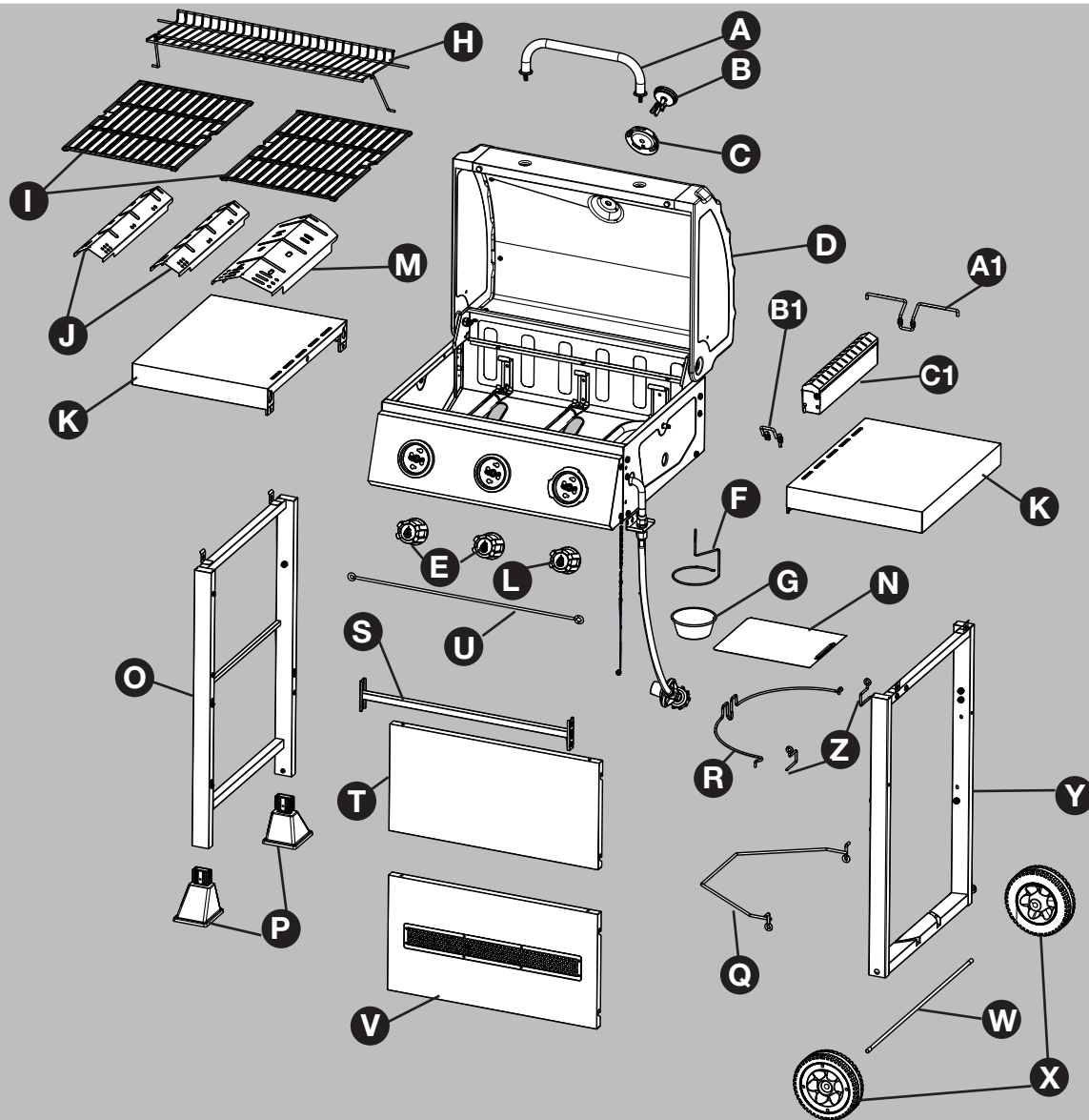
NOTE: The installation must conform with local codes or, in the absence of local codes, with either the National Fuel Gas Code, ANSI Z223.1/NFPA 54, Natural Gas and Propane Installation Code, CSA B149.1, or Propane Storage and Handling Code, B149.2.



CAUTION

- Do not store or use gasoline or other flammable liquids or vapors in the vicinity of this or any other appliance.
- An LP cylinder not connected for use shall not be stored in the vicinity of this or any other appliance.
- This grill is for use with propane gas only (propane cylinder not included).
- Never attempt to attach this grill to the self-contained propane system of a boat, camper trailer, motor home or house.
- Do not attempt to move the grill while it is lit or when it is hot. The casters should be locked when not moving the grill.
- Do not use the grill unless it is completely assembled and all parts are securely fastened and tightened.
- Keep all combustible items and surfaces at least 36 inches (91.44 cm) away from the grill at all times.
- Do not touch metal parts of grill until it has completely cooled (about 45 minutes) to avoid burns, unless you are wearing protective gear (pot holders, gloves, BBQ mittens, etc.).
- Do not alter this grill in any manner.
- Clean and inspect the hose before each use. If there is evidence of abrasion, wear, cuts, or leaks, the hose must be replaced prior to operating the appliance. The replacement hose assembly will be that which is specified by the manufacturer.
- Move gas hoses as far away as possible from hot surfaces and dripping hot grease.
- Keep the grill's valve compartment, burners and circulating air passages clean. Inspect the grill before each use. Do not obstruct the flow of gas or ventilation air.
- The use of alcohol, prescription or non-prescription drugs may impair the operator's ability to properly assemble or safely operate the grill.
- **Do not leave a lit grill unattended. Keep children and pets away from the grill at all times.**
- Do not place this grill on any type of tabletop surface. The grill should be placed on a flat and level surface.
- Do not use the grill in high winds.

Package Contents



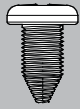
PART	DESCRIPTION	QTY.
A	Lid Handle Assembly	1
B	Temperature Gauge	1
C	Temperature Gauge Bezel	1
D	Grill Body Assembly	1
E	Control Knob	2
F	Grease Cup Holder	1
G	Grease Cup	1
H	Warming Rack	1
I	Cooking Grate	2
J	Heat Tent For Main Burner	2
K	Side Table	2
L	Control Knob For Sear Burner	1
M	Heat Tent For Sear Burner	1
N	Tank Heat Shield	1
O	Left Leg Assembly	1

PART	DESCRIPTION	QTY.
P	Leg End Cap	2
Q	Side Exclusion Bar	1
R	Tank Brace	1
S	Cart Rear Support	1
T	Cart Front Panel - Upper	1
U	Cylinder Exclusion	1
V	Cart Front Panel - Lower	1
W	Axle	1
X	Wheel	2
Y	Right Leg Assembly	1
Z	Tank Retention Fixed Wire	2
A1	Smoker Box Rear Support	1
B1	Smoker Box Front Support	1
C1	Smoker Box Assembly	1

Hardware Contents

AA

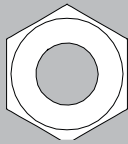
2X



St4 8x10
Screw

BB

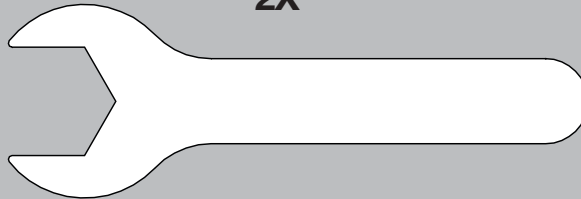
2X



M8 Nut

CC

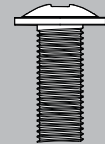
2X



M8
Wrench

DD

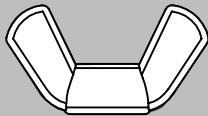
20X



M6x16
Screw

EE

2X



M6 Wing
Nut

FF

2X



M6 Spring
Washer

GG

2X



M6 Plain
Washer

HH

4X



M4x10
Screw

II

16X



M5x14
Screw

Preparation

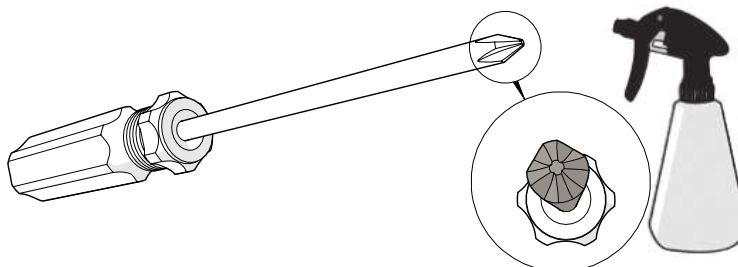
Before beginning assembly of product, make sure all parts are present. Compare parts with package contents list on previous page and hardware contents above. If any part is missing or damaged, do not attempt to assemble the product. Contact customer service for replacement parts.

Estimated Assembly Time: 50 minutes with 2 people.

CAUTION

THIS UNIT IS HEAVY. Two people required for safe assembly.

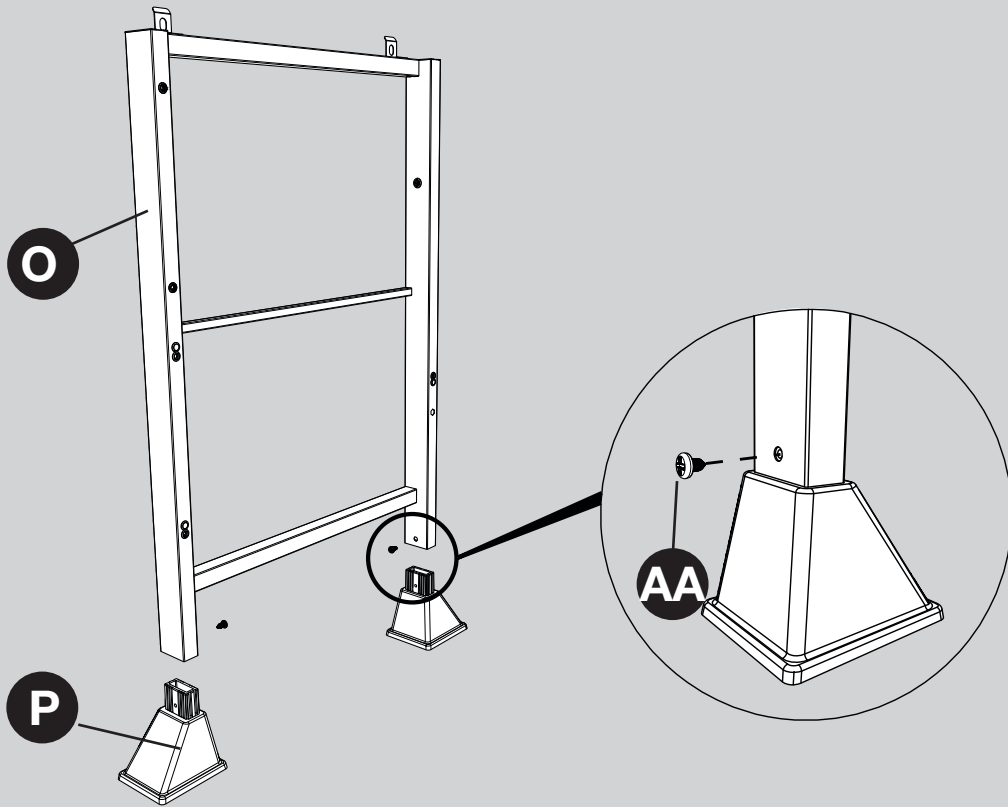
Two people required for safe assembly. Some parts may contain sharp edges. Wear protective gloves if necessary. Read and follow all safety statements, warnings, assembly instructions and use and care instructions before attempting to assemble and use.



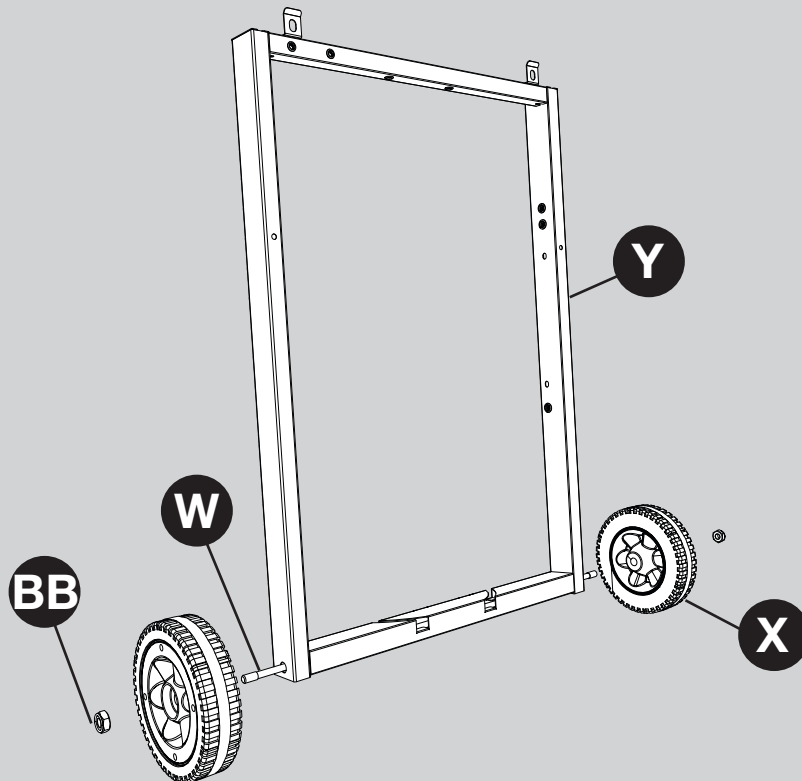
Tools Required for Assembly and Leak Testing (not included): Phillips screwdriver, Spray bottle

Assembly Instructions

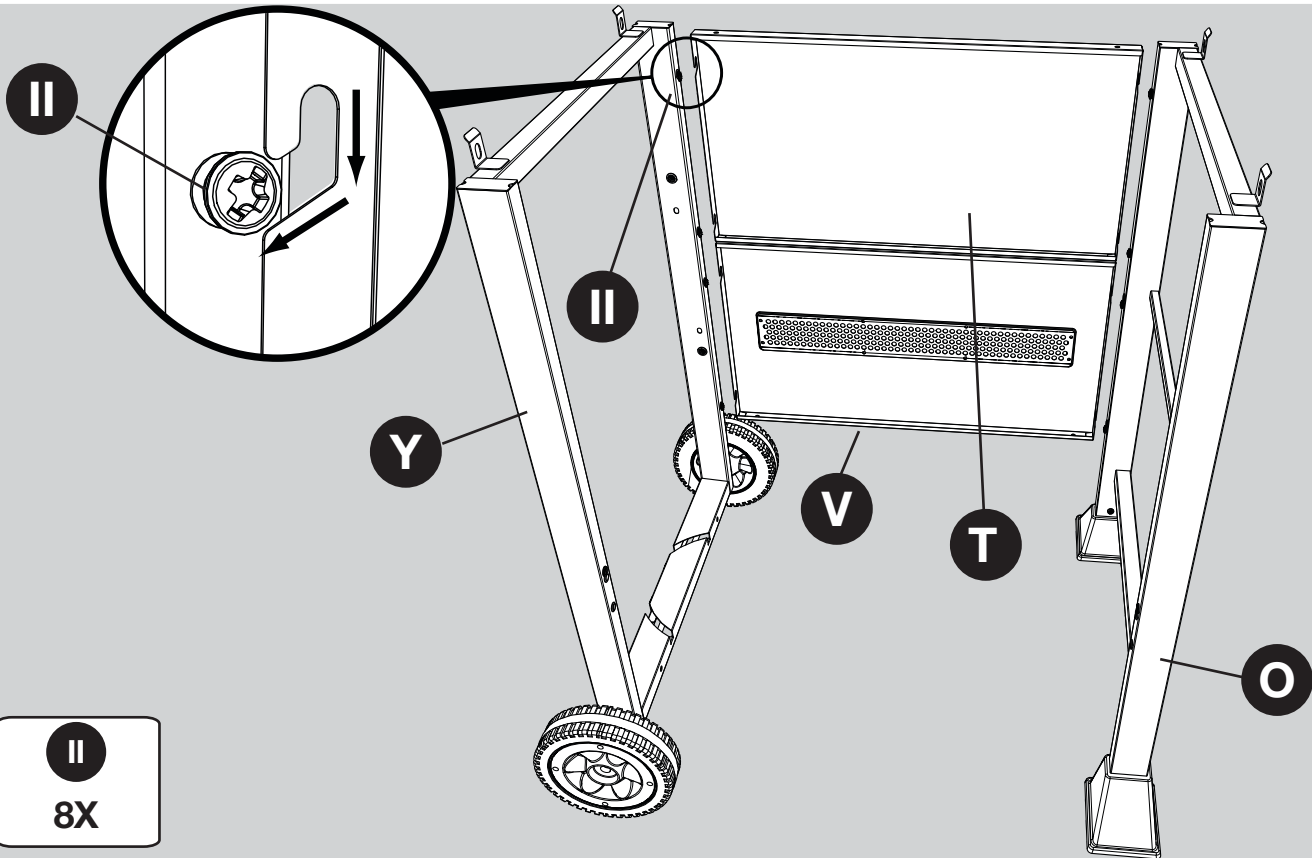
1 Assembly – Left Leg



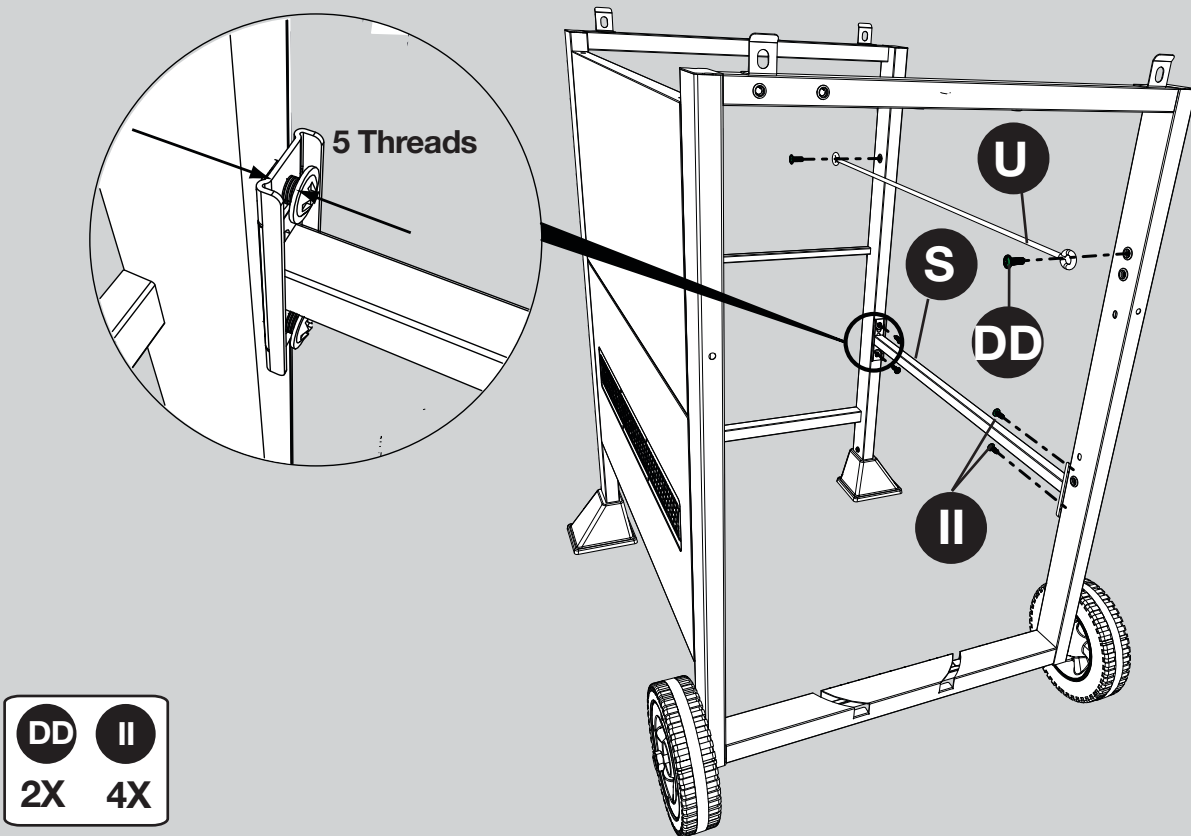
2 Assembly – Right Leg



3 Assembly – Cart Front Panels

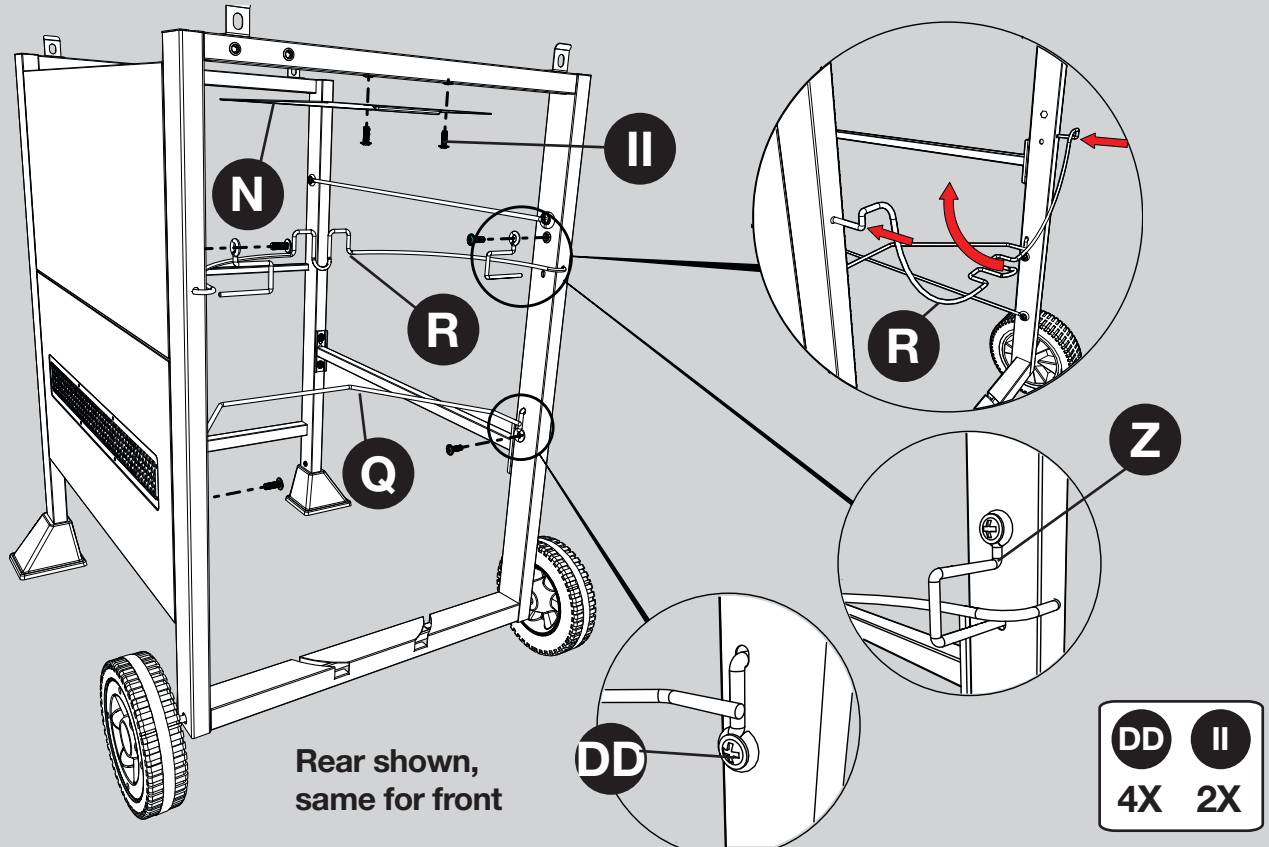


4 Assembly – Back Exclusion Bar and Cart Rear Support



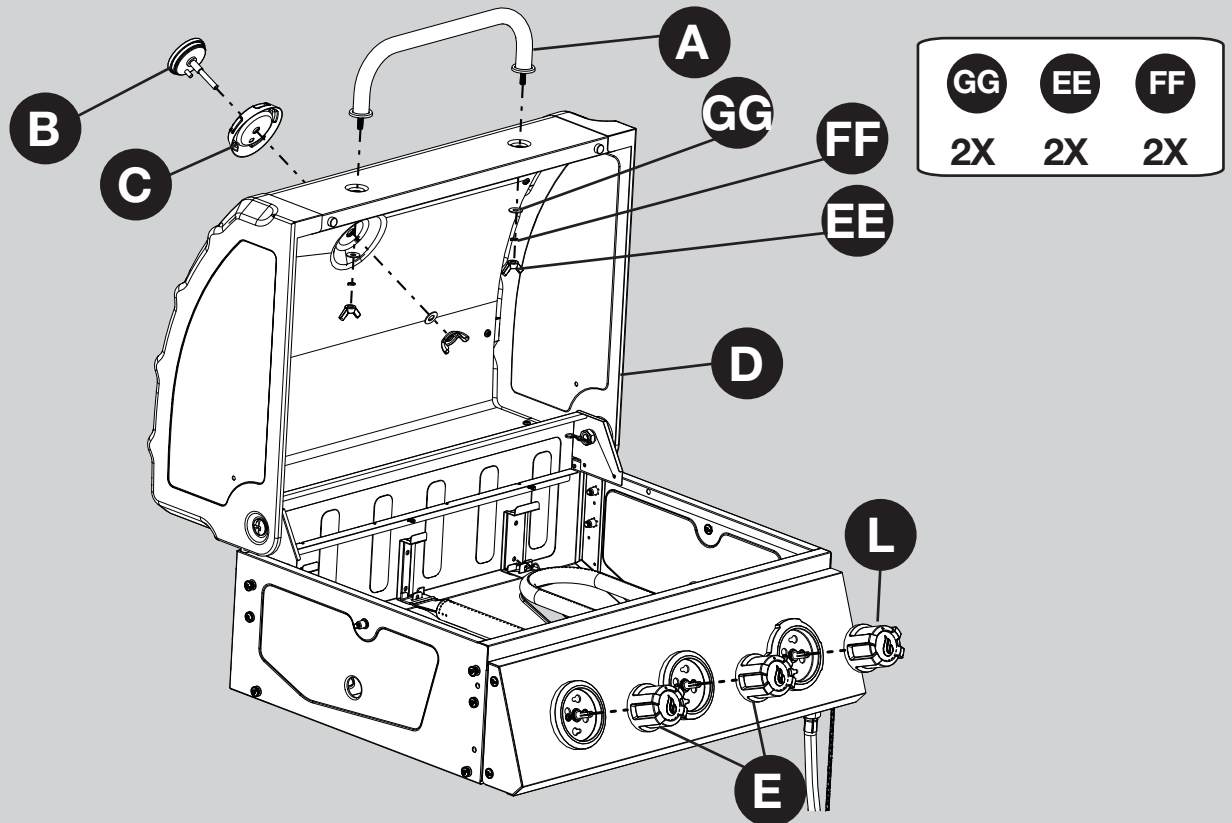
5

Assembly – Tank Brace and Side Exclusion Bar



6

Assembly – Handle, Knobs, and Temperature Gauge



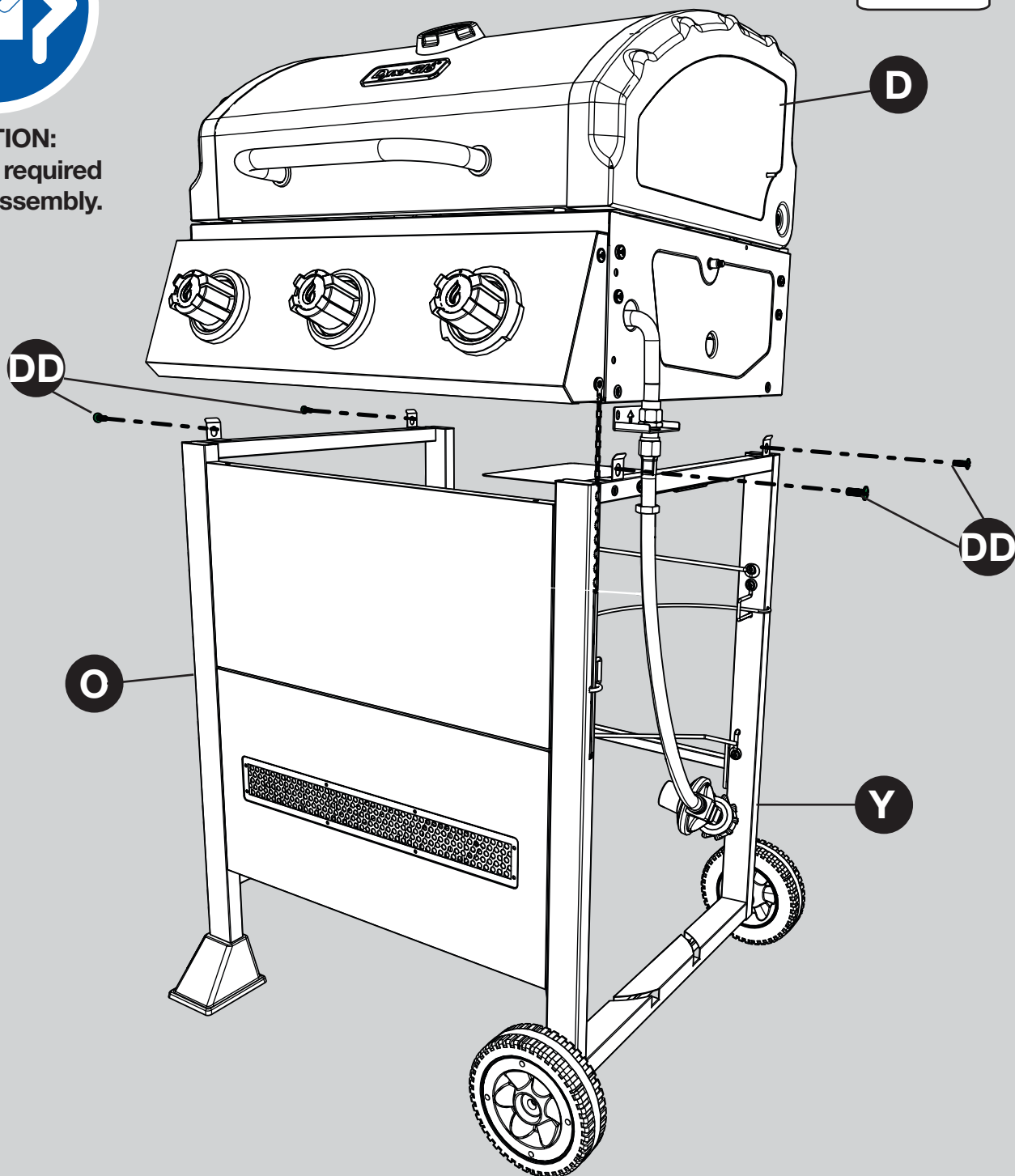
7

Assembly – Grill Body to Base



CAUTION:
2 people required
for safe assembly.

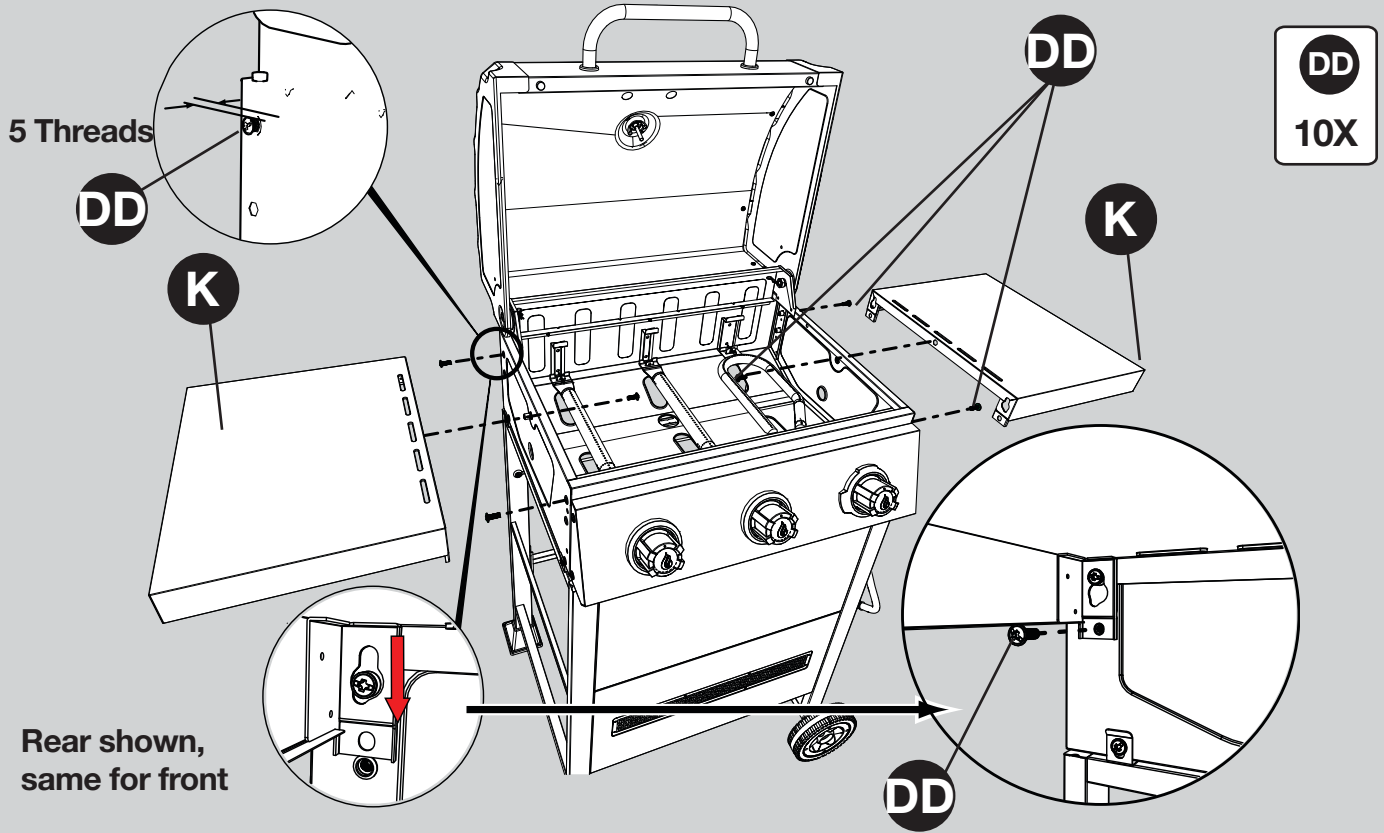
DD
4X



NOTE: Fully tighten all nuts from front panel and back brace screws at this time.

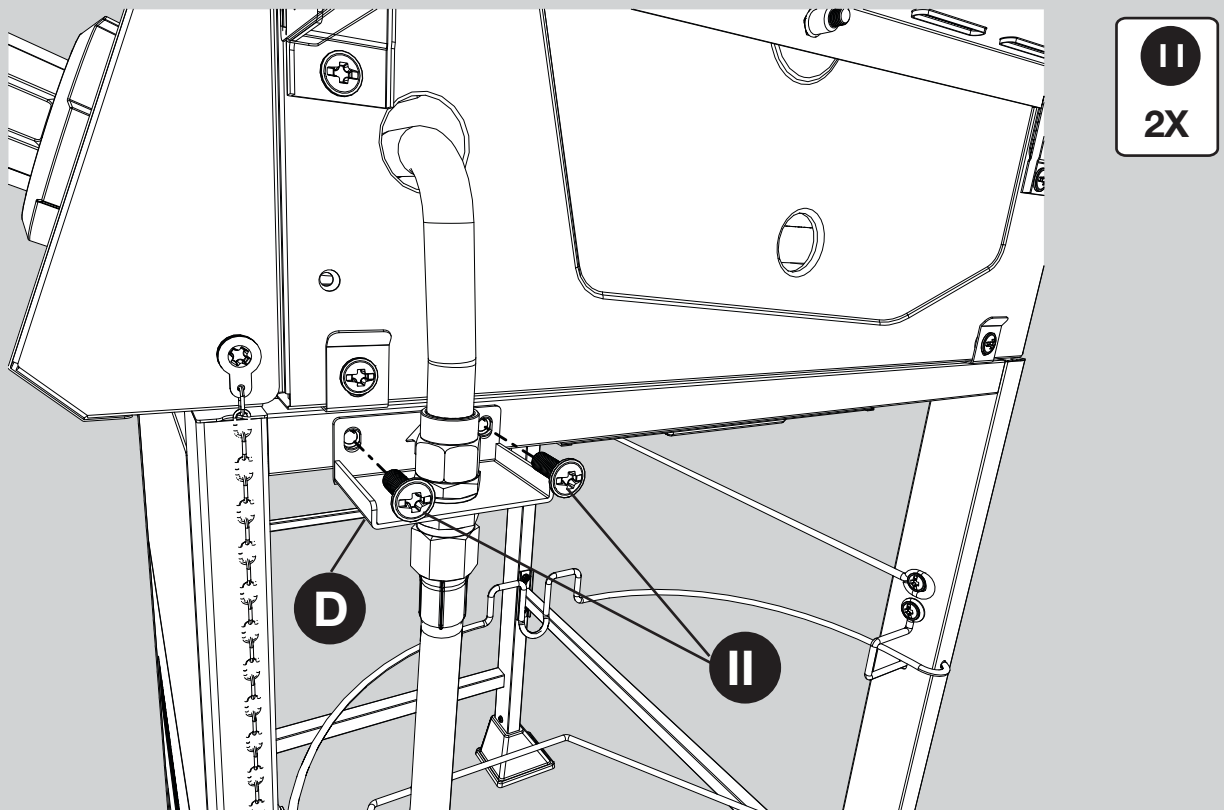
8

Assembly – Side Tables



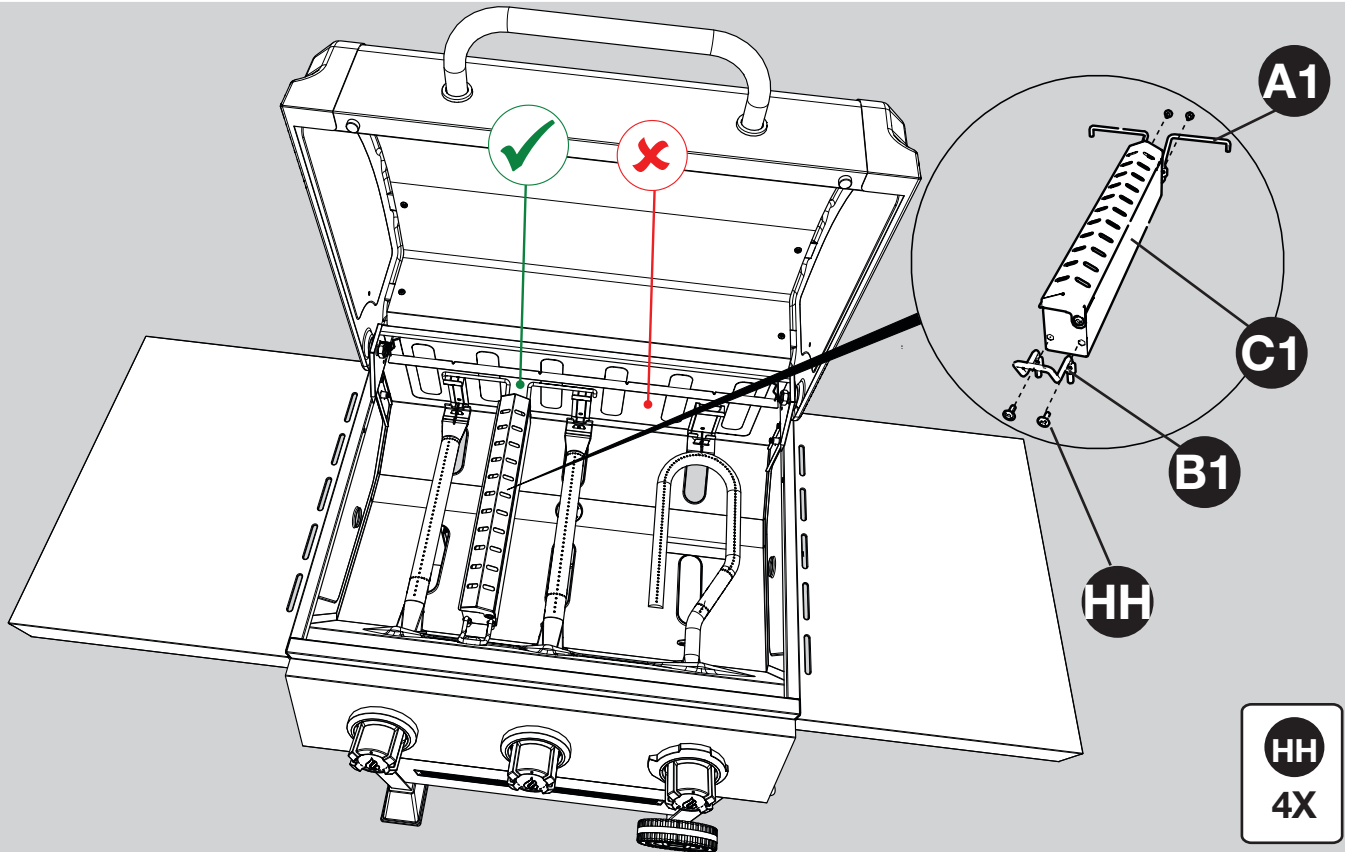
9

Assembly – Hose Fitting



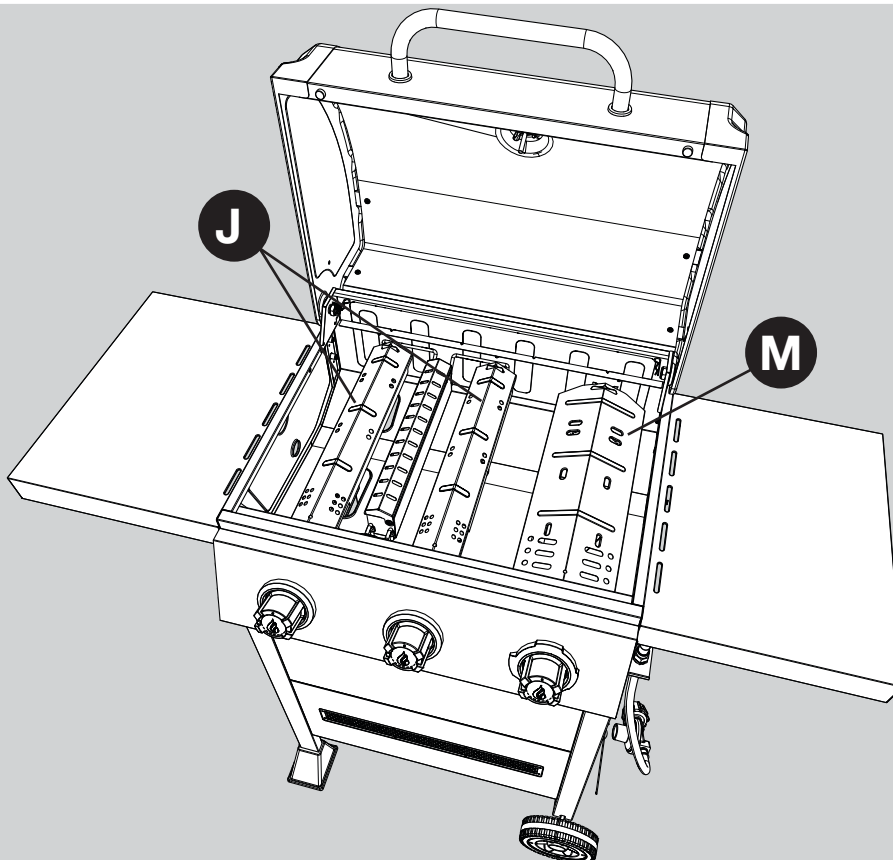
10

Assembly – Optional Smoker Box



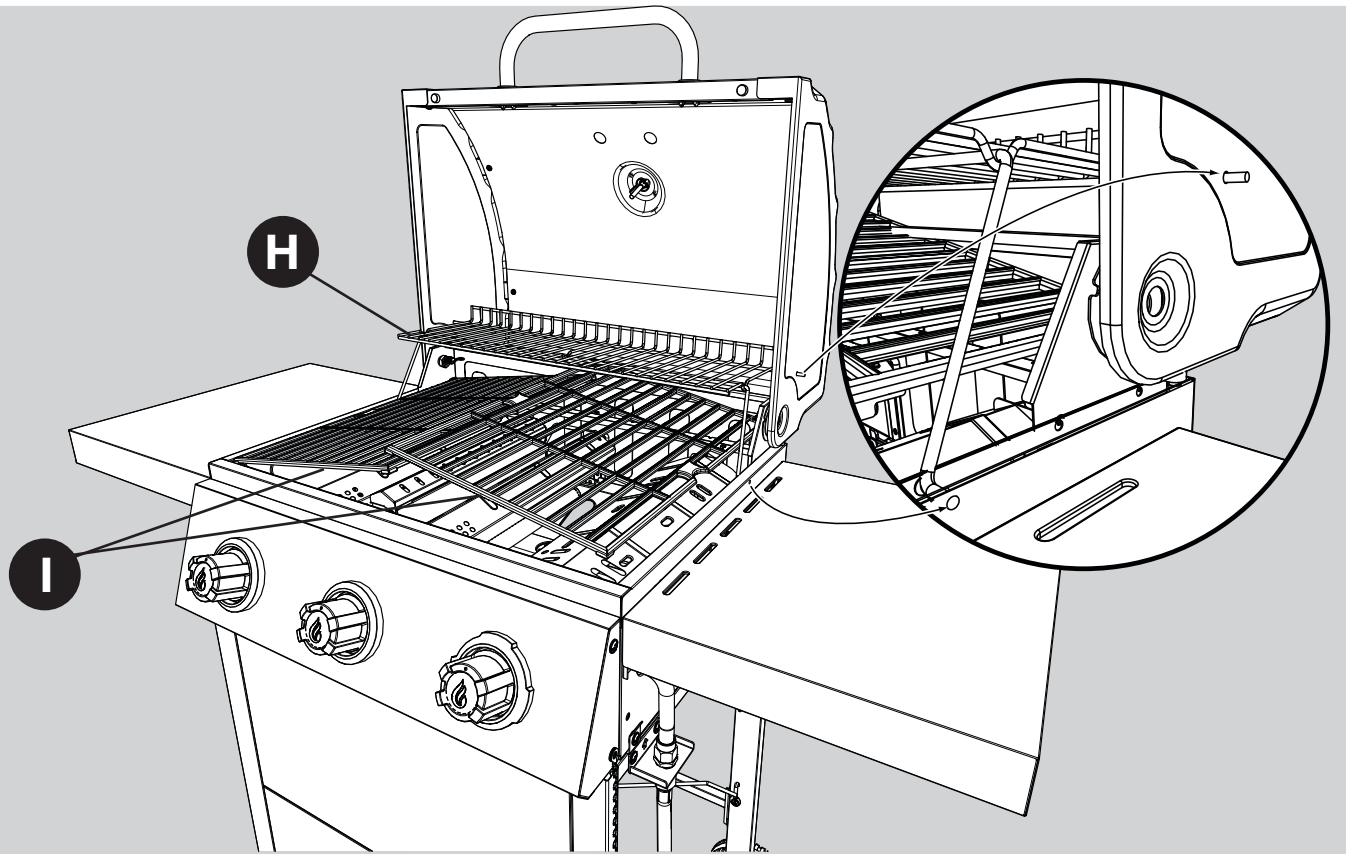
11

Assembly – Heat Tents



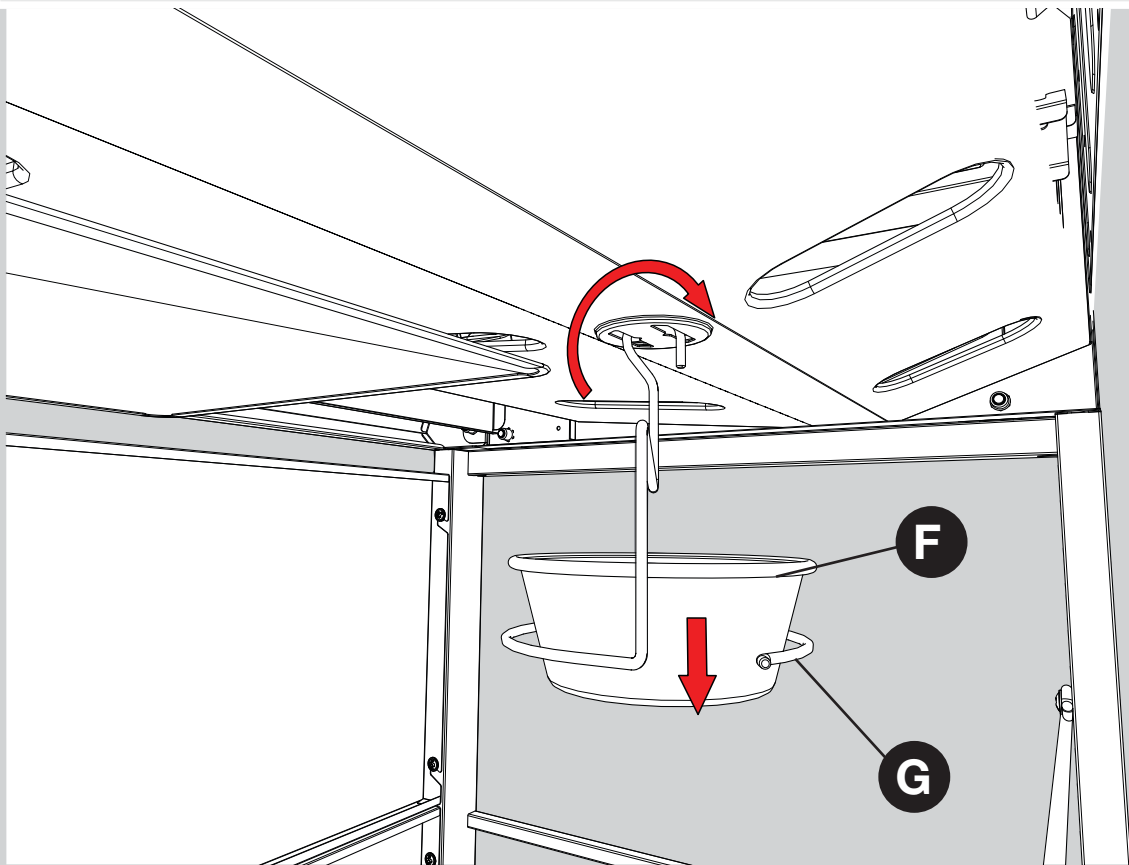
12

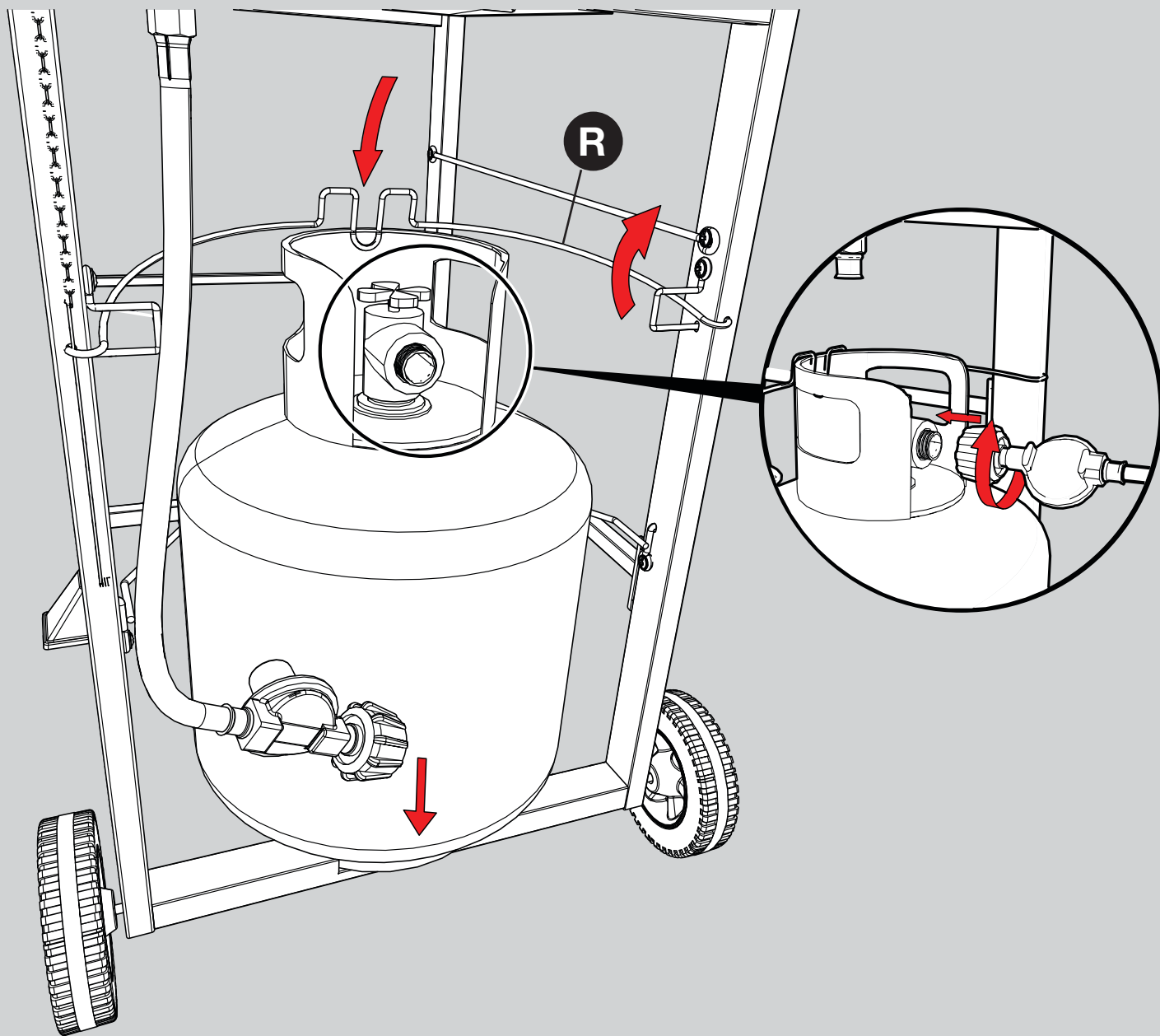
Assembly – Rack and Cooking Grates



13

Assembly – Grease Cup





Operation Instructions

CHECKING FOR LEAKS

After all connections are made, check all connections and fittings on the LP gas tank valve, gas hose and regulator for leaks with a water and soap solution.

To prevent fire or explosion while testing for a leak:

- Always perform leak test prior to lighting the grill.
- Do not smoke while testing for a leak.
- Always perform leak tests outdoors in a well-ventilated area.
- Do not use any source of flame while testing for leaks.
- Do not use the grill until any and all leaks are corrected.
- If you are unable to correct a leak, disconnect the propane supply and call a gas appliance service dealer.

PERFORM LEAK TEST

- Prepare leak test solution by 50/50 ratio of liquid dish soap and water. Total solution required is approximately 2 - 3 ounces (70 - 90 ml). Put leak test solution in a spray bottle.
- Ensure all control knobs are in the **OFF** position.
- Connect the gas hose to the gas supply.
- Open the LP gas tank valve.
- Spray leak test solution on all gas carrying connections and fittings. Presence of bubbles at areas of applied test solution indicates a gas leak. If leaks are detected or you smell or hear gas, shut off the gas supply valve immediately and repair or replace the defective part. Do not use the grill until all leaks are corrected.

⚠ CAUTION

Only use the regulator and hose assembly provided! If a replacement is necessary, please call our customer service center. Do not use replacement parts that are not intended for this grill.

⚠ WARNING

ALL INSTRUCTIONS AND SAFEGUARDS ON THIS PAGE MUST BE FOLLOWED TO PREVENT FIRE, DAMAGE AND/OR INJURY.

Operation Instructions

CONNECTING GAS CYLINDER

The propane gas supply cylinder to be used must be constructed and marked in accordance with the Specifications for LP Gas Cylinders of the U.S. Department of Transportation (D.O.T.) or the National Standard of Canada, CAN/CSA-B339, Cylinders, Spheres and Tubes for Transportation of Dangerous Goods; and Commission, as applicable; and provided with a listed overfilling prevention device.

Use only 20-pound cylinders (height: 18 inches, tank diameter: 12.2 inches, foot diameter: 8.03 inches) equipped with a cylinder connection device compatible with the connection for outdoor cooking appliances.

The cylinder must include a collar to protect the cylinder valve. The gas cylinder should not be dropped or handled roughly!

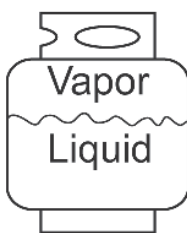
If the appliance is not in use, the gas cylinder must be disconnected. Storage of an appliance indoors is permissible ONLY if the cylinder is disconnected and removed from the appliance. Cylinders must be stored outdoors out of the reach of children and must not be stored in a building, garage or any other enclosed area. Your cylinder must never be stored where temperatures can reach over 125°F.

Place dust cap on cylinder valve outlet whenever the cylinder is not in use. Only install the type of dust cap on the cylinder valve outlet that is provided with the cylinder valve. Other types of caps or plugs may result in leakage of propane.

Before connection, be sure that there is no debris caught in the outlet of the gas cylinder, outlet of the regulator valve or in the outlet of the burner and burner ports. Connect regulator valve and hand-tighten firmly. Keep the propane cylinder valve closed and disconnect the propane cylinder from the regulator valve when the grill is not in use.

DO NOT obstruct the flow of combustion air and ventilation air to the grill. The propane cylinder must be arranged for vapor withdrawal and equipped with a listed overfilling prevention device. Please use the proper cylinder orientation to provide vapor withdrawal.

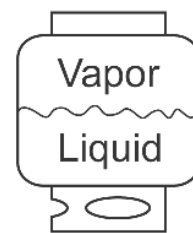
NOTE: The cylinder must be fully upright for the cylinder to have vapor withdrawal only.



Correct



Wrong



Wrong

⚠ CAUTION

- a. Do not store a spare LP-gas cylinder under or near this appliance.
- b. Never fill the cylinder beyond 80 percent full.
- c. If the information in (a) and (b) is not followed exactly, a fire causing death or serious injury may occur.



Operation Instructions



NOTE: Other cylinders may be acceptable for use with this appliance provided they are compatible with the appliance nesting hole and retention means. Refer to Step 16 of the Assembly Instructions for correct cylinder to cylinder holder connection.

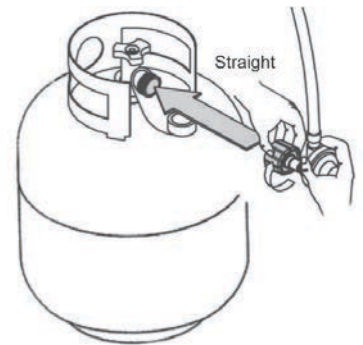
⚠ WARNING

ALL INSTRUCTIONS AND SAFEGUARDS ON THIS PAGE MUST BE FOLLOWED TO PREVENT FIRE, DAMAGE AND/OR INJURY.

CONNECTING THE LP TANK

1. The knob on the LP tank must be closed. Make sure that the knob is turned  clockwise to a full stop. The cylinder supply system must be arranged for vapor withdrawal.
2. Check that the control knob on the control unit is turned off.
3. Remove the protective cap from the LP tank valve and coupling nut.
4. Hold the regulator in one hand and insert the nipple into the valve outlet. Be sure the nipple is centered in the valve outlet. The coupling nut connects to the large outside threads on the valve outlet. Use care – do not cross thread the connection.
5. Hand-tighten the coupling nut  clockwise until it comes to a full stop. Firmly tighten by hand only. Do not use tools.

To Disconnect: Fully close the tank valve by turning  clockwise. Turn the coupling nut  counterclockwise until the regulator assembly detaches.



⚠ WARNING

In the connection process, make sure:

- the regulator inlet connector mates with the cylinder valve outlet properly, safely and firmly, and;
- the LP gas hose does not come in contact or remain in contact with the firebox.

Operation Instructions

Lighting The Grill

Before first use:

Remove all hangings or plastic straps, if present. Before you cook on your new gas grill, it is important to clean your grill with heat. To do this, operate the grill for approximately 15 minutes with the lid closed and the control knobs in the highest position. This will clean the internal parts by burning off any residue and odor from the manufacturing process.

⚠ CAUTION

If the flame extinguishes accidentally during ignition or operation, immediately **TURN OFF** the cylinder valve and then **TURN OFF** the control knob.

⚠ WARNING

Do not lean over grill when lighting. Read instructions before lighting.

1. Check that the control knobs are in the **OFF** position.
2. Open valve at tank fully by turning ↺ counter-clockwise.
3. Open lid during lighting.
4. Depress and turn control knob counterclockwise ↺ from **OFF** position, past the ⚡ ignite position, to the 🔥 high position for the main burners and 🔥 for the SearPLUS™ burner. You may need to repeat several times to ignite the burner.

If ignition does not occur in 5 seconds, turn the control knobs to **OFF** position, wait 5 minutes, and repeat the lighting procedure.

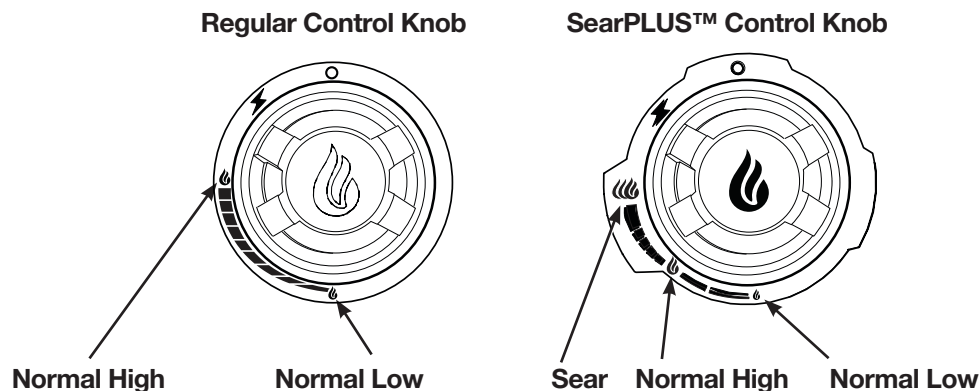
If the burner still does not light, check that there is gas in the cylinder and follow the match lighting instructions on the following page.

Cooking:

After lighting, adjust burner, including SearPLUS™ burner, from high (🔥) to low (🔥) position for desired cooking temperature.

Searing Food with the SearPLUS™ Burner:

To sear food, use the SearPLUS™ burner with the red control knob, which has a higher temperature range than the other burners. After lighting, adjust SearPLUS™ burner control knob to Sear Position (🔥) and place food to be seared on the sear grate directly over the SearPLUS™ burner.



Operation Instructions

LIGHTING THE GRILL WITH A MATCH

1. Open the lid.
2. Insert a match in the end of the match holder that is installed on the inside of the cabinet door.
3. Light the match.
4. Immediately place the lit match through the spaces in the grill grates near the ports of the burner between the heat tents as shown. Make sure the lit match is close to the burner ports.
5. Press in the control knob that operates the burner and rotate ↺ counter-clockwise to the 🔥 high position for the main burners, and 🔥 for the SearPLUS™ burner which should light immediately.
6. Repeat steps 2~5 to light additional burners.
7. Adjust burners to desired cooking settings.

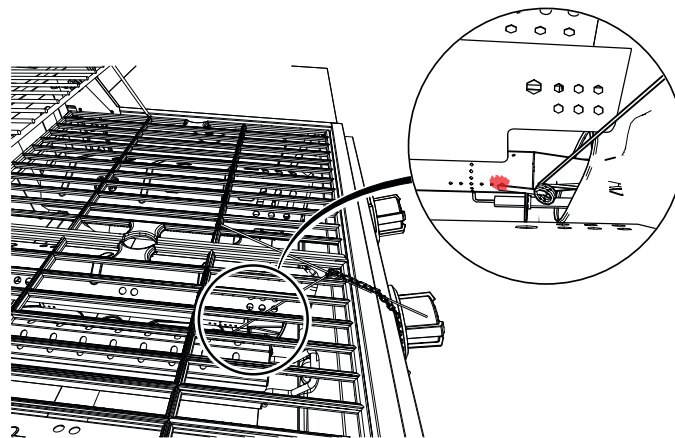
⚠ CAUTION

Make sure all burner controls are off except for the burner being lit and the burners that have been lit.

⚠ WARNING

If ignition does not occur in 5 seconds, turn the burner control(s) OFF ○ . Wait 5 minutes, and repeat the lighting procedure.

Match Lighting



SHUTDOWN INSTRUCTIONS

1. Turn all control knobs ↻ clockwise to the ○ OFF position.
2. Close valve at tank fully by turning ↻ clockwise.
3. Close lid.

Turn off LP supply at cylinder when appliance is not in use.

Care and Maintenance

Cooking Grates

The best time to “burn-off” the cooking grates is after every use (approx. 15 minutes). The grill is already hot from cooking, thus requiring less fuel to reach the necessary temperature for “burn-off.”

To “burn off” or heat-clean your grill, turn the burners to highest position and run for 15 minutes with the lid closed. Then turn off the burners and use a wire brush to clean excess food residue from the grates.

The porcelain grates have an enamel finish (similar to glass) and should be handled with care to help prevent chipping.

⚠ CAUTION

Ensure the grill is cool and gas supply is turned off at the LP-Gas Cylinder before cleaning and conducting maintenance.

Recommended Cleaning Supplies

Mild liquid dish soap, warm water, nylon cleaning pad, wire brush

DO NOT use cleaners that contain acid, mineral spirits or any abrasive substance.

Outside Surfaces

It is recommended to use only mild dish soap and hot water to clean grill and grill parts.

Rinse with warm water.

Inside Bottom Pan of Grill Body

To avoid flare-ups, clean the bottom pan of the cooking box regularly.

To clean, remove residue using a brush, scraper and/or cleaning pad. Wash with mild dish soap and warm water. Rinse with warm water. Avoid water splashing into venturi tubes of burners.

Heat Tents

Clean residue with wire brush and wash with mild dish soap and warm water. Rinse with warm water.

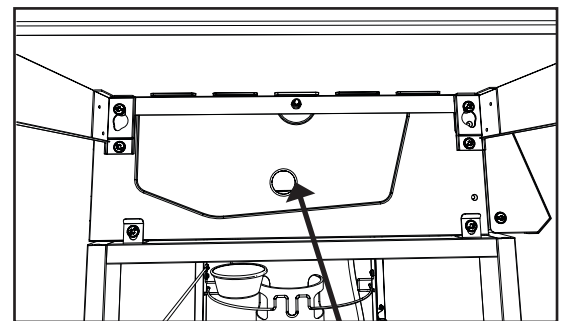
Grease Cup

Empty the grease cup and clean with mild dish soap and warm water on a regular basis.

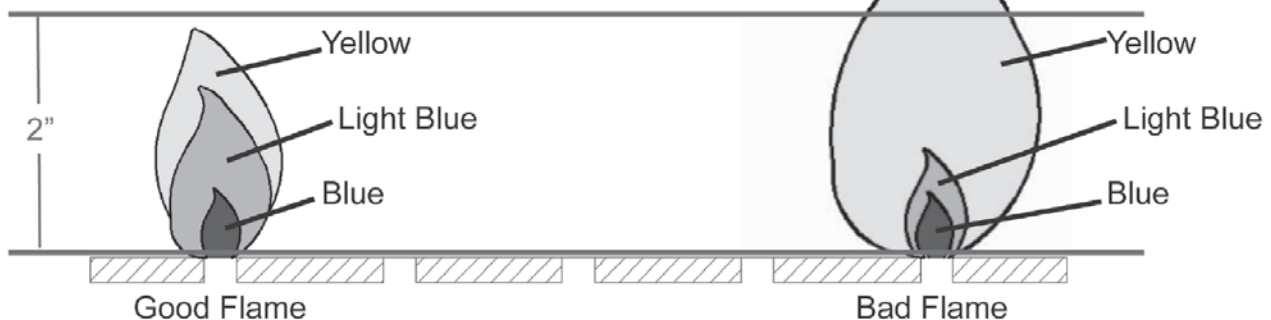
Checking The Flame

For maximum fuel efficiency and cooking performance, flame should be a blue-yellow color and be between 1- 2 inches high.

To check the flame, view the flame through the holes in both sides of the firebox.



Hole for viewing the flame



Care and Maintenance

Burner Assembly

Removing The Burner Assembly

1. Make sure all control knobs are in the OFF position, gas supply valve is closed, and the gas hose is disconnected from the gas supply.
2. Open lid and remove warming rack, cooking grates, heat tents, and smoker box assembly.
3. Remove hinge pin as shown in Figure 1.
4. Slide main burners and SearPLUS™ burner out of firebox.
5. Detach ignition wire from electrode in Figure 2.

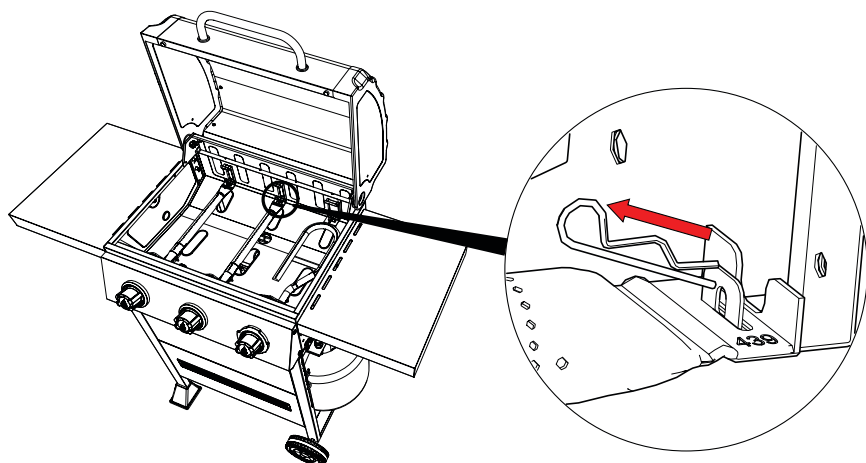
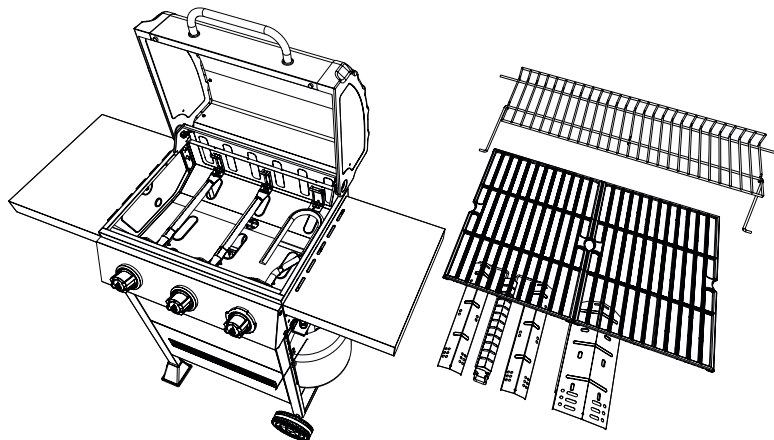


Figure 1

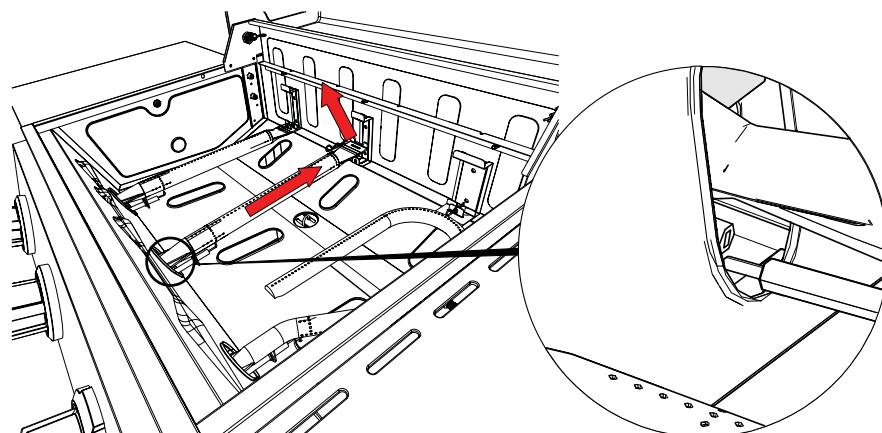


Figure 2

Care and Maintenance

⚠ WARNING

If these instructions are not followed, a fire or explosion may result, possibly causing serious bodily injury or death.

Cleaning the Burner Assembly

– Make sure the grill is cool.

1. Ensure all burner ports are clear of clogs. Use of a pin or paper clip works well.
2. Ensure burner is free of any damage. If damage is found, replace with new burner.
3. Ensure the end of the burner and primary air screen are clear from insect nests, dirt or debris.

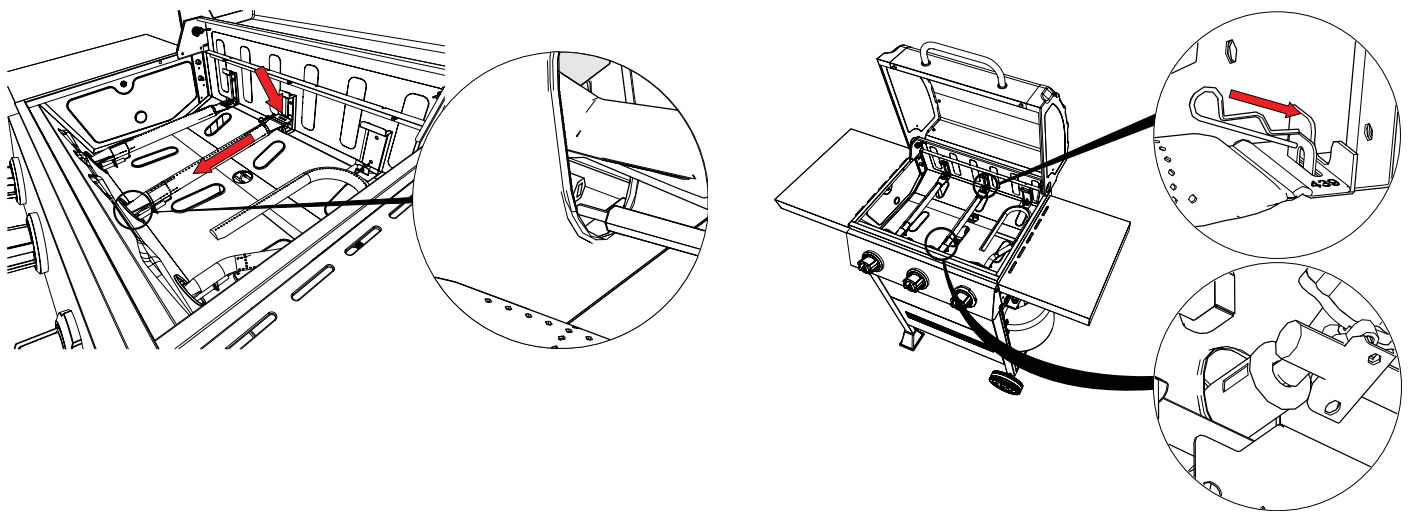
Re-installing the Burner

Ensure that gas valve orifices are correctly positioned inside burner inlet (venturi).

The use of a flashlight may be necessary to ensure the correct position.

View the correct position through the firebox vent holes as illustrated below.

Reattach each burner with the hinge pin and reattach the ignition wire to electrode.



Other Care and Maintenance

It is recommended that inspection and service on this appliance be conducted annually by a qualified service person.

It is recommended that you always check that the outdoor cooking appliance area is clear and free from combustible material, gasoline and other flammable vapors and liquids before lighting.

It is recommended that you regularly check that the flow of combustion and ventilation air is not obstructed.

It is recommended that you regularly check that the ventilation openings of the grill cabinet are free and clear from debris.

It is recommended that you regularly check and clean the burner/venturi tubes for insects and insect nests. A clogged tube can lead to a fire beneath the grill.

Troubleshooting

If you have any questions regarding the product, please call customer service at 1-877-447-4768, 8:00 a.m. – 4:30 p.m., CST, Monday – Friday.

PROBLEM	POSSIBLE CAUSE	CORRECTIVE ACTION
The burner will not light using the igniter procedure (weak or no spark being generated).	<ol style="list-style-type: none"> 1. The igniter electrode may be covered with grease or residue. 1. The igniter electrode may have a loose or disconnected wire. 2. Cracked or broken ignition electrode. 	<ol style="list-style-type: none"> 1. Clean the igniter electrode. 2. Check the connection and reconnect any loose or disconnected wires. 3. Replace ignition electrode (see Replacement Parts List).
Low Heat.	<ol style="list-style-type: none"> 1. Insufficient gas pressure to the unit. 	<ol style="list-style-type: none"> 1. Call a qualified service agency to check the gas supply pressure and correct the pressure.
Excessive Flare Ups.	<ol style="list-style-type: none"> 1. Grease and/or residue build-up on heat tents or in firebox. 2. Excessive dripping of fat or marinade from food. 3. Cooking temperature too high 	<ol style="list-style-type: none"> 1. Clean the grill components. 2. Trim the fat from meat and use non-oil based marinades. 3. Lower temperature accordingly.
The burner will not light with a match.	<ol style="list-style-type: none"> 1. Match not reaching burners (when holding match with hand). 2. Empty tank. 3. Poor connection between valve regulator and LP cylinder coupling. 4. Burner inlet blocked. 	<ol style="list-style-type: none"> 1. Use match holder found in cabinet door. 2. Check fuel level and refill tank if necessary. 3. Turn off grill knobs, close the LP cylinder valve at top of cylinder and check the connection between the regulator valve and cylinder coupling. Disconnect and reconnect, if necessary. 4. Clean the burner inlet (venturi) and burner as described by the Care and Maintenance section in the manual.
No gas flow or an obstructed gas flow.	<ol style="list-style-type: none"> 1. Tank valve not on or fully opened. 2. Empty tank. 3. Poor connection between valve regulator and LP cylinder coupling. Burner inlet blocked. 	<ol style="list-style-type: none"> 1. Fully open tank valve by turning counterclockwise. 2. Check fuel level and replace fuel if necessary. 3. Turn off grill knobs, close the LP cylinder valve at top of cylinder and check the connection between the regulator valve and cylinder coupling. Disconnect and reconnect, if necessary. 4. Clean the burner inlet (venturi) and burner as described by the Care and Maintenance section in the manual.

Limited Warranty

1-Year Limited Warranty

This LP gas grill is warranted for 1 year (5 years on the Stainless Steel burners) against broken or damaged parts at the time of purchase. It is warranted to be free of defects. Paint is warranted to be free of defects except for rust, which may appear after repeated use.

This warranty does not cover damage or issues related to neglect, abuse, or modifications to the appliance. Repair labor is not covered.

All parts that meet the warranty requirements will be shipped at no charge via the discretion of the manufacturer (ground shipments, US Mail, or Parcel Post ONLY). Any special handling charges (i.e. Second Day, overnight, etc.) will be the responsibility of the consumer.

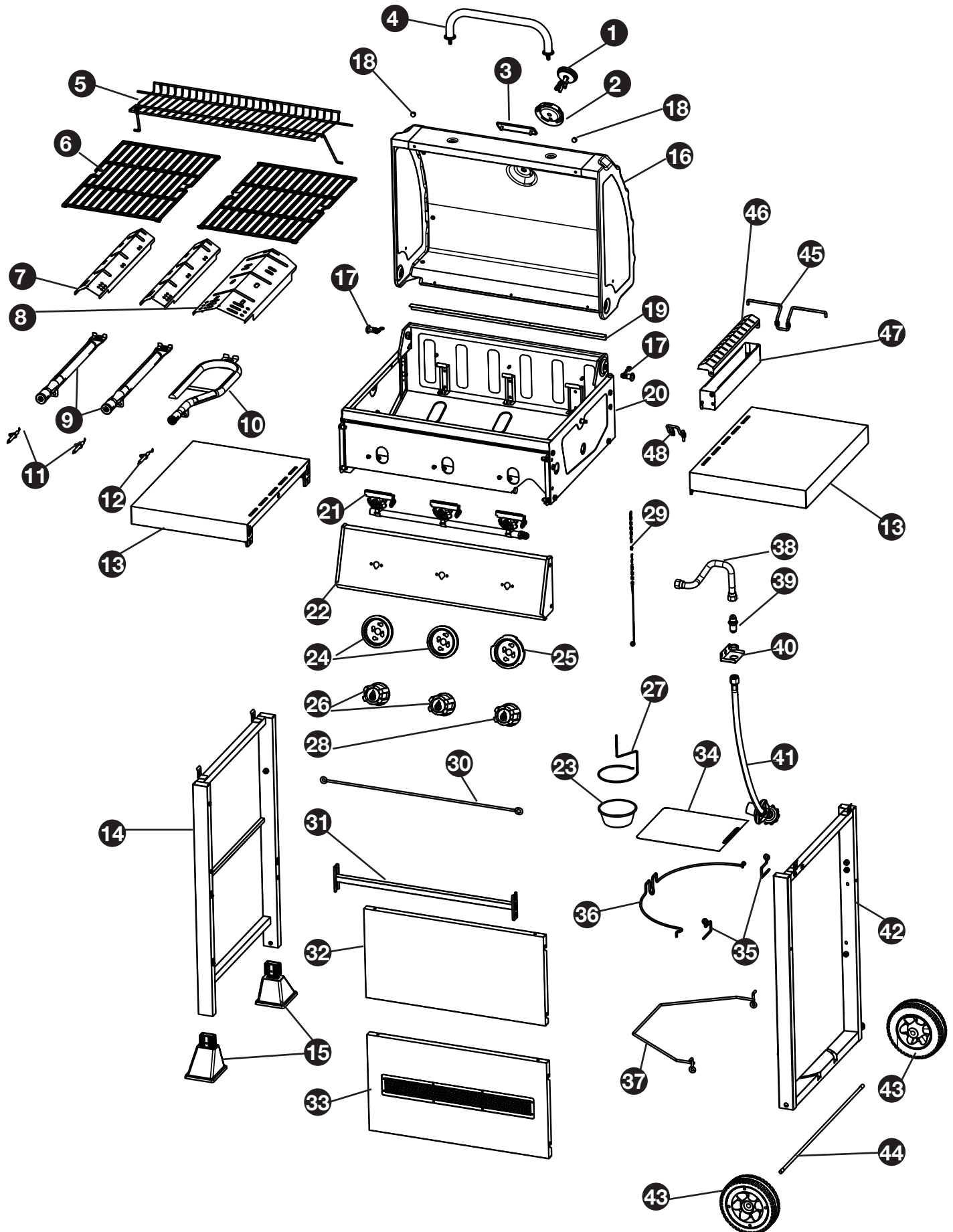
All warranty claims apply only to the original purchaser and require a proof of purchase verifying purchase date. Do not return parts without first obtaining a return authorization number from our customer service. This service is available by calling toll free 1-877-447-4768, 8:00 a.m. – 4:30 p.m., CST, Monday – Friday.

NOTICE: Some states do not allow the exclusion or limitation of incidental or consequential damages or limitations on how long an implied warranty lasts, so the above limitations or exclusions may not apply to you. This warranty gives you specific legal rights and you may also have other legal rights which may vary from state to state.

GHP Group Inc.
6440 W. Howard Street
Niles, IL, USA
60714-3302

Item Name: 3-Burner LP Gas Grill With SearPLUS™ Burner
Model #: DGH353CRP/DGH353CRP-D
Main burner total rated BTU: 20,000 BTU/Hr
SearPLUS™ burner rated BTU: 15,000 BTU/Hr

Replacement Parts List



Replacement Parts List

For replacement parts, call our customer service department at 1-877-447-4768, 8:00 a.m. – 4:30 p.m., CST, Monday – Friday.

Part	Description	Part #
1	Temperature gauge assembly	70-02-264
2	Temperature gauge bezel	70-01-906
3	Badge	70-10-540
4	Lid handle welding	70-02-157
5	Warming rack	70-01-633
6	Cooking grate	70-01-634
7	Heat tent for main burner	70-02-158
8	Heat tent for SearPLUSTM burner	70-02-159
9	Main burner with cotter pin	70-02-582
10	SearPLUSTM burner with cotter pin	70-02-062
11	Main burner sparker	70-01-283
12	SearPLUSTM burner sparker	70-02-063
13	Side table	70-02-160
14	Left leg assembly	70-02-161
15	Leg end cap	70-02-584
16	Lid assembly	70-02-162
17	Lid pivot pin-with cotter pin	70-01-641
18	Lid Bumper	70-01-176
19	Cooking grate bracket	70-01-642
20	Firebox assembly with heat shield	70-02-163
21	Main valves and manifold assembly	70-02-164
22	Main control panel assembly	70-02-165
23	Grease cup	70-01-650
24	Control knob bezel for main burner	70-01-920
25	SearPLUSTM control knob bezel	70-02-418
26	Control knob for main burner	70-01-921
27	Grease cup holder	70-01-651
28	Control knob for SearPLUSTM burner	70-01-923
29	Match holder with chain	70-01-204
30	Cylinder exclusion	70-02-555
31	Cart rear support	70-02-166
32	Cart front panel-upper	70-02-549
33	Cart front panel-Lower	70-02-167
34	Cylinder heat shield	70-02-168
35	Tank retention fixed wire	70-02-541
36	Tank brace	70-02-433
37	Side exclusion bar	70-02-435

REPLACEMENT PARTS LIST – CONTINUED

38	Corrugated hose assembly	70-01-645
39	Connector	70-02-110
40	Connector fixing plate	70-02-268
41	Regulator and Hose Assembly	70-01-647
42	Right leg assembly	70-02-169
43	Wheel	70-01-659
44	Axle	70-01-658
45	Smoker box rear support with hardware	70-02-086
46	Smoker box lid with hardware	70-01-929
47	Smoker box body with hardware	70-01-930
48	Smoker box front support with hardware	70-02-085
n/a	Hardware pack	70-09-578

Dyna-Glo®

GRIL À GAZ LP 3 BRÛLEURS AVEC BRÛLEUR SEARPLUS™

Model #DGH353CRP/DGH353CRP-D

English p. 1

Español p. 57



AVANT DE COMMENCER



Scannez pour
des instructions
faciles en 3D



**Des questions, des problèmes, des
pièces manquantes?**

Avant de retourner l'article au détaillant,
appelez notre service à la clientèle au
1-877-447-4768, 08:00-16 heures 30,
HNC, du lundi - vendredi ou par e-mail à
CustomerService@ghpgroupinc.com

Table Des Matières

Consignes de Sécurité	31
Contenu de l'emballage.....	33
Quincaillerie Incluse	34
Préparation.....	34
Instructions pour l' Assemblage	35
Mode d'emploi	43
Entretien	48
Dépannage	51
Garantie Limitée	52
Liste des pièces de rechange.....	53

Assembleur ou installateur : Le présent manuel contient des renseignements importants qui permettent d'assembler l'appareil de façon adéquate et de l'utiliser en toute sécurité. Avant d'assembler et d'utiliser cet appareil, lisez et suivez tous les avertissements ainsi que toutes les instructions.

Remettez ces instructions au consommateur.

Veillez conserver les présentes instructions aux fins de consultation ultérieure.



Consommateur ou utilisateur : Lorsque vous utilisez cet appareil, suivez tous les avertissements et toutes les instructions.



DANGER

S'il y a une odeur de gaz:

1. Coupez l'admission de gaz de l'appareil.
2. Éteindre toute flamme nue.
3. Ouvrir le couvercle.
4. Si l'odeur persiste, éloignez-vous de l'appareil et appelez immédiatement le fournisseur de gaz ou le service d'incendie.



AVERTISSEMENT

1. Ne pas entreposer ni utiliser de l'essence ni d'autres vapeurs ou liquides inflammables dans le voisinage de l'appareil, ni de tout autre appareil.
2. Une bouteille de propane qui n'est pas raccordée en vue de son utilisation, ne doit pas être entreposée dans le voisinage de cet appareil ou de tout autre appareil.
3. Ce barbecue est conçu pour usage à l'extérieur seulement. Ne pas utiliser ni entreposer la bouteille dans un bâtiment, un garage, un auvent ou un endroit fermé.
4. Ne laissez pas un barbecue allumé sans surveillance. Gardez le barbecue hors de la portée des enfants et des animaux en tout temps.



Consignes de Sécurité

Assurez-vous de lire et de comprendre l'intégralité de ce manuel avant de tenter d'assembler, d'utiliser ou d'installer le produit. Si vous avez des questions concernant ce produit, veuillez téléphoner au service à la clientèle au 1-877-447-4768, 08:00-16 heures 30, HNC, du lundi - vendredi.

DANGER

- N'utilisez pas le barbecue dans un endroit présentant un risque d'explosion. Assurez-vous que l'espace autour du barbecue est propre et exempt de matériaux combustibles, d'essence et d'autres vapeurs ou liquides inflammables.



AVERTISSEMENT : LES COMBUSTIBLES UTILISÉS DANS LES APPAREILS FONCTIONNANT AU GAZ PROPANE LIQUÉFIÉ ET LES PRODUITS DE LEUR COMBUSTION PEUVENT VOUS EXPOSER À DES SUBSTANCES CHIMIQUES COMME LE BENZÈNE, RECONNU DANS L'ÉTAT DE LA CALIFORNIE COMME CAUSANT LE CANCER ET DES ANOMALIES CONGÉNITALES OU D'AUTRES PROBLÈMES DE REPRODUCTION.
Pour plus de renseignements, visitez le : www.P65Warnings.ca.gov.

MISE EN GARDE

- N'utilisez jamais de gaz d'allumage pour charbon de bois ou d'essence à briquet avec ce barbecue.
- N'utilisez pas d'essence, de kérosène ni d'alcool pour l'allumage.
- La bouteille de propane liquéfié utilisée avec cet appareil doit être :
 - (a) fabriquée et identifiée conformément aux normes du Specifications for LP-Gas Cylinders of the U.S. Department of Transportation (D.O.T.) or the National Standard of Canada, CAN/CSA-B339, Cylinders, Spheres and Tubes for Transportation of Dangerous Goods; and Commission, s'il y a lieu;
 - (b) munie d'un dispositif reconnu de prévention des trop-pleins;
 - (c) dotée d'un dispositif de raccord de bouteille compatible avec le raccord des appareils de cuisson à l'extérieur. Ce barbecue n'est pas destiné à être utilisé ou installé sur un véhicule récréatif ou un bateau.
- Ne laissez jamais une bouteille pleine dans une voiture exposée à la chaleur ou dans un coffre de voiture. La chaleur entraînera une augmentation de la pression du gaz, ce qui risque de faire ouvrir la soupape de sécurité et de laisser le gaz s'échapper.
- Ouvrez toujours le couvercle du barbecue lentement et avec précaution, car la chaleur et la vapeur emprisonnées qui s'en échappent peuvent causer des brûlures graves.

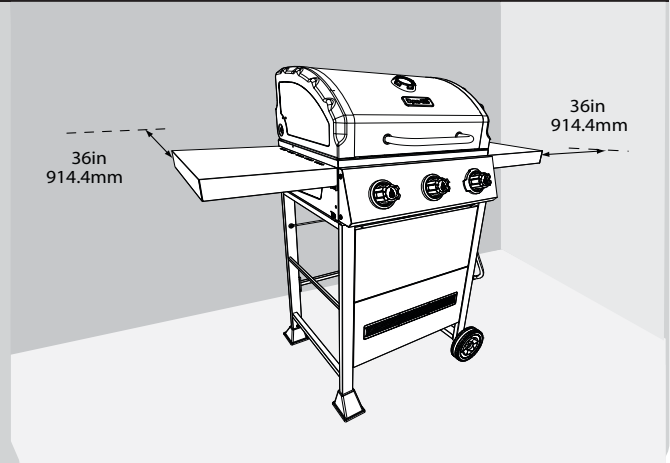


Consignes de Sécurité

AVERTISSEMENT

- Ne pas utiliser cet appareil sous une surface combustible ou un auvent. Dégagement minimal entre les parois latérales et l'arrière de l'appareil et la construction combustible (914,4 mm (36 po) à partir des parois latérales et 914,4 mm (36 po) à partir de l'arrière).

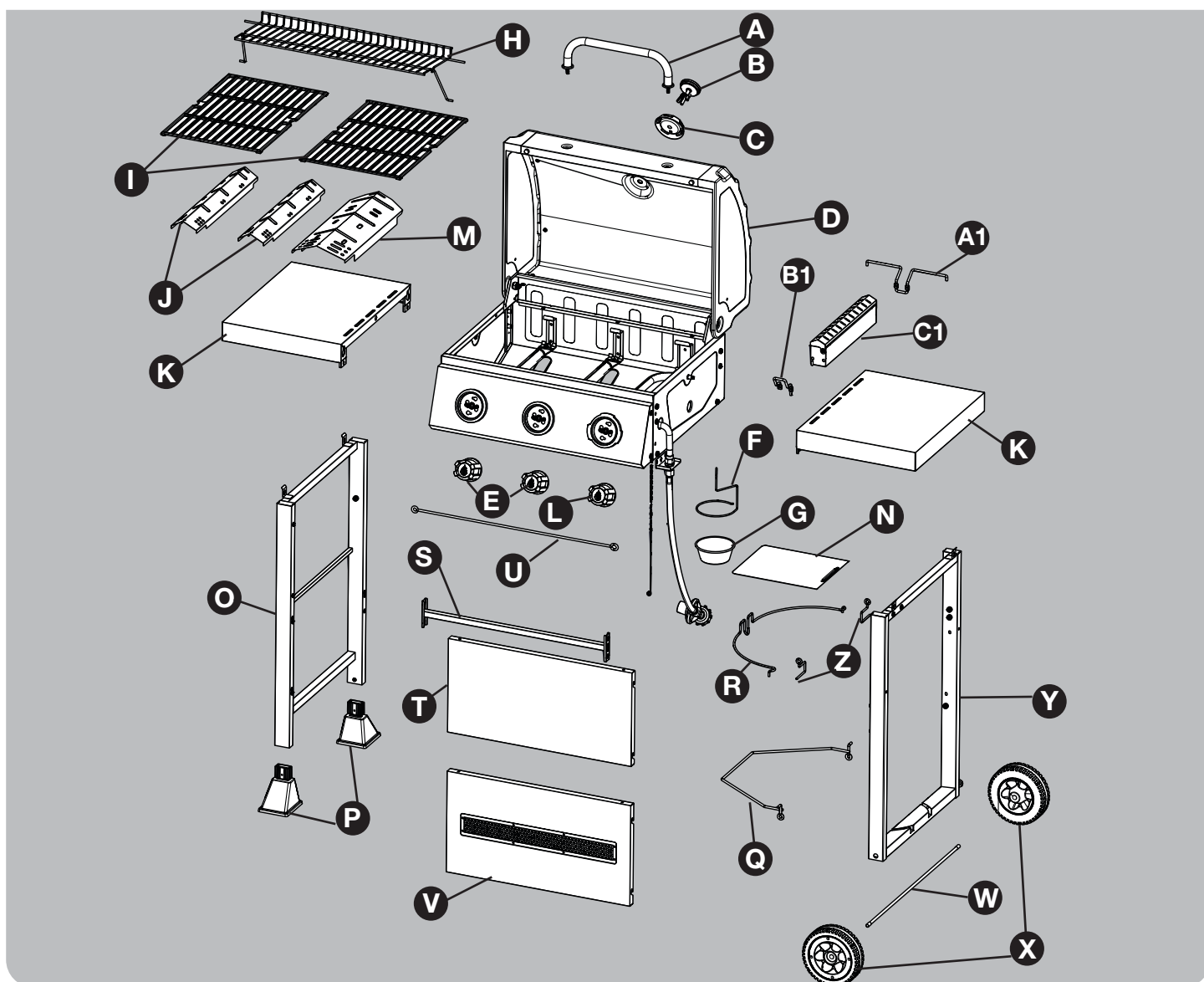
REMARQUE : L'installation doit être effectuée conformément à la réglementation locale ou, en l'absence d'une telle réglementation, au National Fuel Gas Code, ANSI Z223.1/NFPA 54, Natural Gas and Propane Installation Code, CSA B149.1, ou au Propane Storage and Handling Code, B149.2.



MISE EN GARDE

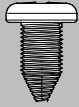
- Ne pas entreposer ni utiliser de l'essence ni d'autres vapeurs ou liquides inflammables dans le voisinage de l'appareil, ni de tout autre appareil. Ne rangez aucun produit inflammable dans le chariot du barbecue.
- Une bouteille de propane qui n'est pas raccordée en vue de son utilisation, ne doit pas être entreposée dans le voisinage de cet appareil ou de tout autre appareil.
- Ce barbecue est conçu pour être alimenté par du gaz naturel seulement.
- Ne tentez jamais de raccorder ce barbecue au système autonome d'alimentation en gaz propane d'un bateau d'une caravane, d'une autocaravane ou d'une résidence.
- Ne tentez jamais de déplacer le barbecue lorsqu'il est allumé ou toujours chaud. Verrouillez toujours les roulettes avec frein lorsque vous ne déplacez pas le barbecue.
- N'utilisez pas le barbecue tant qu'il n'est pas complètement assemblé et tant que toutes les pièces ne sont pas fixées et serrées solidement.
- Maintenez tout objet ou toute surface combustible à une distance d'au moins 91,44 cm (36 po) du barbecue, et ce, en tout temps.
- Ne touchez pas les éléments en métal du barbecue avant que celui-ci ne soit complètement refroidi (environ 45 minutes) afin d'éviter les brûlures, à moins d'utiliser des articles de protection (poignées, gants, mitaines pour le barbecue, etc.).
- Ne modifiez ce barbecue d'aucune façon.
- Nettoyez et inspectez le tuyau avant chaque utilisation. Si vous constatez des signes d'abrasion ou d'usure, ou s'il est coupé ou qu'il fuit, il est important de le remplacer avant de faire fonctionner l'appareil. Vous devez utiliser l'ensemble de tuyau de remplacement précisé par le fabricant, lequel est indiqué dans la liste des pièces de rechange de ce manuel.
- Éloignez les tuyaux à gaz le plus loin possible des surfaces chaudes ou des débordements de graisse chaude.
- Assurez-vous que le compartiment du robinet du barbecue, ses brûleurs et les conduits d'aération sont toujours propres. Inspectez le barbecue avant chaque utilisation. N'entravez pas le flux de gaz ou d'air de la ventilation.
- L'alcool, les médicaments sous ordonnance et les médicaments vendus sans ordonnance peuvent affecter les facultés de l'utilisateur, l'empêchant d'assembler ce barbecue correctement ou de l'utiliser de manière sécuritaire.
- Ne laissez pas un barbecue allumé sans surveillance. Gardez le barbecue hors de la portée des enfants et des animaux en tout temps.
- Ne le placez pas sur une table. Placez le barbecue sur une surface plane.
- N'utilisez pas ce barbecue dans des conditions de grands vents.

Contenu de l'emballage

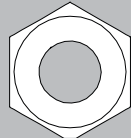


PIÈCE	DESCRIPTION	QTÉ.	PIÈCE	DESCRIPTION	QTÉ.
A	Poignée du couvercle	1	P	Embout de jambe	2
B	Indicateur de température	1	Q	Barre d'exclusion latérale	1
C	Collerette de la jauge de température	1	R	Renfort de réservoir	1
D	Barbecue avec écran thermique	1	S	Support arrière du chariot	1
E	Bouton de commande	2	T	Panneau avant du chariot, supérieur	1
F	porte-gobelet à graisse	1	U	Vis de retenue cylindrique	1
G	Récipient à graisse	1	V	Panneau avant du chariot, inférieur	1
H	Chauffe-plat	1	W	Essieu	1
I	Grille de cuisson	2	X	Roue	2
J	Tente à chaleur du brûleur principal	2	Y	Ensemble - Jambe droite	1
K	Tablette latérale	2	Z	Fil de rétention de réservoir	2
L	Bouton de commande SearPLUS™	1	A1	Support arrière de la ensemble de boîte du fumeur	1
M	Tente à chaleur du brûleur de SearPLUS™	1	B1	Support avant de ensemble de boîte fumeur	1
N	Bouclier thermique du réservoir	1	C1	Chambre de ensemble de boîte du fumeur	1
O	Ensemble - Jambe gauche	1			

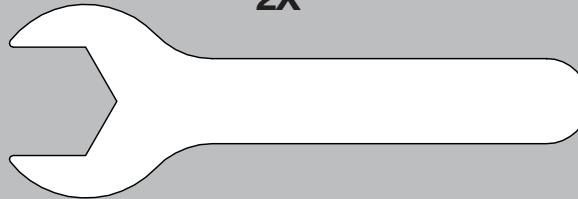
Quincaillerie Incluse

AA**2X**

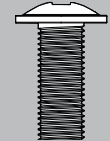
St4 8x10
Vis

BB**2X**

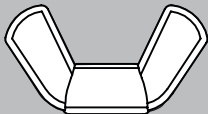
M8 Écrou

CC**2X**

M8
Clé

DD**20X**

M6x16
Vis

EE**2X**

M6 Écrou à
oreilles

FF**2X**

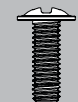
M6 Rondelle
élastique

GG**2X**

M6 Rondelle
Plate

HH**4X**

M4x10
Vis

II**16X**

M5x14
Vis

Préparation

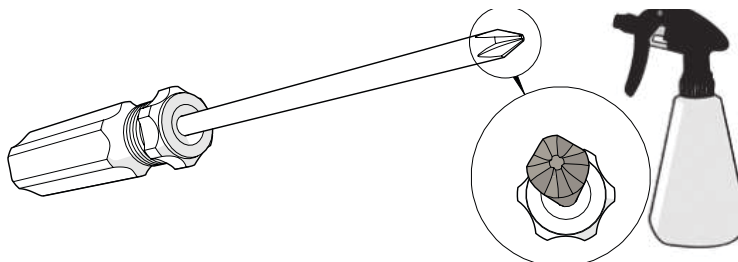
Avant de commencer l'assemblage du produit, assurez-vous d'avoir toutes les pièces. Comparez les pièces dans l'emballage avec la liste des pièces de la page précédente et la quincaillerie indiquée ci-dessus. S'il y a des pièces manquantes ou endommagées, ne tentez pas d'assembler le produit. Communiquez avec le service à la clientèle pour obtenir des pièces de rechange.

Temps d'assemblage approximatif : 50 minutes, par deux personnes.

MISE EN GARDE

CET ARTICLE EST LOURD. DEUX PERSONNES SONT NÉCESSAIRES POUR ASSEMBLER L'ARTICLE EN TOUTE SÉCURITÉ.

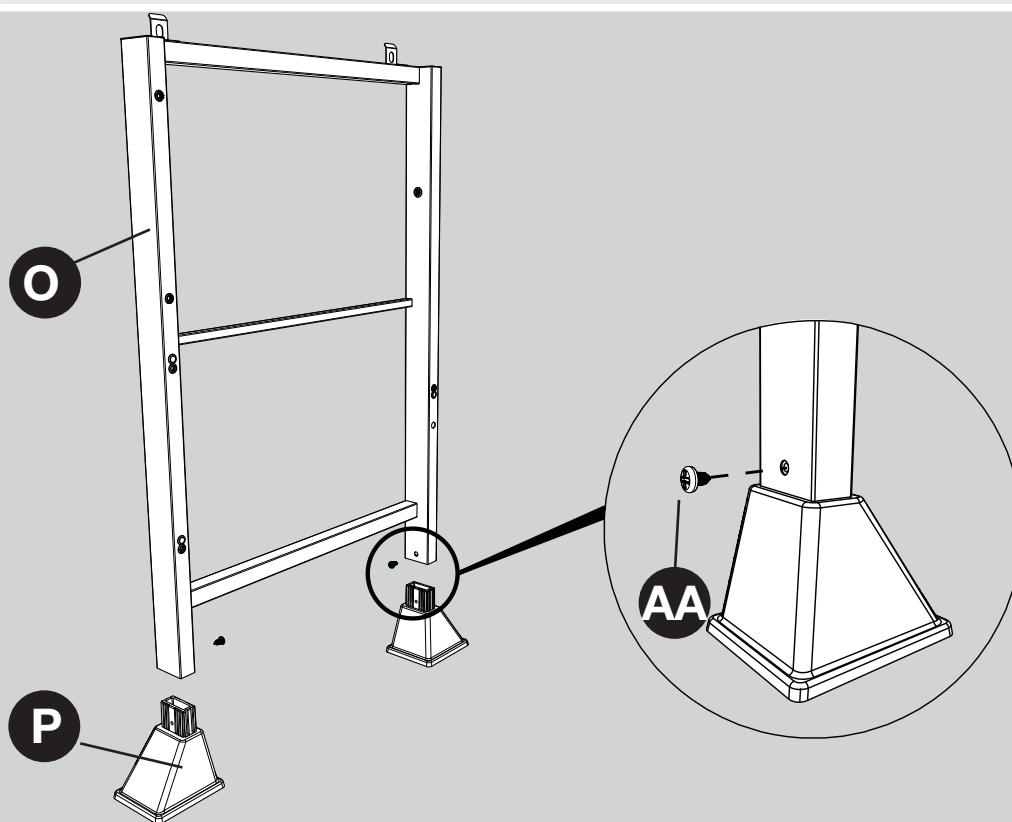
Deux personnes sont nécessaires pour l'assembler en toute sécurité. Soyez prudent, car certaines pièces peuvent avoir des bords coupants. Au besoin, portez des gants protecteurs. Lisez et respectez tous les énoncés sur la sécurité et les avertissements, et suivez toutes les instructions pour l'assemblage ainsi que la section sur l'entretien de l'article avant de tenter d'assembler et d'utiliser cet article.



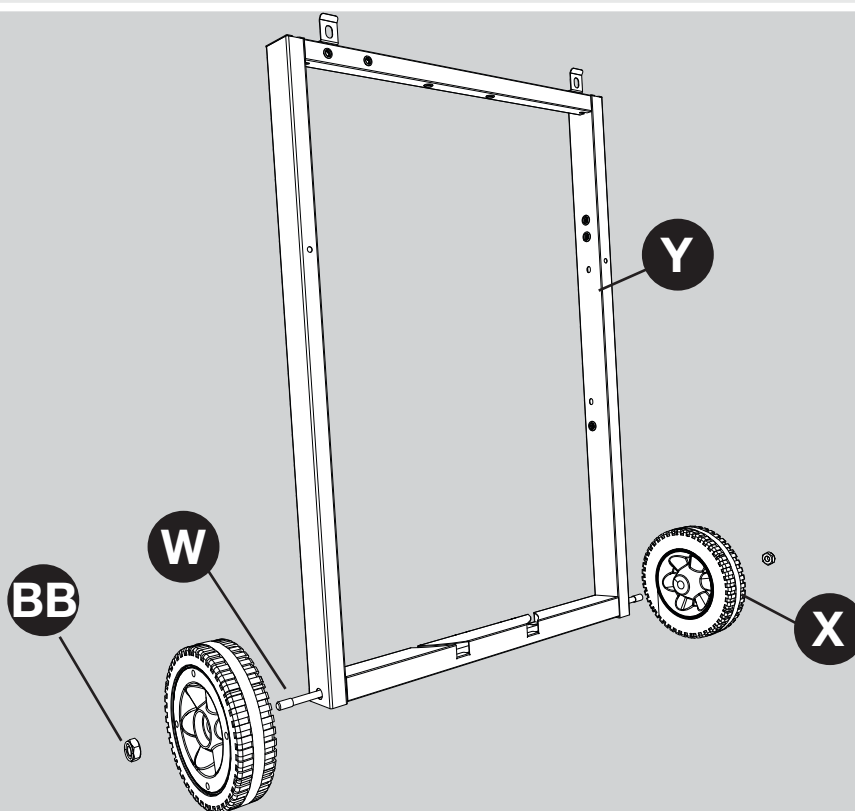
Outils nécessaires pour l'assemblage et la vérification des fuites (non inclus) : tournevis cruciforme et vaporisateur

Instructions pour l' Assemblage

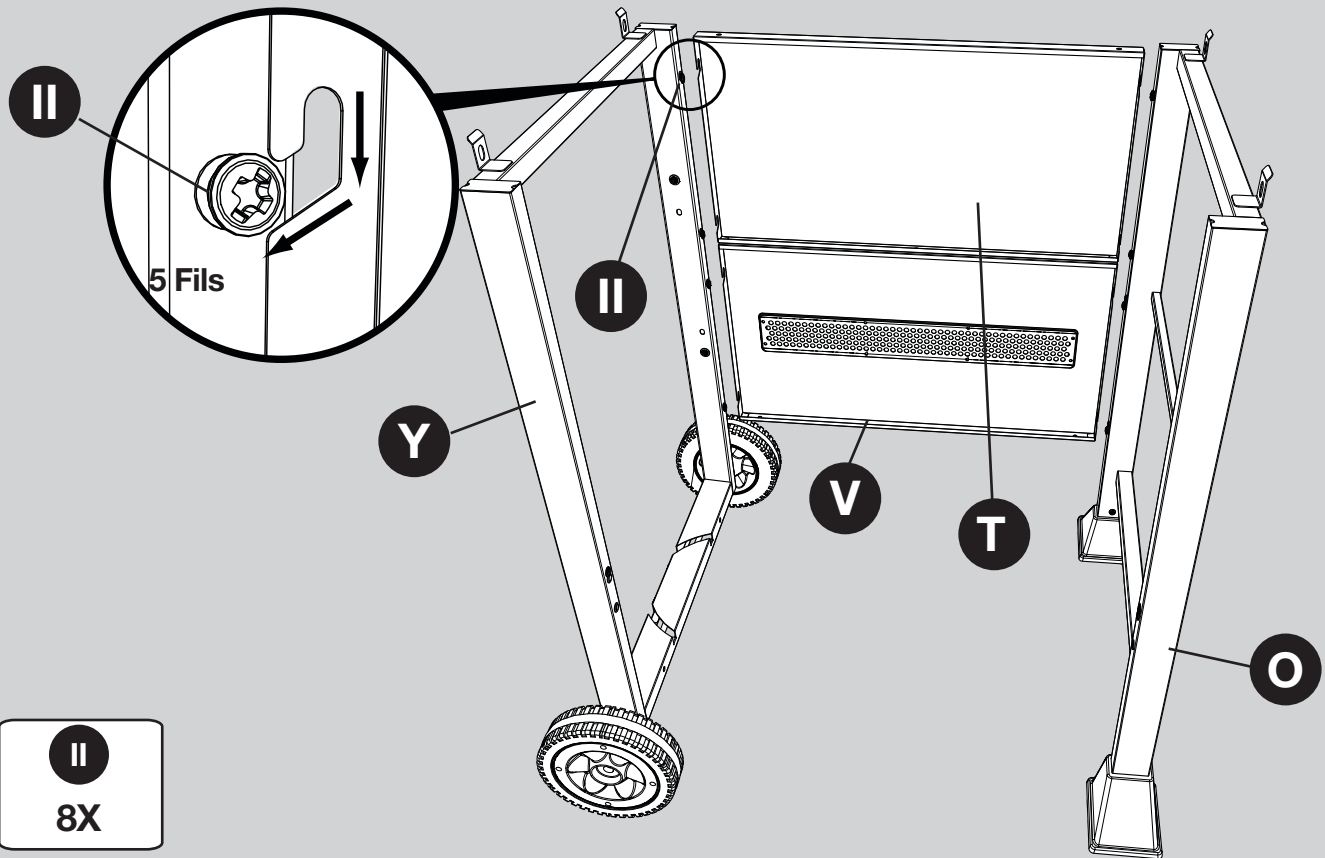
1 Assemblage – jambe gauche



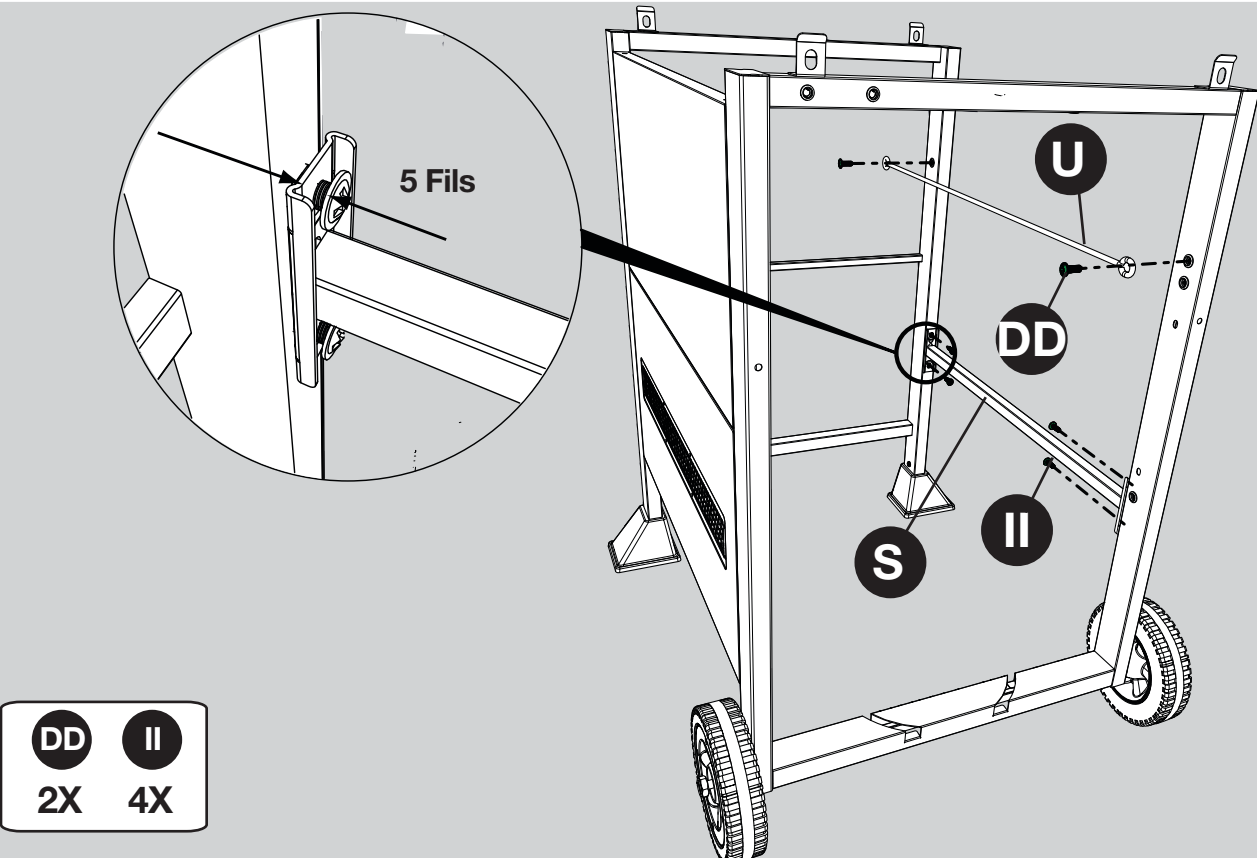
2 Assemblage – jambe droite



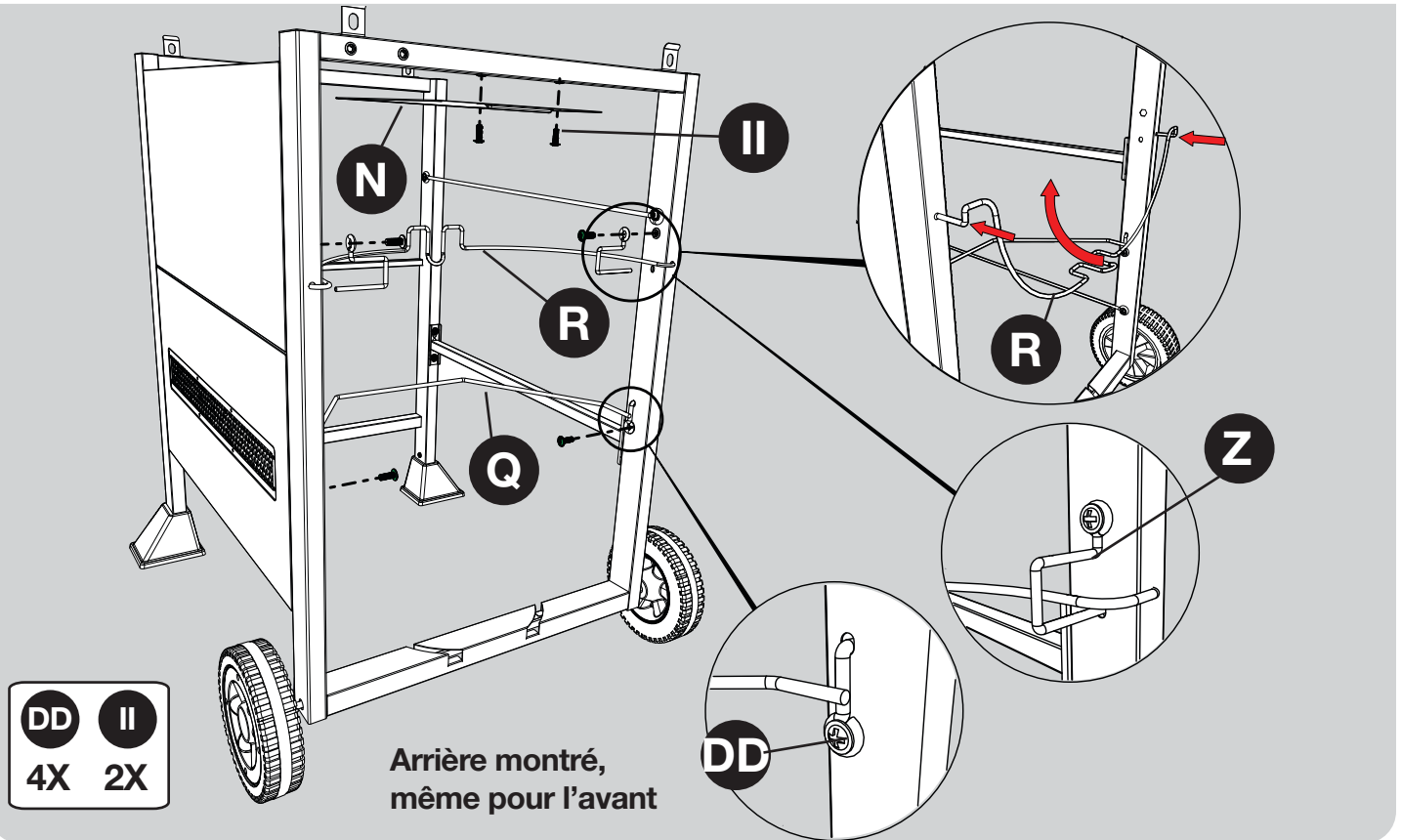
3 Assemblage – panneaux avant du chariot



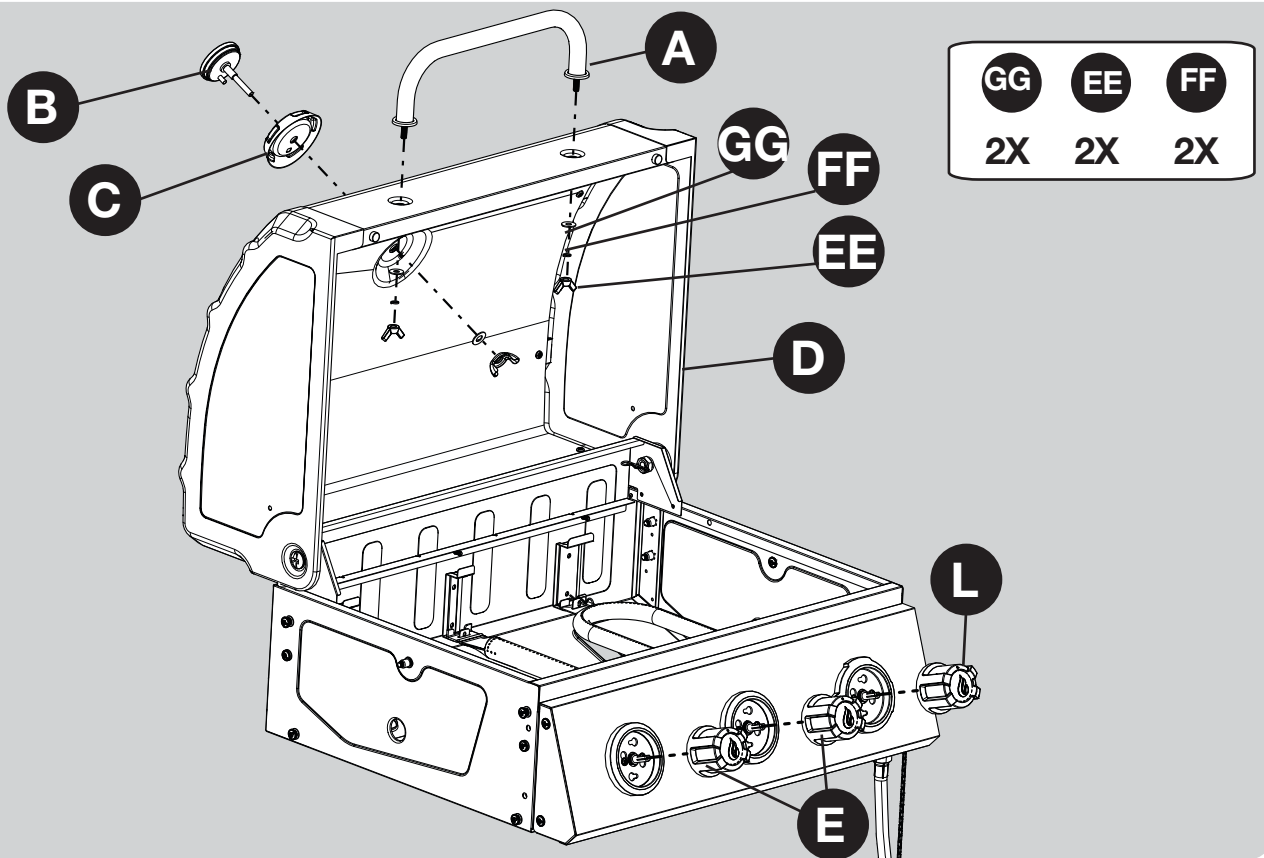
4 Montage – barre d'exclusion arrière, support arrière du chariot



5 Assemblage – renfort de réservoir, barre d'exclusion latérale



6 Assemblage – poignée, boutons, jauge de température



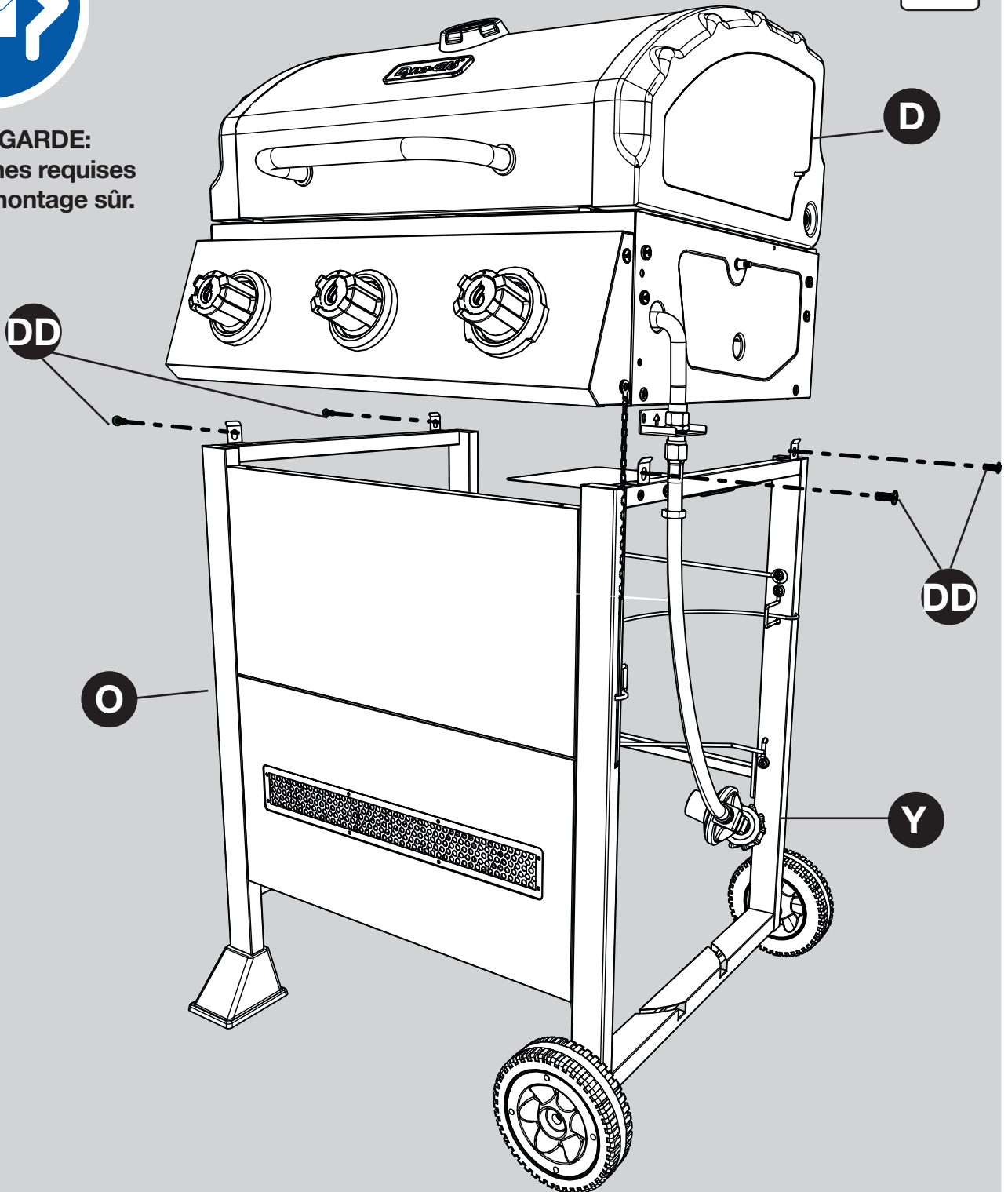
7

Assemblage – corps du grill à la base



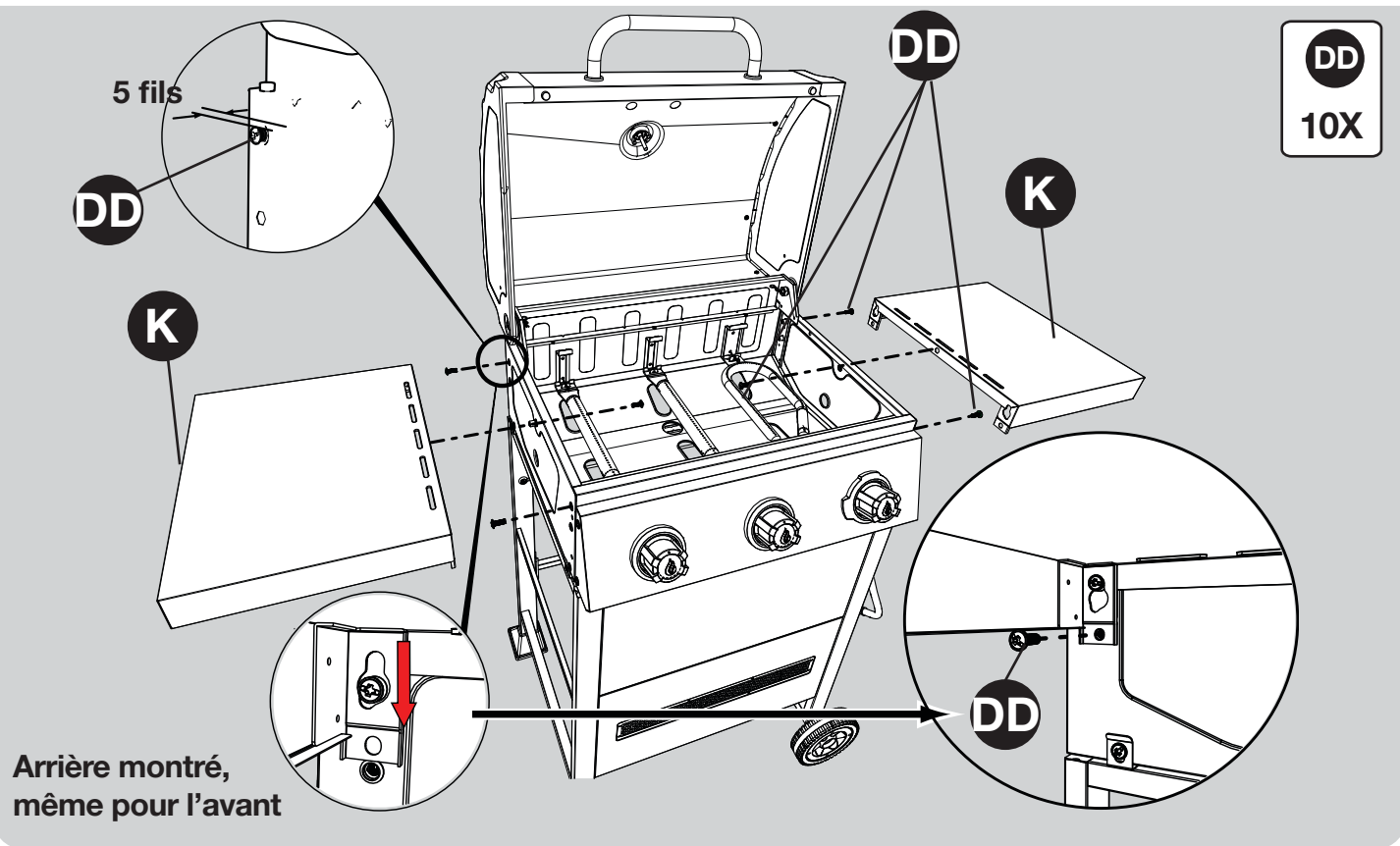
MISE EN GARDE:
2 personnes requises
pour un montage sûr.

DD
4X

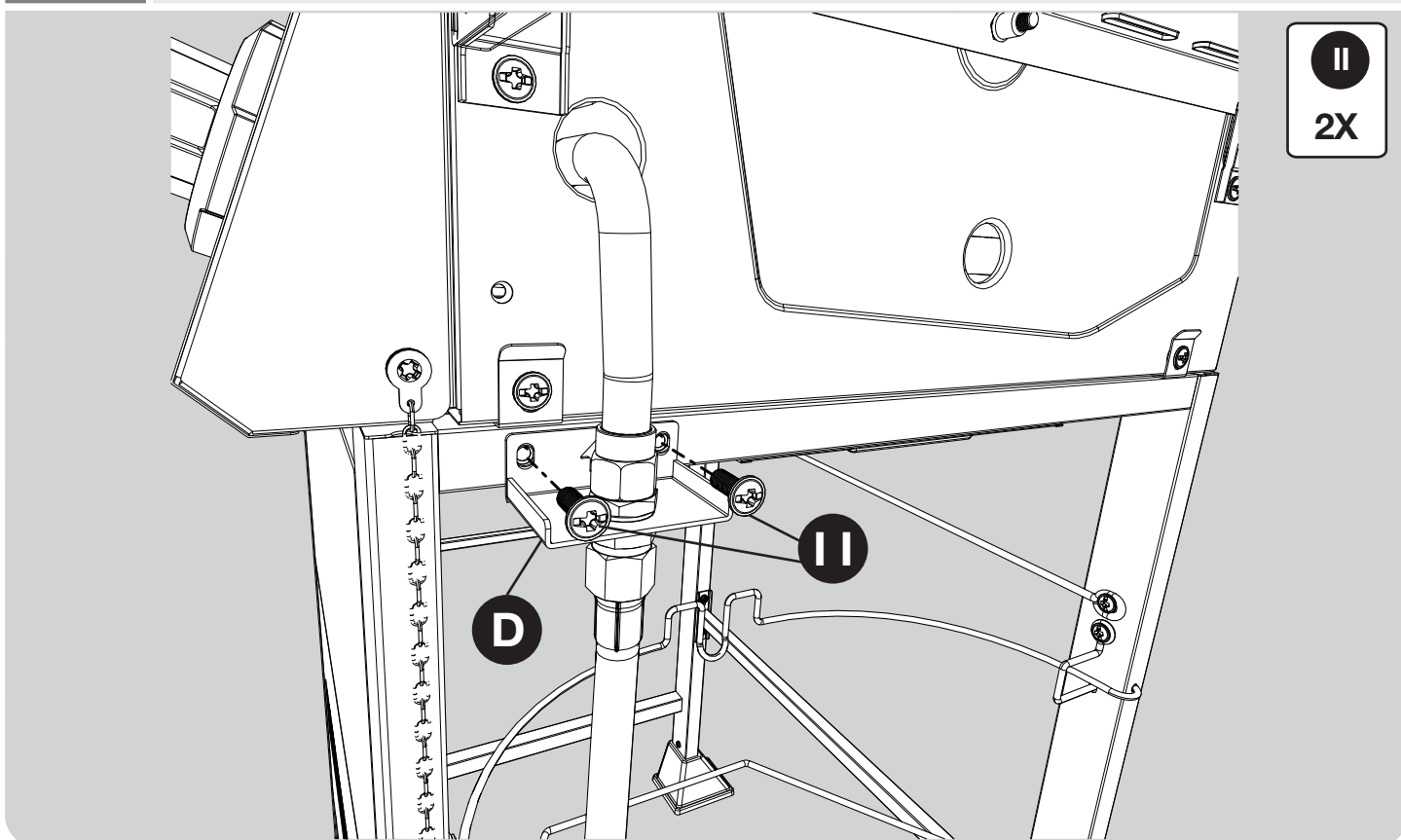


REMARQUE: Serrez complètement tous les écrous du
panneau avant et des vis du renfort arrière à ce moment.

8 Assemblage – étagère latérale

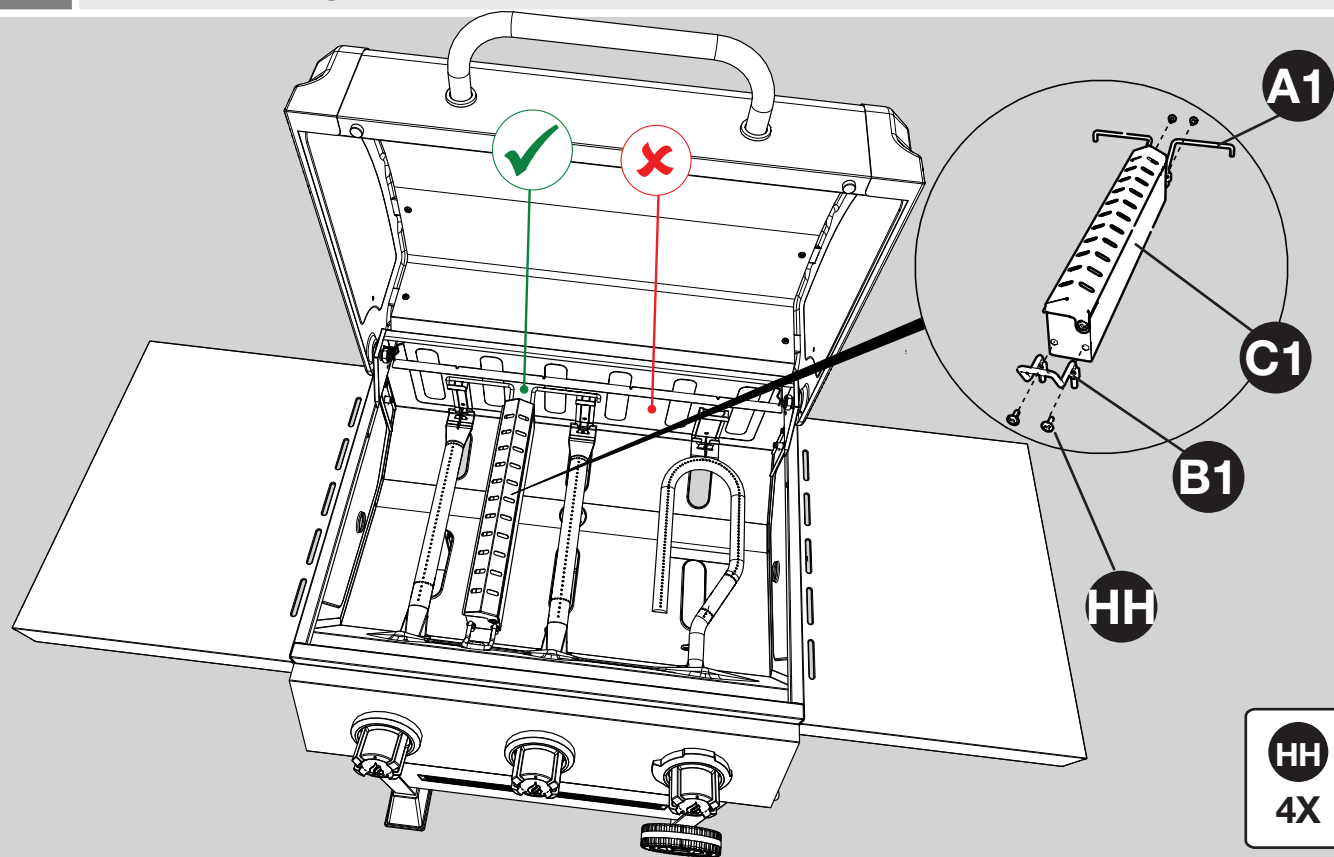


9 Assemblage – raccord du tuyau



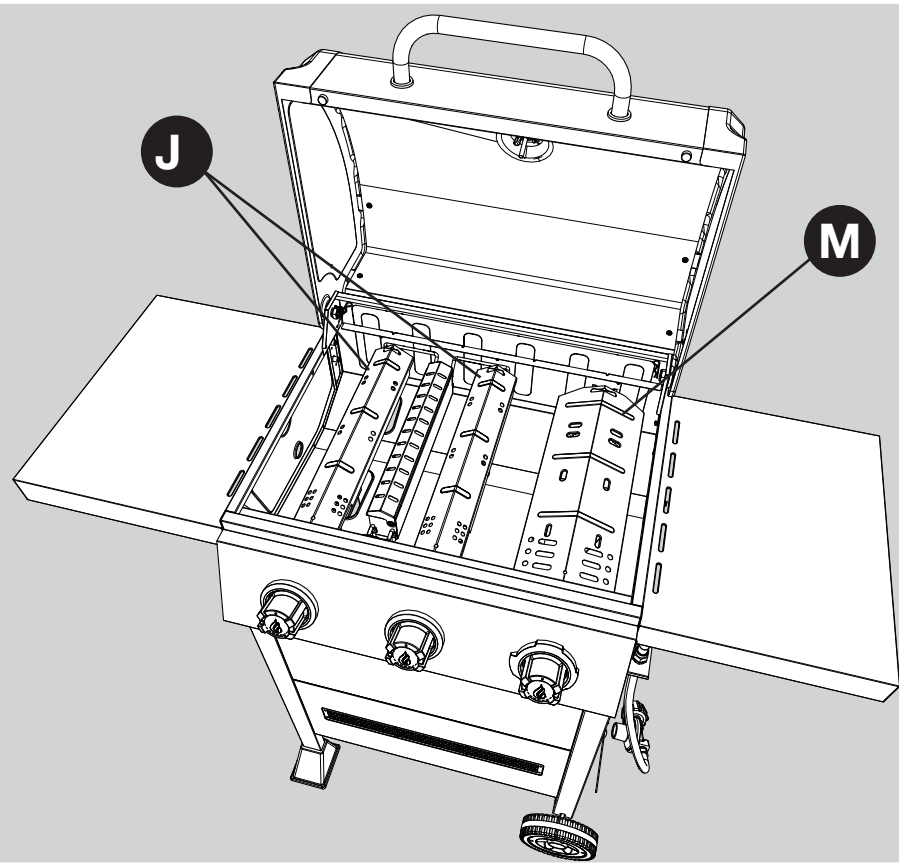
10

Assemblage – ensemble de boîte fumeur en option



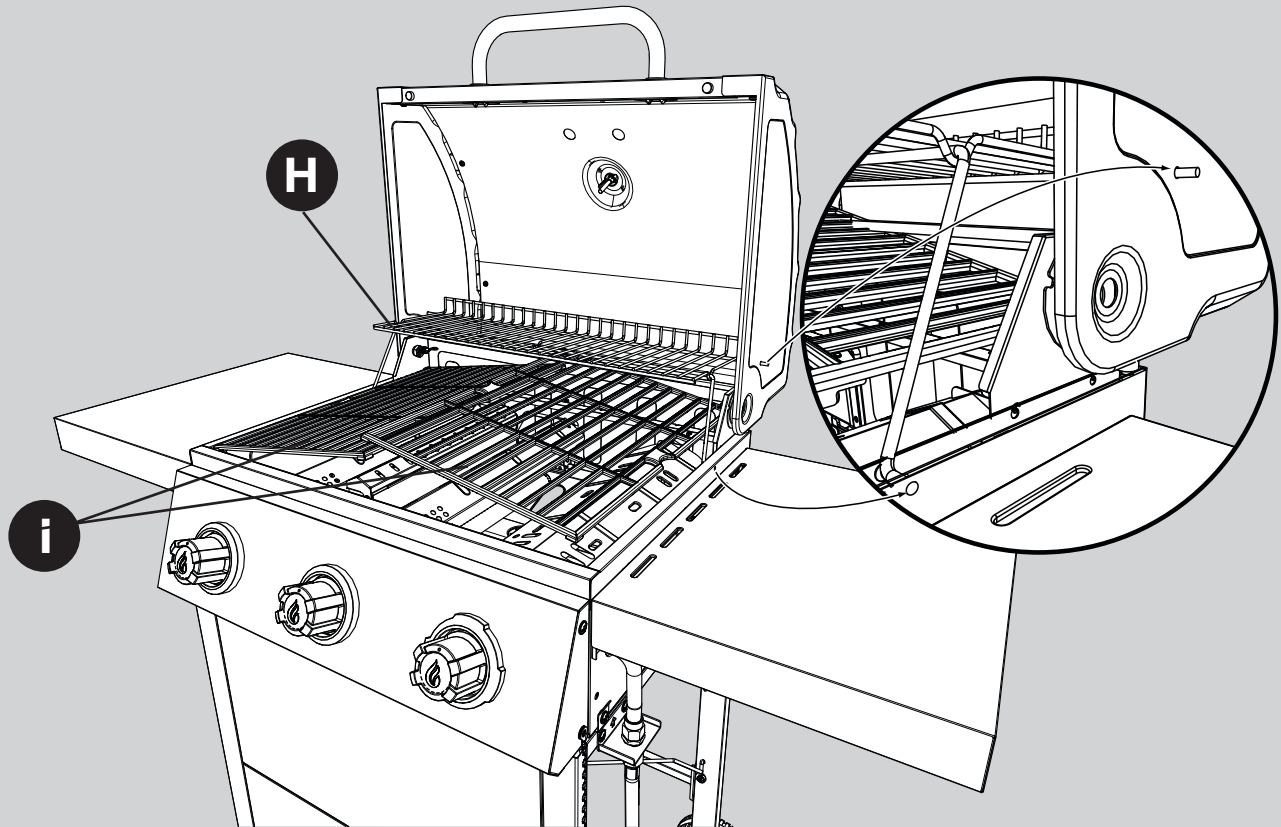
11

Montage – tentes thermiques



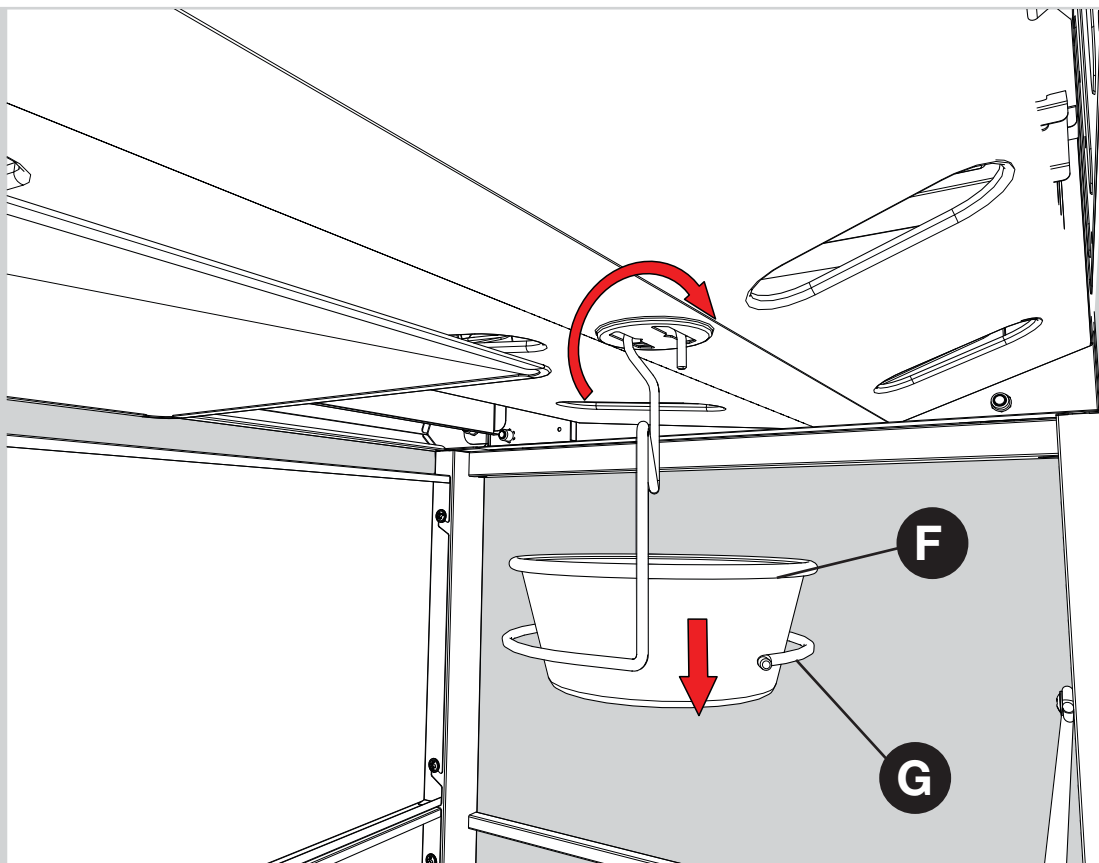
12

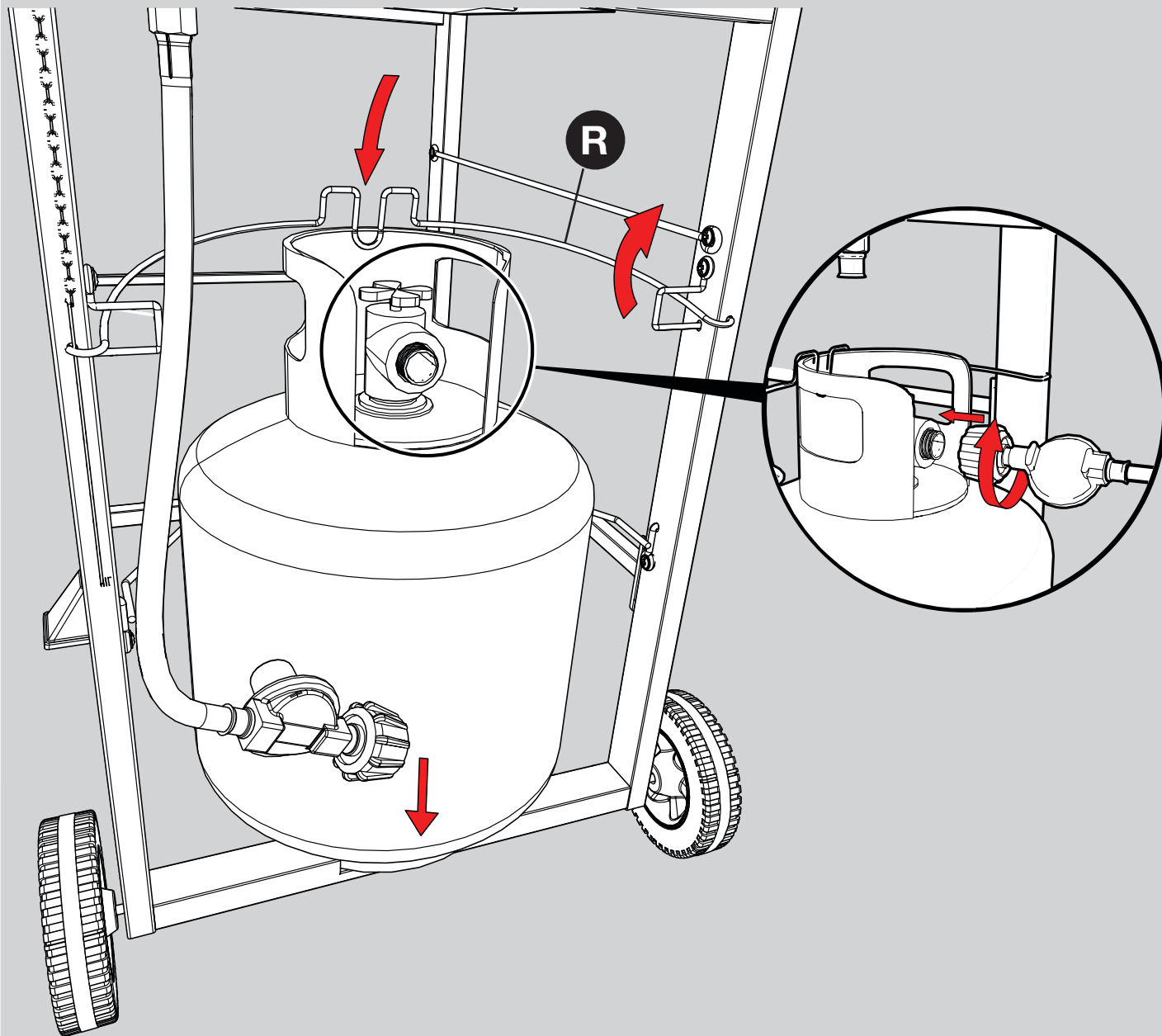
Assemblage – grilles de grille et de cuisson



13

Assemblage – Coupe-graisse





Mode d'emploi

DÉTECTION DES FUITES

Après avoir fait tous les branchements, vérifiez s'il y a des fuites en vaporisant de l'eau savonneuse sur le robinet du réservoir de propane liquéfié, le tuyau de gaz et le régulateur.

Pour prévenir les incendies ou les explosions lorsque vous tentez de détecter les fuites :

- Procédez toujours à la détection des fuites avant d'allumer le barbecue.
- Ne fumez pas lorsque vous vérifiez la présence de fuites.
- Procédez toujours à la détection des fuites à l'extérieur, dans un endroit bien aéré.
- N'utilisez aucune source de flamme lorsque vous vérifiez la présence de fuites.
- N'utilisez pas le barbecue tant que toutes les fuites n'ont pas été colmatées.
- Si vous ne pouvez colmater une fuite, débranchez immédiatement l'alimentation et appelez un service de réparation d'appareils.

VÉRIFICATION DES FUITES

- Préparez une solution afin de procéder à la vérification des fuites; mélangez une part de savon à vaisselle liquide et trois parts d'eau. Vous aurez besoin d'environ 70 à 90 ml (2 à 3 oz) de liquide. Versez la solution en question dans un vaporisateur.
- Assurez-vous que tous les boutons de commandes sont à la position **O** « OFF » (arrêt).
- Branchez le tuyau de gaz à l'alimentation en gaz.
- Ouvrez le robinet de la bouteille de gaz de pétrole liquéfié.
- Vaporisez la solution sur tous les branchements et les raccords dans lesquels circule du gaz. La présence de bulles à un endroit où vous avez appliqué la solution d'eau savonneuse indique une fuite de gaz. Si vous détectez ou entendez une fuite, ou si vous sentez une odeur de gaz, fermez immédiatement le robinet d'alimentation en gaz et réparez ou remplacez la pièce défectueuse. N'utilisez pas le barbecue tant que les fuites n'ont pas toutes été colmatées.

MISE EN GARDE

Utilisez uniquement l'ensemble régulateur et tuyau fourni! Si vous avez besoin d'une pièce de rechange, communiquez avec le service à la clientèle. N'utilisez pas de pièces de rechange qui ne sont pas conçues pour ce barbecue.

AVERTISSEMENT

TOUTES LES INSTRUCTIONS ET MESURES DE SAUVEGARDE SUR CETTE PAGE DOIVENT ÊTRE SUIVIES POUR PRÉVENTION INCENDIE, DOMMAGES ET / OU DE BLESSURES.

Mode d'emploi

RACCORD DE LA BOUTEILLE DE GAZ

La bouteille de propane liquéfié utilisée doit être fabriquée et identifiée conformément aux normes pour les bouteilles de propane liquéfié du Specifications for LP Gas Cylinders of the U.S. Department of Transportation (D.O.T.) or the National Standard of Canada, CAN/CSA-B339, Cylinders, Spheres and Tubes for Transportation of Dangerous Goods; and Commission, le cas échéant, et munie d'un dispositif de protection contre les débordements.

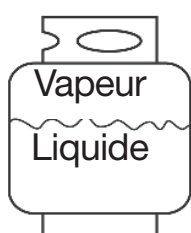
Utilisez seulement une bouteille de 9,07 kg (hauteur de 45.7 cm, diamètre de la bouteille de 31 cm, diamètre du pied de 20,4 cm) dotée d'un dispositif de raccord de bouteille compatible avec le raccord des appareils de cuisson à l'extérieur. La bouteille doit comporter un collet protecteur pour le robinet. Prenez soin de ne pas échauffer la bouteille de gaz ni la manipuler rudement!

Déconnectez la bouteille de gaz lorsque l'appareil n'est pas utilisé. Il est permis d'entreposer l'appareil à l'intérieur UNIQUEMENT si la bouteille de gaz est déconnectée et retirée de l'appareil. La bouteille doit être entreposée à l'extérieur et placée hors de la portée des enfants. Elle ne doit pas être entreposée dans un immeuble, un garage ou tout autre espace clos. Il ne faut jamais l'entreposer dans un endroit où la température peut excéder 51,7 °C.

Mettez un bouchon antipoussière sur la sortie du robinet d'une bouteille qui n'est pas utilisée. Utilisez uniquement le type de bouchon antipoussière fourni avec le robinet de la bouteille. D'autres types de bouchons pourraient ne pas être étanches et permettre des fuites de propane.

Avant de faire le raccord, assurez-vous qu'aucun débris n'obstrue le tuyau de sortie de la bouteille de gaz, du manodétendeur, du brûleur ou des orifices du brûleur. Raccordez le manodétendeur et resserrez-le à la main fermement. Fermez le robinet de la bouteille, puis déconnectez la bouteille de propane du manodétendeur lorsque le barbecue n'est pas utilisé.

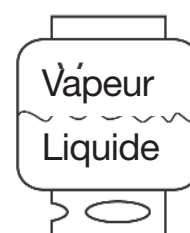
N'ENTRAVEZ PAS le flux d'air de combustion et de ventilation se rendant au barbecue. La bouteille de propane doit être munie d'un système permettant le retrait de la vapeur et d'un dispositif reconnu de prévention des trop-pleins. Veuillez orienter la bouteille dans le sens indiqué pour permettre le retrait de la vapeur. **REMARQUE** : La bouteille de gaz doit toujours être en position verticale afin de permettre uniquement le retrait de la vapeur.



Adéquat



Inadéquat



Inadéquat

⚠ MISE EN GARDE

- N'entreposez pas de bouteille de GPL sous le barbecue ou à proximité de celui-ci.
- Ne remplissez jamais une bouteille de GPL à plus de 80 % de sa capacité.
- Si les directives mentionnées au point (a) et au point (b) ne sont pas suivies exactement, un incendie causant la mort ou des blessures graves peut se produire.



Mode d'emploi

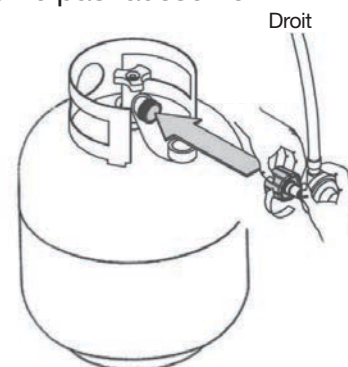
REMARQUE : Vous pouvez utiliser d'autres bouteilles avec cet appareil, pourvu qu'elles conviennent au trou pour la bouteille et aux dispositifs de fixation. Consultez l'étape 15 des instructions pour l'assemblage pour connaître la manière adéquate de fixer une bouteille au support de bouteille.



⚠ AVERTISSEMENT

TOUTES LES INSTRUCTIONS ET MESURES DE SÉCURITÉ QUI SUIVENT DOIVENT ÊTRE RESPECTÉES AFIN DE PRÉVENIR LES INCENDIES, LES DOMMAGES ET LES BLESSURES.

RACCORDEMENT DE LA BOUTEILLE DE PROPANE

1. Le robinet de la bouteille de propane doit être fermé. Pour vérifier si c'est le cas, assurez-vous qu'il n'est pas possible de le tourner davantage dans le sens des aiguilles  d'une montre. Le système d'alimentation de la bouteille doit être placé de façon à permettre le retrait du propane à l'état gazeux.
2. Vérifiez que le bouton de commande du dispositif de commande du brûleur est à la position «OFF» (arrêt).
3. Retirez le capuchon de protection du robinet du réservoir de propane liquéfié et de l'écrou d'accouplement.
4. Tenez le régulateur dans une main et insérez le mamelon dans le tuyau de sortie. Assurez-vous que le mamelon est bien centré dans le tuyau de sortie. L'écrou d'accouplement se visse sur les filets extérieurs de grande dimension du tuyau de sortie. Faites attention de ne pas fausser le filetage du raccord.
5. Serrez l'écrou d'accouplement à la main dans le sens des aiguilles  d'une montre jusqu'à ce qu'il ne soit plus possible de le tourner davantage.
Vissez-le fermement à la main seulement. N'utilisez pas d'outils.



Déconnexion: Fermez complètement le robinet du réservoir en tournant dans le sens des aiguilles  d'une montre. Tournez dans le sens contraire  des aiguilles d'une montre jusqu'à ce que l'écrou se détache du régulateur.

⚠ AVERTISSEMENT

Lorsque vous effectuez les raccordements, assurez-vous que :

- le connecteur de l'orifice d'entrée du régulateur est correctement et solidement raccordé au tuyau de sortie de la bouteille;
- le tuyau de gaz propane liquéfié ne touche pas au foyer du barbecue.

Mode d'emploi

ALLUMAGE DU BARBECUE

Avant la première utilisation:

Retirez toutes les étiquettes et les courroies de plastique, le cas échéant. Avant d'utiliser votre nouveau barbecue au gaz, il est nécessaire de le nettoyer à la chaleur. Pour ce faire, faites fonctionner le barbecue pendant une quinzaine de minutes; le couvercle doit être fermé et le bouton de commande, à la position maximale. De cette façon, la chaleur brûlera tous les résidus et dissipera l'odeur provenant du processus de fabrication, nettoyant ainsi les pièces internes.

⚠ MISE EN GARDE

Si la flamme s'éteint accidentellement pendant l'allumage ou l'utilisation du barbecue, FERMEZ immédiatement le robinet de la bouteille de propane, puis FERMEZ le bouton de commande du brûleur.

⚠ AVERTISSEMENT

Ne vous penchez pas au-dessus du barbecue lorsque vous l'allumez. Lisez les instructions avant d'allumer l'appareil.

1. Vérifiez que les boutons de contrôle sont dans la position **O** d'arrêt.
2. Ouvrez entièrement la valve du réservoir de gaz propane, dans le sens ↻ antihoraire.
3. Ouvrez le couvercle lors de l'allumage.
4. Appuyez sur le bouton de commande et tournez-le dans le sens contraire des aiguilles d'une montre ↻ de façon à ce qu'il passe de la position **O** « off » (arrêt) à la position ignite (allumage) ⚡, et enfin à la position haute intensité 🔥 pour les brûleurs principaux et 🔥 pour les brûleurs SearPLUS™. Il se peut que vous ayez à répéter cette étape plusieurs fois pour allumer le brûleur. Si le brûleur ne s'allume pas après cinq secondes, tournez les boutons de commande jusqu'à la position **O** « off » (arrêt), attendez cinq minutes et répétez les étapes d'allumage.

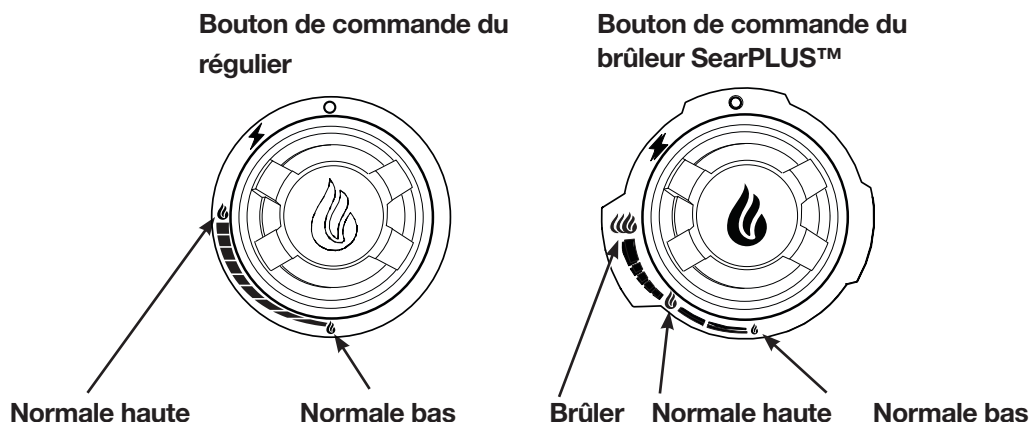
Si le brûleur ne s'allume toujours pas, vérifiez qu'il y a du gaz dans la bouteille, puis suivez les instructions pour l'allumage avec une allumette.

Cuisine :

Après l'allumage, réglez le brûleur, y compris le brûleur SearPLUS™, de la position haute (🔥) à basse (🔥) température de cuisson.

Aliments brûleurs avec le brûleur SearPLUS™ :

Pour saisir les aliments, utilisez le brûleur™ SearPLUS avec le bouton de commande rouge, qui a une température plus élevée que les autres brûleurs. Après l'allumage, réglez le bouton de commande du brûleur SearPLUS™ sur la position Sear (🔥) et placez les aliments à saisir sur la grille de la Sear directement sur le brûleur™ SearPLUS.



Mode d'emploi

ALLUMAGE DU BARBECUE AVEC UNE ALLUMETTE

1. Ouvrez le couvercle.
2. Insérez une allumette à l'extrémité du support à allumettes situé à l'intérieur de la porte du charriot.
3. Allumez l'allumette.
4. Insérez sans tarder l'allumette enflammée dans le trou de 20 mm (0,75 po) situé sur le côté du corps du barbecue le plus près du brûleur que vous souhaitez allumer. Assurez-vous que l'allumette enflammée est près des orifices du brûleur.
5. Appuyez sur le bouton de commande du brûleur, puis faites-le tourner en sens antihoraire ↺ jusqu'à la position de haute intensité 🔥 pour les brûleurs principaux et 🔥 pour les brûleurs SearPLUS™ qui devraient s'allumer instantanément.
6. Répétez les étapes 2-5 pour allumer les brûleurs supplémentaires.
7. Réglez les brûleurs à l'intensité de cuisson désirée.

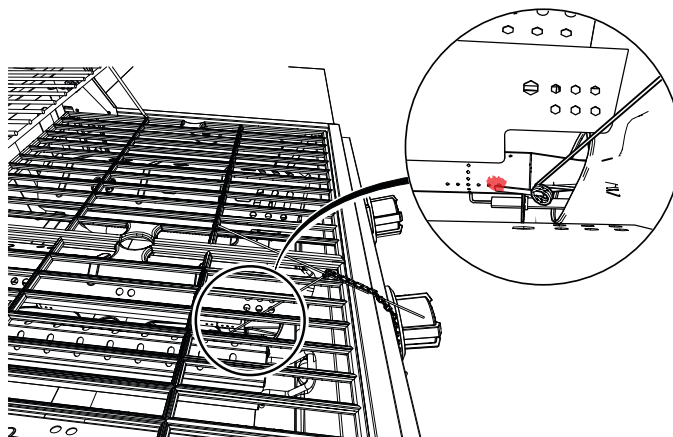
⚠ MISE EN GARDE

Assurez-vous que toutes les commandes des brûleurs sont éteints, sauf le brûleur étant allumé et les brûleurs qui ont été allumés.

⚠ AVERTISSEMENT

Si l'allumage ne se produit pas en 5 secondes, mettez les boutons de commande en position d'arrêt (O). Attendez 5 minutes et recommencez la procédure d'allumage.

Allumage à l'allumette



INSTRUCTIONS POUR L'ARRÊT

1. Tournez les boutons de commande dans le sens de ↻ aiguilles d'une montre jusqu'à la position O arrêt.
2. Fermez complètement le robinet du réservoir en le tournant dans le sens des ↻ aiguilles d'une montre.
3. Fermez le couvercle.

Couper l'alimentation en gaz PL à la bouteille si l'appareil n'est pas utilisé.

Entretien

Grilles de cuisson

Il est recommandé de brûler les résidus sur la grille de cuisson environ quinze minutes après chaque utilisation. Le barbecue est encore chaud et nécessite donc moins de gaz pour atteindre la chaleur nécessaire pour brûler les résidus.

Pour brûler les résidus ou nettoyer votre barbecue par la chaleur, allumez les brûleurs à la position maximale et laissez-les fonctionner pendant 15 minutes, le couvercle du barbecue fermé. Ensuite, éteignez les brûleurs et utilisez une brosse métallique afin de nettoyer les résidus de nourriture qui se trouvent sur les grilles.

Les grilles en porcelaine ont une finition émail (semblable au verre) et doivent être manipulées avec précaution pour aider à éviter l'écaillage.

⚠ MISE EN GARDE

Avant de nettoyer et d'entretenir le barbecue, assurez-vous qu'il est refroidi et que l'alimentation en gaz de la bouteille de propane est fermée.

Produits De Nettoyage Recommandés

Savon à vaisselle liquide doux, eau tiède, tampon à récurer en nylon, brosse métallique.

N'utilisez PAS de produits nettoyants contenant de l'acide, de l'essence minérale ou toute substance abrasive.

Surfaces Extérieures

Il est recommandé de n'utiliser que du savon à vaisselle liquide doux et de l'eau chaude pour nettoyer le barbecue et les pièces de celui-ci. Rincez à l'eau tiède.

Cuvette Inférieure À L'intérieur Du Corps Du Barbecue

Afin d'éviter les montées de flammes, il est recommandé de nettoyer régulièrement la cuvette inférieure située à l'intérieur du barbecue. Enlevez les résidus à l'aide d'une brosse, d'un grattoir ou d'un tampon à récurer. Nettoyez doucement à l'aide de savon à vaisselle liquide doux et d'eau tiède. Rincez à l'eau tiède. Évitez d'éclabousser les tubes diffuseurs des brûleurs.

Plaques Chauffantes

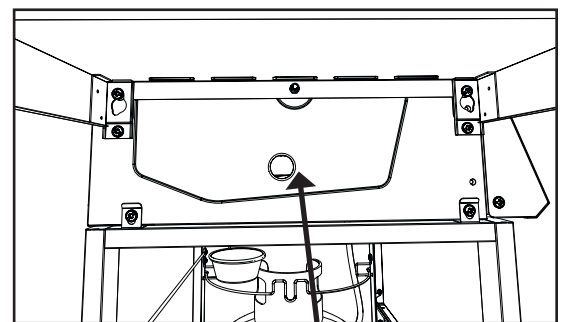
Nettoyez les résidus à l'aide d'une brosse métallique et avec avec du savon à vaisselle doux et de l'eau tiède. Rincez à l'eau tiède.

Bac Ramasse-Graisse

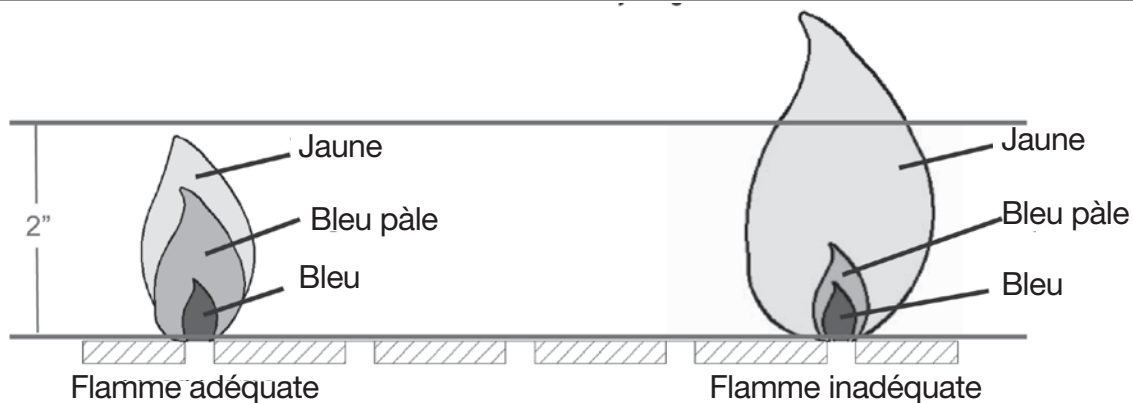
Videz le bac ramasse-graisse, puis nettoyez-le régulièrement avec du savon à vaisselle liquide doux et de l'eau tiède.

Vérification De La Flamme

Pour obtenir un rendement énergétique optimal ainsi qu'une excellente cuisson, la flamme devrait être jaune et bleue, et sa hauteur, d'environ 2,5 cm à 5 cm. Pour vérifier la flamme, regardez-la à travers le trou conçu pour allumer les brûleurs à l'aide d'une allumette, situé sur le côté du foyer.



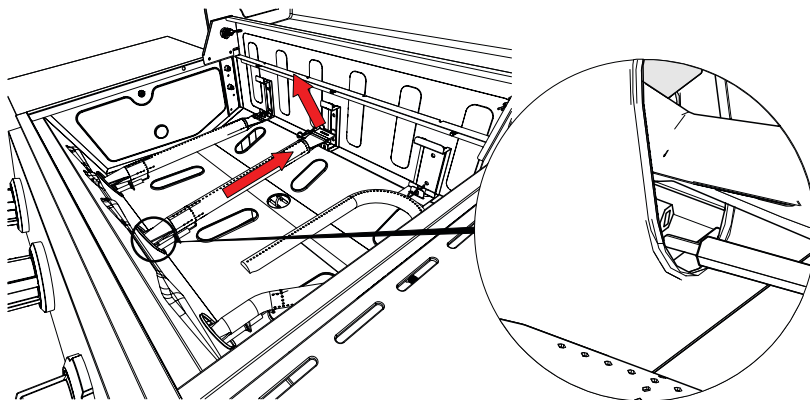
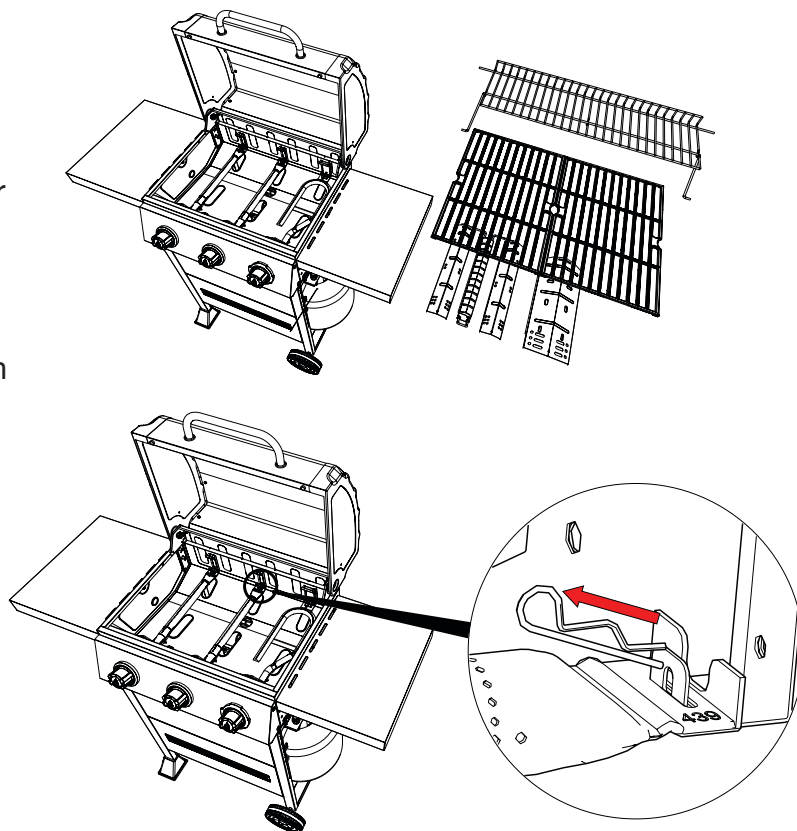
Trou pour visualiser la flamme



Ensemble de brûleur

Retrait de l'ensemble de brûleur

1. Assurez-vous que tous les boutons de commande sont à la position **○** « OFF » (arrêt), que le robinet du réservoir de propane liquéfié est fermé et que ce dernier n'est relié ni au régulateur ni au barbecue.
2. Ouvrez ensuite le couvercle et retirez la grille de maintien au chaud, chambre de combustion du fumoir, les grilles de cuisson et les plaques chauffantes.
3. Enlevez les goupilles fendues à l'arrière des brûleurs afin de dégager les brûleurs des supports, comme illustré (illustration 1).
4. Glissez les brûleurs principaux et le brûleur de saisie à l'extérieur de la chambre de combustion.
5. Enlevez le fil d'allumage de l'électrode (illustration 2).



Entretien

⚠ AVERTISSEMENT

Si les directives mentionnées précédemment ne sont pas suivies, un incendie ou une explosion pourrait survenir, risquant de causer des blessures graves, voire la mort.

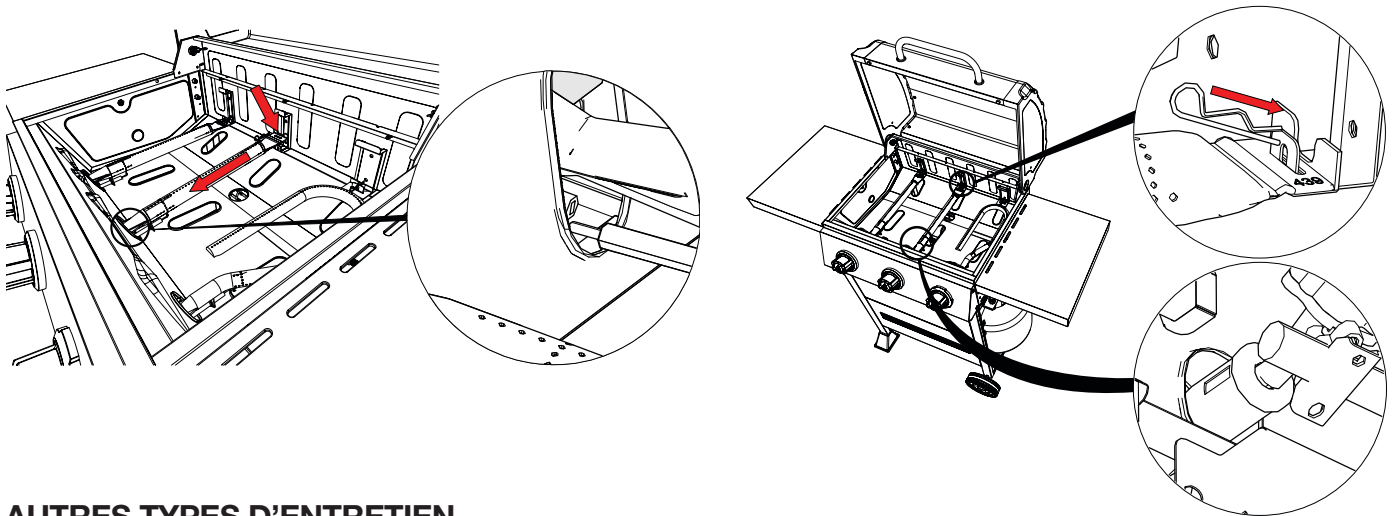
Nettoyage de l'ensemble de brûleur

Assurez-vous que le barbecue est refroidi.

1. Assurez-vous que tous les orifices du brûleur ne sont pas bouchés. Pour ce faire, utilisez une épingle ou un trombone.
2. Assurez-vous que le brûleur n'est pas endommagé. Le cas échéant, remplacez-le par un nouveau brûleur.
3. Assurez-vous que l'extrémité du brûleur et le filtre à air principal sont exempts de nids d'insectes, de poussière ou de débris.

Réinstallation du brûleur

Assurez-vous que les orifices du robinet de gaz sont placés correctement à l'intérieur du diffuseur du brûleur (venturi). Vous devrez peut-être utiliser une lampe de poche pour les installer correctement. Il est recommandé de vérifier leur position à travers les trous de ventilation du foyer du barbecue, tel que l'illustre la figure ci-dessous.



AUTRES TYPES D'ENTRETIEN

Nous vous recommandons de faire faire l'entretien de cet appareil une fois par année par un technicien qualifié.

Nous vous recommandons de vérifier régulièrement que l'espace autour du barbecue au gaz est exempt de tout matériau combustible, essence et autres vapeurs et liquides inflammables.

Nous vous recommandons de vérifier régulièrement que le flux d'air de combustion et de ventilation n'est pas entravé.

Nous vous recommandons de vérifier régulièrement que les ouvertures de ventilation entourant la bouteille (sur le charriot) sont exemptes de débris.

Nous vous recommandons de vérifier régulièrement les tubes du venturi et du brûleur, et de les nettoyer si des insectes ou des nids d'insectes s'y trouvent. Un tube obstrué peut causer un feu sous le barbecue.

Dépannage

Si vous avez des questions, veuillez téléphoner au service à la clientèle au 1-877-447-4768, Huit heures et demie-16h30, HNC, du lundi - vendredi.

PROBLÈME	CAUSE POSSIBLE	MESURE CORRECTIVE
Le brûleur ne s'allume pas à l'aide de l'allumeur (pas d'étincelle ou étincelle faible).	<ol style="list-style-type: none"> 1. L'électrode de l'allumeur est couverte de graisse ou de résidus. 2. Un fil de l'électrode de l'allumeur est mal raccordé ou déconnecté. 3. L'électrode d'allumage est fissurée ou fendue. 	<ol style="list-style-type: none"> 1. Nettoyez l'électrode de l'allumeur. 2. Vérifiez les fils et reconnectez tout fil mal raccordé ou déconnecté. 3. Remplacez l'électrode d'allumage (consultez la liste des pièces de rechange).
La chaleur est faible.	<ol style="list-style-type: none"> 1. La pression du gaz vers l'appareil est insuffisante. 	<ol style="list-style-type: none"> 1. Communiquez avec un service d'entretien autorisé pour qu'il vérifie la pression de l'alimentation en gaz et la corrige.
Il y a trop de montées de flammes intermittentes.	<ol style="list-style-type: none"> 1. De la graisse ou des résidus se sont accumulés sur les plaques chauffantes ou dans le foyer du barbecue. 2. Du gras ou de la marinade a dégoutté de la nourriture en trop grande quantité. 3. La température de cuisson est trop élevée. 	<ol style="list-style-type: none"> 1. Nettoyez les pièces du barbecue. 2. Retirez le gras de la viande et n'utilisez pas de marinades à base d'huile. 3. Réduisez la température en conséquence.
Le brûleur ne s'allume pas à l'aide d'une allumette.	<ol style="list-style-type: none"> 1. L'allumette n'atteint pas les brûleurs (lorsque vous la tenez d'une main). 2. L'alimentation en gaz est coupée. 3. Il y a un mauvais branchement entre le raccord à manchon et l'embout du tuyau de gaz. 4. L'entrée du brûleur est obstruée. 	<ol style="list-style-type: none"> 1. Utilisez le support à allumettes situé dans la porte de l'armoire. 2. Vérifiez si la vanne d'arrêt manuel du gaz est ouverte. 3. Tournez les boutons de commande à la position OFF (fermé), fermez la vanne d'arrêt du gaz, puis vérifiez le branchement du raccord à manchon et de l'embout. Au besoin, déconnectez-les et reconnectez-les. 4. Nettoyez le diffuseur (venturi) et le brûleur selon les instructions de la section Entretien du manuel.
Le gaz ne circule pas ou sa circulation est entravée.	<ol style="list-style-type: none"> 1. L'alimentation en gaz est coupée. 2. La bouteille est vide. 3. Il y a un mauvais branchement entre le raccord à manchon et l'embout du tuyau de gaz. 4. L'entrée du brûleur est obstruée. 	<ol style="list-style-type: none"> 1. Vérifiez si la vanne d'arrêt manuel du gaz est ouverte. 2. Vérifiez le niveau de gaz et remplissez la bouteille s'il y a lieu. 3. Tournez les boutons de commande à la position OFF (fermé), fermez la vanne d'arrêt du gaz, puis vérifiez le branchement du raccord à manchon et de l'embout. Au besoin, déconnectez-les et reconnectez-les. 4. Nettoyez le diffuseur (venturi) et le brûleur selon les instructions de la section Entretien du manuel.

Garantie Limitée

Limitée Garantie de 1 an

La garantie de un an de ce barbecue au gaz LP couvre les pièces endommagées ou brisées au moment de l'achat. Le barbecue est garanti contre tout défaut. La peinture est garantie contre tout défaut, à l'exception de la rouille qui peut apparaître après une utilisation répétée.

La garantie ne couvre pas les dommages ou les problèmes liés à une négligence, à un usage abusif ou aux modifications apportées à l'appareil. La garantie ne couvre pas les coûts de main-d'oeuvre.

Toutes les pièces couvertes par la garantie seront expédiées sans frais selon la méthode choisie par le fabricant (envoi terrestre par US Mail ou Parcel Post **UNIQUEMENT**). Tout montant additionnel (par exemple, la livraison le lendemain, le surlendemain, etc.) relève de la responsabilité du consommateur.

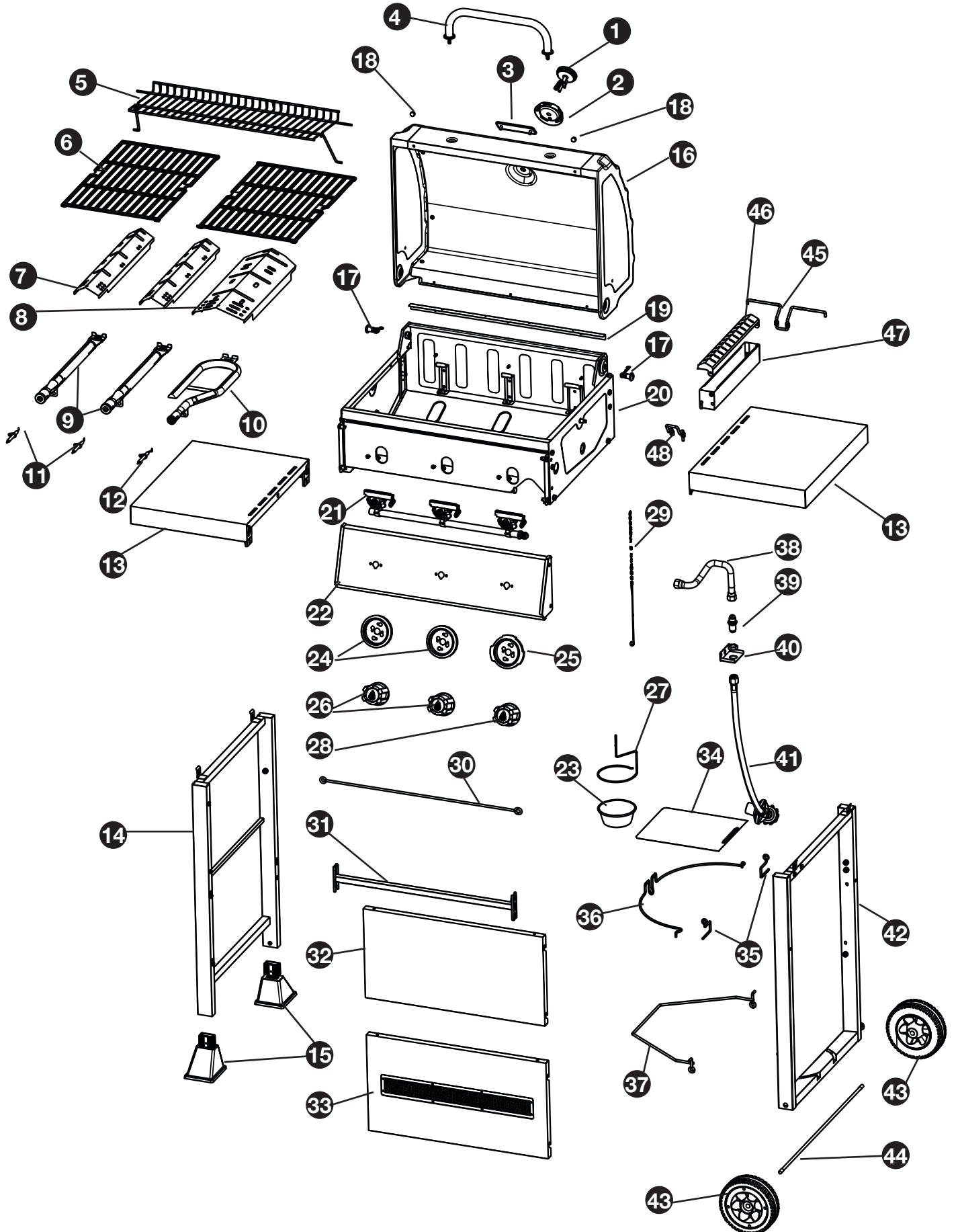
Toutes les réclamations au titre de la garantie ne peuvent être effectuées que par l'acheteur initial du produit et nécessitent une preuve d'achat qui indique la date d'achat. Ne retournez aucune pièce à l'adresse de GHP sans avoir obtenu un numéro d'autorisation de retour de notre service à la clientèle. Vous pouvez appeler sans frais notre service à la clientèle au 1-877-447-4768, huit heures et demie-16h30, HNC, du lundi - vendredi.

AVIS : Certains États ou certaines provinces ne permettent pas une limitation de la durée de la garantie implicite ou une exclusion ou une limitation des dommages accidentels ou consécutifs, de sorte que les limitations ou exclusions mentionnées ci-dessus peuvent ne pas s'appliquer à vous. Cette garantie vous confère des droits précis. Il est possible que vous disposiez également d'autres droits, qui varient d'un État ou d'une province à l'autre.

GHP Group Inc.
6440 W. Howard Street
Niles, IL, USA
60714-3302

Nom de l'article : Gril à gaz LP 3 brûleurs avec brûleur SearPLUS™
No de modèle : DGH353CRP/DGH353CRP-D
Total Brûleur Principal nominal BTU: 20,000 BTU/Hr
SearPLUS™ brûleur nominal BTU: 15,000 BTU/Hr

Liste des pièces de rechange



LISTE DES PIÈCES DE RECHANGE

Pour les pièces détachées, appelez notre service à la clientèle au 1-877-447-4768, 8h00-16h30, HNC, du lundi - vendredi.

PART	DESCRIPTION	PART #
1	Assemblage indicateur de température	70-02-264
2	Collerette de la jauge de température	70-01-906
3	Plaque	70-10-540
4	Poignée du couvercle	70-02-157
5	Chauffe-plat	70-01-633
6	Grille de cuisson	70-01-634
7	Tente à chaleur du brûleur principal	70-02-158
8	Tente à chaleur du brûleur de SearPLUS™	70-02-159
9	Brûleur principal et goupille fendue	70-02-582
10	Brûleur de SearPLUS™ et goupille fendue	70-02-062
11	Sparker du brûleur principal	70-01-283
12	SearPLUS™ sparker brûleur	70-02-063
13	Tablette laterale	70-02-160
14	Ensemble - jambe gauche	70-02-161
15	Embout de jambe	70-02-584
16	Couvercle	70-02-162
17	Axe d'articulation avec goupille fendue	70-01-641
18	Protège couvercle	70-01-176
19	Support de grille de cuisson	70-01-642
20	Barbecue avec bouclier thermique	70-02-163
21	Valves principales et clarinette	70-02-164
22	Panneau de commande	70-02-165
23	Réceptacle à graisse	70-01-650
24	Cadran de bouton de commande du brûleur principal	70-01-920
25	Cadran de bouton de commande du brûleur SearPLUS™	70-02-418
26	Bouton de commande du brûleur principal	70-01-921
27	porte-gobelet à graisse	70-01-651
28	Bouton de commande du brûleur SearPLUS™	70-01-923
29	Porte-allumettes	70-01-204
30	Pièce d'exclusion de la bouteille	70-02-555
31	Support chariot arrière	70-02-166
32	Panneau avant du chariot, supérieur	70-02-549
33	Panneau avant du chariot, inférieur	70-02-167
34	Bouclier thermique du réservoir	70-02-168
35	Fil de rétention de réservoir	70-02-541
36	Renfort de réservoir	70-02-433

LISTE DES PIÈCES DE RECHANGE

PART	DESCRIPTION	PART #
37	Barre d'exclusion latérale	70-02-435
38	Tuyau annelé	70-01-645
39	Connector	70-02-110
40	Connector fixing plate	70-02-268
41	Ensemble régulateur et tuyau	70-01-647
42	Ensemble jambe droite	70-02-169
43	Roue	70-01-659
44	Essieu	70-01-658
45	Support arrière de la ensemble de boîte du fumeur	70-02-086
46	Couvercle de ensemble de boîte du fumeur	70-01-929
47	Chambre de ensemble de boîte du fumeur	70-01-930
48	Support avant de ensemble de boîte fumeur	70-02-085
n/a	Paquet de quincaillerie	70-09-578

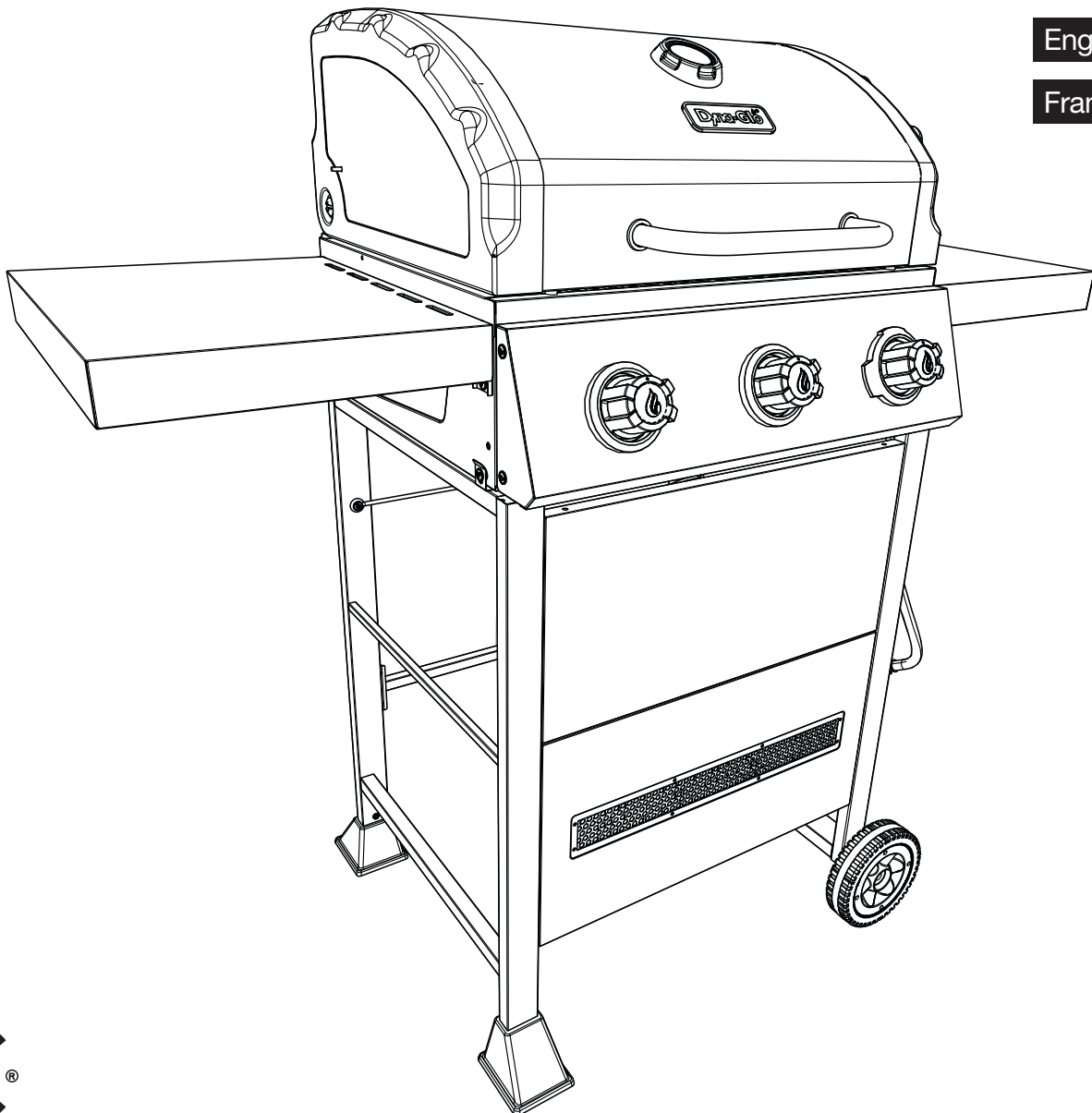
Dyna-Glo®

3 QUEMADORES DE GAS CON SEARPLUS™ BURNER

Modelo #DGH353CRP/DGH353CRP-D

English p. 1

Français p. 29



ANTES DE COMENZAR



Escanea para
instrucciones
fáciles en 3D



¿Preguntas, problemas, piezas faltantes?

Antes de volver a la tienda, llame a nuestro Departamento de Servicio al Cliente al **1-877-447-4768**,

de 8:00 am - 4:30 pm, hora central, de lunes - viernes o envíe un correo electrónico a customerservice@ghpgroupinc.com.

Indice

Informacion de seguridad	59
Contenido del paquete	61
Aditamentos	62
Preparacion	62
Instrucciones de ensamblaje.....	63
Instrucciones de funcionamiento	72
Cuidado y mantenimiento	77
Solución de Problemas	80
Garantía limitada	81
Lista de Piezas de Repuesto	82

Ensamblador/Instalador: Este manual contiene información importante necesaria para elensamblaje correcto y el uso seguro del electrodoméstico. Lea y siga todas las advertencias e instrucciones antes de ensamblar y utilizar este electrodoméstico. **Entregue estas instrucciones al consumidor.**

Guarde estas instrucciones para referencia futura.



Consumidor/Usuario: Siga todas las advertencias e instrucciones al utilizar este electrodoméstico. Guarde estas instrucciones para referencia futura.



PELIGRO

Si percibe olor a gas:

1. Cierre el suministro de gas hacia el electrodoméstico.
2. Apague cualquier llama directa.
3. Abra la tapa.
4. Si el olor persiste, manténgase alejado del electrodoméstico y llame de inmediato al departamento de bomberos.



AVERTENCIA

1. No almacene ni utilice gasolina u otros líquidos o vapores inflamables cerca de éste u otro electrodoméstico.
2. Un cilindro de gas propano que no esté conectado y en uso no debe almacenarse cerca de éste ni de ningún otro aparato.
3. Esta parrilla es sólo para uso en exteriores y no se debe usar en edificios, garajes, bajo salientes u otras áreas cerradas.
4. No deje la parrilla encendida sin supervisión. Mantenga a los niños y las mascotas alejados de la parrilla en todo momento.



Información de seguridad

Lea y comprenda completamente este manual antes de intentar ensamblar, usar o instalar el producto. Si tiene preguntas relacionadas con el producto, llame al Servicio al Cliente al: 1-877-447-4768, de 8:00 am - 4:30 pm, hora central, de lunes - viernes.

PELIGRO

- No utilice la unidad en un entorno explosivo. No debe haber materiales combustibles, gasolina ni otros vapores o líquidos inflamables cerca de la parrilla.



ADVERTENCIA: LOS COMBUSTIBLES USADOS EN EQUIPOS PARA LICUAR GAS PROPANO, ASÍ COMO LOS PRODUCTOS DE SU COMBUSTIÓN, PUEDEN EXPONERTE A SUSTANCIAS QUÍMICAS, ENTRE OTRAS EN BENCENO, QUE EL ESTADO DE CALIFORNIA RECONOCE COMO CAUSA DE CÁNCER Y DE MALFORMACIONES CONGENITAS Y OTROS DAÑOS AL SISTEMA REPRODUCTOR. Para más información, visite www.P65Warnings.ca.gov.

PRECAUCIÓN

- No utilice carbón o líquido para encendedor en la parrilla.
- No use gasolina, queroseno o alcohol para encender la parrilla.
- El cilindro de suministro de gas LP que se utilice con este electrodoméstico debe estar:
 - (a) Fabricado y marcado según las Specifications for LP-Gas Cylinders of the U.S. Department of Transportation (D.O.T.) or the National Standard of Canada, CAN/CSA-B339, Cylinders, Spheres and Tubes for Transportation of Dangerous Goods; and Commission, según corresponda, y
 - (b) Equipado con un dispositivo de prevención de sobrellenado homologado.
 - (c) Equipado con un dispositivo de conexión para el cilindro compatible con el conector para electrodomésticos para cocinar en exteriores. Esta parrilla no está diseñada para usarse o instalarse en vehículos recreativos y/o botes.
- Nunca guarde un contenedor lleno en un auto a altas temperaturas o en el portaequipajes del auto. El calor hace aumentar la presión del gas, lo que puede abrir la válvula de alivio y permitir que escape el gas.
- Siempre abra la tapa de la parrilla lentamente y con cuidado, ya que el calor y el vapor atrapados dentro de la parrilla pueden causar quemaduras graves.

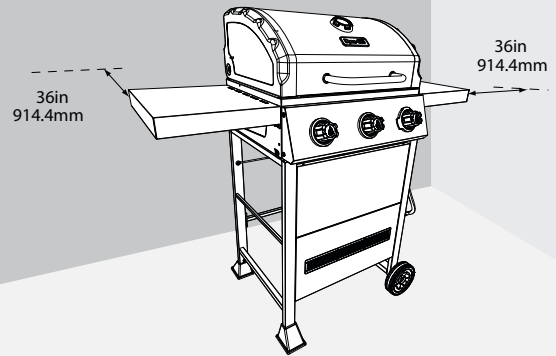


Información de seguridad

ADVERTENCIA

- No coloque la parrilla debajo de construcciones o cobertizos inflamables. Debe haber un espacio de separación mínimo de 91,44 cm (36") desde los lados y la parte posterior de la unidad hasta construcciones de material combustible.

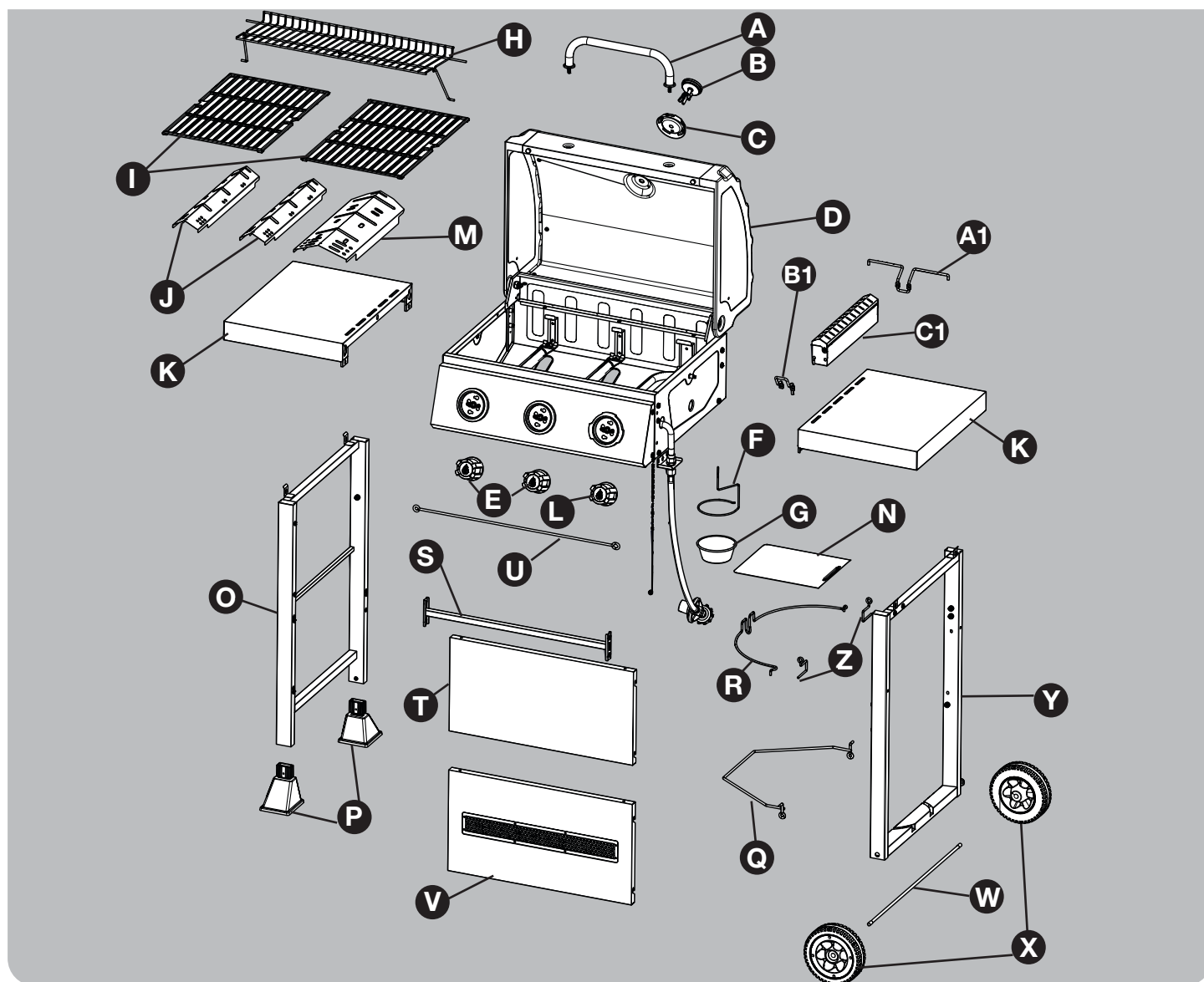
NOTA: La instalación debe cumplir con los códigos locales o, en su defecto, con el National Fuel Gas Code, ANSI Z223.1/NFPA 54, Natural Gas and Propane Installation Code, CSA B149.1, o Propane Storage and Handling Code, B149.2.



PRECAUCIÓN

- NO almacene ni utilice gasolina ni otros vapores o líquidos inflamables dentro de 8 metros (25 pies) de distancia de éste ni de ningún otro electrodoméstico.
- Cualquier tanque de gas propano líquido que no esté conectado y en uso debe almacenarse a una distancia mínima de 3 metros de éste o cualquier otro electrodoméstico.
- Esta parrilla debe utilizarse sólo con gas propano (no se incluye el cilindro de gas propano).
- No intente conectar esta parrilla al sistema de gas propano autocontenido de un bote, remolque para camping, casa rodante o casa.
- No intente mover la parrilla mientras está encendida o caliente. Las ruedas deben estar con seguro cuando la parrilla no se esté moviendo.
- No use la parrilla a menos que esté completamente ensamblada y todas las piezas estén ajustadas y apretadas con firmeza.
- Mantenga todos los artículos y las superficies combustibles a una distancia mínima de 91,44 cm (36") de la parrilla en todo momento.
- No toque las piezas metálicas de la parrilla hasta que se hayan enfriado completamente (espere unos 45 minutos) para evitar quemaduras, a menos que utilice artículos de protección (almohadillas, guantes, manoplas para horno, etc...).
- No altere la parrilla de ninguna manera.
- Limpie e inspeccione la manguera antes de cada uso. Si hay evidencia de abrasión, desgaste, cortes o fugas, se debe reemplazar la manguera antes de operar el electrodoméstico. La manguera de reemplazo debe ser la especificada por el fabricante, que se menciona en la lista de piezas de repuesto de este manual.
- Coloque las mangueras de gas lo más lejos posible de superficies calientes y de donde pueda caer grasa caliente.
- Mantenga limpios el compartimiento de la válvula, los quemadores y los pasajes de circulación de aire de la parrilla. Inspeccione la parrilla antes de cada uso. No obstruya el flujo de gas o del aire de ventilación.
- El consumo de alcohol, medicamentos recetados o medicamentos sin receta puede disminuir la capacidad del usuario para armar o utilizar la parrilla de manera segura.
- No deje la parrilla encendida sin supervisión. Mantenga a los niños y las mascotas alejados de la parrilla en todo momento.
- No coloque la parrilla sobre ningún tipo superficie de mesa. La parrilla se debe colocar sobre una superficie plana y nivelada.
- No use la parrilla si hay viento fuerte.

Contenido del paquete

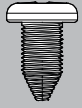


PIEZA	DESCRIPCIÓN	CANT.	PIEZA	DESCRIPCIÓN	CANT.
A	Montaje de la manija de la tapa	1	P	Tapa de extremo de pierna	2
B	Indicador de temperatura	1	Q	Barra de exclusión lateral	1
C	Bisel del indicador de temperatura	1	R	Refuerzo del tanque	1
D	Cuerpo de la parrilla	1	S	Carrito soporte trasero	1
E	Perilla del quemador principal	2	T	Panel delantero del carrito-parte superior	1
F	Portavasos de grasa	1	U	Exclusión del cilindro	1
G	Gaveta para grasa	1	V	Panel delantero del carrito-inferior	1
H	Rejilla recalentamiento	1	W	Eje	1
I	Parrilla de cocción	2	X	Rueda	2
J	Carpa de calor para el quemador principal	2	Y	Montaje de pierna derecha	1
K	Mesa del lateral	2	Z	Cable de retención del tanque	2
L	Parilla del quemador SearPLUS™	1	A1	Soporte trasero del caja de fumador	1
M	Carpa de calor para el quemador SearPLUS™	1	B1	Soporte frontal del caja de fumador	1
N	Escudo térmico del tanque	1	C1	Caja de fumador	1
O	Conjunto de pierna izquierda	1			

Aditamentos

AA

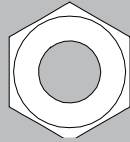
2X



St4 8x10
Tornillo

BB

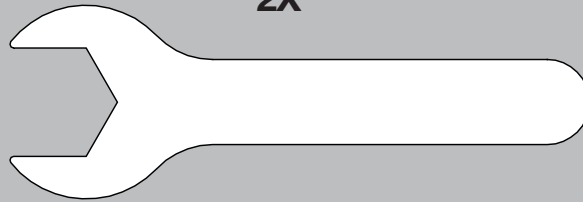
2X



M8 Tuerca

CC

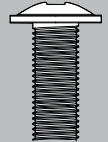
2X



M8
Llave

DD

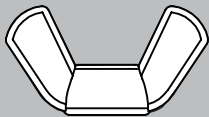
20X



M6x16
Tornillo

EE

2X



M6 Tuerca
mariposa

FF

2X



M6
Arandela de
Resorte

GG

2X



M6 Arandela
Plana

HH

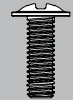
4X



M4x10
Tornillo

II

16X



M5x14
Tornillo

Preparacion

Antes de comenzar a ensamblar el producto, asegurese de tener todas las piezas. Compare las piezas con la lista del contenido del paquete de la pagina anterior y los aditamentos que aparecen arriba. No intente ensamblar el producto si falta alguna pieza o si estas estan danadas. Póngase en contacto con el Departamento de Servicio al Cliente para obtener piezas de repuesto.

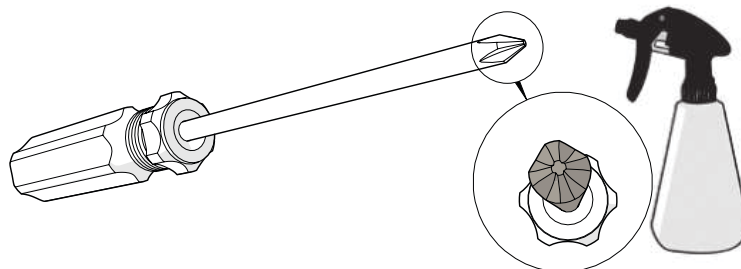
Tiempo estimado de ensamblaje: 50 minutos con 2 personas.



PRECAUCIÓN

ESTA UNIOAD ES PESADA. SE NECESITAN DOS PERSONAS PARA UN ENSAMBLAJE SEGURO.

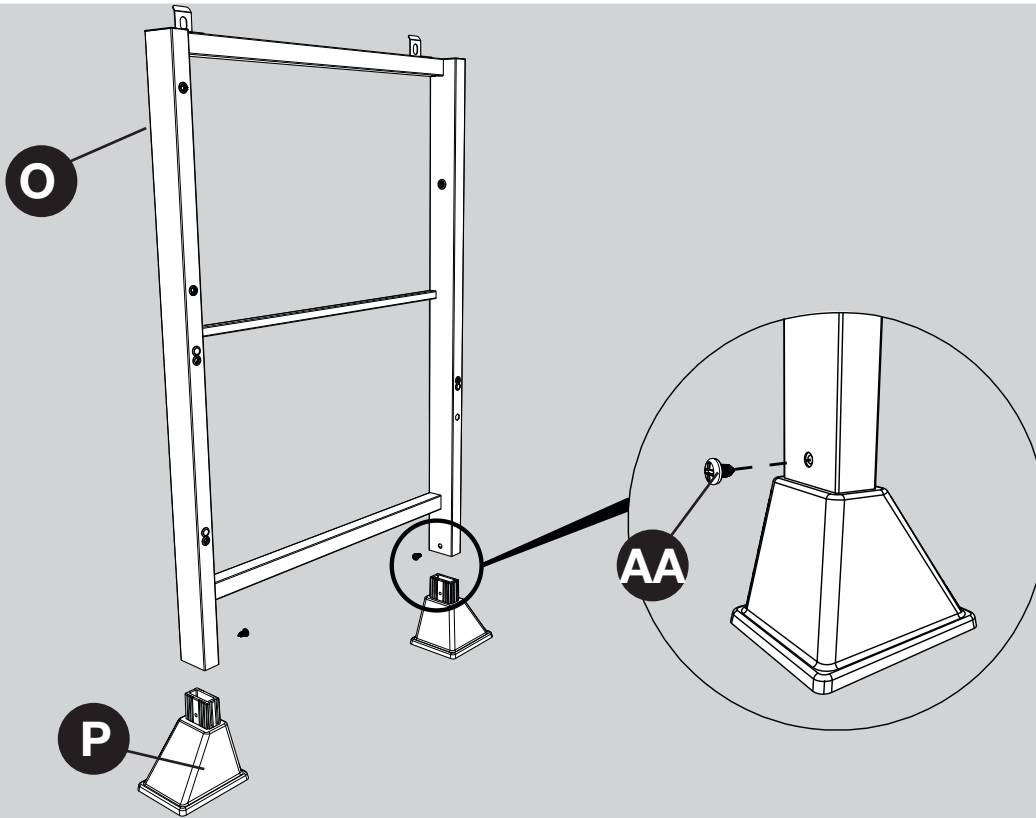
Se requieren dos personas para un ensamblaje segura. Algunas partes pueden presentar bordes filosos. Utilice guantes de pratección si es necesario. Lea y siga todas las indicaciones de seguridad, advertencias, instrucciones de ensamblaje, usa y cuidado antes de ensamblar y usar.



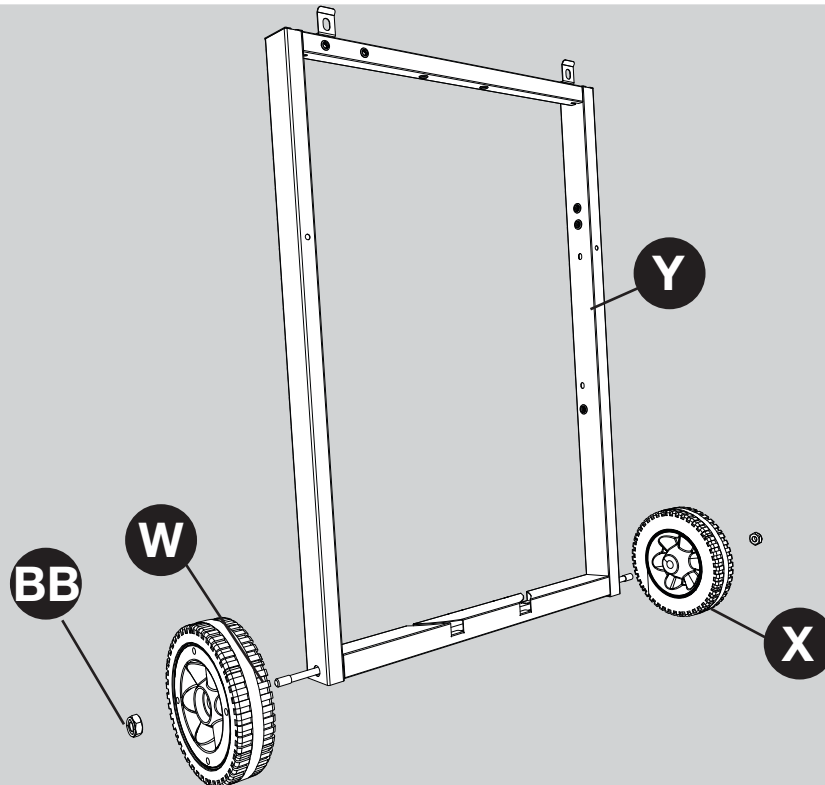
Herramientas necesarias para el ensamblaje y la prueba de fugas (no se incluyen): Destornillador Phillips, botella con atomizador

Instrucciones de ensamblaje

1 Montaje – pata izquierda

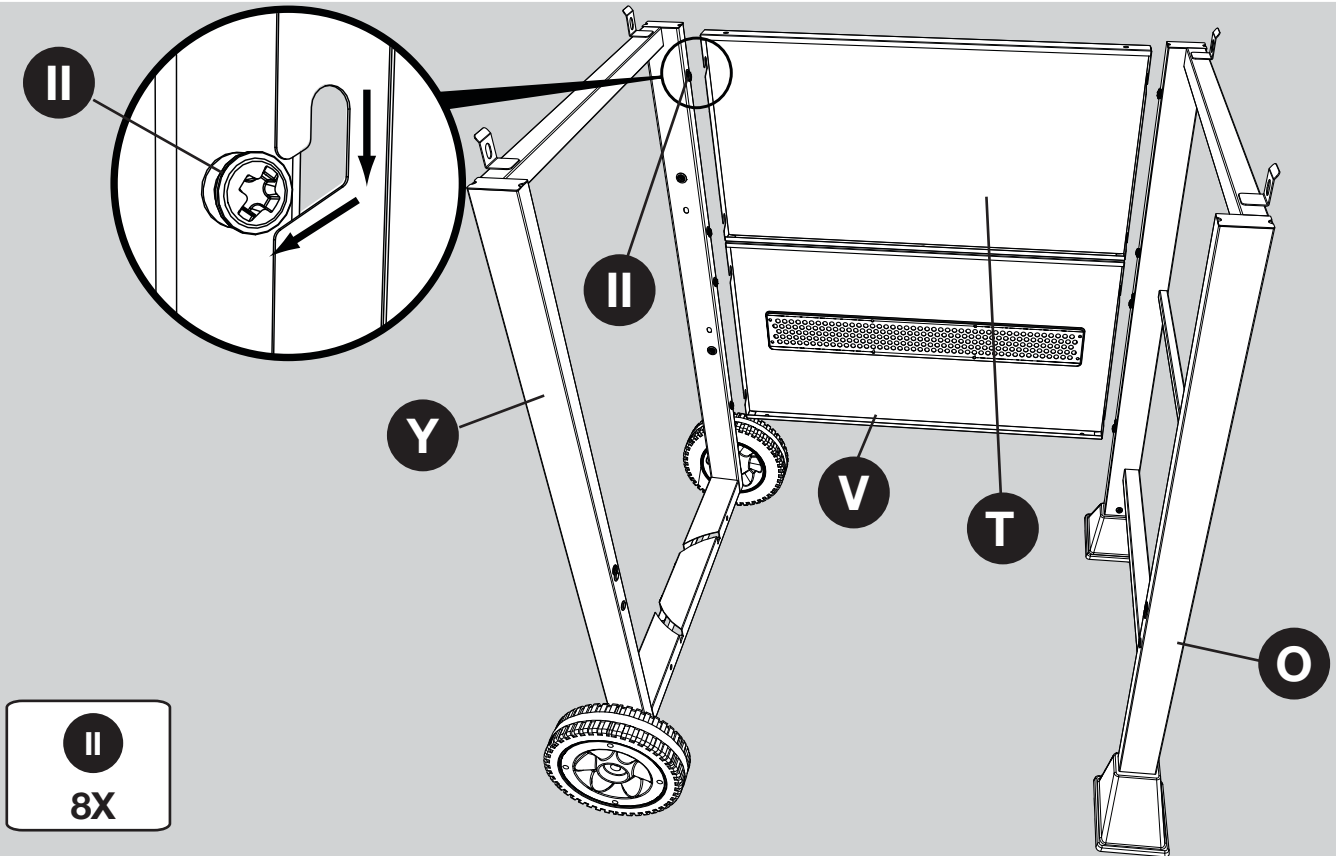


2 Asamblea – pierna derecha



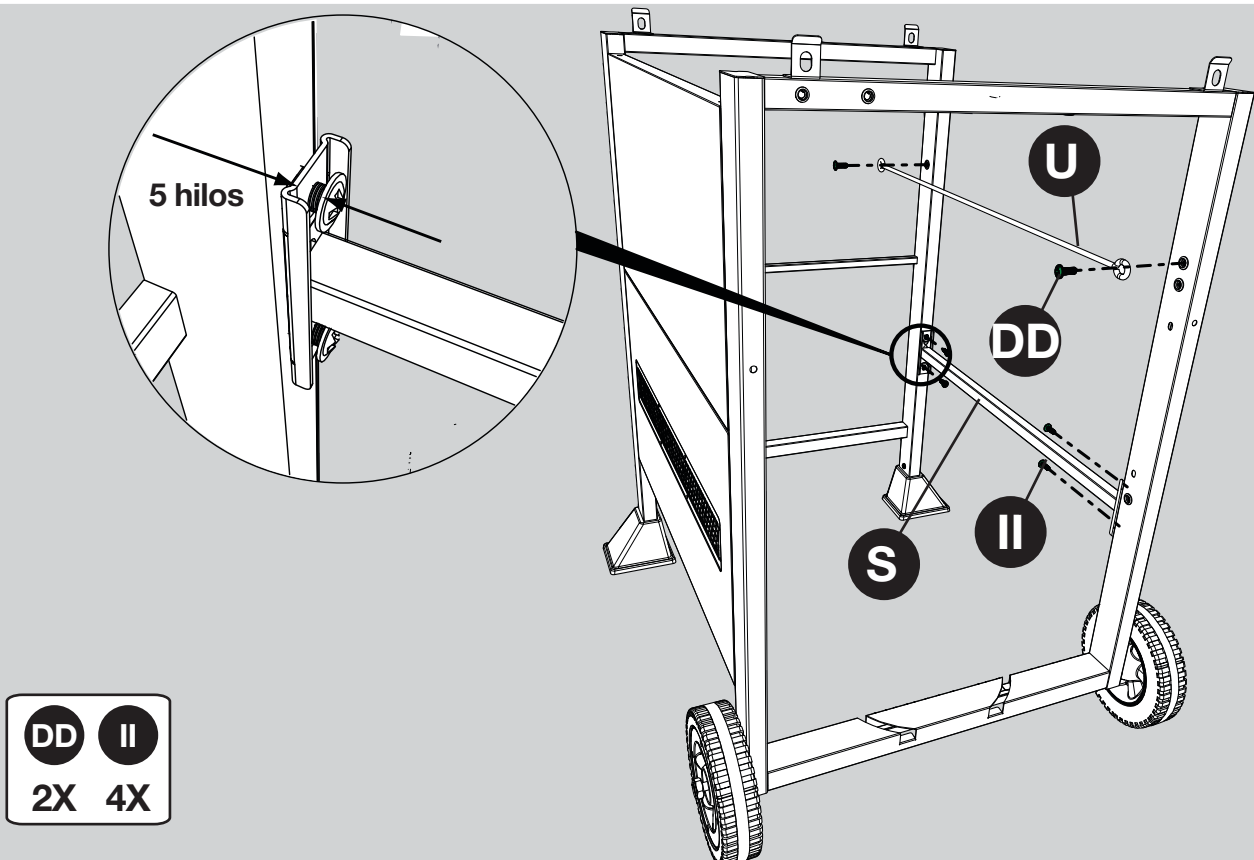
3

Montaje – paneles frontales de carro



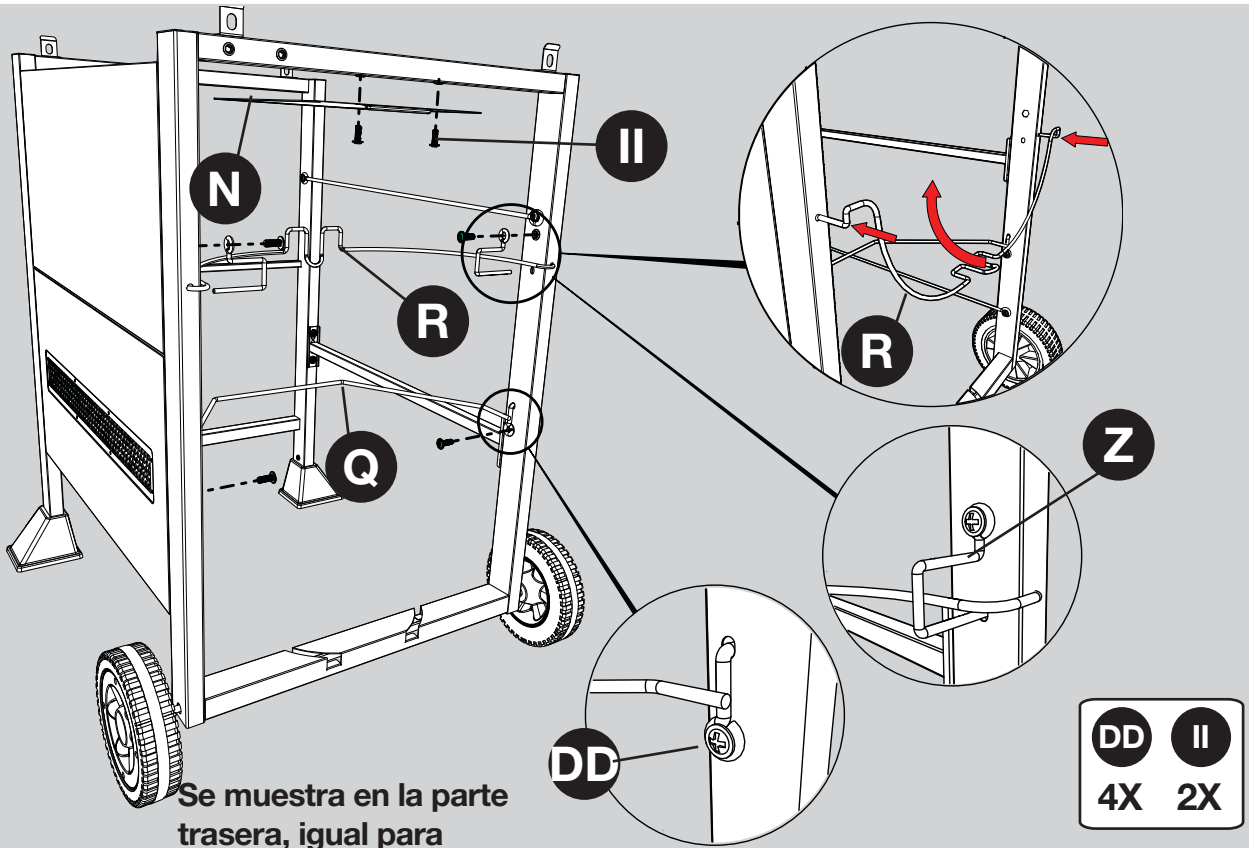
4

Ensamblaje – barra exclusión trasera, soporte trasero del carrito



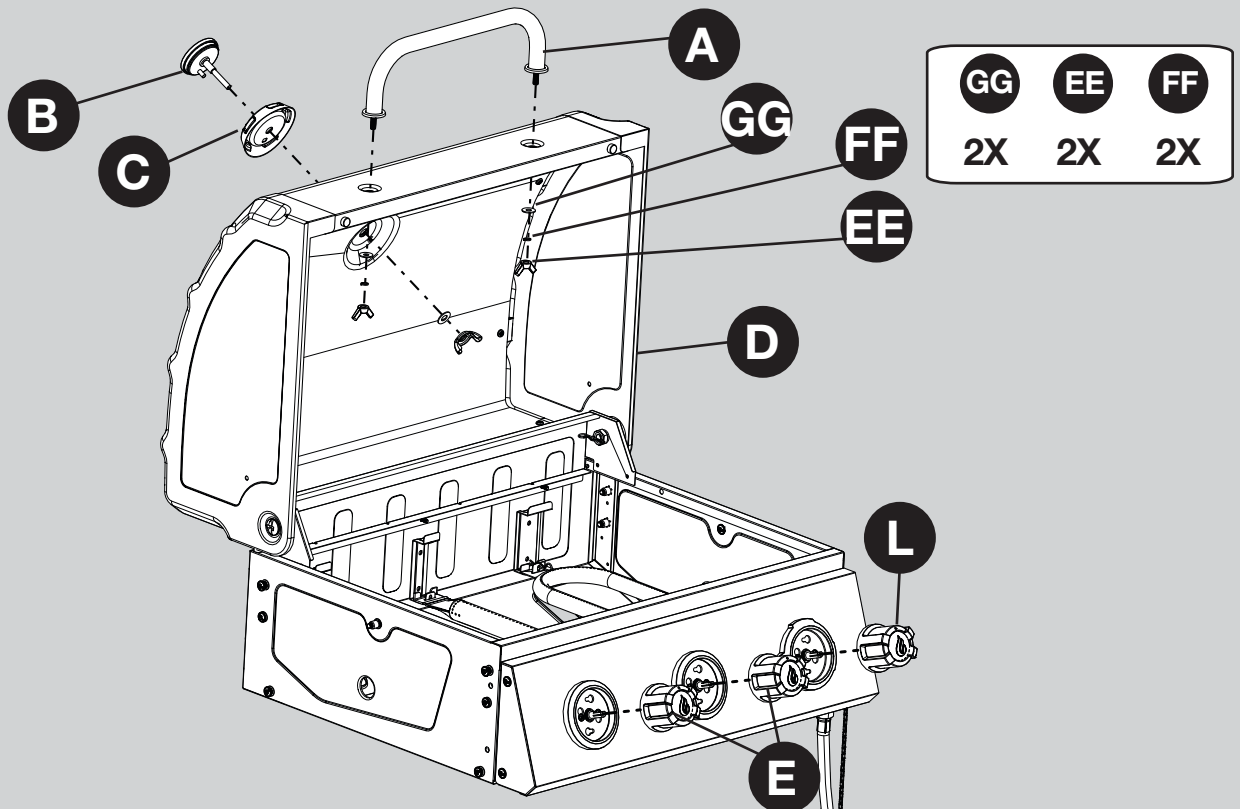
5

Ensamblaje – refuerzo de tanque y barra de exclusión lateral



6

Ensamblaje – mango, perillas y medidor de temperatura



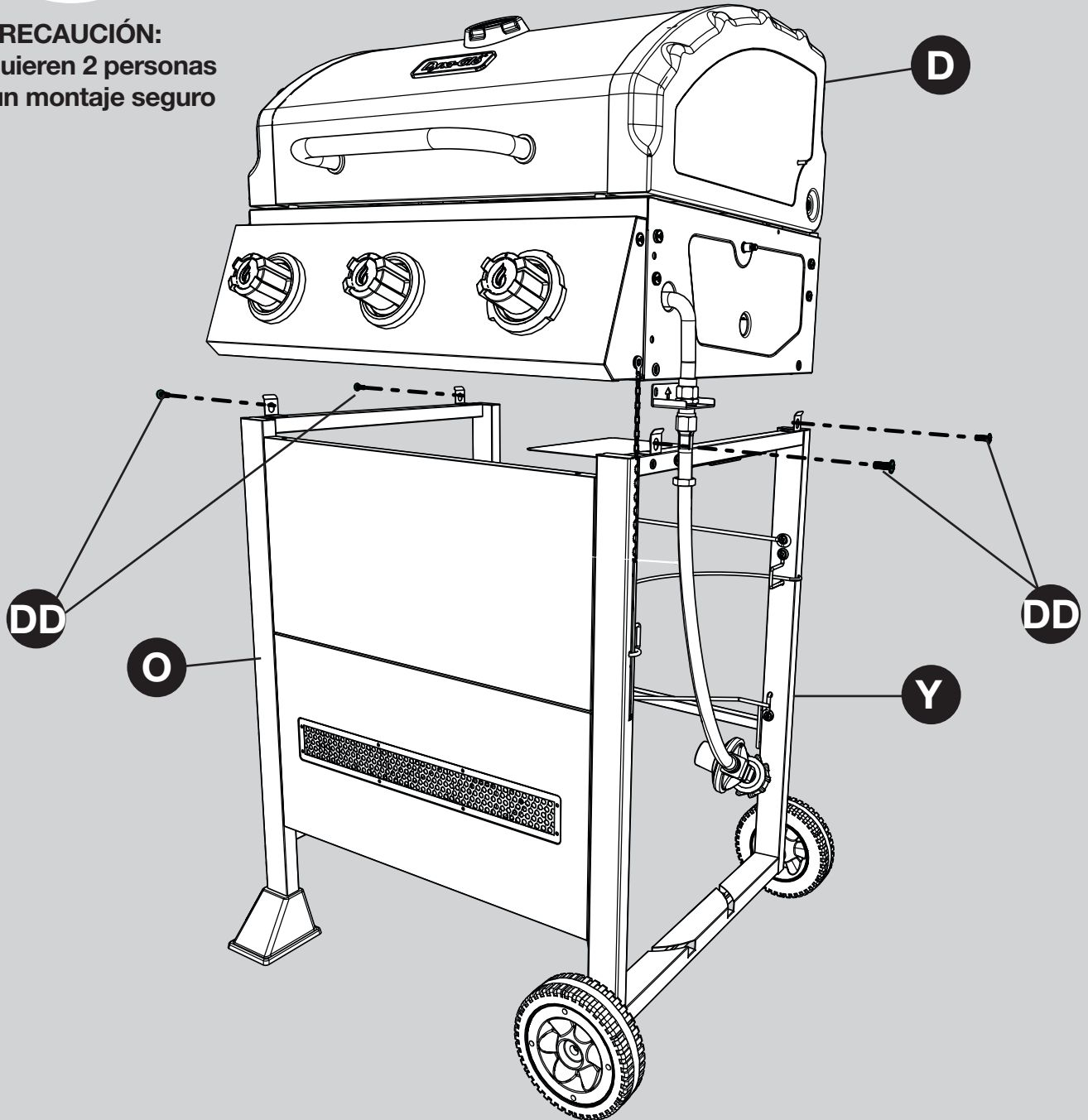
7

Asamblea – el cuerpo de la parrilla a la base



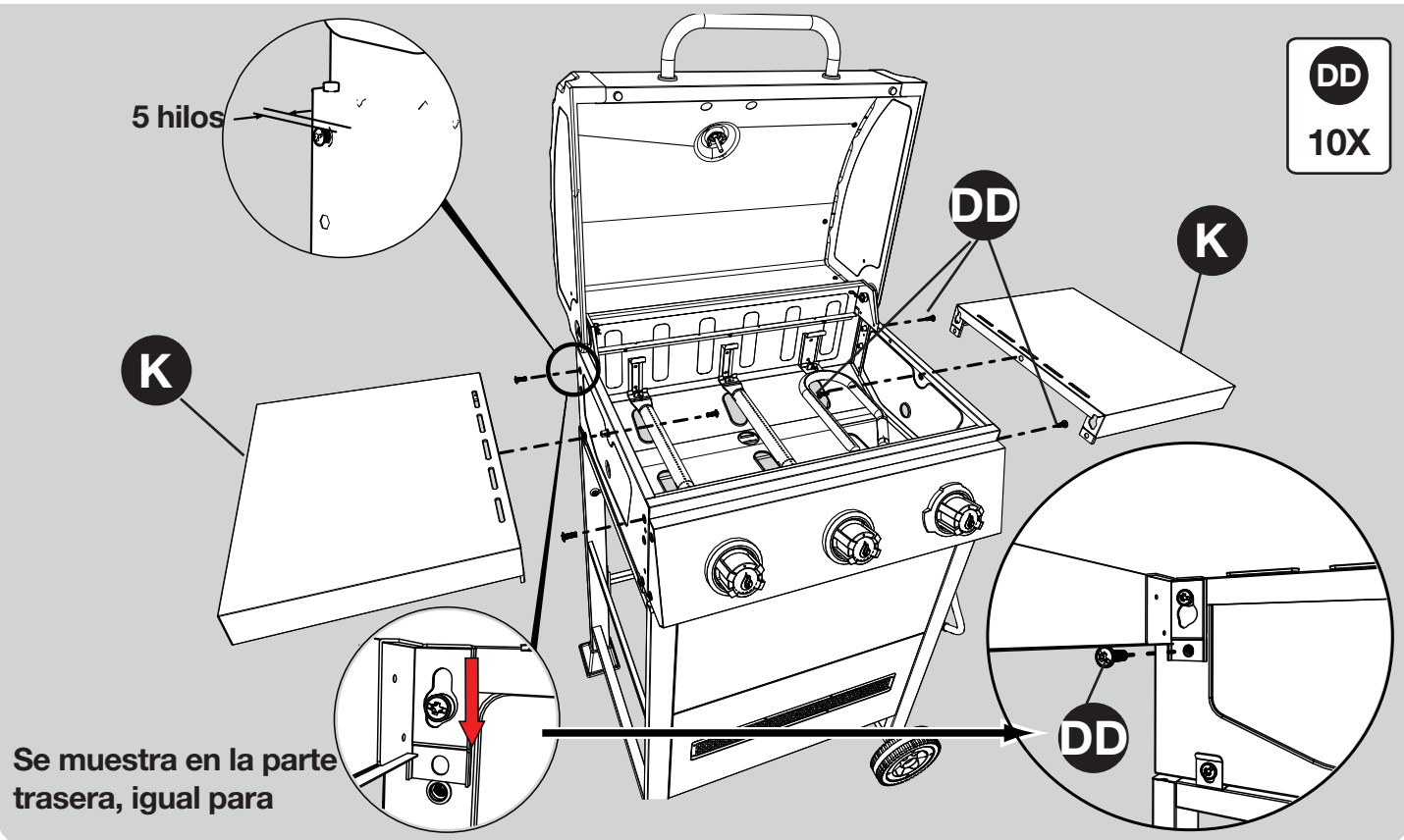
DD
4X

PRECAUCIÓN:
se requieren 2 personas
para un montaje seguro

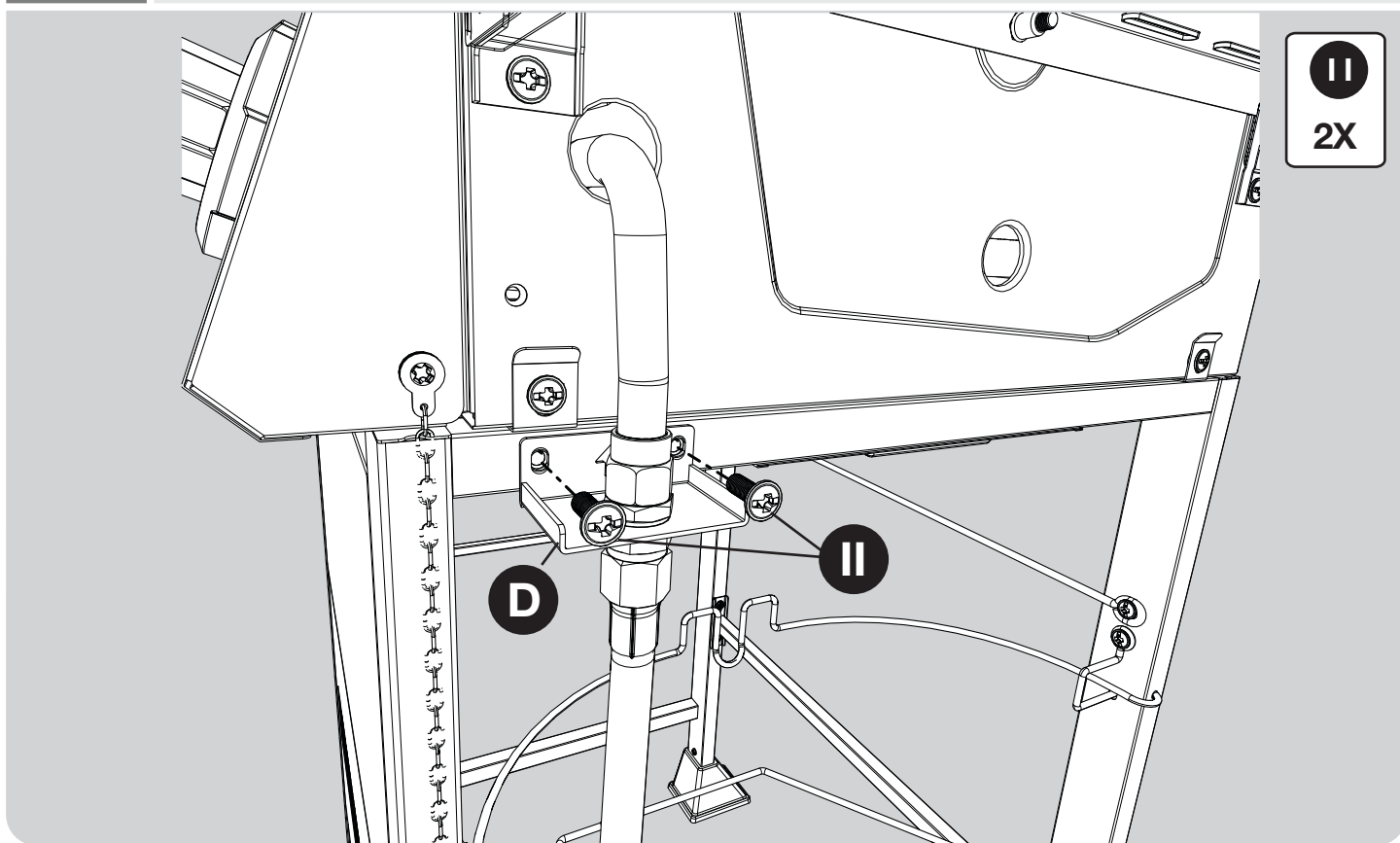


NOTA: apriete completamente todas las tuercas del panel delantero y los tornillos de la abrazadera trasera en este momento.

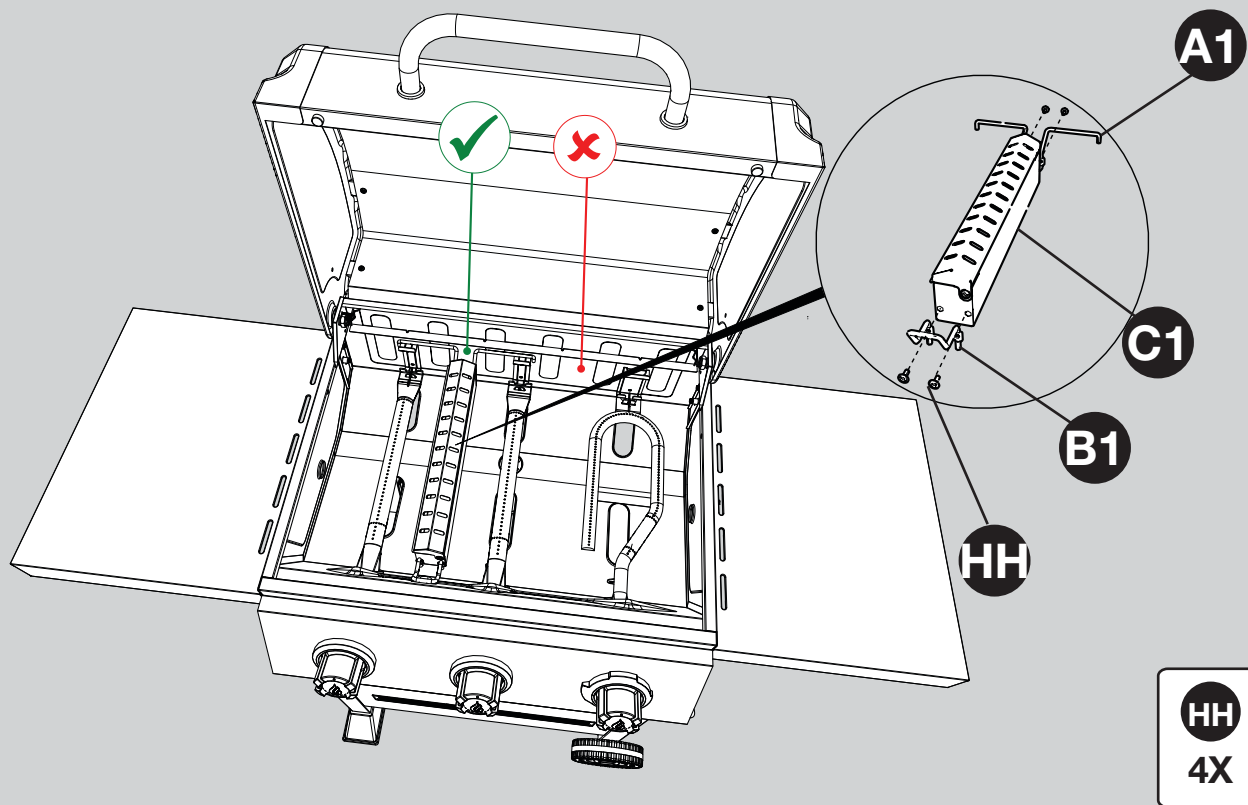
8 Ensamblaje – mesa lateral



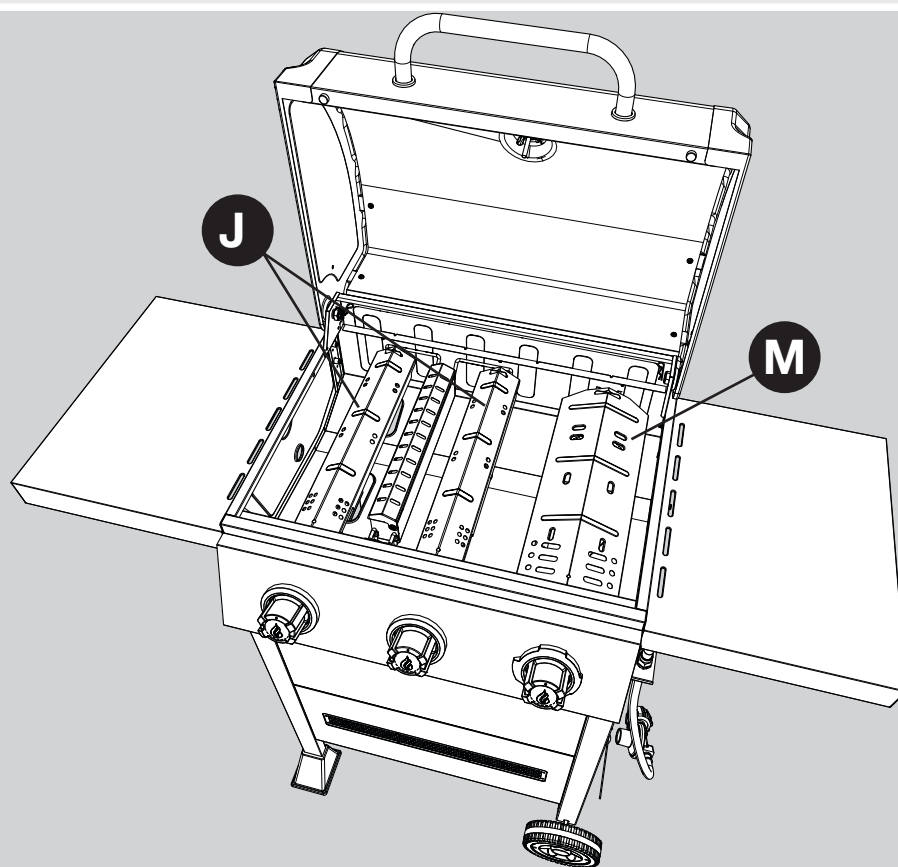
9 Ensamblaje – accesorios de manguera



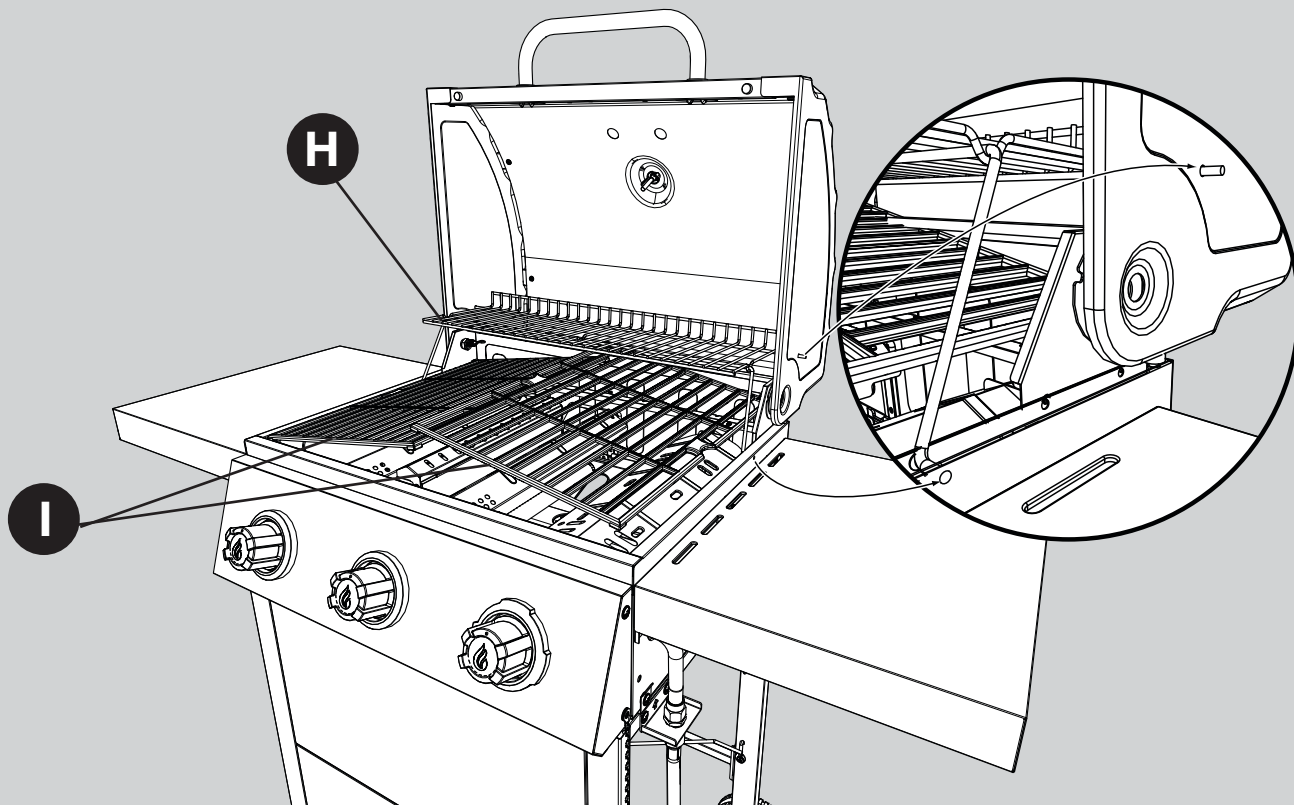
10 Ensamblaje – caja de fumador opcional



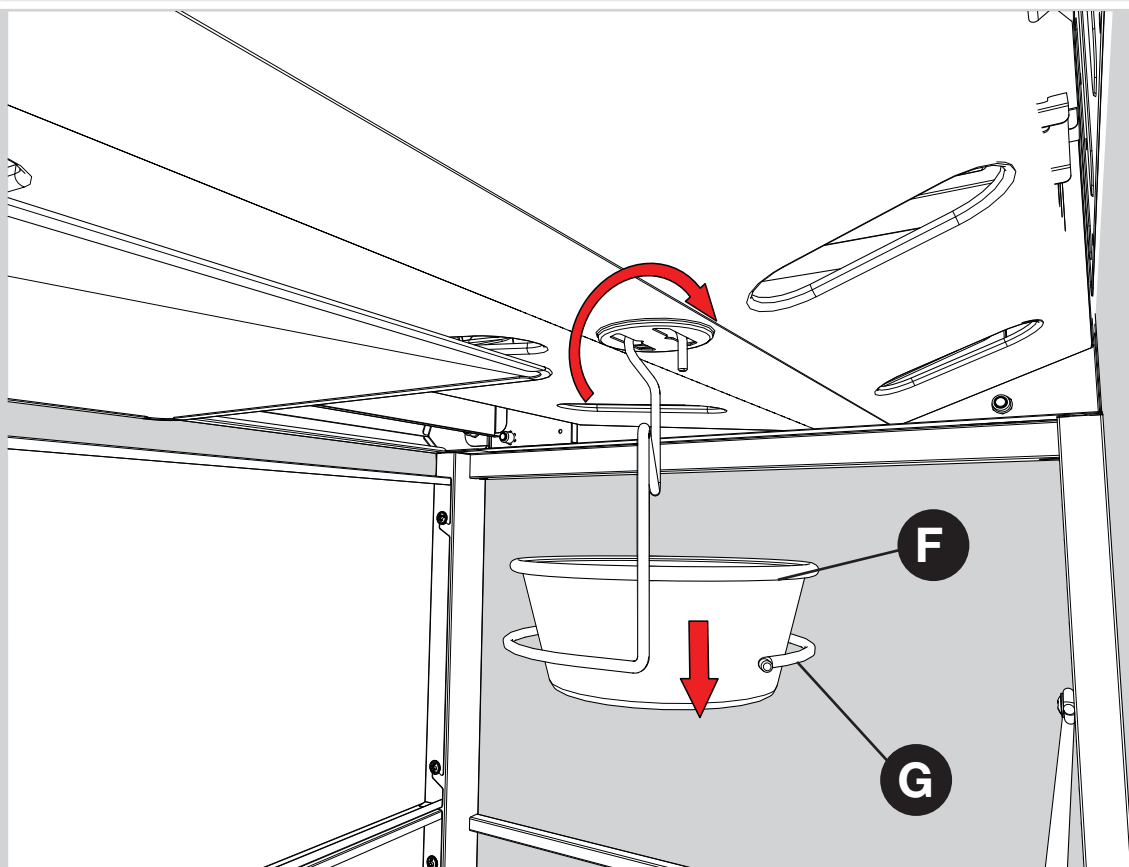
11 Ensamblaje – tiendas de calor

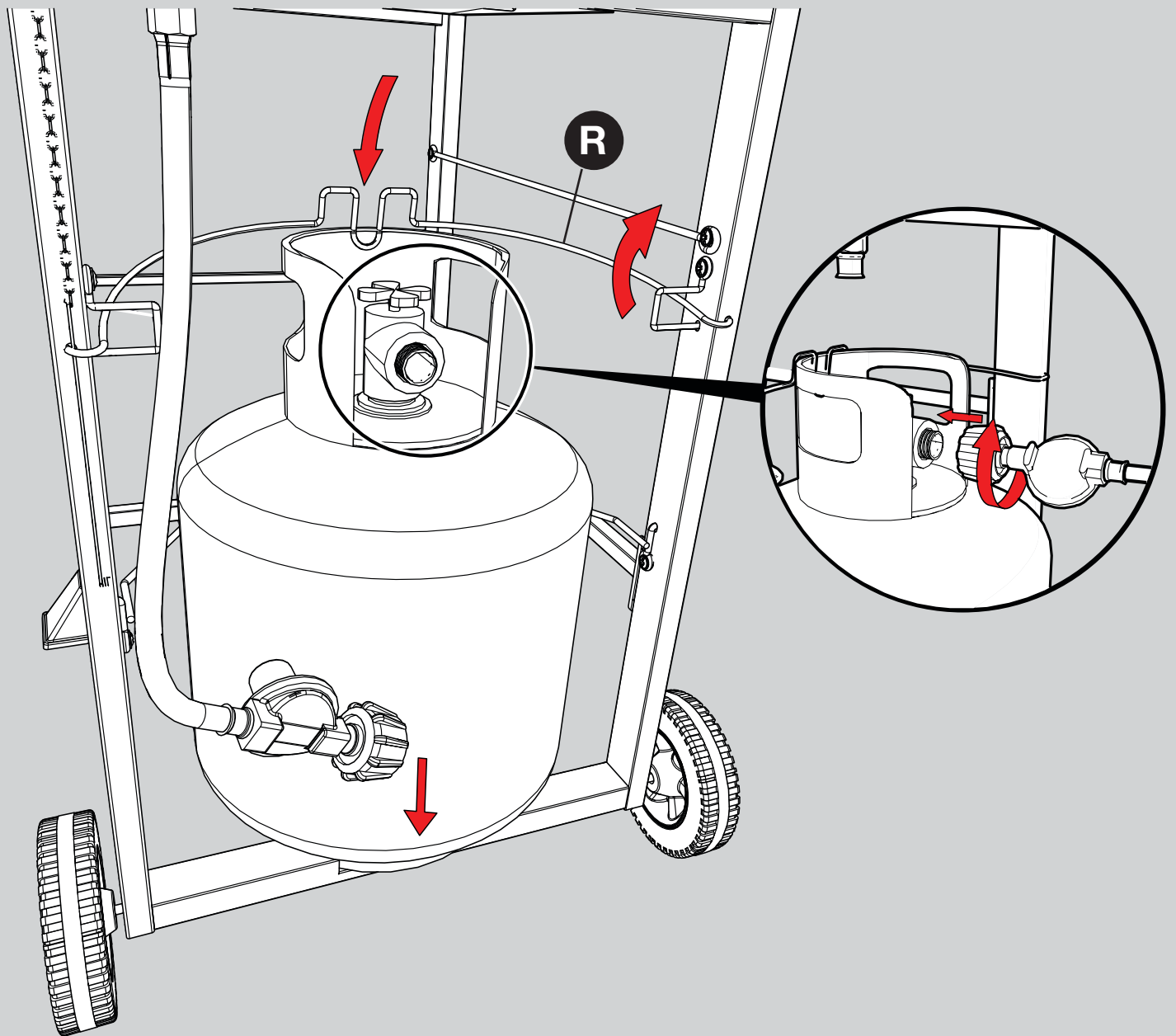


12 Ensamblaje – rejillas de rack y cocción



13 Ensamblaje – Taza de grasa





Instrucciones de funcionamiento

Búsqueda de fugas

Después de hacer todas las conexiones, verifique que ninguna de las conexiones y los conectores de la válvula del tanque de gas PL, la manguera de gas ni el regulador tenga fugas con una solución de agua y jabón.

Para evitar incendios o explosiones al revisar una fuga:

- Siempre realice la prueba de fuga antes de encender la parrilla.
- No fume durante la prueba de fuga.
- Siempre realice las pruebas de fugas en exteriores, en un área bien ventilada.
- No utilice ninguna fuente de llamas la realizar la prueba de fugas.
- No use la parrilla hasta que haya corregido todas las fugas.
- Si no puede corregir una fuga, desconecte el suministro de propano y llame a un proveedor de servicios de electrodomésticos a gas.

Realización de una prueba de fugas

- Prepare una solución de prueba de fugas mezclando 1 parte de detergente líquido para platos y 3 partes de agua. La solución total necesaria es de aproximadamente 59,15 a 88,72 ml (2 a 3 oz). Coloque la solución para pruebas de fuga en una botella con atomizador.
- Asegúrese de que todas las perillas de control estén en la posición O APAGADO.
- Conecte la manguera de gas al suministro de gas.
- Abra la válvula del tanque de gas PL.
- Rocíe la solución para pruebas de fugas en todas las conexiones y los conectores por donde circule gas. La presencia de burbujas donde se aplicó la solución para pruebas indica una fuga de gas. Si detecta fugas o huele u oye gas, cierre el tanque de gas PL inmediatamente y repare o reemplace la pieza defectuosa. No use la parrilla hasta que haya corregido todas las fugas.

PRECAUCIÓN

Use solamente el ensamble del regulador y la manguera incluido. Si necesita un repuesto, llame a nuestro centro de servicio al cliente. No use piezas de repuesto que no están diseñadas para esta parrilla.

ADVERTENCIA

TODAS LAS INSTRUCCIONES Y PRECAUCIONES EN ESTA PÁGINA DEBE SEGUIR PARA EVITAR UN INCENDIO, DAÑOS Y / O LESIONES.

Instrucciones de funcionamiento

Conexión del cilindro de gas

El cilindro de suministro de gas propano que se utilizará debe estar fabricado y marcado según las Specifications for LP-Gas Cylinders of the U.S. Department of Transportation (D.O.T.) or the National Standard of Canada, CAN/CSA-B339, Cylinders, Spheres and Tubes for Transportation of Dangerous Goods; and Commission, según corresponda; y debe incluir un dispositivo de prevención de sobrellenado homologado.

Sólo use cilindros de 9 kg (altura 45.7 cm, diámetro del tanque 31 cm, diámetro de la base: 20,40 cm) equipado con un dispositivo de conexión para el cilindro compatible con la conexión para electrodomésticos para cocinar en exteriores. El cilindro debe incluir un anillo para proteger su válvula. No debe dejar caer el cilindro de gas ni manipularlo bruscamente.

Si no utiliza el electrodoméstico, debe desconectar el cilindro de gas. Puede almacenar la unidad en el interior SÓLO si desconecta y retira el cilindro del electrodoméstico. Los cilindros se deben almacenar en el exterior, fuera del alcance de los niños, y no deben almacenarse en un edificio, garaje o cualquier otra área cerrada. El cilindro nunca se debe almacenar en lugares en que las temperaturas puedan superar los 51,6 °C.

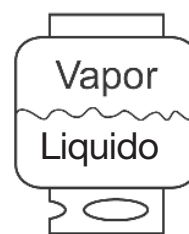
Coloque la tapa en la salida de la válvula del cilindro cuando no esté en uso. Sólo instale el tipo de tapa que se proporciona con la válvula del cilindro en la salida de la válvula del cilindro. Otros tipos de tapas o tapones pueden causar una fuga de propano. Antes de la conexión, asegúrese de que no haya suciedad en la salida del cilindro de gas, la salida de la válvula del regulador o en la salida y los orificios de los quemadores. Conecte la válvula del regulador y apriete firmemente con la mano. Mantenga la válvula del cilindro de propano cerrada y desconecte el cilindro de propano de la válvula del regulador cuando no use la parrilla. NO obstruya el flujo del aire de combustión y del aire de ventilación a la parrilla. El cilindro de propano debe estar arreglado para extracción de vapor y equipado con un dispositivo de prevención de sobrellenado homologado. Coloque el cilindro en la orientación correcta para realizar la extracción de vapor. NOTA: El cilindro debe estar completamente vertical para que el cilindro sólo tenga extracción de vapor.



Correcto



Incorrecto



Incorrecto

PRECAUCIÓN

- a. No almacene un cilindro de gas PL de reserva debajo o cerca de este electrodoméstico.
- b. Nunca llene el cilindro a más del 80% de su capacidad.
- c. Si no sigue con precisión la información en (a) y (b), puede provocar un incendio que produzca lesiones graves o la muerte.





Instrucciones de funcionamiento

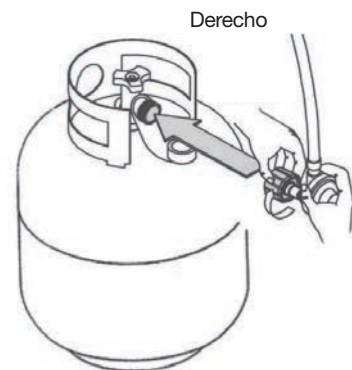
NOTA: Es posible que otros cilindros sean aceptables para su uso con este electrodoméstico si es que son compatibles con el orificio de alojamiento y los medios de retención del electrodoméstico. Consulte el Paso 15 de las Instrucciones de ensamblaje para conocer la conexión correcta del cilindro al soporte del cilindro.

ADVERTENCIA

SE DEBEN SEGUIR TODAS LAS INSTRUCCIONES Y MEDIDAS DE SEGURIDAD DE ESTA PÁGINA PARA EVITAR INCENDIOS, DAÑOS Y/O LESIONES.

CONEXIÓN DEL TANQUE DE GAS PROPANO

1. La perilla del tanque de gas propano debe estar cerrada. Asegúrese de girar la perilla en sentido de las manecillas del reloj  propano debe estar cerrada. Asegúrese de girar la perilla en sentido de las manecillas del reloj hasta que se detenga por completo. Se debe adaptar el sistema de suministro del cilindro para la extracción de vapores.
2. Verifique que la perilla de control en la unidad de control esté apagada.
3. Retire la tapa protectora de la válvula del tanque de gas propano y la tuerca del conector.
4. Sostenga el regulador con una mano e inserte la boquilla en la salida de la válvula. Asegúrese de que la boquilla esté centrada en la salida de la válvula.
La tuerca del conector se conecta a las roscas externas grandes en la salida de la válvula. Tenga cuidado, no dañe las roscas de la conexión.
5. Apriete a mano la tuerca del conector en sentido de las manecillas del reloj  hasta que se detenga por completo. Apriete bien, a mano solamente. No use herramientas.
6. Para desconectar: Cierre completamente la válvula del tanque girándola de las manecillas del reloj . Gire la tuerca de acoplamiento contraria a las manecillas del reloj  hasta que el regulador se separe de montaje.



ADVERTENCIA

En el proceso de conexión, asegúrese de que:

- El conector de entrada del regulador coincida con la salida de la válvula del cilindro de manera correcta, segura y firme, y;
- La manguera de gas propano no entre en contacto ni permanezca en contacto con la cámara de combustión.

Instrucciones de funcionamiento

Encender la parrilla

Antes del primer uso:

Retire todos los ahorcamientos o correas de plástico, si está presente. Antes de cocinar en la parrilla de gas nuevo, es importante para limpiar su parrilla con el calor. Para ello, utilice el grill durante unos 15 minutos con la tapa cerrada y el botón de control en la posición más alta. Esto va a limpiar las partes internas de la quema de los residuos y el olor del proceso de fabricación.

⚠ PRECAUCIÓN

Si la llama se apaga de manera accidental durante el encendido o el funcionamiento, **CIERRE** la válvula del cilindro y la perilla de control de inmediato..

⚠ ADVERTENCIA

No se incline sobre la parrilla al encenderla. Lea las instrucciones antes de encender la parrilla.

1. Verifique que las perillas de control están en la posición **O** de apagado.
2. Abra completamente la válvula del tanque girándola en el sentido inverso a las manecillas ↺ del reloj.
3. Abra la tapa durante el encendido.
4. Presione y gire la perilla de control en dirección contraria a las manecilla del reloj ↺ desde la posición **O** de apagado, pasando por la posición de encendido ⚡, hasta la posición alta 🔥 para los quemadores principales y 🔥 para el quemador SearPLUS™. Puede ser necesario repetir este paso varias veces para encender el quemador. Si no se enciende después de 5 segundos, **O** apague el control , espere 5 minutos y repita el procedimiento de encendido.

Si el quemador continúa sin encenderse, verifique que el cilindro tiene gas y siga las instrucciones de encendido con fósforos.

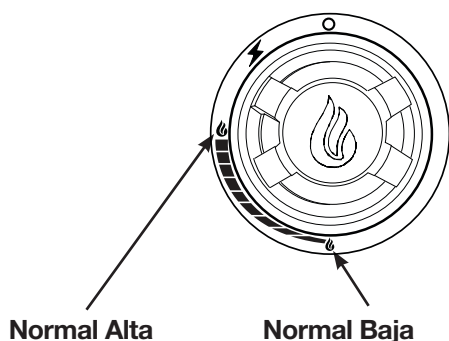
Cocina:

Después de la iluminación, ajuste el quemador, incluido el quemador SearPLUS™, de la posición alta (🔥) a baja (🔥) para temperatura de cocción.

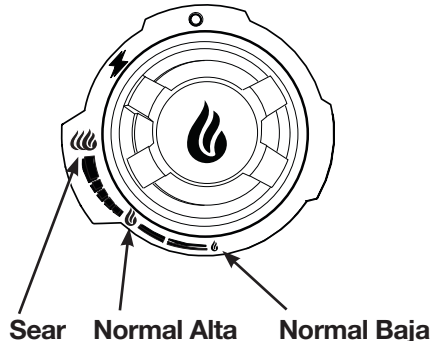
Alimentación abrasador con el quemador SearPLUS™:

Para la comida Sear, utilice el quemador SearPLUS™ con el mando de control rojo, que tiene una temperatura más alta rango que los otros quemadores. Después de la iluminación, ajuste la perilla de control del quemador SearPLUS™ a Sear Position (🔥) y coloque los alimentos en la rejilla del Sear directamente sobre el quemador SearPLUS™.

Perilla de control regular



Perilla de control para el quemador SearPLUS™



Instrucciones de funcionamiento

Encendido de la parrilla con un fósforo

1. Abra la tapa.
2. Coloque un fósforo en el extremo del contenedor de fósforos instalado en el interior de la puerta del gabinete.
3. Encienda el fósforo.
4. Inmediatamente introduzca el fósforo encendido en el orificio de 1,91 cm (0,75") del costado del cuerpo de la parrilla que esté más cerca del quemador que desea encender. Asegúrese de que el fósforo encendido esté cerca de los orificios del quemador.
5. Presione la perilla de control que acciona el quemador y gírela en sentido contrario a las agujas del reloj ↶ hasta la posición de llama máxima 🔥 para los quemadores principales y 🔥 para el quemador SearPLUS™ que deberían encenderse inmediatamente.
6. Repita los pasos 2-5 para encender quemadores adicionales.
7. Ajuste los quemadores según el nivel de cocción deseado.

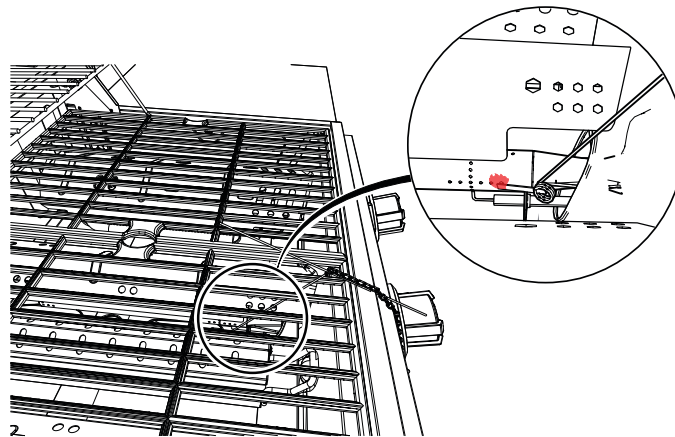
⚠ PRECAUCIÓN

Si la llama se extingue accidentalmente durante el encendido o el funcionamiento, **CIERRE** inmediatamente la válvula de cierre de gas manual y luego **APAGUE** la perilla de control.

⚠ ADVERTENCIA

Si el encendido no se produce en 5 segundos, ponga en posición de apagado **O** los controles del quemador. Espere 5 minutos y repita el procedimiento de encendido.

cerillos/fósforos



Instrucciones de Apagado

1. Gire las perillas de control en la ↷ dirección de las manecillas del reloj hacia la posición **O** Apague.
2. Cierre la válvula del tanque completamente girándola en la ↷ dirección de las manecillas del reloj.
3. Cierre la tapa.

Corte el suministro de gas propano en el cilindro cuando no utilice el electrodoméstico.

Cuidado y mantenimiento

Rejillas de cocción

El mejor momento para “quemar” la suciedad las rejillas de cocción es después de cada uso (aproximadamente 15 minutos). La parrilla ya está caliente desde la cocción, por lo tanto, requiere menos combustible para obtener la temperatura necesaria para “quemar” la suciedad.

Para “quemar” la suciedad o limpiar con calor la parrilla, gire los quemadores a la posición máxima y déjelos encendidos durante 15 minutos con la tapa cerrada. Luego apague los quemadores y use un cepillo de alambre para limpiar el exceso de residuos de alimentos de las rejillas.

Las rejillas de porcelana tienen un acabado de esmalte (similar al vidrio) y deben manejarse con cuidado para evitar que se astille.

PRECAUCION

Asegúrese de que la parrilla esté fría antes de limpiar y realizar mantenimiento y de que tenga el suministro de gas cortado en la válvula de cierre de gas manual.

Artículos De Limpieza Recomendados

Detergente líquido suave para platos, agua tibia, almohadilla de limpieza de nailon, cepillo de alambre. NO use limpiadores que contengan ácido, aguarrás ni ninguna sustancia abrasiva.

Superficies Exteriores

Se recomienda usar sólo detergente para platos suave y agua caliente para limpiar la parrilla y sus piezas. Enjuague con agua tibia.

Bandeja Inferior Interior Del Cuerpo De La Parrilla

Para evitar llamaradas, la bandeja inferior de la cámara de cocción se debe mantener limpia de forma regular. Retire los residuos con un cepillo, raspador y/o almohadilla de limpieza. Lave con detergente para platos suave y agua tibia. Enjuague con agua tibia. Evite salpicar agua en los tubos venturi de los quemadores.

Cámaras De Calor

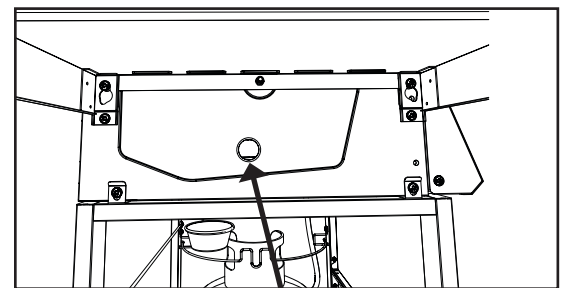
Limpie los residuos con un cepillo de alambre y lave con detergente para platos suave y agua tibia. Enjuague con agua tibia.

Recipiente De Grasa

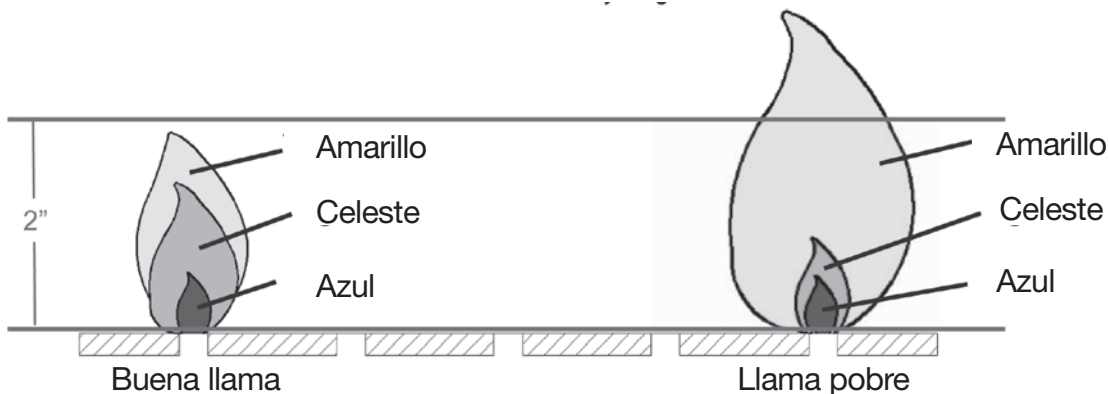
Vacíe el recipiente de grasa y limpie con detergente para platos suave y agua tibia de forma regular.

Verificación De La Llama

Para una máxima eficiencia del combustible y rendimiento de cocción, la llama debe ser en su mayoría o totalmente de color azul y medir entre 2,54 y 5,08 cm de alto. Para verificar la llama, vea la llama a través del orificio de encendido con fósforo en el costado de la cámara de combustión.



Agujero para ver la llama



Cuidado y mantenimiento

Ensamble del quemador

Extracción Del Ensamble Del Quemador

1. Asegúrese de que todas las perillas de control se encuentran en la posición de OFF, que la válvula del tanque de PL está cerrada y que el tanque está desconectado del regulador y alejado de la parrilla.
2. Abra la tapa y retire la rejilla para calentar, conjunto del ahumador, caja de fumador, las rejillas de cocción, y las cámaras de calor.
3. Retire los pasadores de chaveta en la parte posterior de los quemadores para separar los quemadores de soportes como se ilustra en la Figura 1.
4. Quite los quemadores principales y el quemador SearPLUS™ de la cámara de combustión.
5. Separe el cable de encendido del electrodo en la Figura 2.

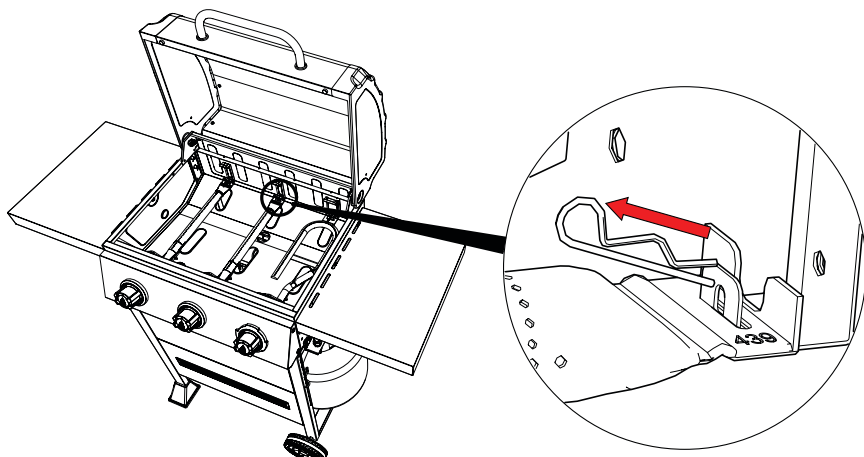
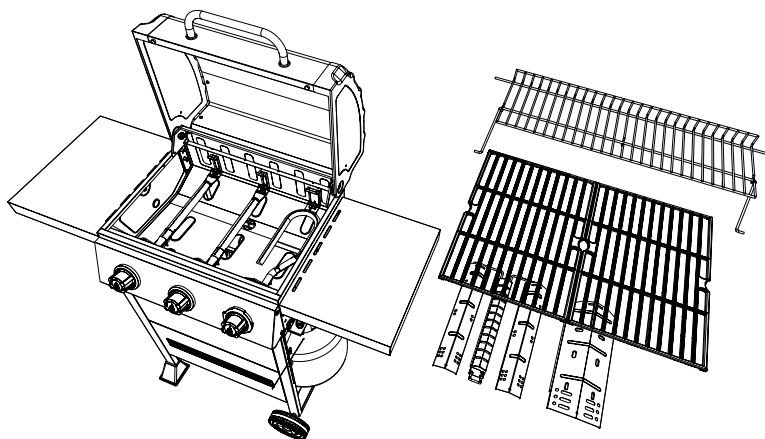


Figura 1

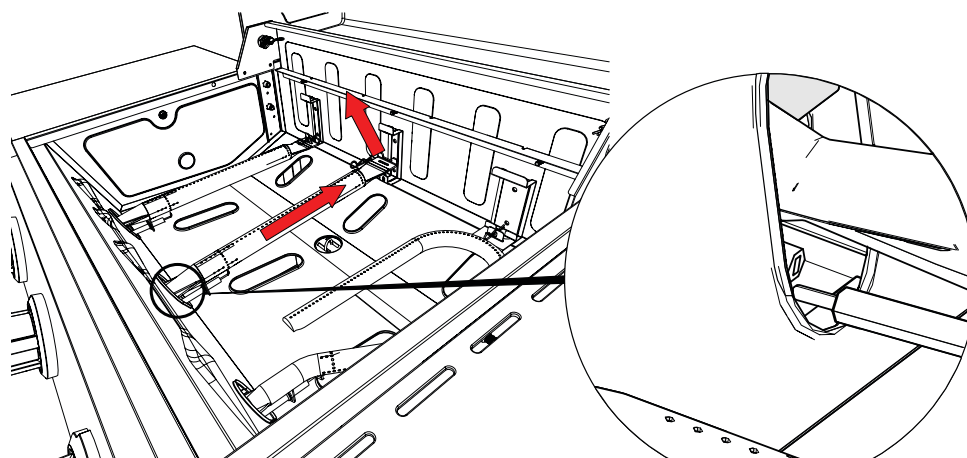


Figura 2

Cuidado y mantenimiento

⚠ ADVERTENCIA

Si no siguen las instrucciones que aparecen anteriormente, podría producirse un incendio o una explosión y causar lesiones graves o la muerte.

Limpeza del ensamble del quemador – Asegúrese de que la parrilla esté fría.

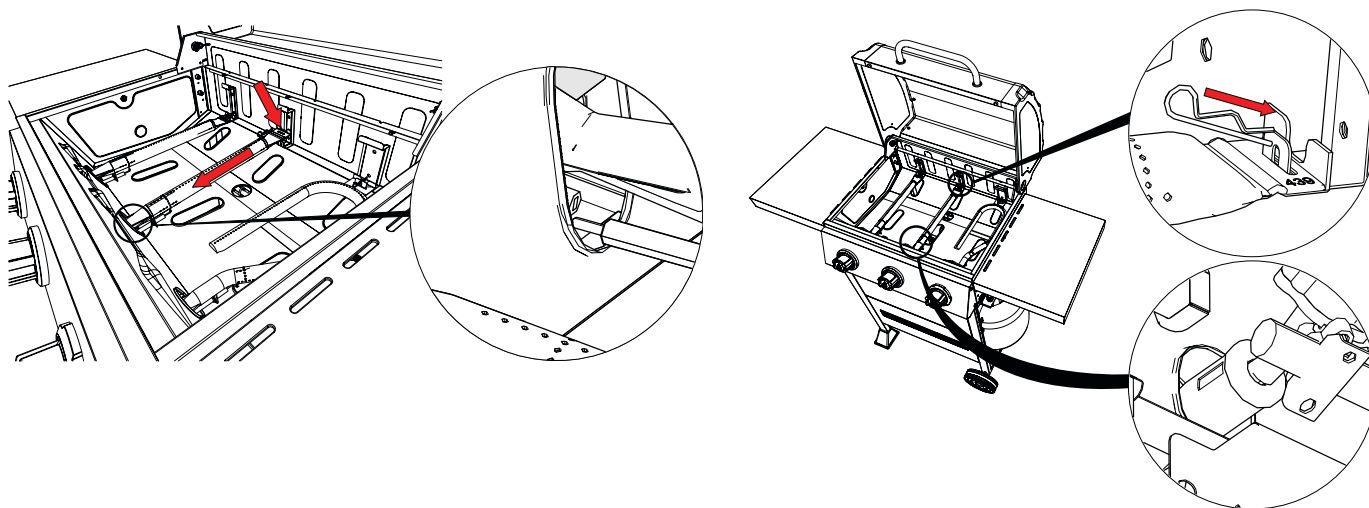
1. Asegúrese de que todos los orificios del quemador estén libres de obstrucciones. Utilizar un pasador o sujetapapeles funciona bien.
2. Asegúrese de que el quemador no tenga ningún daño. Si el quemador está dañado, reemplácelo por uno nuevo.
3. Asegúrese de que el extremo del quemador y la pantalla para aire primaria estén libres de nidos de insectos, polvo o desechos.

Reinstalación del quemador

Asegúrese de que los orificios estén en la posición correcta dentro de la entrada (venturi) del quemador.

Es posible que necesite una linterna para garantizar la posición correcta.

Se recomienda ver la posición correcta por los orificios de ventilación de la cámara de combustión como se ilustra a continuación.



Otros cuidados y mantenimiento

Se recomienda que un técnico calificado realice una inspección y mantenimiento anual en este electrodoméstico.

Se recomienda que verifique regularmente que no haya materiales combustibles, gasolina ni otros vapores o líquidos inflamables cerca de la zona donde está el electrodoméstico para cocción a gas para exteriores.

Se recomienda que verifique regularmente que el flujo de aire de combustión y ventilación no esté obstruido.

Se recomienda que verifique regularmente que no haya desechos en las aberturas de ventilación del compartimiento del cilindro (gabinete).

Se recomienda que verifique y limpie regularmente el quemador y los tubos venturi para que no haya nidos de insectos. Un tubo obstruido puede ocasionar un incendio debajo de la parrilla.

Solución de Problemas

Si tiene preguntas relacionadas con el producto, llame al Servicio al Cliente al 1-877-447-4768, 8:00 a.m. - 4:30 p.m. CST, de lunes - viernes.

PROBLEMA	CAUSA POSIBLE	CORRECTIVA ACCIÓN
El quemador no se enciende con el procedimiento del encendedor (se genera una chispa débil o no se genera ninguna).	<ol style="list-style-type: none"> 1. El electrodo del encendedor puede estar cubierto de grasa o residuos. 2. El electrodo del encendedor puede tener un cable suelto o desconectado. 3. El electrodo del encendedor está roto o descompuesto. 	<ol style="list-style-type: none"> 1. Limpie el electrodo del encendedor. 2. Verifique la conexión y vuelva a conectar cualquier cable suelto o desconectado. 3. Reemplace el electrodo del encendedor (consulte la lista de piezas de repuesto).
El calor es bajo.	<ol style="list-style-type: none"> 1. Hay una presión de gas insuficiente en la unidad. 	<ol style="list-style-type: none"> 1. Llame a una agencia de servicio calificada para verificar la presión de suministro de gas y corrija la presión.
Llamaradas excesivas.	<ol style="list-style-type: none"> 1. Hay grasa y/o residuos acumulados en las cámaras de calor o en la cámara de combustión. 2. Hay un goteo de grasa o marinado desde los alimentos. 3. La temperatura de cocción es demasiado alta. 	<ol style="list-style-type: none"> 1. Limpie los componentes de la parrilla. 2. Corte la grasa de la carne y use marinados que no sean a base de aceite. 3. Baje la temperatura según corresponda.
El quemador no se luz con un fósforo.	<ol style="list-style-type: none"> 1. El fósforo no alcanza los quemadores (al sostenerlo con la mano). 2. El suministro de gas está cerrado. 3. Hay una mala conexión entre el conector del tapón de la manguera de gas y el acoplador de los manguitos. 4. La entrada del quemador está bloqueada. 	<ol style="list-style-type: none"> 1. Use el soporte para fósforos que se encuentra en la puerta del gabinete. 2. Verifique que la válvula de cierre de suministro de gas manual esté abierta. 3. Apague las perillas de la parrilla, cierre la válvula de cierre de suministro de gas y verifique la conexión entre el tapón y el acoplador de los manguitos. Desconecte y vuelva a conectar, si es necesario. 4. Limpie la entrada del quemador (venturi) y el quemador como se describe en la sección Cuidado y mantenimiento de este manual.
No hay flujo de gas o un obstruido el flujo de gas.	<ol style="list-style-type: none"> 1. El suministro de gas está cerrado. 2. Vacíe el tanque. 3. Hay una mala conexión entre el conector del tapón de la manguera de gas y el acoplador de los manguitos. 4. La entrada del quemador está bloqueada. 	<ol style="list-style-type: none"> 1. Verifique que la válvula de cierre de suministro de gas manual esté abierta. 2. Revise el nivel de combustible y reemplace el combustible si es necesario. 3. Apague las perillas de la parrilla, cierre la válvula de cierre de suministro de gas y verifique la conexión entre el tapón y el acoplador de los manguitos. Desconecte y vuelva a conectar, si es necesario. 4. Limpie la entrada del quemador (venturi) y el quemador como se describe en la sección Cuidado y mantenimiento de este manual.

Garantía limitada

1-año de garantía limitada

Esta parrilla a gas PL está garantizada por 1 año contra piezas rotas o dañadas desde la fecha de compra. Se garantiza que está libre de defectos. La pintura está garantizada contra defectos, salvo la oxidación, la cual puede aparecer después del uso repetido.

Esta garantía no cubre daños o problemas ocasionados por negligencia, abuso o modificaciones al electrodoméstico. Los gastos de reparación no están cubiertos.

Todas las piezas que cumplan con los requisitos de la garantía se enviarán sin cargo por el medio que decida el fabricante (envíos por tierra, correo de EE.UU. o servicios de paquetes postales ÚNICAMENTE). Cualquier otro gasto especial de manipulación (es decir, envíos de dos días, al día siguiente, etc.) será de responsabilidad del cliente.

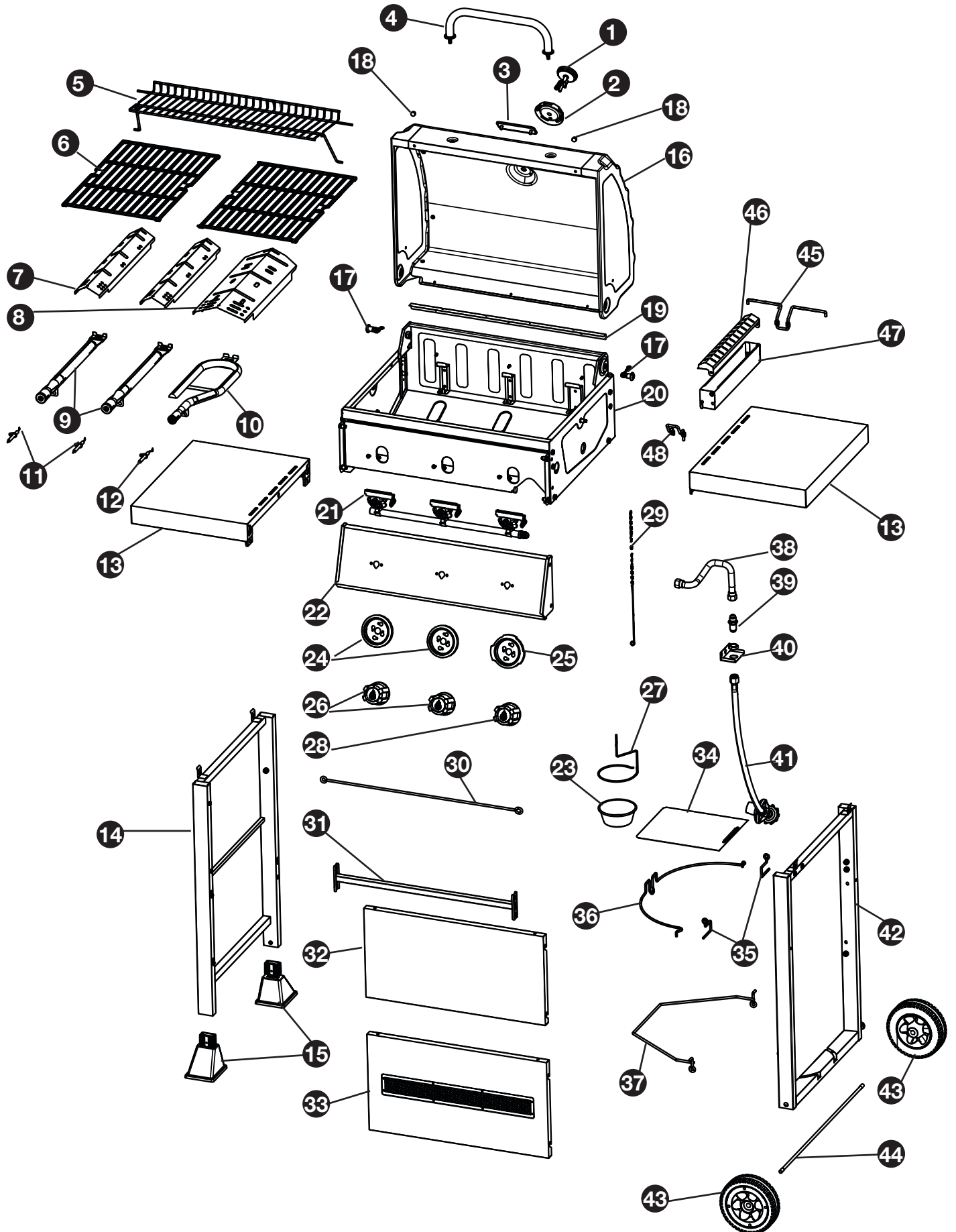
Todos las reclamaciones de garantía se aplican sólo al comprador original y requieren un comprobante de compra para verificar la fecha de la misma. No devuelva piezas sin antes obtener un número de autorización para la devolución de nuestro Servicio al Cliente. Este servicio está disponible llamando gratis al 1-877-447-4768, de 8:00 am - 4:30 pm, hora central, de lunes - viernes.

AVISO: Algunos estados no permiten la exclusión o limitación de daños accidentales o resultantes, o limitaciones en cuanto al período de duración de una garantía, de modo que las limitaciones o exclusiones anteriores pueden no aplicarse a usted. Esta garantía le otorga derechos legales específicos, pero podría tener también otros derechos legales que varían según el estado.

GHP Group Inc.
6440 W. Howard Street
Niles, IL, USA
60714-3302

Nombre del artículo: 3-Burner LP gas Grill con SearPLUS™ burner
Model #: DGH353CRP/DGH353CRP-D
Total quemador principal nominal BTU: 20,000 BTU/Hr
Quemador SearPLUS™ nominal BTU: 15,000 BTU/Hr

Lista de Piezas de Repuesto



LISTA DE PIEZAS DE REPUESTO

Para obtener piezas de repuesto, llame a nuestro Departamento de Servicio al Cliente al 1-877-447-4768, de 8:00 am - 4:30 pm, hora central, de lunes - viernes.

PARTE	DESCRIPCION	PARTE #
1	Conjunto del indicador de temperatura	70-02-264
2	Bisel del indicador de temperatura	70-01-906
3	Placa	70-10-540
4	Conjunto de la manija de la tapa	70-02-157
5	Rejilla para calentar	70-01-633
6	Rejilla para cocinar	70-01-634
7	Protector térmico para el quemador principal	70-02-158
8	Protector térmico para el quemador SearPLUS™	70-02-159
9	Rejilla para cocinar para el quemador principal	70-02-582
10	Quemador SearPLUS™ con pantalla térmica	70-02-062
11	Sparker principal del quemador	70-01-283
12	SearPLUS™ quemador sparker	70-02-063
13	Mesa del lado	70-02-160
14	Conjunto de pierna izquierda	70-02-161
15	apa del extremo de pierna	70-02-584
16	Conjunto de la tapa	70-02-162
17	Pasador pivote de la tapa con pasador hendido	70-01-641
18	Tope de la tapa	70-01-176
19	Soporte de parrilla de cocción	70-01-642
20	Conjunto de la cámara de combustión con pantalla térmica	70-02-163
21	Conjunto del colector y las válvulas principales	70-02-164
22	Conjunto del panel de control principal	70-02-165
23	Taza de grasera	70-01-650
24	Bisel de la perilla de control para el quemador principal	70-01-920
25	Bisel de la perilla de control para el quemador SearPLUS™	70-02-418
26	Perilla de control para el quemador principal	70-01-921
27	Portavasos de grasa	70-01-651
28	Perilla de control para el quemador SearPLUS™	70-01-923
29	Portafósforo con cadena	70-01-204
30	Exclusión del cilindro	70-02-555
31	Carrito soporte trasero	70-02-166
32	Panel delantero del carrito-parte superior	70-02-549
33	Panel delantero del carrito-parte inferior	70-02-167
34	Escudo térmico del tanque	70-02-168
35	Alambre fijo de retención de tanque	70-02-541

LISTA DE PIEZAS DE REPUESTO

PARTE	DESCRIPCION	PARTE #
36	Abrazadera del tanque	70-02-433
37	Barra de exclusión lateral	70-02-435
38	Conjunto del tubo corrugado	70-01-645
39	Conector	70-02-110
40	placa de fijación del conector	70-02-268
41	Conjunto del regulador y la manguera	70-01-647
42	Montaje de pierna derecha	70-02-169
43	Rueda	70-01-659
44	Eje	70-01-658
45	Soporte trasero del caja de fumador	70-02-086
46	Tapa de la caja de fumador	70-01-929
47	Caja de fumador	70-01-930
48	Soporte frontal del caja de fumador	70-02-085
n/a	Paquete de tornillería	70-09-578

