

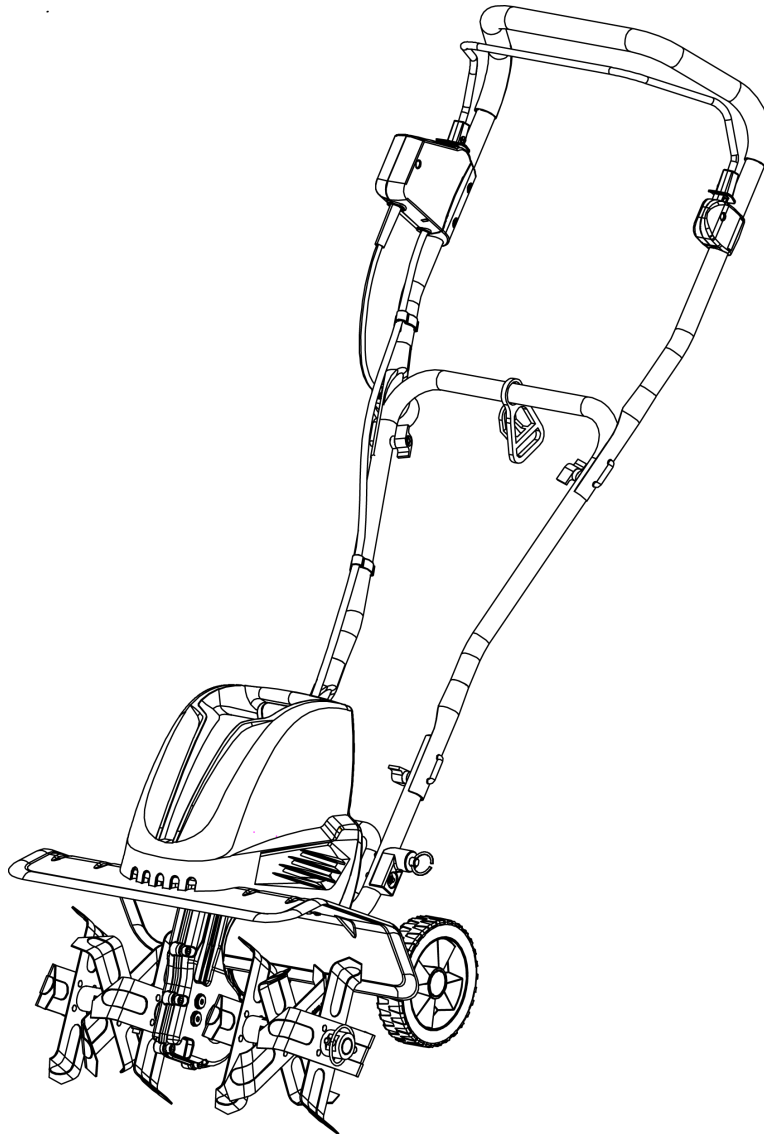


OWNER'S MANUAL

Tiller/Cultivator, 13.5 Amp

Copyright All Rights Reserved.

Model TC70135S



This product has been engineered and manufactured to our high standard for dependability, ease of operation, and operator safety. Properly cared for, it will give you years of rugged, trouble-free performance.



WARNING: To reduce the risk of injury, the user must read and understand the owner's manual before using this product.

Thank you for your purchase.

DO NOT RETURN THIS PRODUCT TO THE STORE. OPERATING, ASSEMBLY, PARTS, SERVICE QUESTIONS? GO TO SCOTTS.AMERICANLAWNMOWER.COM, OR CALL 1-800-618-7474 BETWEEN 8:00AM-5:00PM EST FOR ASSISTANCE.

SAVE THIS MANUAL FOR FUTURE REFERENCE



IMPORTANT SAFETY WARNINGS



TO REDUCE RISK OF INJURY: Before any use be sure everyone using this product reads and understands all safety instructions and other information contained in this manual.



CAUTION: Wear appropriate personal hearing protection during use. Under some conditions and duration of use, noise from this product may contribute to hearing loss.



Save these instructions and review frequently prior to use and in instructing others.

WARNING: When using electric gardening appliances, basic safety precautions should always be followed to reduce risk of fire, electric shock, and personal injury, including the following:

READ ALL INSTRUCTIONS

GENERAL SAFETY

REPLACEMENT PARTS

When servicing use only identical replacement parts.

POLARIZED PLUGS - To reduce the risk of electric shock, this product has a polarized plug. Polarized connections will fit together only one way. Make sure that the receptacle end of the extension cord has large and small blade slot widths. If the plug does not fit fully into the extension cord, reverse the plug. If it still does not fit, obtain a suitable extension cord. If the extension cord does not fit fully into the outlet, contact a qualified electrician to install the proper outlet. Do not change the plug on the tool or the extension cord in any way.

AVOID DANGEROUS ENVIRONMENTS - Don't use this product in rainy, stormy, damp or wet locations. Do not operate in gaseous or explosive atmospheres. Motors in these products normally spark, and the sparks might ignite fumes. Don't use in rain.

KEEP CHILDREN AWAY - All visitors, children and pets should stay at a safe distance from the work area.

DRESS PROPERLY - Don't wear loose clothing or jewelry and wear protective hair covering to contain long hair. They can be caught in moving parts. Use of rubber gloves and substantial footwear is recommended when working outdoors.

USE SAFETY GLASSES - Wear safety glasses with side shields or goggles that are marked to comply with ANSI Z87.1 standard when operating this product. Use face or dust mask if environment is dusty.

USE RIGHT APPLIANCE - Do not use this product for any job except that for which it is intended.

GROUND FAULT CIRCUIT INTERRUPTER (GFCI) protection should be provided on the circuit or outlet to be used for the tiller/cultivator. Receptacles are available having built-in GFCI protection and may be used.



WARNING: Use outdoor extension cords marked SW-A, SOW-A, STW-A, STOW-A, SJW-A, SJTW-A, or SJTOWA. These cords are rated for outdoor use and reduce the risk of electric shock.

EXTENSION CORD. Make sure your extension cord is in good condition. When using an extension cord be sure it is heavy enough to carry the current your product will draw. An undersized extension cord will cause a drop in line voltage resulting in loss of power and overheating. The following table shows the correct size to use depending on cord length and nameplate ampere rating. If in doubt, use the next heavier gage. The smaller the gage number, the heavier the cord.

Volts	Minimum Gage for Cord Sets			
	Total Length of cord in Feet			
120V	0-25	26-50	51-100	101-150
240V	0-50	51-100	101-200	201-300
Ampere Rating		American wire Gage		
More Than	Not More Than			
0	6	18	16	14
6	10	18	16	14
10	12	16	16	14
12	16	14	12	Not Recommended

It is possible to tie the extension cord and power cord in a knot to prevent them from becoming disconnected during use. Make the knot as shown, then connect the plug end of the power cord into the receptacle end of the extension cord. This method can also be used to tie two extension cords together.



Use one of the plug-receptacle retaining straps or connectors described in this manual.

Avoid Unintentional Starting – Don't carry plugged-in appliance with finger on switch. Be sure switch is off when plugging in.

DON'T ABUSE CORD - Never carry this product by the cord or yank the cord to disconnect from the receptacle. Keep cord from heat, oil, and sharp edges.

DON'T FORCE APPLIANCE – It will do the job better and with less likelihood of a risk of injury at the rate for which it was designed.

DON'T OVERREACH - Guide the tiller/cultivator at a walking pace only. Keep proper footing and balance at all times.

STAY ALERT - Watch what you are doing. Use common sense. Do not operate the tiller/cultivator when you are tired or under the influence of drugs or medication.


DISCONNECT UNIT from the power supply when not in use or when servicing or cleaning. Do not leave unattended.


STORE IDLE UNIT INDOORS - When not in use, the tiller/cultivator should be stored indoors in a dry area out of children's reach.


GENERAL SAFETY


MAINTAIN UNIT WITH CARE - Keep clean for best performance and to reduce the risk of injury. Follow instructions for lubricating and changing accessories. Inspect unit cord periodically, and if damaged, have it repaired by an authorized service facility. Inspect extension cord periodically and replace if damaged. Keep handles dry, clean and free from oil.

CHECK FOR DAMAGED PARTS - Before further use of the product, any part that is damaged should be carefully checked to determine that it will operate properly and perform its intended function. Check for alignment of moving parts, binding of moving parts, breakage of parts, mounting and any other condition that may affect its operation. Any part that is damaged should be properly repaired or replaced. For assistance call our customer service help line at 1-800-618-7474.

 **WARNING:** Keep hands away from blades.


 **DOUBLE INSULATION** – The tiller/cultivator has double insulation. This means that all external metal parts are insulated from the electrical supply. This is achieved by introducing an insulation layer between electrical and mechanical parts. The double insulation guarantees you the greatest possible safety.


 **WARNING** - To reduce the risk of electric shock, do not expose unit to water or operate unit on wet ground.

 **WARNING** - To reduce the risk of injury to persons, do not operate without guards in place.

Be aware of the extension cord while operating the tiller/cultivator. Be careful not to trip on the cord. Always guide the cord away from the tines.

OVERHEAT PROTECTION - If the tiller/cultivator is blocked by a foreign object or if the motor is overloaded, the motor will switch off automatically by the protection device. Release the trigger lever and wait for the motor to cool down (approx. 15 minutes) before starting the tiller again.

 **CAUTION:** The tiller/cultivator may bounce upward and/or jump forward if the tines strike extremely hard packed soil, frozen ground, or buried obstacles such as large stones, roots or stumps.


 **WARNING:** Replace damaged cord immediately.

LIGHTING - Only operate your tiller/cultivator in daylight or good artificial light.

Do not operate the tiller/cultivator on a slope that is too steep for safe operation. When on slopes, slow down and make sure you have good footing.


Before starting the tiller/cultivator make sure the tines are not touching any object and are free to move.

Grip the guide bar firmly with both hands. Never operate the tiller/cultivator with one hand.


 **WARNING:** Do not operate the tiller/cultivator near underground electrical cables, telephone lines, pipes or hoses.

If the tiller/cultivator strikes a foreign body, turn it off immediately, wait for the tines to stop and check for damage. If necessary, repair before restarting.


If the tiller/cultivator starts to vibrate abnormally, turn it off immediately and check for the cause. Vibration is generally a warning of trouble.


 **DANGER: RISK OF CUT** - Wear gloves and use caution when cleaning or performing maintenance on the tiller/cultivator.

Always turn off the tiller/cultivator, disconnect from the power supply and wait until the tines come to a complete stop before carrying out any maintenance or repairs.

 **CAUTION:** Tines do not stop immediately after the tiller/cultivator is turned off.

 **CAUTION:** Risk of injury. Do not put hands, feet or any body part or clothing near the rotating tines.


 **WARNING: California Proposition 65:** This product contains chemicals known to the State of California to cause cancer, birth defects or other reproductive harm.

 **WARNING:** Some dust and debris created by the use of this tool could contain chemicals known to the State of California to cause cancer and birth defects or other reproductive harm.

Some examples of these chemicals are:

- chemicals in fertilizers
- compounds in insecticides, herbicides, and pesticides
- arsenic and chromium from chemically treated lumber

Your risk from exposure to these chemicals varies, depending on how often you do this type of work. To reduce your exposure, work in a well-ventilated area and with approved safety equipment such as dust masks that are specially designed to filter out microscopic particles.

 **WARNING:** Cancer and Reproductive Harm - www.P65Warnings.ca.gov.

PRODUCT SPECIFICATIONS

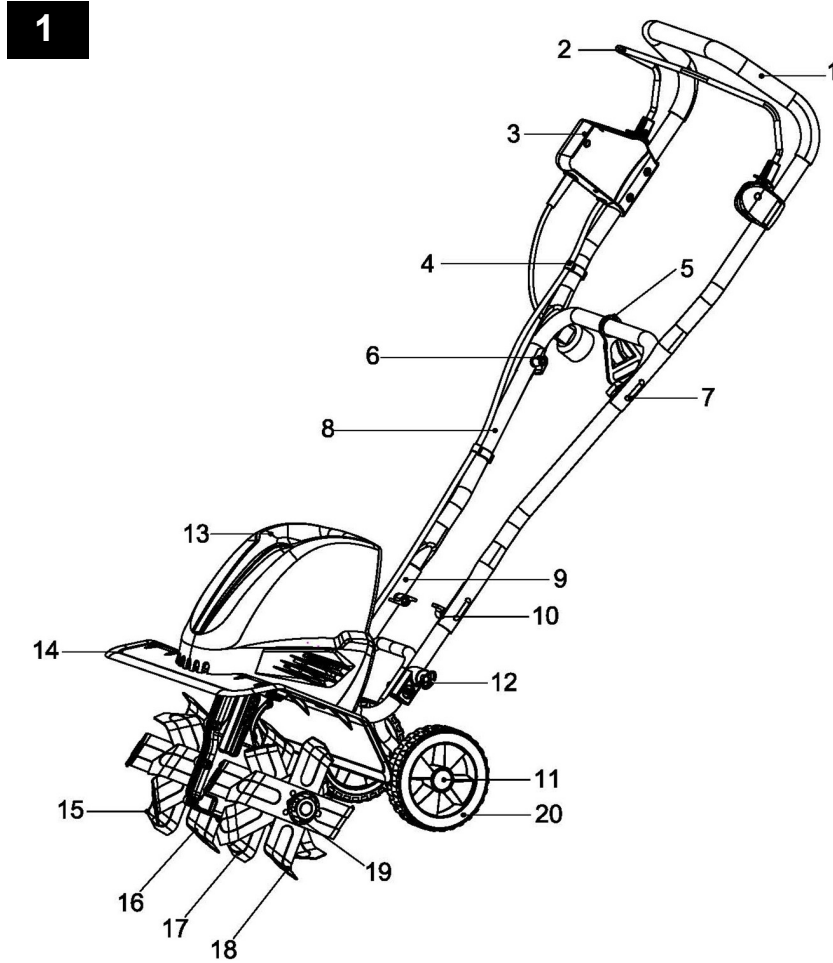
Model: TC70135S

Power supply voltage:
Tine Speed:
Power Consumption:

120V-60HZ
360 RPM
13.5 Amp

Working width:
Working depth max:

11-IN or 16-IN
8-IN

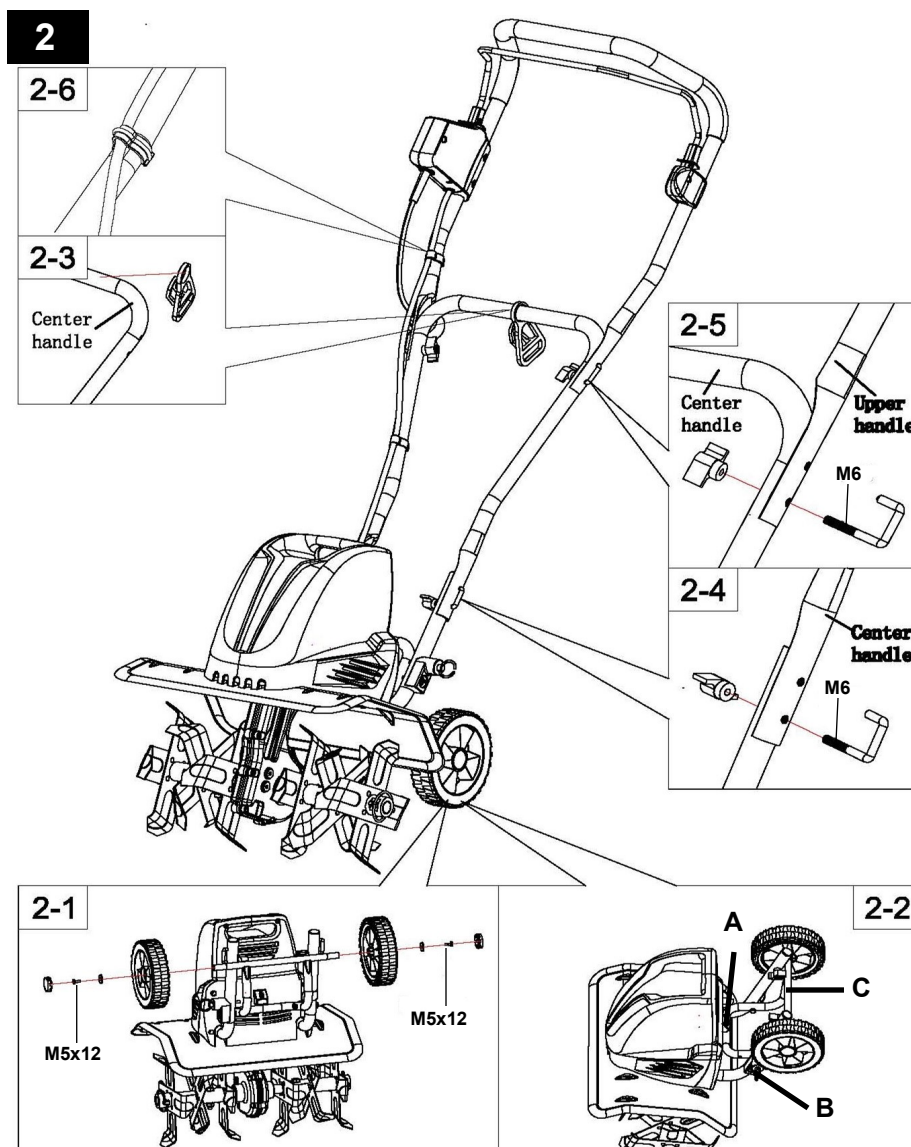


No.	Description	No.	Description
1	Upper handle section	11	Wheel hub cap
2	Bail wire	12	Wheel frame lock pin
3	Switch box and power cable assembly	13	Motor housing
4	Cable clip	14	Protective shield
5	Cord retainer	15	Tine assembly, D
6	Wing nut	16	Tine assembly, C
7	J-bolt M6	17	Tine assembly, B
8	Center handle section	18	Tine assembly, A
9	Lower handle section - II	19	Tine lock pin
10	Lower handle section - I	20	Wheel

ASSEMBLY

This product must be assembled correctly before use.

1. Remove the screws (M5 X 12) and washers from each end of the wheel frame axle. Assemble the wheels onto the axle, then install washers and screws (M5 X 12) to secure. (Fig. 2-1)
2. Press the hub caps into the wheels and cover the ends of the axles. You may use a hammer to seat them securely into the wheels. (Fig. 2-1)
3. To lower wheel frame, push the lock button on back of motor housing to release the frame (Step A). Lower the wheel frame (Step B) and pull out the lock pin on lower handle section (Step C). Align lock pin to the hole in wheel frame then release it to lock the wheel frame in position. (Fig. 2-2)
4. Slide the cord retainer onto the center handle section. (Fig. 2-3)
5. Attach the center handle section to the lower handle sections using the two supplied M6 J-bolts and wing nuts. (Fig. 2-4)
6. Fasten the upper handle section to the center handle section using the two supplied M6 J-bolts and wing nuts. (Fig. 2-5)
7. Use the two supplied cable clips to secure the cord to the handle. (Fig. 2-6)



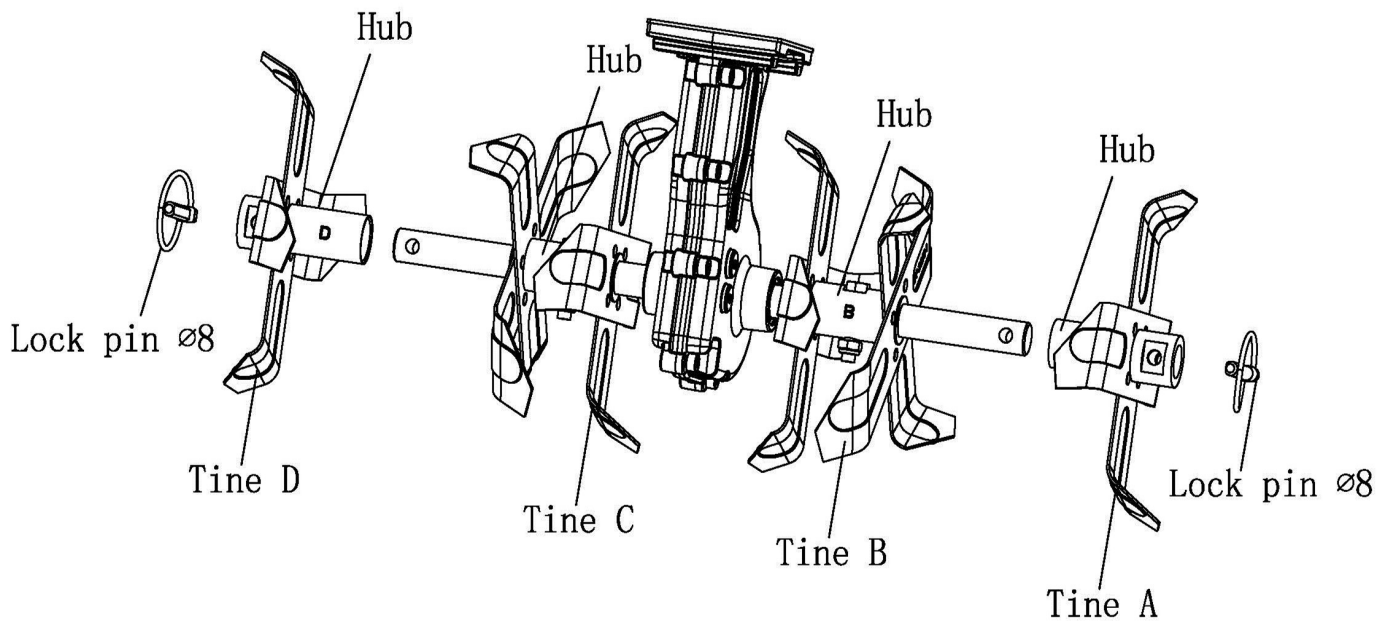
WARNING: If any parts are damaged or missing do not operate this product until the parts are replaced. Failure to heed this warning could result in serious personal injury. Call our customer service help line at 1-800-618-7474 for assistance.

WARNING: Do not attempt to modify this product or create accessories not recommended for use with this product. Any such alteration or modification is misuse and could result in a hazardous condition leading to possible serious personal injury.

WARNING: Do not connect to power supply until assembly is complete. Failure to comply could result in accidental starting and possible serious personal injury.

ADJUSTABLE TINE ASSEMBLY INSTRUCTION

3



Tines are identified (A,B,C,D) with letters stamped into the Tine Hubs.

CHANGE FROM SIX TINES TO FOUR TINES

Lift the Lock Pin rings and remove Lock Pins at both ends of the shaft. Remove Tine A and D from the shaft. (Fig. 3)



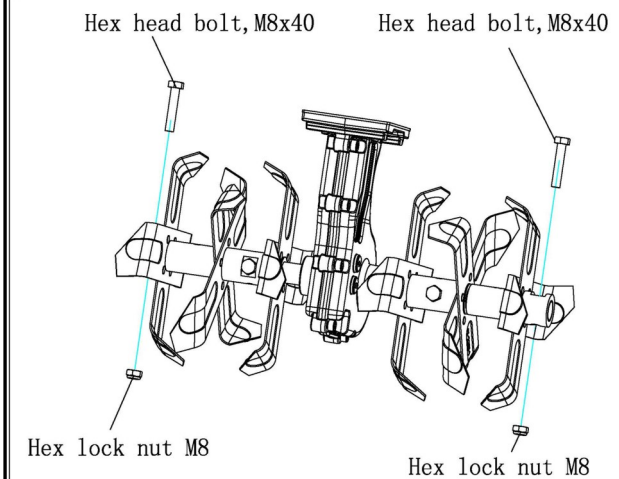
WARNING: Before adjusting tine assembly, disconnect power supply. Failure to heed this warning could result in serious personal injury.

CHANGE FROM FOUR TINES TO SIX TINES

Install Tine A and D onto the shaft as shown. Ensure holes in Tine Hubs and shaft are aligned. Insert Lock Pin into the through holes and pull Lock pin ring downward to lock the Pin into place. Be sure to install Tines as shown in Fig 3. Tines cannot be secured if assembled in other sequence of Tine position. (Fig. 3)

In the event the lock Pins are lost or misplaced, Tines A and D may be secured using the extra M8X40 Hex head bolts and M8 Lock nuts provided. (Fig. 4)

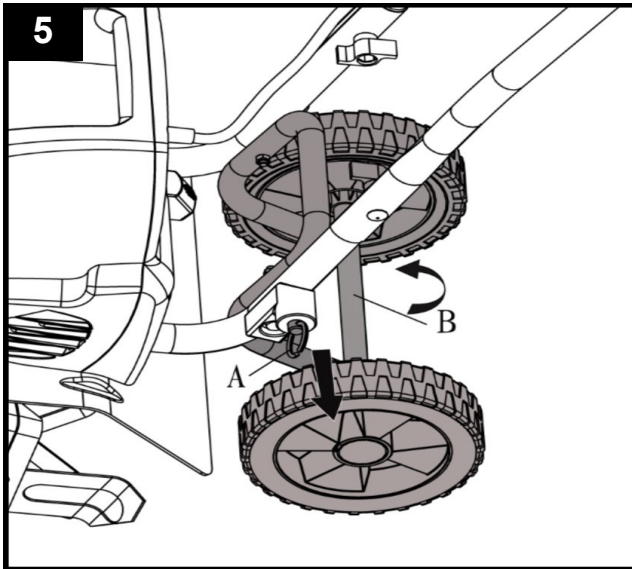
4



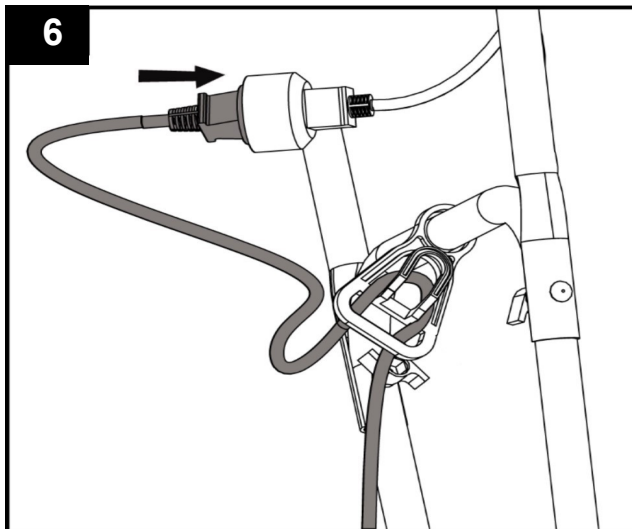
OPERATING

STARTING:


Make sure the wheel frame is raised before you start the tiller. To raise the frame, pull out the lock pin (Step A); rotate the wheel frame upward, so that it snaps beneath the lock button on the back of the motor housing (Step B); release the lock pin. The wheel frame will be locked in place by the lock button. (See Fig. 5)



Secure the extension cord into the cord retainer. The loop of the extension cord must be long enough for the cord retainer to freely slide from one side to the other. Plug the extension cord into the power cord plug on the tiller. (See Fig. 6)



Move the tiller/cultivator to the work area prior to starting the motor.

 **WARNING:** Do not start tiller with any person or object directly in its path.

Hold the tiller/cultivator firmly while starting. The tines will pull the tiller/cultivator forward during operation. Lower the tines slowly into the ground being tilled.

To start the tiller/cultivator, grip the center of the handle firmly with your left hand. Using your right hand, push the safety lock button on the switch box and hold to allow activation of the switch control bail wire. (See Fig. 7)



Use your left thumb and index finger to maintain a firm grip on the handle, and with remaining fingers pull the switch control bail wire toward the handle. (See Fig. 8) Once the unit has started, release the safety lock button.



Continue to hold the switch control bail wire against the tiller handle as you cultivate. Use both hands to firmly grip the handle to provide better control. (See Fig. 9)



To stop the tiller/cultivator simply release the bail wire.

OPERATING

Use the tiller/cultivator for breaking sod, preparing seed beds, and for cultivating gardens and flower beds. The tiller/cultivator can also dig small holes for planting saplings or potted plants.

For breaking sod or deep tilling, allow the tines to pull the tiller/cultivator forward to the end of your arm's reach, then firmly pull it back toward yourself. You will achieve the best results by repeatedly allowing it to move forward and pulling it back.

By pulling the tiller/cultivator back towards yourself, the tines will dig deeper and more aggressively.

To prevent tripping, take extra precautions when moving backwards and when pulling the tiller/cultivator back toward yourself.

If the tiller/cultivator digs deep enough to stay in one spot, gently rock it side to side until it starts moving forward again.

Never pass the tiller/cultivator over the extension cord. Make sure the cord is always in a safe position behind you.

When working on inclines always stand diagonally to the incline to retain a firm, safe footing. Do not work on extremely steep slopes.

For preparing seed beds, we recommend using one of these tilling patterns:

Tilling Pattern A– Make two passes over area to be tilled, the second at a right angle to the first.

Tilling Pattern B– Make two passes over area to be tilled, the second overlapping the first.

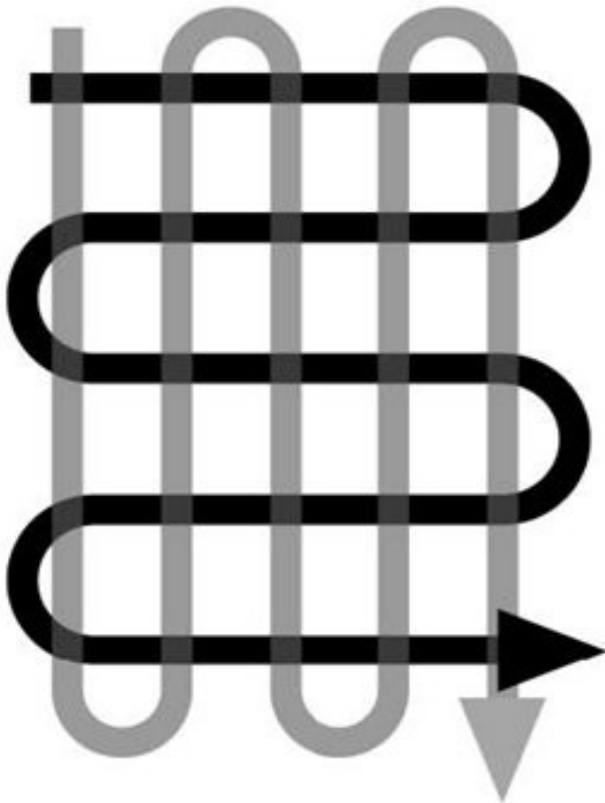
Before use, remove any visible stones or other foreign bodies from the area.



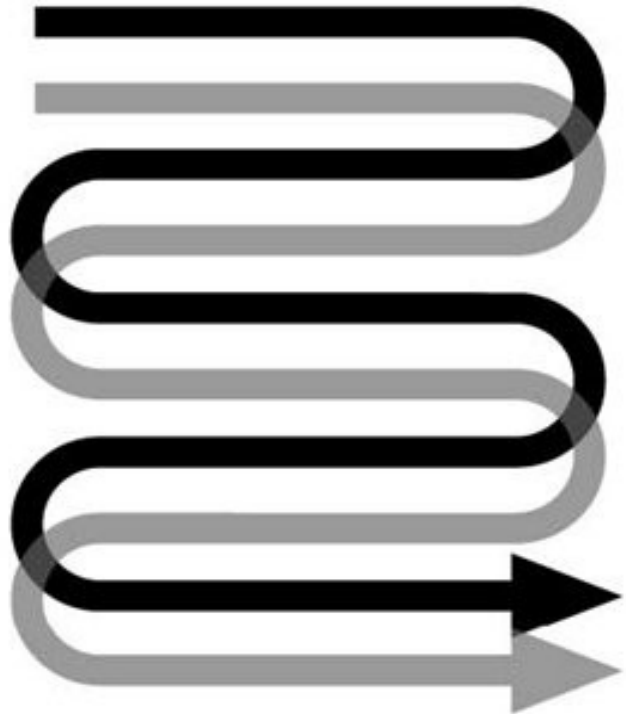
CAUTION: Before moving the tiller/cultivator from one area to another switch off the motor and wait for the tines to come to a complete stop. Be careful not to let the tines touch the ground while moving the tiller/cultivator. The tines as well as the unit itself may be damaged even if the motor is switched off.

Clearing foreign objects:

During operation a stone or root could become lodged in the tines, or tall grass or weeds may become wrapped around the tine shaft. To clear the tines or tine shaft release the trigger lever, wait for the tines to come to a complete stop and unplug the tiller/cultivator. Dislodge or remove the foreign matter from the tines or tine shaft. To simplify removal of tall grass or weeds from the tine shaft, remove one or more of the tines. See Tine Removal and Installation.



A



B

MAINTENANCE

WARNING: Before carrying out maintenance operations, disconnect power supply.

Before each use check the extension cord for signs of damage or ageing. Replace the cable if it is cracked, split or otherwise damaged. Check the condition of the tines and ensure that all threaded connections are securely tightened. If the tines become dull or blunt, sharpen or replace them. Call our customer service help line at 1-800-618-7474 for assistance.

Once per season lubricate the tines and shaft. At the end of the season, check the tiller/cultivator for damage prior to storing. Repair or replace damaged or broken parts.

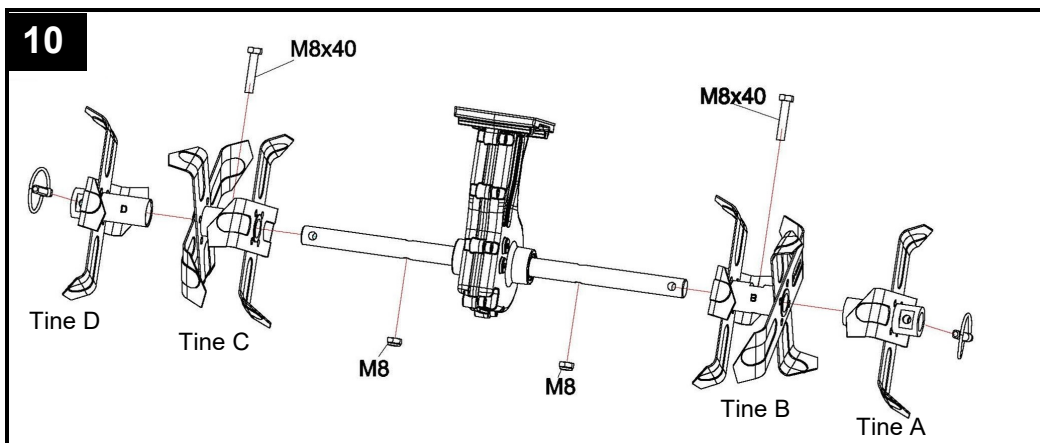
CAUTION: Always clean the tiller/cultivator after each use. Failure to carry out proper cleaning can result in damage to the tiller/cultivator or result in poor performance.

Clean the underside of the motor support plate and housing around the tines with a scrub brush, and a soft cloth dampened with a mild soap and water mixture. **Never use a water hose to clean the tiller!** To remove soil and debris from the transmission and tines, use a stiff brush or a dampened cloth. Clean the vents on the motor housing and remove any remaining grass or dirt. Once cleaned, wipe the tines and shaft dry and apply a light coat of oil to prevent rust.

Tines maintenance: Worn tines invite poor performance and overload of the motor. Check tines before each use. Sharpen or replace the tine assemblies with new ones when necessary. Call 1-800-618-7474 for assistance.

WARNING: Injury can occur while working on the tines. Wear protective gloves.

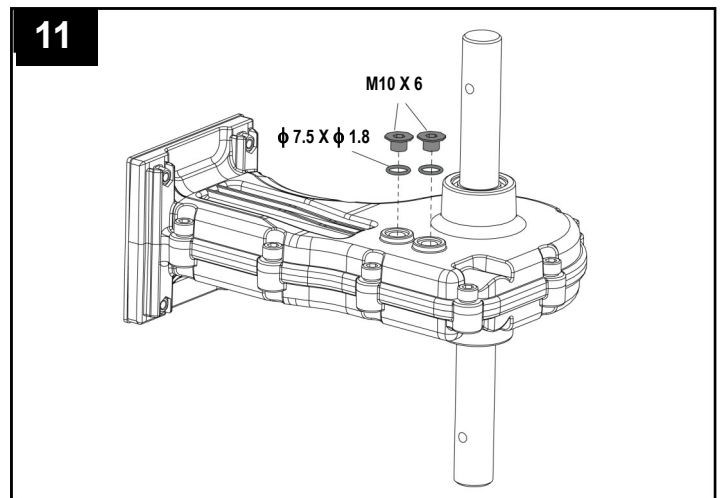
Tine Removal and Installation (Fig. 10)
Lift the Lock Pin rings and remove the Lock Pins at both ends of the shaft. Remove Tine A and D from the shaft. Remove the M8x40 bolts and M8 Hex lock nuts at both ends of the shaft. Remove Tine B and C from the shaft. Reverse above steps to install Tines.



Replace worn or damaged parts with original replacement parts only. Parts from another tiller/cultivator may not fit properly causing an unsafe situation.

Make sure all protective devices are secure and in good condition. Repair or replace if necessary.

Lubrication (Fig. 11): The tines drive transmission case has grease installed at the factory. It is not required that the grease level be checked nor recommended that grease be added during the first 2 years of use. After the second season of use, follow the directions as described below:



Drain screw plugs are located on the right side of transmission housing. Lay the tiller/cultivator on its left side and clean the transmission of dirt and debris prior to removing the drain screw plugs. If necessary, remove tine assemblies to have better access to the drain screw plug. Use a 5mm hex key to unscrew the plugs.

Using a squeeze bottle or tube, add approximately 2.4 oz. (70ml) of auto gear lube. Do not overfill. When completed, reinstall both drain screw plugs into the transmission.

STORAGE

Store the Tiller/Cultivator in a dry, clean area out of reach of children.

During extended periods of storage, ensure that the tiller/cultivator is protected against corrosion and rust.

At the end of the season, or if the tiller/cultivator is not being used for longer than a month, wipe over all metal surfaces with an oil impregnated cloth to protect them from corrosion or spray with a fine coat of oil. Fold the guide bar down, and store the tiller/cultivator in a suitable place.

TROUBLESHOOTING

Problem	Possible causes	Remedy
Motor does not start	Unit not plugged in No electricity Defective cable Defective safety switch/plug Overheat protection activated	Plug in the unit Check power supply Check cable. Repair or replace if required Arrange for repair 1. Working depth too large, set to a shorter depth. 2. Blades blocked, remove the blockage. 3. Soil too hard, select correct work depth and move forward and backward several times while slowing down the operation speed. Wait until the motor cools down for about 15 minutes before further use.
Abnormal noises	Blade is jammed Lubrication running out Bolts, nuts or other components are loose.	Switch off . Wait till tines comes to a complete stop. Remove jammed objects. Tiller/cultivator must be repaired. Call our customer service help line at 1-800-618-7474 for assistance. Tighten all components. Arrange for repair if noises continue.
Abnormal vibrations	Blades damaged or worn Working depth too large	Replace damaged or worn blades. Set to correct working depth.
Poor results	Working depth too small Worn blades	Set to correct working depth. Replace damaged or worn blades.

CALL US FIRST !!

Call us first with questions about operating or maintaining your tiller
 at 1-800-618-7474 between 8:00 a.m. – 5:00 p.m. Eastern
 Standard Time, or get assistance on scotts.americanlawnmower.com.

PARTS AND SERVICE

For parts or service, please call 1-800-618-7474 or visit us online at scotts.americanlawnmower.com. Be sure to provide all relevant information when you call or visit.

REPAIR PARTS (KITS/ ITEMS)

The model/ serial number of this tool is found on a plate or label attached to the housing. Please record the serial number in the space provided below.

MODEL NUMBER TC70135S

SERIAL NUMBER _____

Always mention the model number when ordering kits/items for this tool.

No.	Kit/Item Number	Description	QTY
1	RTC135S-TK	Tine Kit	1
2	RTC135/105S-HDW	Hardware Kit	1
3	RTC135/105S-WK	Wheel Kit	1
4	RTC135/105S-HK	Handle Kit	1

CALL US FIRST !!

Call us first with questions about operating or maintaining your tiller at 1-800-618-7474 between 8:00 a.m. – 5:00 p.m. Eastern Standard Time, or get assistance on scotts.americanlawnmower.com.



OWNER'S MANUAL

TC70135S Tiller/Cultivator

Copyright All Rights Reserved.

WARRANTY POLICY

Scotts Warranty policy

- **3 Year limited warranty** on all Scotts corded tillers from date of purchase when used for personal, household, or family use.

The Great States Corp. (GSC) warrants to the original owner that this Scotts product and service part is free from defects in materials and workmanship and agrees to repair or replace any defective product or part for the warranty period as stated above.

- Warranty voided if used for commercial or industrial purposes or any other improper use as determined by GSC.
- Warranty does not include repairs necessary due to operator's abuse or negligence (including overloading the product beyond capacity or immersion in water), or the failure to assemble, operate, maintain or store the product according to the instructions in the owner's manual.
- This warranty does not cover
 - ◇ Wear items, including but not limited to - drive belts & gears, tines, cutting blades, mower blades, saw chains, mulching blades, blower fans, spool covers, trimmer line, blower and vacuum tubes, guide bars, high pressure hoses, wheels, handles, augers, worn bags, power cables, and other items subject to wear over time.
 - ◇ Wear on batteries, including but not limited to – drops, wear and breakage on charger, exposure to extreme temperature swings (hot or cold), battery left on charger too long, battery left uncharged for too long, and misuse or abuse of the battery.
- This warranty does not cover damage caused by cold, heat, rain, excessive humidity or other environmental extremes.
- This warranty does not cover normal deterioration of the exterior finish or normal wear and tear on the products including, but not limited to scratches, cracks, dents, or damage caused by outside chemicals.
- This warranty is not transferable and only applies to new products sold directly from an authorized retailer. This warranty does not apply to any product, new or used, purchased through unauthorized third-party channels. For information on authorized dealers, contact our customer support hotline at 1-800-618-7474 (Mon-Fri 8am-5pm Est)
- Any incidental, indirect or consequential loss, damage, or expense that may result from any defect or malfunction of the products is not covered by the warranty.
- The warranty does not include installation, assembly or normal adjustments explained in the operator's manual. The expense of delivering the product to the vendor and the expense of returning the product or replacement parts to the owner is not covered by the warranty.

Additional Warranty Limitations

Some states do not allow the exclusion or limitation on how long an implied warranty lasts, so the above limitation may not apply to you. Products sold damaged or incomplete, sold —as is, or sold as reconditioned are not covered under the warranty. Damage or liability caused by shipping, improper handling, improper assembly, incorrect voltage, improper wiring, improper maintenance, improper modification or the use of accessories and/or attachments not specifically recommended is not covered by this warranty.

Proof of purchase, original dated sales receipt, must accompany all warranty claims.

For claims go to scotts.americanlawnmower.com or call our customer support hotline from 8am-5pm EST, Mon-Fri at 1-800-618-7474



American Lawn Mower Company
The Great States Corporation
7444 Shadeland Station Way
Indianapolis, IN 46256 USA
Phone 1-800-618-7474
scotts.americanlawnmower.com

In a continued commitment to improve quality, the Manufacturer reserves the right to make component changes or design changes when necessary.

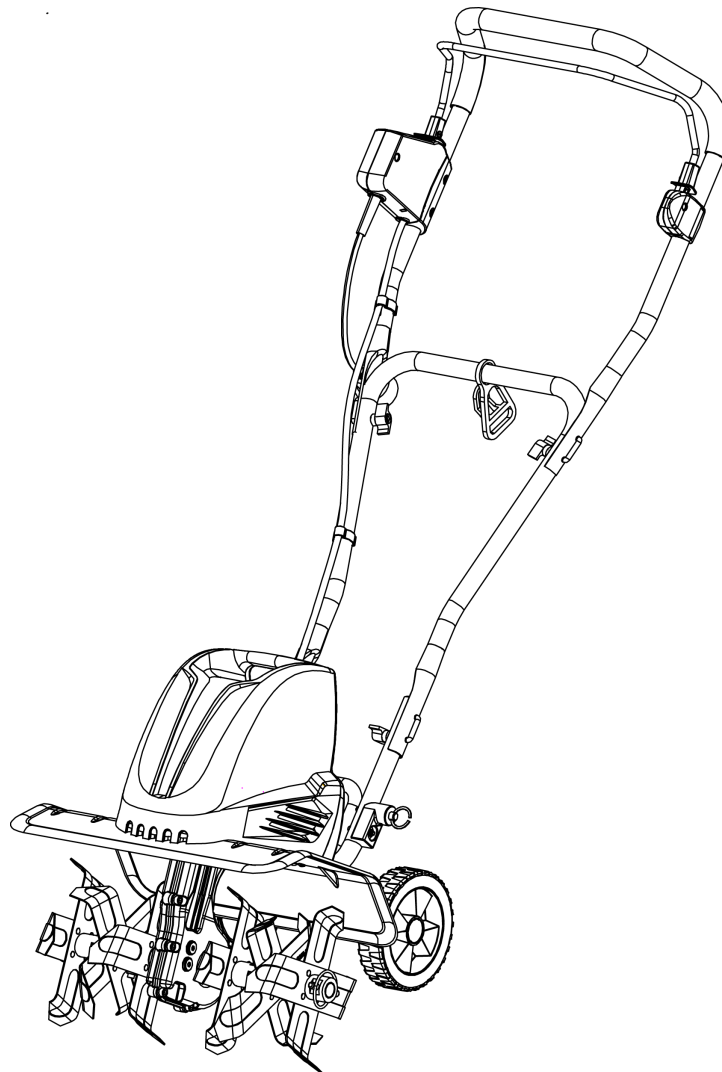


MANUAL DEL OPERARIO

Rotocultivador, 13.5 Amperios

Copyright. Todos los derechos reservados.

Modelo TC70135S



Este producto fue diseñado y fabricado de acuerdo con nuestros altos estándares de confiabilidad, facilidad de operación y seguridad para el operario. Si se trata con cuidado, esta herramienta le otorgará años de óptimo rendimiento y resistencia.



ADVERTENCIA: Para reducir el riesgo de sufrir alguna lesión, el usuario debe leer y comprender el manual del operario antes de usar este producto.

Muchas gracias por su compra.

NO DEVUELVA ESTE PRODUCTO A LA TIENDA. ¿TIENE PREGUNTAS SOBRE EL FUNCIONAMIENTO, EL MONTAJE, LAS PIEZAS Y EL MANTENIMIENTO? VAYA A SCOTTS.AMERICANLAWNMOWER.COM, O LLAME AL 1-800-618-7474 ENTRE LAS 8:00 Y LAS 17:00 HORA DEL ESTE DE LOS ESTADOS UNIDOS.

GUARDE ESTE MANUAL PARA CONSULTAS FUTURAS



ADVERTENCIAS DE SEGURIDAD IMPORTANTES



PARA REDUCIR EL RIESGO DE LESIONES: Antes de utilizar este producto, cerciórese de que todos los usuarios lean y comprendan las instrucciones de seguridad y la demás información incluida en este manual.



PRECAUCIÓN: Use protección auditiva apropiada mientras trabaja. En ciertas condiciones y con cierta duración de uso, el ruido generado por este producto puede contribuir a la pérdida de la audición.

Guarde estas instrucciones y revíselas con frecuencia antes de usar la herramienta y para impartirlas a otros.



ADVERTENCIA: Al utilizar aparatos eléctricos para el jardín, se recomienda respetar las precauciones de seguridad básicas que se detallan a continuación, a fin de reducir riesgos de incendios, descargas eléctricas y lesiones personales.

LEA TODAS LAS INSTRUCCIONES

NORMAS GENERALES DE SEGURIDAD

PIEZAS DE REPUESTO

Cuando realice el servicio, utilice solo piezas de repuesto idénticas.

ENCHUFES POLARIZADOS. Para reducir el riesgo de descarga eléctrica, este producto tiene un enchufe polarizado. Las conexiones polarizadas encajan de una sola manera. Cerciórese de que el extremo del receptáculo del cable de extensión tenga ranuras de anchos diferentes para los contactos. Invierta el enchufe si no encaja totalmente en el cable de extensión. Si aún así no encaja, consiga un cable de extensión adecuado. Si el cable de extensión no se adapta bien al tomacorriente, llame a un electricista competente para que instale un tomacorriente adecuado. No cambie el enchufe de la herramienta ni el cable de extensión de ningún modo.

EVITE AMBIENTES PELIGROSOS. No utilice este producto en condiciones de lluvia o tormenta ni en lugares húmedos o mojados. Tampoco trabaje en entornos donde existan gases o sustancias explosivas. Por lo general, los motores de estos productos producen chispas que podrían inflamar los gases. No lo uses bajo la lluvia.

MANTENGA ALEJADOS A LOS NIÑOS. Todos los visitantes, niños y mascotas deben mantenerse a una distancia segura de la zona de trabajo.

USE ROPA ADECUADA. No use prendas sueltas ni artículos de joyería. Use protección para cubrir y contener el cabello largo ya que puede quedar atrapado en las piezas móviles. Se recomienda usar guantes de goma y calzado resistente cuando se trabaja al aire libre.

USE GAFAS DE SEGURIDAD. Al trabajar con este producto, use gafas de seguridad con protectores laterales que cumplan con la norma ANSI Z87.1. Protéjase la cara con una mascarilla antipolvo si hay polvo en el ambiente.

USE LA HERRAMIENTA CORRECTA. No utilice este producto en trabajos para los que no esté indicado.

INTERRUPTOR DE CIRCUITO POR FALLA A TIERRA (ICFT). El circuito o tomacorriente que se usen para el rotocultivador deben contar con esta protección. Se puede utilizar uno de los receptáculos que tengan la protección de ICFT incorporada.



ADVERTENCIA: Para el exterior, use cables de extensión rotulados con las siguientes inscripciones: SW-A, SOW-A, STW-A, STOW-A, SJW-A, SJTWA o SJTOWA. Estos cables están especificados para usar al aire libre y reducir el riesgo de descarga eléctrica.

CABLE DE EXTENSIÓN. Asegúrese de que el cable de extensión esté en buenas condiciones. Además, compruebe que tenga el grosor suficiente para transportar la corriente que necesitará el producto. Un cable de extensión muy pequeño provocará una disminución en la tensión de la línea y, como resultado, una pérdida de potencia y recalentamiento. La siguiente tabla muestra el tamaño correcto que se debe usar según la longitud del cable y el amperaje de la etiqueta. Ante la duda, utilice el siguiente calibre más grueso. Cuanto más bajo es el número de calibre, más grueso es el cable.

Voltios	Calibre mínimo para los cables				
	Longitud total del cable en pies				
120V	0-25	26-50	51-100	101-150	151-300
240V	0-50	51-100	101-200	201-300	

Amperaje		Calibre AWG			
Más de	No más de	18	16	14	12
0	6	18	16	14	12
6	10	18	16	14	12
10	12	16	16	14	12
12	16	14	12	No se recomienda	

El cable de extensión y el cable de alimentación se pueden atar para evitar que se desconecten durante el uso. Realice el nudo como se muestra en la imagen y luego conecte el enchufe del cable de alimentación en el receptáculo del cable de extensión. Este método también se puede aplicar para unir dos cables de extensión.



Utilice una de las correas de sujeción del receptáculo o Conectores descritos en este manual.

Evite el arranque involuntario: no lleve el artefacto enchufado con el dedo en el interruptor. Asegúrese de que el interruptor esté apagado al enchufarlo.

NO MALTRATE EL CABLE. Nunca tire del cable para trasladar este producto ni para desconectarlo del receptáculo. Aleje el cable del calor, el aceite y los bordes filosos.

NO FUERCE UN APARATO: hará el trabajo mejor y con menos probabilidades de sufrir lesiones a la velocidad para la cual fue diseñado.

NO ADOpte UNA POSTURA INCÓMODA. Guíe el rotocultivador sólo a paso de hombre. Mantenga una base de apoyo firme y buen equilibrio en todo momento.

PONGA ATENCIÓN. Observe lo que está haciendo. Use el sentido común. No opere el rotocultivador si está cansado o bajo la influencia de drogas o medicamentos.


GENERAL SAFETY


DESCONECTE LA UNIDAD del suministro eléctrico cuando no esté en uso o durante el servicio de mantenimiento o la limpieza. Manténgala bajo vigilancia constante.


GUARDE LA UNIDAD BAJO TECHO. Cuando no esté en uso, el rotocultivador se deberá guardar en un lugar cerrado y seco, fuera del alcance de los niños.


PRESTE ATENCIÓN AL MANTENIMIENTO DE LA UNIDAD. Consérvela limpia para lograr un óptimo funcionamiento y reducir el riesgo de lesiones. Siga las instrucciones para lubricar y cambiar los accesorios. Inspeccione periódicamente el cable de la unidad, y si está dañado, haga que lo repare un centro de servicio autorizado. Inspeccione el cable de extensión periódicamente y reemplácelo si está dañado. Mantenga los mangos secos, limpios y libres de aceite.

VERIFIQUE LAS PIEZAS DAÑADAS. Antes de seguir usando el producto, se deberán revisar las piezas dañadas en forma exhaustiva para determinar si la herramienta funcionará correctamente y realizará el trabajo previsto. Compruebe la alineación y las uniones de las piezas móviles, el montaje, averías de componentes y otros factores que puedan afectar el funcionamiento. Se debe reparar o reemplazar cualquier pieza dañada en forma adecuada. Para recibir asistencia, comuníquese con nuestra línea de ayuda de atención al cliente al 1-800-618-7474.

 **ADVERTENCIA:** Mantenga las manos alejadas de las cuchillas.


 **DOBLE AISLAMIENTO.** El rotocultivador tiene doble aislamiento. Es decir que todas las piezas metálicas externas están aisladas del suministro eléctrico. Esto se logra con la introducción de una capa de aislamiento entre las piezas eléctricas y las mecánicas. El doble aislamiento le garantiza la mayor seguridad posible.


 **ADVERTENCIA:** para reducir el riesgo de descarga eléctrica, no exponga la unidad al agua ni la opere en un terreno húmedo.

 **ADVERTENCIA:** para reducir el riesgo de lesiones a personas, no lo haga funcionar sin las protecciones en su lugar.

Tenga presente el cable de extensión mientras opera el rotocultivador. Tenga cuidado de no tropezar con el cable. Mantenga el cable alejado de las púas.

PROTECCIÓN CONTRA RECALENTAMIENTO. Si el rotocultivador queda bloqueado por un objeto extraño o si el motor se sobrecarga, el motor se apagará automáticamente mediante el dispositivo de protección. Suelte la palanca del gatillo y espere a que el motor se enfríe (aprox. 15 minutos) antes de arrancar el rotocultivador nuevamente.

 **PRECAUCIÓN:** El rotocultivador puede rebotar hacia arriba o saltar hacia delante si las púas golpean suelo muy compactado o congelado, u obstáculos enterrados, como piedras grandes, raíces o tocones.


 **ADVERTENCIA:** Reemplace el cable dañado inmediatamente.

ILUMINACIÓN. Trabaje con el rotocultivador sólo con luz natural o buena luz artificial.

Para un funcionamiento seguro, no utilice el rotocultivador en pendientes demasiado pronunciadas. Cuando trabaje en pendientes, disminuya la velocidad y asegúrese de tener una buena base de apoyo.

Antes de encender el rotocultivador, cerciórese de que las púas no estén en contacto con ningún objeto y de que tengan libre movimiento.

Sujete la barra guía con ambas manos y con firmeza. No debe sujetarla nunca con una sola mano.


 **ADVERTENCIA:** No trabaje con el rotocultivador cerca de cables eléctricos, líneas telefónicas, tuberías o mangueras subterráneas.


Si el rotocultivador golpea un cuerpo extraño, apáguelo de inmediato, espere a que las púas se detengan y verifique si hay daños. Si fuera necesario, repare las piezas dañadas antes de volver a poner en marcha la herramienta.


Si el rotocultivador comienza a vibrar de manera inusual, apáguelo de inmediato y revíselo para detectar la causa. Generalmente, la vibración advierte la existencia de un problema.


PELIGRO: RIESGO DE CORTES. Use guantes y sea prudente cuando limpie o realice el mantenimiento al rotocultivador.

Siempre apáguelo; desconéctelo del suministro eléctrico y espere hasta que las púas se detengan por completo antes de realizar tareas de mantenimiento o reparaciones.

 **PRECAUCIÓN:** Las púas no se detienen de inmediato cuando se apaga el rotocultivador.

 **PRECAUCIÓN:** Riesgo de lesiones. No acerque ninguna parte de su cuerpo, ni prendas de vestir a las púas giratorias.

 **ADVERTENCIA: Proposición 65 de California:** Este producto contiene sustancias químicas al estado de California como causantes de cáncer, defectos de nacimiento u otros problemas reproductivos.

 **ADVERTENCIA:** Parte del polvo y los desechos generados por el uso de esta herramienta contienen químicos reconocidos por el Estado de California como causantes de cáncer, defectos de nacimiento u otros efectos nocivos para el aparato reproductor. Algunos ejemplos de estos productos químicos son:

- químicos presentes en fertilizantes
- compuestos presentes en insecticidas, herbicidas y pesticidas
- arsénico y cromo de maderas tratadas químicamente

El riesgo que usted corre al exponerse a estos químicos varía según la frecuencia con la que realiza este tipo de trabajo. Para reducir la exposición, trabaje en una zona bien ventilada y utilice equipo de protección aprobado, como mascarillas antipolvo especialmente diseñadas para filtrar partículas microscópicas.

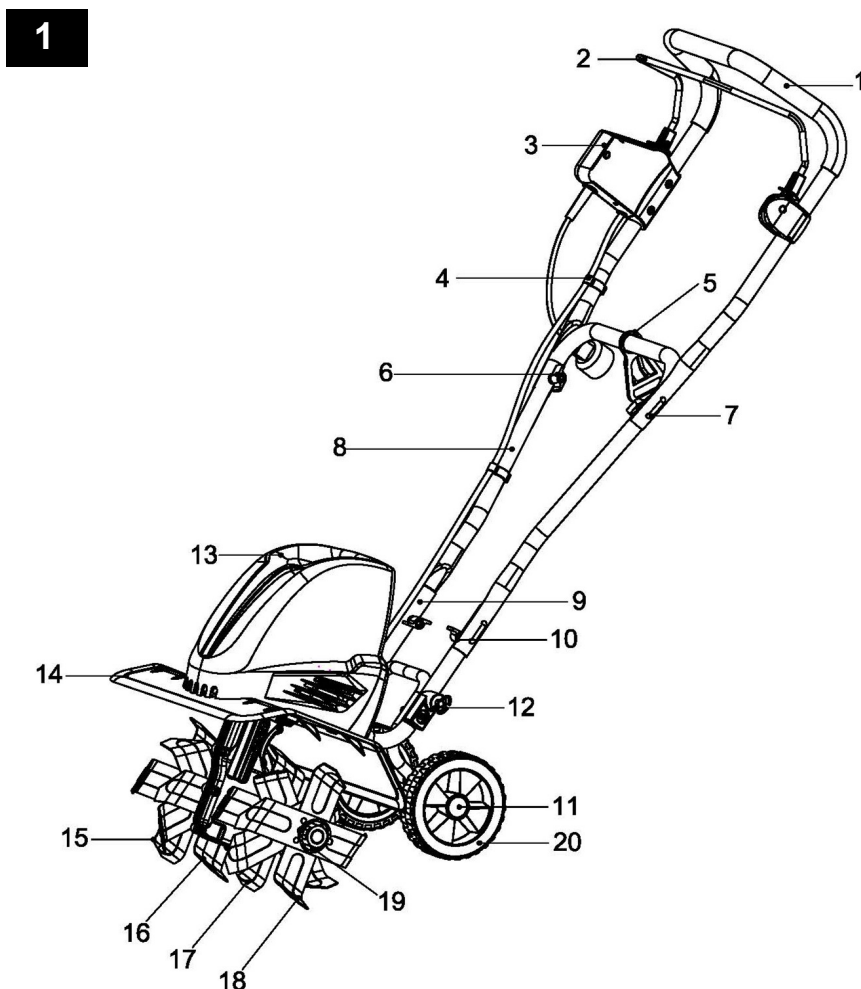
 **ADVERTENCIA:** Cáncer y Daño Reproductivo - www.P65Warnings.ca.gov.

ESPECIFICACIONES DEL PRODUCTO

Modelo: TC70135S

Voltaje del suministro eléctrico: 120V-60HZ
 Velocidad de las púas: 360 RPM
 Consumo de potencia: 13.5 amperios

Ancho de trabajo: 28 u 40 cm (11 u 16 pulg.)
 Profundidad máx. de trabajo: 20 cm (8 pulg.)

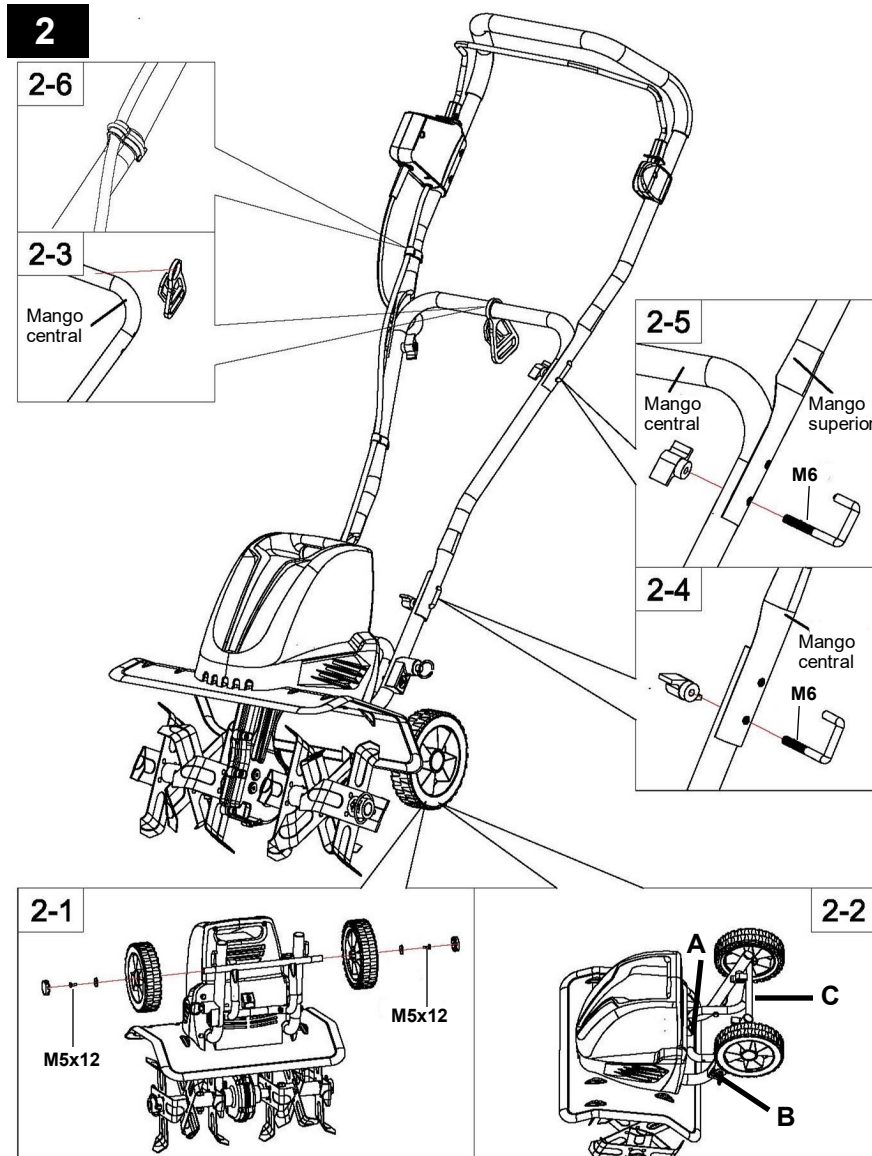


N.º	Descripción	N.º	Descripción
1	Mango superior	11	Tapa del cubo de la rueda
2	Gatillo	12	Pasador de bloqueo
3	Conjunto de cable de alimentación e interruptor	13	Caja del motor
4	Sujetador de cable	14	Escudo protector
5	Retenedor de cable	15	Púa D
6	Tuerca mariposa	16	Púa C
7	J-perno M6	17	Púa B
8	Mango central (RTC70016-07)	18	Púa A
9	Mango inferior - II (RTC70016-16)	19	Pasador de bloqueo
10	Mango inferior - I (RTC70016-09)	20	Rueda

MONTAJE

Este producto debe ser montado correctamente antes de su uso.

1. Retire los tornillos (M5 X 12) y arandelas del bastidor de las ruedas. Inserte las ruedas en el eje del bastidor, luego fije las arandelas y los tornillos (M5 X 12). (Fig. 2-1)
2. Coloque las cubiertas de las ruedas en las ruedas y cubra los extremos de los ejes. Puede usar un martillo para asentar bien las cubiertas. (Fig. 2-1)
3. Para bajar el bastidor de las ruedas, oprima el botón de bloqueo que se encuentra en la parte trasera de la caja del motor para soltar el bastidor (Paso A). Baje el bastidor de las ruedas (Paso B) y tire del pasador de bloqueo que se encuentra en el mango inferior (Paso C). Alinee el pasador de bloqueo con el orificio del bastidor de las ruedas, luego suéltelo para trabar el bastidor en posición. (Fig. 2-2)
4. Deslice el retenedor de cable en el mango central. (Fig. 2-3)
5. Conecte el mango central al mango inferior utilizando los dos J-pernos M6 y las tuercas mariposa que se suministran. (Fig. 2-4)
6. Ajuste el mango superior al mango central utilizando los dos J-pernos M6 y las tuercas mariposa que se suministran. (Fig. 2-5)
7. Utilice los dos sujetadores de cable suministrados para sujetar el cable. (Fig. 2-6)



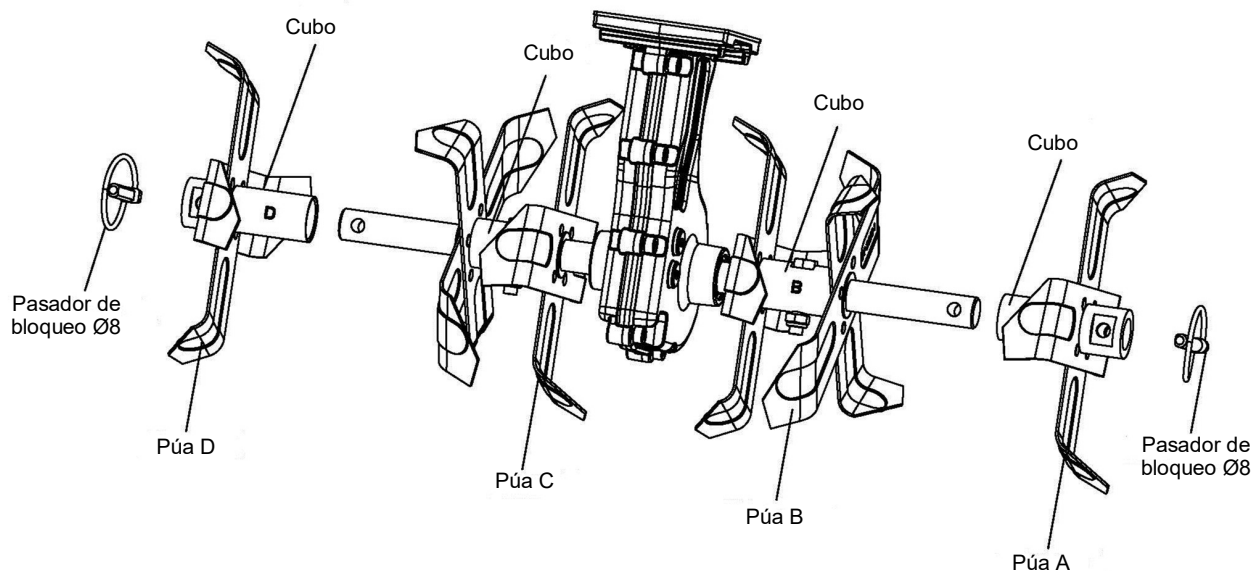
ADVERTENCIA: Si alguna pieza falta o está dañada, no utilice este producto hasta reponer la pieza en cuestión. De lo contrario, podría sufrir lesiones personales de gravedad. Comuníquese con nuestra línea de ayuda de atención al cliente al 1-800-618-7474 para recibir asistencia.

ADVERTENCIA: No intente modificar la unidad ni elaborar accesorios no recomendados para usar con este producto. Dicha clase de alteración o modificación constituye un uso inadecuado de la herramienta y podría generar situaciones de riesgo y provocar lesiones personales de gravedad.

ADVERTENCIA: No conecte la herramienta al suministro eléctrico hasta finalizar el montaje. De lo contrario, la máquina podría arrancar accidentalmente y provocar lesiones personales de gravedad.

INSTRUCCIONES SOBRE EL CONJUNTO DE PÚAS AJUSTABLES

3



Las púas están identificadas (A, B, C, D) con letras estampadas en los cubos de púas.

CAMBIO DE SEIS PÚAS A CUATRO PÚAS

Levante los aros de los pasadores de bloqueo y retire los pasadores de bloqueo situados en ambos extremos del eje. Retire las púas A y D del eje. (Fig. 3)



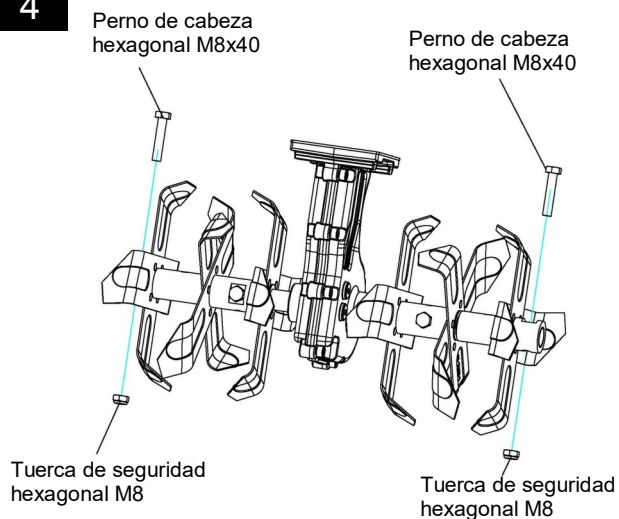
ADVERTENCIA: Antes de ajustar el conjunto de púas, desconecte el suministro de energía. De lo contrario, podría sufrir lesiones corporales serias.

CAMBIO DE CUATRO PÚAS A SEIS PÚAS

Instale las púas A y D en el eje tal como se muestra. Cerciérese de que los orificios en los cubos de púas y el eje estén alineados. Inserte el pasador de bloqueo a través de los orificios y empuje el aro del pasador de bloqueo hacia abajo para bloquear el pasador en el lugar. Cerciérese de instalar las púas como se muestra en la Fig. 3. Las púas no pueden sujetarse si se ensamblan en otra secuencia de posición de las púas. (Fig. 3)

En caso de que se pierdan o se extravíen los pasadores de bloqueo, las púas A y D pueden sujetarse mediante los pernos de cabeza hexagonal M8x40 y las tuercas de bloqueo M8 adicionales que se suministraron. (Fig. 4)

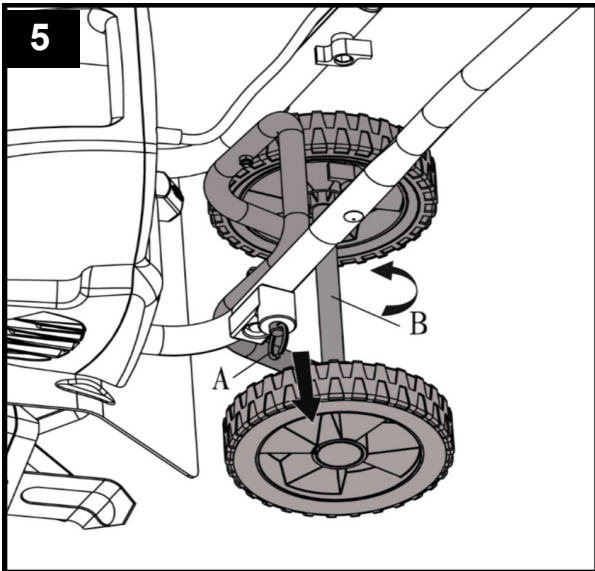
4



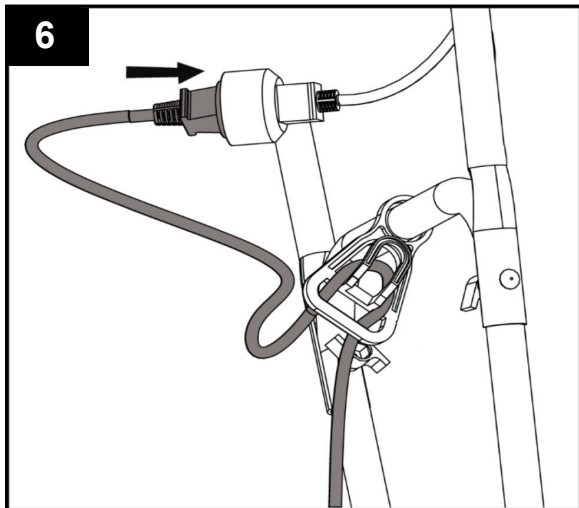
FUNCIONAMIENTO

ENCENDIDO:

Antes de encender el rotocultivador, cercirese de que el bastidor de las ruedas est levantado. Para levantarlo, tire del pasador de bloqueo (Paso A), gire hacia arriba el bastidor de las ruedas, pasando por encima del botn de bloqueo que se encuentra en la parte trasera de la caja del motor (Paso B), y suelte el pasador de bloqueo. El botn de bloqueo trabar el bastidor de las ruedas en su lugar. (Ver Fig. 5)



Asegure el cable de extensin en el retenedor de cable. El lazo del cable de extensin debe ser lo suficientemente largo para que el retenedor de cable se deslice libremente de un lado al otro. Enchufe el cable de extensin en el enchufe del cable de alimentacin del rotocultivador. (Ver Fig. 6)



Transporte el rotocultivador hasta el rea de trabajo antes de arrancar el motor.

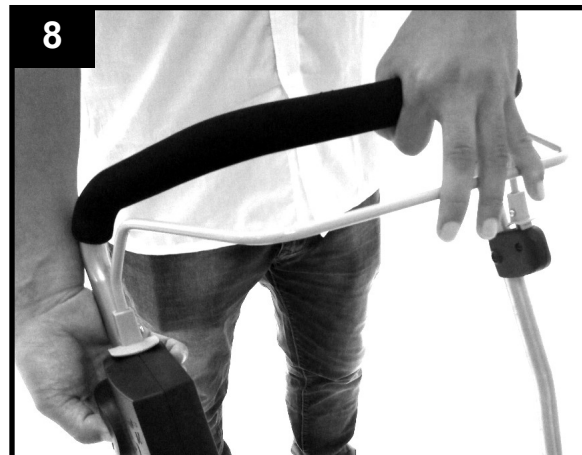
ADVERTENCIA: No ponga en funcionamiento el rotocultivador si una persona u objeto se encuentra en su recorrido.

Sostenga el rotocultivador firmemente mientras lo enciende. Las pas llevarn el rotocultivador hacia delante durante la operacin. Baje las pas lentamente hacia la superficie que se va a labrar.

Para poner en marcha el rotocultivador/cultivador, agarre firmemente el centro de la manija con su mano izquierda. Con su mano derecha, presione el botn de bloqueo de seguridad en la caja del interruptor, y mantngalo presionado para poder activar el gatillo de control del interruptor. (Ver Fig. 7)



Use los dedos pulgar e ndice de su mano izquierda para mantener la manija con firmeza, luego tire el gatillo de control del interruptor hacia la manija. (Ver Fig. 8) Libere el botn de bloqueo de seguridad una vez que la unidad est en marcha.



Contine sosteniendo el gatillo de control del interruptor contra el mango del rotocultivador mientras lo utiliza. Use ambas manos para sostener firmemente la manija y brindar un mejor control. (Ver Fig. 9)



Para detenerlo, simplemente suelte el gatillo.

FUNCIONAMIENTO

.Utilice el rotocultivador para cavar el césped, preparar semilleros, y para cultivar jardines y canteros de flores. Esta herramienta también puede cavar pequeños pozos para plantar vástagos o plantas en macetas.

Para cavar el césped o labrar en profundidad, deje que las púas tiren el rotocultivador hacia delante hasta el extremo del alcance de su brazo, luego tírelo firmemente hacia usted. Obtendrá los mejores resultados si deja que la herramienta avance y retroceda repetidamente.

Al tirar el rotocultivador hacia usted, las púas cavarán con más profundidad y más intensidad.

Para evitar que se desconecte, tome precauciones adicionales al moverse hacia atrás y al tirar el rotocultivador hacia usted.

Si el rotocultivador cava lo suficientemente profundo para mantenerse en un solo lugar, muévelo suavemente de un lado hacia otro hasta que comience a avanzar otra vez.

No pase el rotocultivador sobre el cable de extensión. Cerciórese de que el cable esté siempre en una posición segura detrás suyo.

Cuando trabaje en pendientes, siempre párese en diagonal con respecto a la inclinación para conservar una base de apoyo firme y segura. No trabaje en pendientes demasiado pronunciadas.

Para preparar semilleros, recomendamos usar estos patrones de labranza:

Patrón de labranza A: Realice dos pasadas sobre el área a ser labrada, la segunda en ángulo recto con respecto a la primera.

Patrón de labranza B: Realice dos pasadas sobre el área a ser labrada, la segunda superpuesta a la primera.

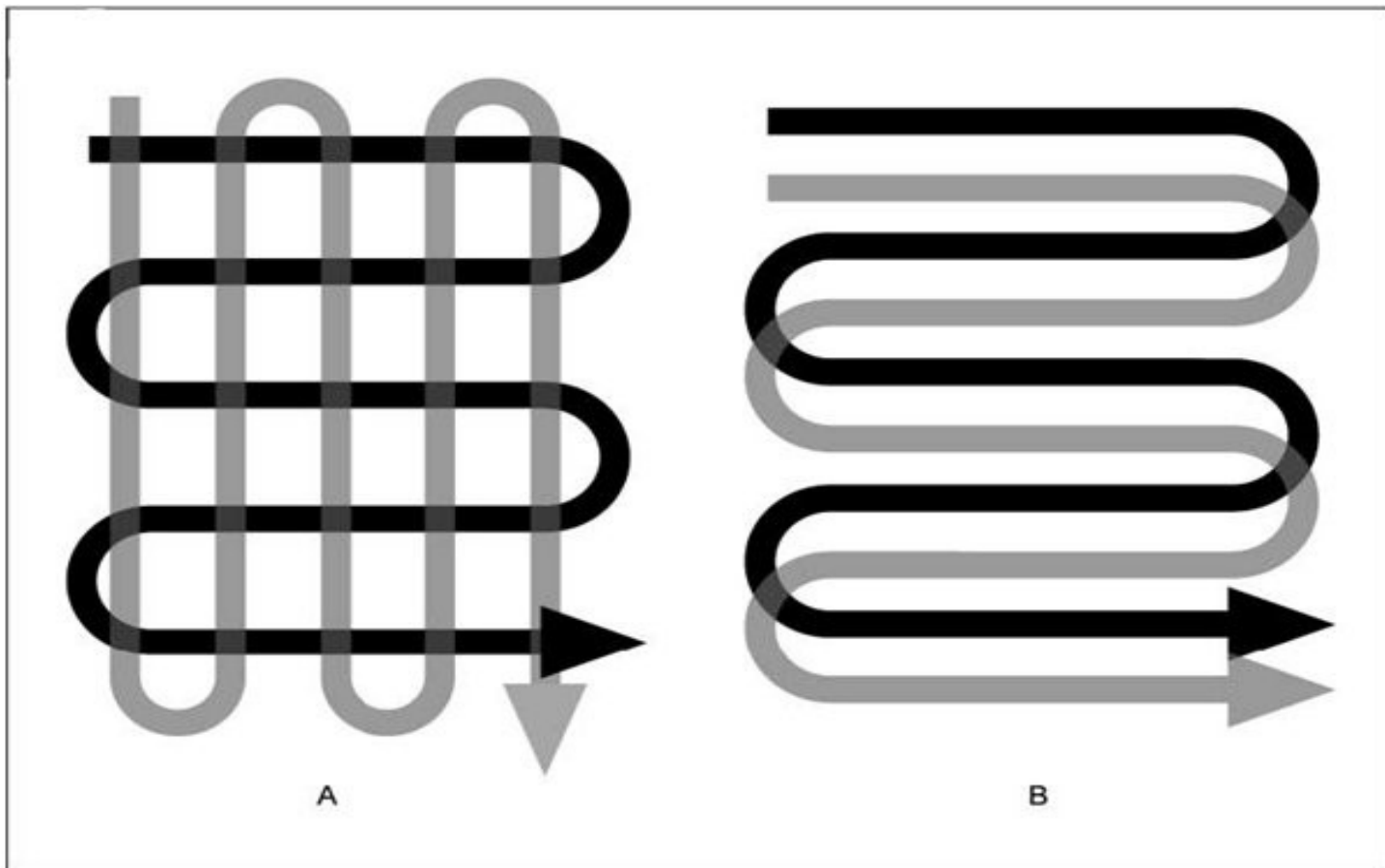
Antes de usar, retire las piedras u otros cuerpos extraños visibles del área.



PRECAUCIÓN: Antes de mover el rotocultivador de un área a otra, desconecte el motor y espere a que las púas se detengan por completo. Sea cuidadoso y evite que las púas toquen el suelo cuando mueva el rotocultivador. Las púas y también la unidad pueden dañarse aún cuando el motor está desconectado.

Quitar los objetos extraños:

Durante la operación, es posible que queden piedras o raíces atascadas en las púas, o que queden pastos altos o malezas en el eje de las púas. Para despejar las púas o su eje, suelte la palanca del gatillo, espere a que las púas se detengan por completo y desenchufe el rotocultivador. Desplace o retire las sustancias extrañas de las púas o de su eje. Para retirar el césped alto o las malezas del eje de las púas con facilidad, quite una o más púas. Consulte la sección Extracción e instalación de púas.



ADVERTENCIA: Antes de realizar tareas de mantenimiento, desconecte el suministro eléctrico.

Antes de cada uso, revise el cable de extensión para detectar si está gastado o dañado. Reemplácelo si tiene grietas, fisuras u otro tipo de daños. Inspeccione el estado de las púas y asegúrese de que todas las conexiones roscadas estén firmemente ajustadas. Si las púas se desafilan, afílelas o reemplácelas. Comuníquese con nuestra línea de ayuda de atención al cliente al 1-800-618-7474 para recibir asistencia.

Una vez por estación, lubrique las púas y el eje. Al final de la estación, inspeccione el rotocultivador para detectar daños antes de guardarlo. Repare o reemplace las piezas dañadas o rotas.

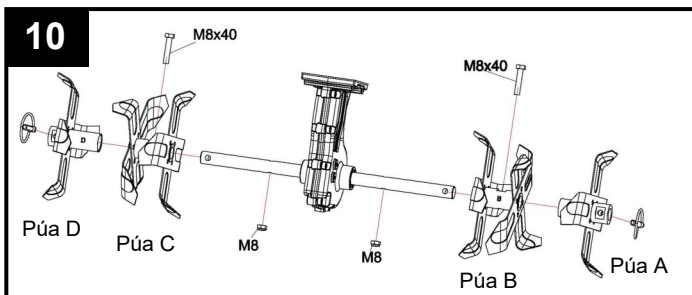
PRECAUCIÓN: Limpie siempre el rotocultivador después de cada uso. Si no se realiza una correcta limpieza del rotocultivador, éste podría dañarse o no funcionar correctamente.

Limpie la parte interior de la caja y la placa de soporte del motor alrededor de las púas con un cepillo de fregar y un paño humedecido con una mezcla de jabón suave y agua. **No utilice una manguera con agua para limpiar el rotocultivador.** Para quitar la tierra y los residuos de la transmisión y las púas, utilice un cepillo rígido o un paño húmedo. Limpie las ventilaciones de la caja del motor y retire los restos de césped o suciedad. Después de limpiarlos, seque las púas y el eje, y aplique una capa fina de aceite para evitar el óxido.

Mantenimiento de las púas: Las púas gastadas producen malos resultados y sobrecargan el motor. Inspeccione las púas antes de cada uso. Afíle o reemplace las púas gastadas por nuevas, cuando sea necesario. Llame al 1-800-618-7474 para obtener asistencia.

ADVERTENCIA: Se pueden producir lesiones mientras se trabaja con las púas. Utilice guantes de protección.

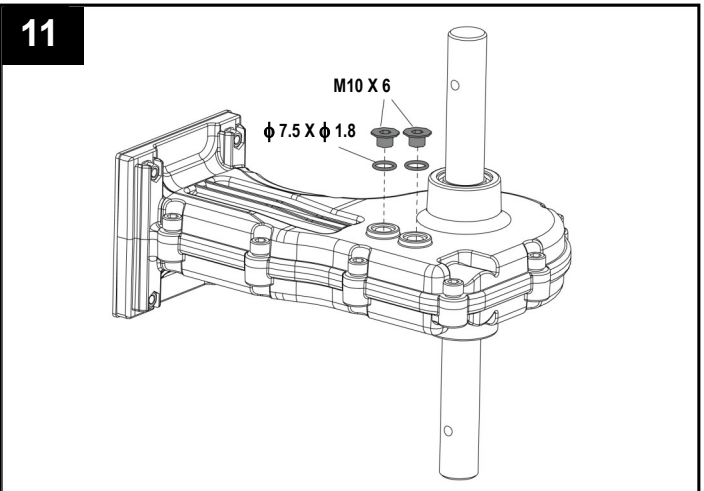
Extracción e instalación de púas (Fig. 10)
Levante los aros de los pasadores de bloqueo y retire los pasadores de bloqueo situados en ambos extremos del eje. Retire las púas A y D del eje. Retire los pernos M8x40 y las tuercas hexagonales M8 situados en ambos extremos del eje. Retire las púas B y C del eje. Para instalar las púas, realice los pasos anteriores en el orden inverso.



Reemplace las piezas gastadas o dañadas sólo con piezas de repuesto originales. Las piezas provenientes de otro rotocultivador pueden no adaptarse adecuadamente, lo que provocaría una situación de inseguridad.

Cerciórese de que todos los dispositivos de protección estén bien firmes y en buenas condiciones. Repare o reemplácelos, si fuera necesario.

Lubricación (Fig. 11): La caja de transmisión de las púas viene engrasada de fábrica. No es necesario controlar el nivel de grasa ni se recomienda agregarle grasa durante los 2 primeros años de uso. Después de la segunda temporada de uso, siga las indicaciones que se describen a continuación:



Los tapones roscados de drenaje están ubicados a la derecha de la caja de la transmisión. Coloque el rotocultivador sobre el lado izquierdo y quite la suciedad o los desechos de la transmisión antes de retirar ambos tapones roscados de drenaje. Si fuera necesario, quite el conjunto de las púas para tener mejor acceso a los tapones roscados de drenaje. Utilice una llave hexagonal de 5 mm para desenroscar los tapones.

Utilizando un envase o una botella que se pueda presionar, agregue aproximadamente 70ml (2,4 oz.) de lubricante para engranaje de automóviles. No permita que rebalse. Cuando haya terminado, vuelva a colocar los dos tapones roscados de drenaje en la transmisión.

ALMACENAMIENTO

Guarde el rotocultivador en un lugar seco y limpio, y fuera del alcance de los niños.

Durante períodos largos de almacenamiento, asegúrese de que el rotocultivador esté protegido de la corrosión.

Al final de la temporada, o si el rotocultivador no se utilizó durante más de un mes, pase un paño impregnado con aceite por todas las superficies metálicas para protegerlas de la corrosión o rocíelas con una capa fina de aceite. Pliegue la barra guía hacia abajo y almacene el rotocultivador en un lugar apropiado.

DETECCIÓN Y SOLUCIÓN DE PROBLEMAS

Problema	Posibles causas	Solución
El motor no arranca	<p>La unidad no está enchufada</p> <p>No hay electricidad</p> <p>Cable defectuoso</p> <p>Interruptor de seguridad o enchufe defectuosos</p> <p>Protección contra recalentamiento activada</p>	<p>Enchufe la unidad.</p> <p>Revise el suministro eléctrico.</p> <p>Revise el cable. Repare o reemplácelo, si fuera necesario.</p> <p>Disponga su reparación.</p> <p>1. La profundidad de trabajo es demasiado grande, determine una profundidad menor. 2. Las cuchillas están bloqueadas, quite la obstrucción. 3. El suelo es demasiado duro, seleccione una profundidad de trabajo correcta y mueva hacia adelante y hacia atrás varias veces mientras reduce la velocidad de trabajo. Espere unos 15 minutos hasta que el motor se enfríe antes de volver a usar la herramienta.</p>
Ruidos extraños	<p>La cuchilla está atascada</p> <p>Falta de lubricación</p> <p>Pernos, tuercas u otros componentes flojos</p>	<p>Apague la unidad. Espere hasta que las púas se detengan por completo. Quite los objetos atascados.</p> <p>El rotocultivador debe ser reparado. Comuníquese con nuestra línea de ayuda de atención al cliente al 1-800-618-7474 para recibir asistencia.</p> <p>Ajuste bien todos los componentes. Disponga la reparación si persisten los ruidos.</p>
Vibraciones inusuales	<p>Las cuchillas están dañadas o gastadas</p> <p>La profundidad de trabajo es demasiado grande</p>	<p>Reemplace las cuchillas dañadas o gastadas.</p> <p>Fije a la profundidad de trabajo correcta.</p>
Resultados no deseados	<p>La profundidad de trabajo es demasiado reducida</p> <p>Cuchillas gastadas</p>	<p>Fije a la profundidad de trabajo correcta.</p> <p>Reemplace las cuchillas dañadas o gastadas.</p>

¡LLÁMENOS PRIMERO!

Si tiene preguntas sobre el funcionamiento o el mantenimiento de su rotocultivador al 1-800-618-7474, de 8:00 a 17:00, hora estándar del este, o obtener asistencia en scotts.americanlawnmower.com.

PIEZAS Y SERVICIO

Para solicitar repuestos o servicio técnico, llame al 1-800-618-7474 o visite nuestra página web scotts.americanlawnmower.com. Asegúrese de proporcionar toda la información relevante cuando nos llame o visite.

REPUESTOS (KITS / ARTÍCULOS)

El número de modelo/ de serie de esta herramienta se encuentra en una placa o etiqueta adjunta a la caja. Registre el número de serie en el espacio provisto a continuación.

MODELO N.º TC70135S

NÚMERO DE SERIE _____

Mencione siempre el serial del modelo cuando ordene kits para el mismo.

N.º	Número de kit/ Número de artículo	Descripción	Cantidad
1	RTC135S-TK	Kit de púa	1
2	RTC135/105S-HDW	Kit de hardware	1
3	RTC135/105S-WK	Kit de ruedas	1
4	RTC135/105S-HK	Kit de manija	1

¡LLÁMENOS PRIMERO!

Si tiene preguntas sobre el funcionamiento o el mantenimiento de su rotocultivador al 1-800-618-7474, de 8:00 a 17:00, hora estándar del este, o obtener asistencia en scotts.americanlawnmower.com.



MANUAL DEL OPERARIO TC70135S Rotocultivador

Copyright. Todos los derechos reservados.

GARANTÍA Política de garantía de Scotts

- **Garantía limitada de 3 años** para todos los rotocultivadores con cable Scotts a partir de la fecha de compra cuando se utilizan para uso personal, doméstico o familiar.
The Great States Corp. (GSC) garantiza al propietario original que este producto y pieza de servicio Scotts están libres de defectos de materiales y mano de obra y acepta reparar o reemplazar cualquier producto o pieza defectuosa durante el período de garantía indicado anteriormente.
- La garantía queda anulada si se utiliza con fines comerciales o industriales o cualquier otro uso inadecuado según lo determine GSC.
- La garantía no incluye las reparaciones necesarias debido al abuso o negligencia del operador (incluyendo la sobrecarga del producto más allá de su capacidad o la inmersión en agua), o la falta de montaje, operación, mantenimiento o almacenamiento del producto de acuerdo con las instrucciones del manual del propietario.
- Esta garantía no cubre
 - ◇ Elementos de desgaste, incluyendo pero no limitado a: correas y engranajes de transmisión, púas, cuchillas de cortadoras, hojas de segadora, cadenas de motosierra, hojas de trituración, ventiladores, cubiertas de carretes, hilo de desbrozadora, tubos de soplador y de vacío, barras guía, mangueras de alta presión, ruedas, manijas, barrenas, bolsas desgastadas, cables de alimentación y otros elementos que se someten a desgaste a lo largo del tiempo.
 - ◇ Desgaste de las baterías, incluyendo pero no limitado a: caídas, desgaste y rotura del cargador, exposición a oscilaciones extremas de temperatura (caliente o fría), batería dejada en el cargador demasiado tiempo, batería dejada sin cargar por demasiado tiempo, y mal uso o abuso de la batería.
- Esta garantía no cubre los daños causados por el frío, el calor, la lluvia, el exceso de humedad u otras condiciones ambientales extremas.
- Esta garantía no cubre el deterioro normal del acabado exterior ni el desgaste normal de los productos, incluidos, entre otros, los arañazos, grietas, abolladuras o daños causados por productos químicos externos.
- Esta garantía no es transferible y sólo se aplica a productos nuevos vendidos directamente por un distribuidor autorizado. Esta garantía no se aplica a ningún producto, nuevo o usado, comprado a través de canales de terceros no autorizados. Para obtener información sobre distribuidores autorizados, comuníquese con nuestra línea de ayuda de asistencia al cliente llamando al 1-800-618-7474 (de lunes a viernes, de 8 a.m. a 5 p.m., hora del este).
- Cualquier pérdida, daño o gasto incidental, indirecto o consecuente que pueda derivarse de cualquier defecto o mal funcionamiento de los productos no está cubierto por la garantía.
- La garantía no incluye la instalación, el montaje o los ajustes normales que se explican en el manual del operador. Los gastos de entrega del producto al vendedor y los gastos de devolución del producto o de las piezas de recambio al propietario no están cubiertos por la garantía.

Limitaciones adicionales de la garantía

Algunos estados no permiten la exclusión o limitación respecto de la duración de una garantía implícita; por lo tanto, es posible que las limitaciones enunciadas anteriormente no le correspondan. Los productos vendidos con averías o incompletos, vendidos en las condiciones que se encuentren, o vendidos como reacondicionados no están cubiertos por la garantía.

Daños ni inconvenientes causados por envío, manipulación inadecuada, instalación incorrecta, voltaje incorrecto, cableado incorrecto, mantenimiento deficiente, modificaciones inadecuadas o el uso de accesorios o dispositivos de sujeción no recomendados específicamente no están cubiertos por la garantía.

Todos los reclamos de garantía deben estar acompañados de un comprobante de compra, recibo de compra original con fecha. Para reclamos vaya a scotts.americanlawnmower.com o llame a nuestra línea de ayuda de asistencia al cliente al 1-800-618-7474 de lunes a viernes, de 8 a. m. a 5 p. m., hora del este.



American Lawn Mower Company
The Great States Corporation
7444 Shadeland Station Way
Indianapolis, IN 46256
Estados Unidos
Teléfono 1-800-618-7474
scotts.americanlawnmower.com

Con el compromiso constante de mejorar la calidad, el fabricante se reserva el derecho de modificar los componentes o diseñar cambios cuando lo considere necesario.

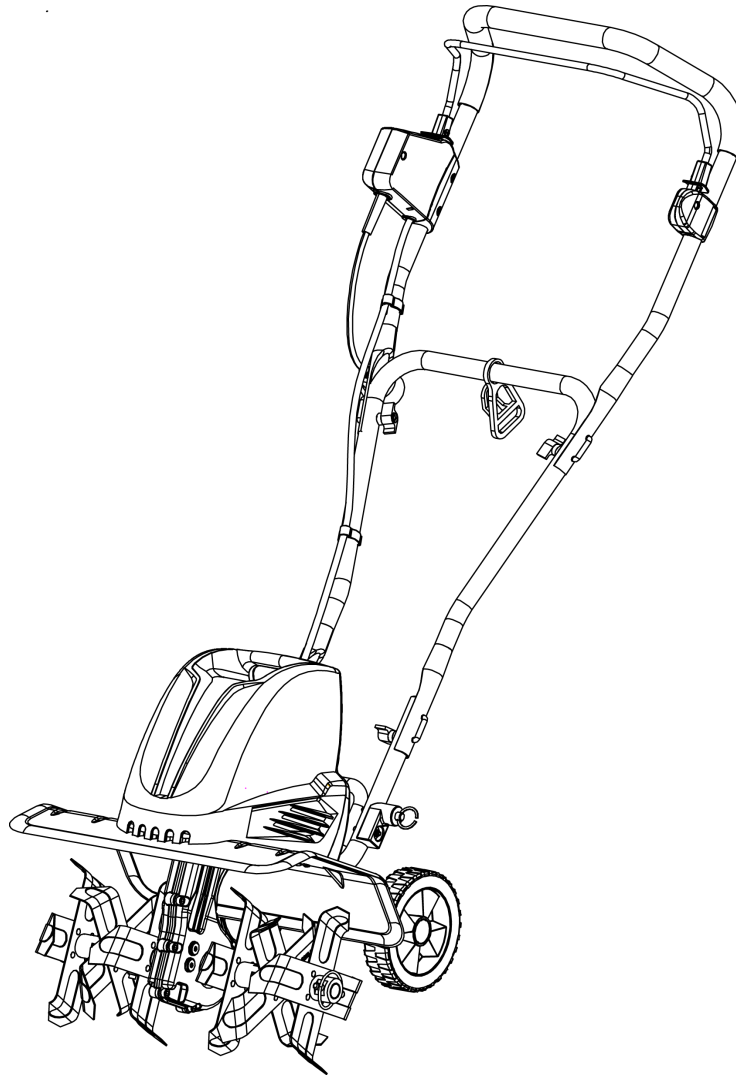


MANUEL DE L'UTILISATEUR

Cultivateur/griffe, 13,5 Ampères

Copyright. Tous droits réservés.

Modèle TC70135S



Ce produit a été conçu et fabriqué selon notre norme élevée de fiabilité, de facilité d'utilisation et de sécurité de l'utilisateur. Correctement entretenu, il vous procurera des années de service intensif et sans soucis.



AVERTISSEMENT : Afin d'éviter de se blesser, l'utilisateur doit lire et comprendre le manuel de l'utilisateur avant d'utiliser ce produit.

Merci pour votre achat.

NE RENVOYEZ PAS CE PRODUIT AU MAGASIN. AVEZ-VOUS DES QUESTIONS CONCERNANT LE FONCTIONNEMENT, L'ASSEMBLAGE, LES PIÈCES OU LA RÉPARATION DU PRODUIT? ALLEZ SUR SCOTTS.AMERICANLAWNMOWER.COM, OU COMPOSEZ LE 1-800-618-7474 ENTRE 08 h 00 et 17 h 00, HEURE NORMALE DE L'EST, POUR TOUTE ASSISTANCE.

CONSERVEZ CE MANUEL POUR POUVOIR LE CONSULTER ULTÉRIEUREMENT



AVERTISSEMENTS IMPORTANTS DE SÉCURITÉ



POUR RÉDUIRE LE RISQUE DE BLESSURE : Avant toute utilisation, assurez-vous que toute personne utilisant ce produit a lu et compris toutes les consignes de sécurité et les autres renseignements contenus dans ce manuel.



ATTENTION : Portez des protections appropriées pour les oreilles pendant l'utilisation. Dans certaines conditions et durées d'utilisation, le bruit émis par ce produit peut contribuer à une perte auditive.



Conservez ces instructions et relisez-les souvent avant d'utiliser le produit et pour instruire d'autres personnes quant à son utilisation.

AVERTISSEMENT : Lors de l'utilisation d'outils électriques de jardinage, les consignes de sécurité de base doivent toujours être suivies afin d'éviter les incendies, décharges électriques et blessures, notamment :

LIRE TOUTES LES INSTRUCTIONS

SÉCURITÉ GÉNÉRALE

PIÈCES DE REMPLACEMENT

Lors de l'entretien, utilisez uniquement des pièces de rechange identiques.

FICHES POLARISÉES – Afin de réduire le risque de décharge électrique, cet équipement comporte une prise polarisée. Les connexions polarisées ne peuvent être effectuées que dans un sens. Assurez-vous que la prise femelle de la rallonge comporte des emplacements pour une fiche large et une fiche étroite. Si la prise ne s'adapte pas entièrement dans la rallonge, inversez la prise. Si elle ne s'adapte toujours pas, obtenez une rallonge appropriée. Si la rallonge ne s'adapte pas entièrement dans la prise murale, contactez un électricien qualifié pour installer la prise correcte. Ne changez en aucun cas la prise de l'outil ou de la rallonge.

ÉVITER LES ENVIRONNEMENTS DANGEREUX –

N'utilisez pas ce produit sous la pluie, lors d'une tempête, ou dans des endroits humides ou mouillés. N'utilisez pas dans des atmosphères gazeuses ou explosives. Les moteurs de ces produits émettent normalement des étincelles, qui pourraient enflammer les vapeurs. Ne pas utiliser sous la pluie.

GARDER HORS DE PORTÉE DES ENFANTS – Tous les visiteurs, enfants et animaux domestiques doivent rester au-delà d'un périmètre de sécurité de la zone de travail.

S'HABILLER DE FAÇON APPROPRIÉE – Ne portez pas de vêtements amples ou de bijoux et utilisez une protection pour les cheveux longs le cas échéant. Ceux-ci peuvent être happés par des pièces mobiles. L'utilisation de gants en caoutchouc et de chaussures robustes est recommandée pour les travaux à l'extérieur.

PORTER DES LUNETTES DE SÉCURITÉ – Lors de l'utilisation de ce produit, portez des lunettes de sécurité avec des écrans latéraux affichant une marque de conformité à la norme ANSI Z87.1. Portez un masque facial ou anti-poussière si l'environnement est poussiéreux.

UTILISER LE BON OUTIL – N'utilisez pas ce produit pour une tâche pour laquelle il n'a pas été conçu.

Une protection par **DISJONCTEUR DE FUITE DE TERRE (GFCI)** doit être présente sur le ou les circuits ou prises à utiliser pour le cultivateur. Des prises avec une protection GFCI intégrée sont disponibles et peuvent être utilisées.



AVERTISSEMENT : Utilisez des rallonges extérieures marquées SW-A, SOW-A, STW-A, STOW-A, SJW-A, SJTWA ou SJTOWA. Ces câbles sont conçus pour une utilisation extérieure et réduisent le risque de décharge électrique.

RALLONGE – Assurez-vous que la rallonge est en bon état. Lors de l'utilisation d'une rallonge, assurez-vous qu'elle est d'un calibre suffisant pour transmettre le courant appelé par le produit. Une rallonge de calibre insuffisant provoquera une baisse

tension qui entraînera une perte de puissance et une surchauffe. Le tableau suivant montre le calibre correct à utiliser en fonction de la longueur du câble et de l'intensité nominale de la plaque signalétique. En cas de doute, utilisez le calibre immédiatement supérieur. Plus le numéro de calibre est bas, plus le câble est lourd.

Volts	Calibre minimum pour les ensembles de câbles			
	Longueur totale du câble en pieds			
120V	0-25	26-50	51-100	101-150
240V	0-50	51-100	101-200	201-300

Intensité nominale		Calibre américain (AWG)			
Supérieure à	Inférieure à				
0	- 6	18	16	16	14
6	- 10	18	16	14	12
10	- 12	16	16	14	12
12	- 16	14	12	Non recommandé	

Il est possible de nouer la rallonge et le câble d'alimentation afin de les empêcher de se déconnecter pendant l'utilisation. Effectuez le nœud comme illustré, branchez ensuite la prise du câble d'alimentation dans l'extrémité femelle de la rallonge. Cette méthode peut également être utilisée pour raccorder deux rallonges ensemble.



Utilisez l'une des sangles de retenue ou une connecteurs décrits dans ce manuel.

Évitez tout démarrage involontaire - Ne transportez pas votre appareil branché avec le doigt sur l'interrupteur. Assurez-vous que l'interrupteur est éteint lorsque vous branchez.

NE PAS TIRER SUR LE CÂBLE

D'ALIMENTATION – Ne portez jamais ce produit par le câble d'alimentation et ne tirez jamais celui-ci pour le débrancher. Maintenez le câble à l'écart de la chaleur, de l'huile et des bords tranchants.

NE FORCEZ PAS L'APPAREIL - Il fera le travail mieux et avec moins de risque de blessure au rythme pour lequel il a été conçu.

NE PAS DÉPASSER LES LIMITES DE

L'APPAREIL – Guidez le cultivateur/la griffe uniquement à une vitesse normale de marche. Gardez en tout temps une assise correcte et un bon équilibre.

RÊSTER VIGILANT – Regardez ce que vous faites. Faites preuve de bon sens. N'utilisez pas le cultivateur/la griffe si vous êtes fatigué ou sous l'influence de médicaments, de drogues ou d'alcool.

DÉBRANCHER L'APPAREIL de l'alimentation quand il n'est pas utilisé ou lors de l'entretien ou du nettoyage. Ne le laissez pas sans surveillance.

RANGER L'APPAREIL À L'INTÉRIEUR – Lorsqu'il n'est pas utilisé, le cultivateur/la griffe doit être rangé à l'intérieur dans un endroit sec et hors de portée des enfants.

GENERAL SAFETY

ENTREtenir L'APPAREIL AVEC SOIN –

Maintenez-le propre pour assurer un rendement optimal et réduire le risque de blessure. Suivez les instructions pour lubrifier et changer les accessoires. Inspectez régulièrement le cordon de l'appareil et, s'il est endommagé, faites-le réparer par un centre de service autorisé. Inspectez régulièrement la rallonge et remplacez-la si elle est endommagée. Maintenez les guidons secs, propres et exempts d'huile.

VÉRIFIER LES PIÈCES ENDOMMAGÉES –

Avant de poursuivre l'utilisation du cultivateur, toute pièce endommagée doit être vérifiée avec précaution afin de déterminer qu'elle fonctionnera correctement et remplira sa fonction prévue. Vérifiez l'alignement des pièces mobiles, si ces dernières sont coincées, si certaines pièces sont brisées, la qualité du montage et toute autre condition pouvant affecter le fonctionnement de l'outil. Toute pièce endommagée doit être correctement réparée ou remplacée. Appelez notre service clientèle au 1-800-618-7474 pour obtenir de l'assistance.



AVERTISSEMENT: Gardez les mains éloignées des lames.



DOUBLE ISOLATION – Le cultivateur/la griffe est doté d'une double isolation. Autrement dit, toutes les pièces externes en métal sont isolées de l'alimentation électrique. Ce résultat est obtenu en introduisant une couche isolante entre les pièces électriques et mécaniques. Cette double isolation vous assure la plus grande sécurité possible.



AVERTISSEMENT - Pour diminuer les risques de choc électrique, ne pas mouiller l'appareil ni l'utiliser sur un sol humide.



AVERTISSEMENT - Pour réduire les risques de blessures, ne pas utiliser sans les protecteurs.

Surveillez la rallonge lorsque vous utilisez le cultivateur/ la griffe. Veillez à ne pas trébucher dessus. Guidez toujours le câble loin des dents de l'appareil.

PROTECTION SURCHAUFFE –

Si le cultivateur/ la griffe est bloqué par un corps étranger ou si le moteur est surchargé, il est arrêté automatiquement par le dispositif de protection. Relâchez le levier de commande et laissez le moteur refroidir (environ 15 minutes) avant de redémarrer le cultivateur.

ATTENTION : Le cultivateur/la griffe peut rebondir vers le haut ou vers l'avant si les dents frappent du sol très tassé, gelé, ou des obstacles enfouis, comme des grosses pierres, des racines ou des souches.



AVERTISSEMENT: Remplacez immédiatement le cordon endommagé.

ÉCLAIRAGE – N'utilisez le cultivateur/la griffe qu'à la lumière du jour ou sous un bon éclairage artificiel.

N'utilisez pas le cultivateur/la griffe sur une pente trop abrupte pour assurer son fonctionnement sans danger. Lors d'un travail sur des pentes, ralentissez et assurez-vous d'avoir une bonne prise.

Avant de démarrer le cultivateur, assurez-vous que les dents ne touchent aucun objet et fonctionnent sans obstruction.

Tenez le guide fermement des deux mains. N'utilisez jamais le cultivateur/la griffe avec une seule main.



AVERTISSEMENT : N'utilisez pas le cultivateur/la griffe à proximité de câbles électriques, de lignes téléphoniques, de tuyaux ou de boyaux enfouis.

Si le cultivateur/la griffe heurte un corps étranger, arrêtez-le immédiatement, attendez que les dents arrêtent de tourner et vérifiez pour détecter des dommages. Si nécessaire, effectuez des réparations avant de le redémarrer.

Si le cultivateur/la griffe commence à vibrer de façon anormale, arrêtez-le immédiatement et recherchez la cause du problème. Des vibrations signalent généralement un problème.



DANGER : RISQUE DE COUPURES – Portez des gants et faites preuve de prudence lorsque vous nettoyez ou effectuez l'entretien du cultivateur/de la griffe.

Arrêtez toujours le cultivateur/la griffe, débranchez-le de la source d'alimentation électrique et attendez que les dents arrêtent complètement de tourner avant d'effectuer tout entretien ou réparation.



ATTENTION : Les dents ne s'arrêtent pas immédiatement de tourner après l'arrêt du cultivateur/de la griffe.



ATTENTION : Risque de blessures. N'approchez pas les mains, les pieds, toute partie du corps ou les vêtements des dents en rotation.



AVERTISSEMENT : Proposition 65 de la Californie : Ce produit contient des agents chimiques connus dans l'État de la Californie pour causer le cancer et des malformations congénitales ou autres appareil reproducteur.



AVERTISSEMENT : L'État de Californie considère que les poussières et débris créés par l'utilisation de cet outil sont susceptibles de contenir un ou plusieurs produits chimiques cancérigènes à l'origine de malformations congénitales ou d'autres troubles de l'appareil reproducteur. Parmi ces produits chimiques, citons :

- les produits chimiques contenus dans les engrais
- les composés d'insecticides, d'herbicides et de pesticides
- l'arsenic et le chrome du bois traité chimiquement

Votre risque d'exposition à ces produits chimiques varie en fonction de la fréquence d'exécution de ce type de travail. Afin de réduire l'exposition à ces produits chimiques, travaillez dans un endroit bien aéré et portez un équipement de sécurité homologué, comme un masque anti-poussière spécialement conçu pour filtrer les particules microscopiques.



AVERTISSEMENT : Cancer ET Troubles de l'appareil reproducteur - www.P65Warnings.ca.gov.

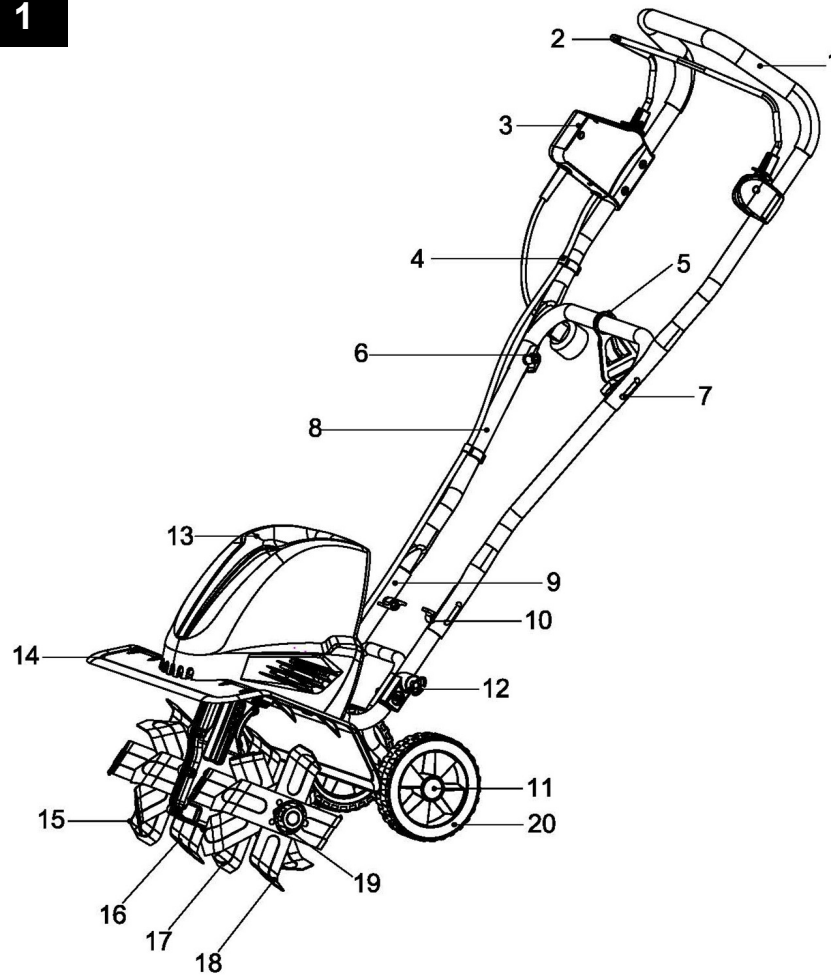
SPÉCIFICATIONS DU PRODUIT

Modèle : TC70135S

Tension d'alimentation : 120 V – 60 HZ
 Vitesse des peignes: 360 tr/m
 Consommation : 13.5 A

Largeur du sillon : 28 ou 40 cm (11 ou 16 po)
 Profondeur maximale de labour : 20 cm (8 po)

1

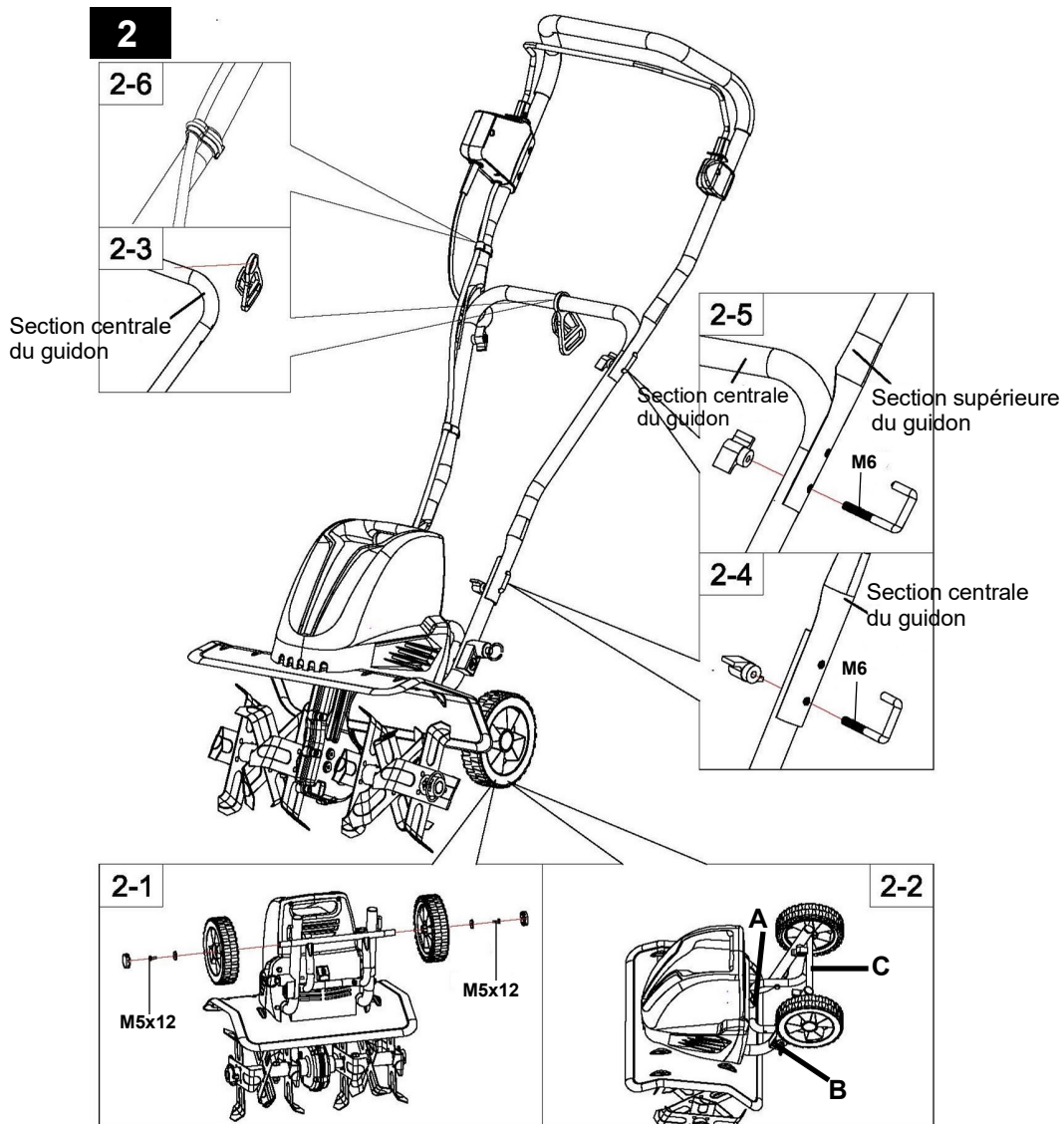


N°	Description	N°	Description
1	Section supérieure du guidon	11	Enjoliveur de roue
2	Fil	12	Tige de verrouillage
3	Ensemble contacteur et câble d'alimentation	13	Carter du moteur
4	Attache de câble	14	Tôle de protection
5	Dispositif de retenue de câble	15	Peigne D
6	Écrou à oreilles	16	Peigne C
7	J-boulon M6	17	Peigne B
8	Section centrale du guidon	18	Peigne A
9	Section inférieure du guidon - II	19	Tige de verrouillage
10	Section inférieure du guidon - I	20	Roue

ASSEMBLAGE

Ce produit doit être assemblé correctement avant d'être utilisé.

1. Enlevez les vis (M5 x 12) et les rondelles du châssis de roue. Insérez les roues sur l'essieu du châssis de roue, puis fixez les rondelles et les vis (M5 x 12) pour assujettir solidement. (Fig. 2-1)
2. Pressez pour enfoncer les garde-roue dans la roue et les garde-roue aux extrémités des essieux. Vous pouvez utiliser un marteau pour les asseoir solidement dans les roues. (Fig. 2-1)
3. Abaissez le châssis de roue en appuyant sur le bouton de verrouillage à l'arrière du carter de moteur pour dégager le châssis (Étape A). Abaissez le châssis de roue (Étape B) et retirez la goupille de verrouillage de la section inférieure du guidon (Étape C). Alignez la goupille de verrouillage avec le trou dans le châssis de roue, puis relâchez-la pour verrouiller en position le châssis de roue. (Fig. 2-2)
4. Faites glisser le dispositif de retenue de câble sur la section centrale du guidon. (Fig. 2-3)
5. Fixez la section centrale du guidon aux sections inférieures du guidon en utilisant les deux J-boulons M6 et les écrous à oreille fournis. (Fig. 2-4)
6. Attachez la section supérieure du guidon à la section centrale du guidon en utilisant les deux J-boulons M6 et les écrous à oreille fournis. (Fig. 2-5)
7. Utilisez les deux attaches de câble fournies pour fixer solidement le câble. (Fig. 2-6)



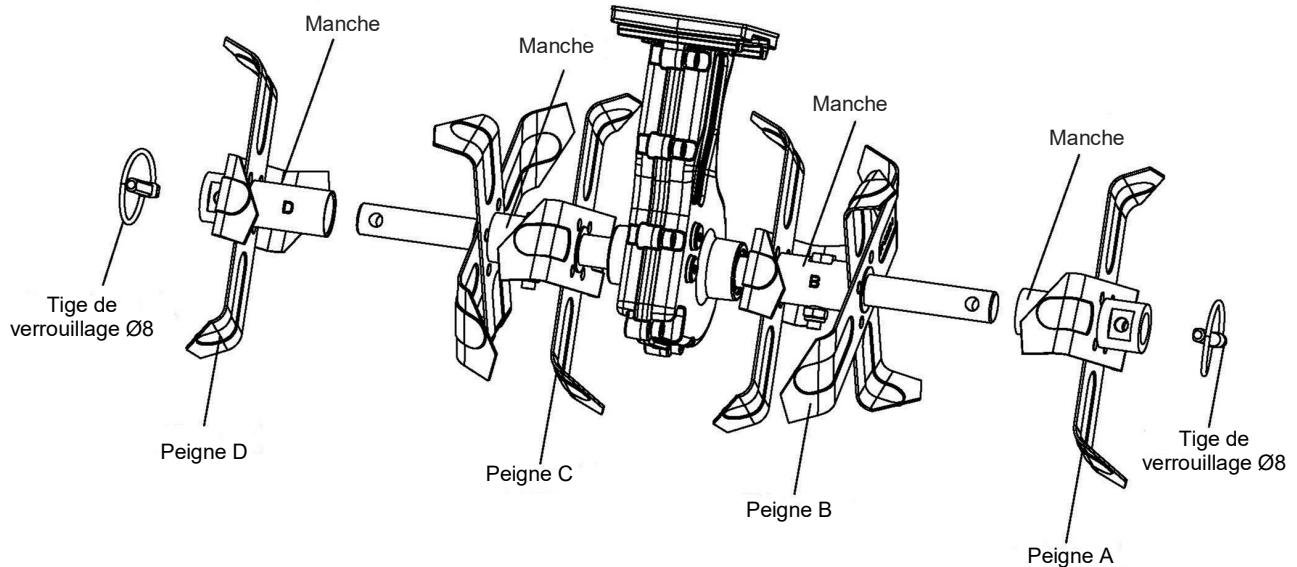
AVERTISSEMENT : Si des pièces sont endommagées ou manquantes, n'utilisez pas ce produit tant qu'elles ne sont pas remplacées. Le non-respect de cette consigne peut entraîner des blessures graves. Appelez notre service clientèle au 1-800-618-7474 pour obtenir de l'assistance.

AVERTISSEMENT : Ne tentez pas de modifier ce produit ou de créer des accessoires non recommandés pour ce produit. Toute altération ou modification de ce type constitue une utilisation abusive et peut provoquer une condition dangereuse entraînant des blessures graves possibles.

AVERTISSEMENT : Ne branchez pas l'alimentation tant que l'assemblage n'est pas terminé. Le non-respect de cette consigne peut entraîner un démarrage accidentel pouvant causer des blessures graves.

INSTRUCTION D'ASSEMBLAGE DU PEIGNE RÉGLABLE

3



Les peignes sont identifiés (A, B, C, D) avec les lettres estampées dans les manchons du peigne.

PASSER DE SIX PEIGNES À QUATRE PEIGNES

Levez les anneaux de la tige de verrouillage et enlevez les tiges de verrouillage aux deux extrémités de l'axe. Enlevez les peignes A et D de l'axe. (Fig. 3)

AVERTISSEMENT: Avant d'ajuster l'assemblage du peigne, débranchez l'alimentation. Le non-respect de cette consigne peut entraîner des blessures graves.

PASSER DE QUATRE PEIGNES À SIX PEIGNES

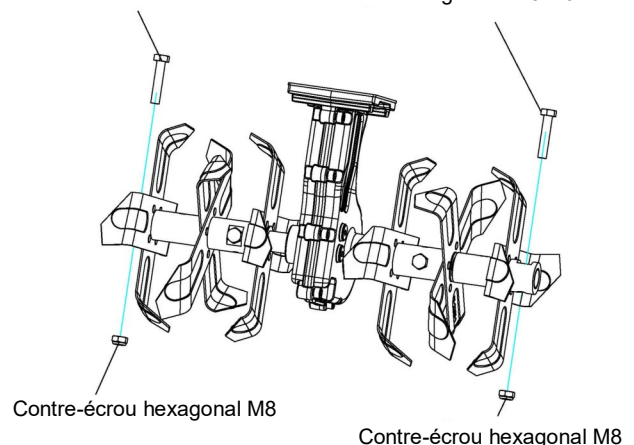
Installez le peigne A et D sur l'axe, comme illustré. Assurez-vous que les trous dans les manchons du peigne et l'axe sont alignés. Insérez la tige de verrouillage dans les trous et tirez l'anneau de la tige de verrouillage vers le bas pour bloquer la tige en place. Assurez-vous d'installer les peignes comme illustré à la Fig. 3. Les peignes ne peuvent être fixés si assemblés dans une autre séquence de position de peignes. (Fig. 3)

Si les tiges de verrouillage sont perdues ou mal placées, les peignes A et D peuvent être fixés à l'aide des boulons à tête hexagonale M8 X 40 et écrous de blocage M8 supplémentaires fournis. (Fig. 4)

4

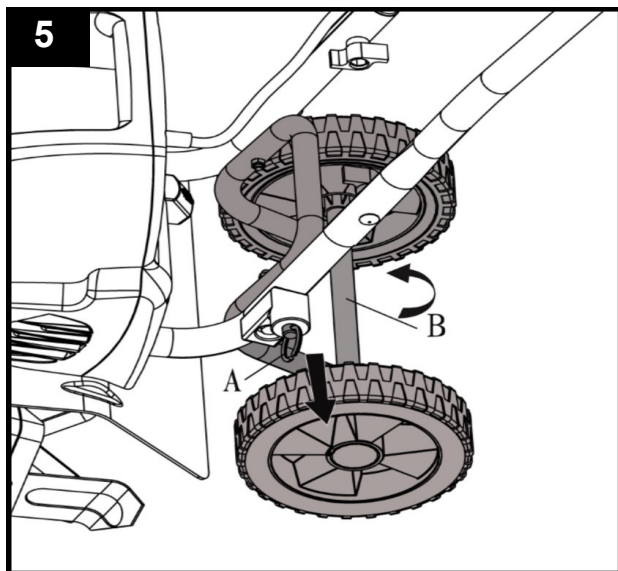
Boulon à tête hexagonale M8x40

Boulon à tête hexagonale M8x40

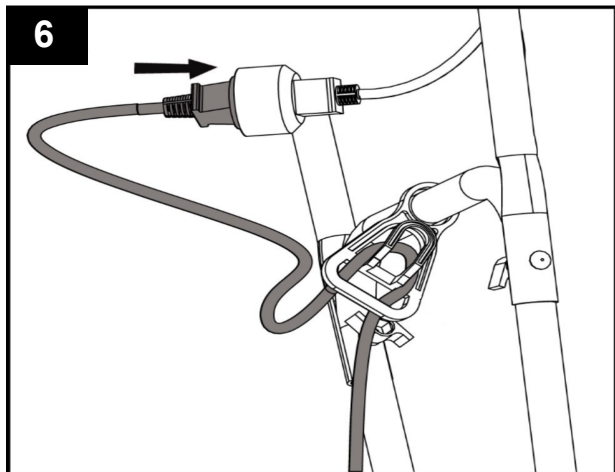


DÉMARRAGE :

Assurez-vous que le châssis de roue est suffisamment relevé pour permettre le démarrage du cultivateur/de la griffe. Pour soulever le châssis, tirez la goupille de verrouillage (Étape A), faites tourner le châssis de roue vers le haut, au-delà du bouton de verrouillage situé à l'arrière du carter de moteur (Étape B), puis relâchez la goupille de verrouillage. Le châssis de roue sera verrouillé en place par le bouton de verrouillage. (Voir la Fig. 5)



Fixez solidement la rallonge dans le dispositif de retenue de câble. La boucle de la rallonge doit être suffisamment longue pour que le dispositif de retenue de câble puisse glisser librement d'un côté à l'autre. Branchez la rallonge dans la prise du câble d'alimentation du cultivateur. (Voir la Fig. 6) Déplacez le cultivateur/la griffe dans la zone de travail



avant de démarrer le moteur.

AVERTISSEMENT: Ne démarrez pas la griffe si une personne ou un objet se trouve directement sur le chemin de l'appareil.

Maintenez fermement le cultivateur/la griffe au démarrage. Les dents font avancer le cultivateur/la griffe pendant son fonctionnement. Abaissez lentement les peignes dans le sol à labourer.

Pour démarrer la griffe/cultivateur, saisissez fermement le centre de la poignée avec votre main gauche. Avec votre main droite, appuyez sur le bouton de verrouillage du dispositif de sécurité sur le contacteur et maintenez-le pour permettre l'activation du fil de contrôle du contacteur. (Voir Fig. 7)



Utilisez votre pouce et index de la main gauche pour maintenir fermement la poignée, et tirez le fil de contrôle du contacteur vers la poignée. (Voir Fig. 8) Une fois l'appareil démarré, relâchez le bouton de verrouillage du dispositif de sécurité.



Continuez de tenir le fil de contrôle du contacteur contre la poignée du cultivateur alors que vous labourez. Utilisez les deux mains pour saisir fermement la poignée pour un meilleur contrôle de l'appareil. (Voir Fig. 9)



Relâchez le fil de contrôle du contacteur pour arrêter le cultivateur ou la griffe.

UTILISATION

Utilisez le cultivateur/la griffe pour briser du gazon de placage, préparer des lits de semence et cultiver des jardins et des massifs de fleurs. Le cultivateur/la griffe permet également de creuser de petits trous pour y planter des arbrisseaux ou des plantes en pot.

Pour briser le gazon de placage ou labourer en profondeur, laissez les dents tirer le cultivateur/la griffe pour qu'il se déplace vers l'avant jusqu'au bout de vos bras, puis tirez-le fermement vers vous. Vous obtiendrez les meilleurs résultats en laissant la machine avancer puis en la tirant vers vous.

En tirant le cultivateur/la griffe vers vous, les dents creuseront plus profondément et avec plus de vigueur.

Pour éviter de trébucher, prenez des précautions supplémentaires lorsque vous reculez et tirez vers vous le cultivateur/la griffe.

Si le cultivateur/la griffe creuse suffisamment pour rester au même endroit, faites-le osciller légèrement d'un côté à l'autre jusqu'à ce qu'il recommence à avancer.

Ne faites jamais passer le cultivateur/la griffe par-dessus la rallonge. Assurez-vous que le câble est toujours dans une position de sécurité, derrière vous.

Lorsque vous travaillez sur des pentes, tenez-vous toujours en diagonale par rapport à la pente, pour maintenir une position ferme et sûre. Ne travaillez pas sur des pentes trop abruptes.

Pour la préparation des lits de semences, nous recommandons d'utiliser un de ces motifs de labourage.

Motif de labourage A - Faites deux passes sur la surface à labourer, la seconde étant effectuée à angle droit par rapport à la première.

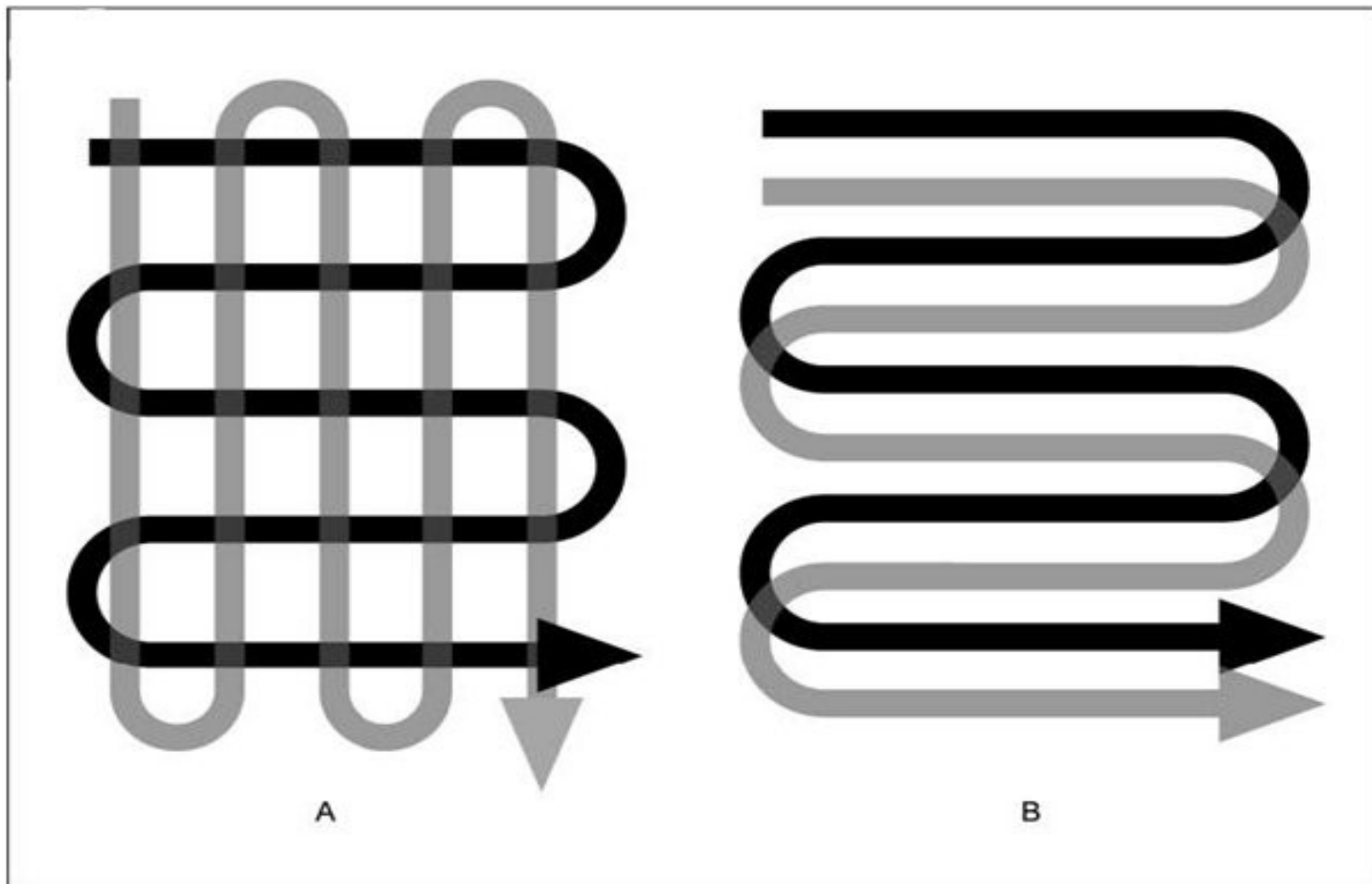
Motif de labourage B – Faites deux passes sur la surface à labourer, la deuxième chevauchant la première.



ATTENTION : Avant de déplacer le cultivateur/la griffe d'un endroit vers un autre, arrêtez le moteur et attendez que les dents s'arrêtent complètement de tourner. Assurez-vous que les dents n'entrent pas en contact avec le sol pendant le déplacement du cultivateur/de la griffe. Les dents, ainsi que l'appareil lui-même, peuvent subir des dommages, même si le moteur n'est pas en marche.

Enlèvement des corps étrangers :

Pendant l'utilisation, une pierre ou une racine pourrait se loger dans les dents, ou encore de grandes herbes ou des mauvaises herbes peuvent s'enrouler autour de l'arbre des dents. Pour nettoyer les dents ou leur essieu, relâchez le levier de commande, attendez que les dents arrêtent complètement de tourner et débranchez le cultivateur/la griffe. Enlevez les corps étrangers des dents ou de leur arbre. Pour simplifier l'élimination des grandes herbes ou des mauvaises herbes de l'arbre des dents, vous pouvez enlever une ou deux dents. Voir la section Dépose et installation des dents.



ENTRETIEN

AVERTISSEMENT: Avant d'effectuer les opérations d'entretien, débranchez la prise d'alimentation électrique.

Avant chaque utilisation, vérifiez la rallonge pour y détecter des dommages ou de l'usure. Remplacez le câble s'il est fissuré, fendu, ou autrement endommagé. Vérifiez l'état des dents et assurez-vous que toutes les connexions filetées sont solidement serrées. Si les dents sont émoussées ou épointées, aiguissez-les ou remplacez-les. Appelez notre service clientèle au 1-800-618-7474 pour obtenir de l'assistance.

Lubrifiez les dents et l'arbre **une fois par saison**. À la fin de la saison, vérifiez que le cultivateur/la griffe n'a pas subi de dommages avant de le remiser. Réparez ou remplacez les pièces endommagées ou brisées.

ATTENTION : Nettoyez toujours le cultivateur/la griffe après chaque utilisation. Un cultivateur/une griffe mal nettoyé risque de subir des dommages ou de fournir une piètre performance.

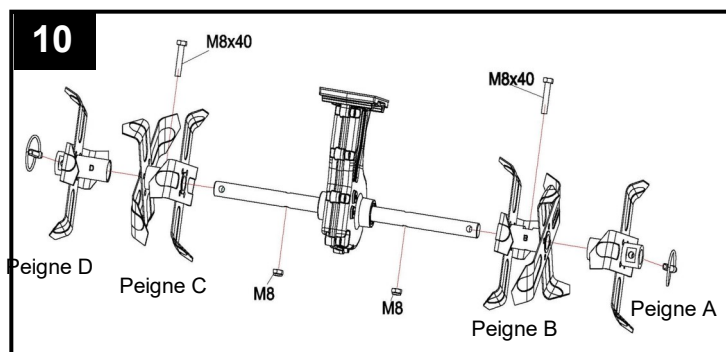
Nettoyez le dessous de la plaque-support de moteur et le logement autour des dents avec une brosse à récurer et un chiffon doux imbibé d'un mélange de savon doux et d'eau. **N'utilisez jamais un boyau d'arrosage pour nettoyer le cultivateur!** Pour enlever la terre et les débris de la transmission et des dents, utilisez une brosse dure ou un chiffon humide. Nettoyez les événements du carter de moteur et enlevez toute les herbes ou saletés restantes. Une fois nettoyé, essuyez pour sécher les dents et l'arbre et appliquez une fine couche d'huile pour prévenir la rouille.

Maintenance des peignes : Des dents usées entraînent une piètre performance et surchargent le moteur. Vérifiez les dents avant chaque utilisation. Aiguissez ou remplacez les ensembles de dents par de nouvelles pièces lorsque nécessaire. Appelez le 1-800-618-7474 pour obtenir de l'aide.

AVERTISSEMENT : Un travail sur les dents entraîne des risques de blessures. Portez des gants protecteurs.

Retrait et installation du peigne (Fig. 10)

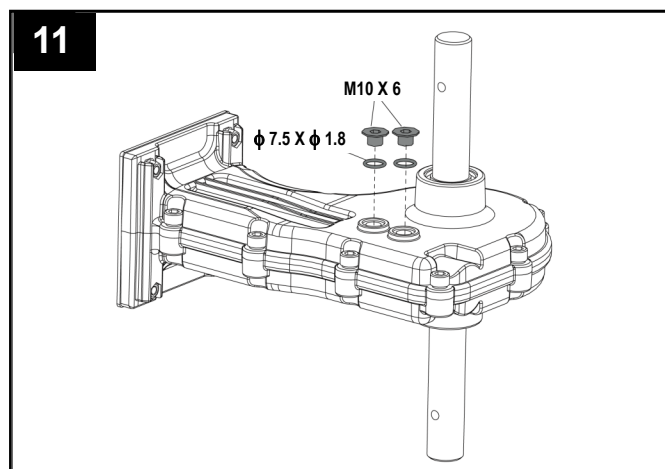
Levez les anneaux de la tige de verrouillage et enlevez les tiges de verrouillage aux deux extrémités de l'axe. Enlevez les peignes A et D de l'axe. Enlevez les boulons M8 X 40 et les écrous de blocage hexagonaux M8 aux deux extrémités de l'axe. Enlevez les peignes B et C de l'axe. Suivez les étapes ci-dessus en ordre inverse pour installer les peignes.



Remplacez les pièces usées ou endommagées uniquement par des pièces d'origine. Les pièces d'un autre cultivateur/griffe pourraient ne pas s'ajuster correctement et poser des risques.

Assurez-vous que tous les dispositifs de protection sont fixés solidement et en bon état. Réparez ou remplacez si nécessaire.

Lubrification (Fig. 11) : La carter de transmission d'entraînement des dents est graissé en usine. Il n'est pas nécessaire de vérifier le niveau de graisse et il n'est pas recommandé d'ajouter de la graisse pendant les 2 premières années d'utilisation. Suivez les instructions ci-dessous après la deuxième saison d'utilisation :



Les bouchons à vis de vidange se trouvent sur le côté droit du carter de transmission. Penchez le cultivateur/la griffe sur son côté gauche et nettoyez la saleté et les débris de la transmission avant d'enlever les bouchons à vis de vidange. Si nécessaire, enlevez les ensembles de dents pour faciliter l'accès aux bouchons à vis de vidange. Utilisez une clé hexagonale de 5 mm pour dévisser les bouchons.

À l'aide d'un bidon compressible ou d'un tube, ajoutez environ 70 ml (2,4 oz.) d'huile d'engrenage automobile. Ne remplissez pas excessivement. Une fois le remplissage terminé, réinstallez les bouchons à vis de vidange dans la transmission.

REMISAGE

Remisez le cultivateur/la griffe dans un endroit sec, propre et hors de portée des enfants.

Lors d'un remisage pendant des périodes de temps prolongées, assurez-vous que le cultivateur/la griffe est protégé contre la corrosion.

À la fin de la saison, ou si le cultivateur/la griffe n'est pas utilisé pendant plus d'un mois, essayez toutes les surfaces en métal avec un chiffon imprégné d'huile pour les protéger contre la corrosion, ou vaporisez une fine couche d'huile. Repliez la barre de guidage et remisez le cultivateur/la griffe dans un emplacement adéquat.

DÉPANNAGE

Problème	Causes possibles	Correctif
Le moteur ne démarre pas	L'appareil n'est pas branché Pas d'électricité Câble défectueux Contacteur/fiche de sécurité défectueux La protection surchauffe est activée	Branchez l'appareil Vérifiez l'alimentation électrique Vérifiez le câble. Réparez ou remplacez si nécessaire. Prenez des dispositions pour effectuer des réparations 1. La profondeur de labour est excessive, réglez pour une profondeur moindre. 2. Les lames sont bloquées, éliminez le blocage. 3. Le sol est trop dur, sélectionnez la profondeur de labour qui convient et avancez puis reculez plusieurs fois tout en ralentissant la vitesse de fonctionnement. Attendez pendant 15 minutes que le moteur refroidisse avant de continuer.
Bruits anormaux	La lame est coincée Lubrification insuffisante Les boulons, les écrous ou d'autres composants sont desserrés.	Arrêtez le moteur. Attendez que les dents s'arrêtent complètement de tourner. Enlevez les objets coincés. Le cultivateur/la griffe doit être réparé. Appelez notre service clientèle au 1-800-618-7474 pour obtenir de l'assistance. Resserrez tous les composants. Prenez des dispositions pour faire effectuer les réparations si le bruit continue.
Vibrations anormales	Les lames sont endommagées ou usées La profondeur de labour est excessive	Remplacez les lames endommagées ou usées. Réglez à la profondeur de labour qui convient.
Piètres résultats	La profondeur de labour est insuffisante Les lames sont usées	Réglez à la profondeur de labour qui convient. Remplacez les lames endommagées ou usées.

APPELEZ-NOUS D'ABORD!!

Appelez-nous d'abord pour toute question concernant le fonctionnement ou la maintenance de votre cultivateur/griffe au 1-800-618-7474 entre 8h00 et 17h00, heure normale de l'Est, ou obtenir de l'aide sur scotts.americanlawnmower.com.

PIÈCES ET SERVICE

RÉPARATION

Pour les pièces ou la réparation, veuillez appeler le 1-800-618-7474 ou visitez-nous en ligne au scotts.americanlawnmower.com. Veuillez fournir toute l'information pertinente lorsque vous nous appelez ou nous rendez visite.

PIÈCES DE RECHANGE (KITS/ ARTICLES)

Le numéro de modèle/ de série de cet outil se trouve sur une plaque ou une étiquette fixée au bâti. Notez votre numéro de série dans l'espace prévu ci-dessous.

NUMÉRO DE MODÈLE TC70135S

NUMÉRO DE SÉRIE _____

Toujours mentionner le numéro de modèle lors de la commande de kits pour cet outil.

N°	Numéro de kit/ Numéro d'article	Description	Quantité
1	RTC135S-TK	Kit de peigne	1
2	RTC135/105S-HDW	Kit de hardware	1
3	RTC135/105S-WK	Kit de roue	1
4	RTC135/105S-HK	Kit de poignée	1

APPELEZ-NOUS D'ABORD!!

Appelez-nous d'abord pour toute question concernant le fonctionnement ou la maintenance de votre cultivateur/griffe au 1-800-618-7474 entre 8h00 et 17h00, heure normale de l'Est, ou obtenir de l'aide sur scotts.americanlawnmower.com.



MANUEL DE L'UTILISATEUR TC70135S Cultivateur/griffe

Copyright. Tous droits réservés.

GARANTIE

Politique de garantie Scotts

- **Garantie limitée de 3 ans** sur tous les motoculteurs filaires Scotts à compter de la date d'achat lorsqu'ils sont utilisés à des fins personnelles, domestiques ou familiales.

The Great States Corp. (GSC) garantit au propriétaire original que ce produit et cette pièce de rechange Scotts sont exempts de défauts de matériaux et de fabrication et accepte de réparer ou remplacer tout produit ou pièce défectueux pendant la période de garantie comme indiqué ci-dessus.

- La garantie est annulée en cas d'utilisation du produit à des fins commerciales ou industrielles ou à toute fin inappropriée comme déterminé par GSC.
- La garantie ne comprend pas les réparations nécessaires découlant d'un mauvais usage ou d'une négligence de l'utilisateur (y compris surcharger le produit au-delà de sa capacité ou l'immerger dans l'eau), ou le manquement à assembler, opérer, entretenir ou ranger le produit selon les instructions du manuel du propriétaire.
- Cette garantie ne couvre pas
 - ◇ L'usure des articles, notamment les - courroies et engrenages d'entraînements, dents, lames de coupe, lames de tondeuse, chaînes de scie, lames à déchiqueter, ventilateurs de souffleuse, couvercles de dévidoir, ligne de coupe, tubes de souffleuse et d'aspiration, barres-guides, tuyaux à haute pression, roues, poignées, tarières, sacs usées, câbles électriques et autres articles sujets à l'usure au fil du temps.
 - ◇ L'usure des batteries, y compris notamment - les chutes, l'usure et le bris sur le chargeur, l'exposition à des changements extrêmes de températures (chaud ou froid), la batterie laissée trop longtemps sur le chargeur, la batterie laissée trop longtemps non chargée, et une mauvaise utilisation ou un mauvais traitement de la batterie.
- Cette garantie ne couvre pas les dommages causés par le froid, la chaleur, la pluie, l'humidité excessive et les autres conditions environnementales extrêmes.
- Cette garantie ne couvre pas la détérioration normale de la finition extérieure ou l'usure normale sur les produits, y compris notamment les éraflures, fissures, entailles ou dommages causés par des produits chimiques extérieurs.
- Cette garantie n'est pas transférable et s'applique seulement aux nouveaux produits vendus directement par un détaillant autorisé. Cette garantie ne s'applique pas à tout produit, neuf ou d'occasion, acheté par le biais de canaux tiers non autorisés. Pour de l'information sur les détaillants autorisés, communiquez avec notre ligne directe du service à la clientèle au 1-800-618-7474 (lun. au ven., 8 h à 17 h, HNE)
- Tout dommage, perte ou frais consécutif, indirect ou conséquent qui pourrait résulter d'un défaut, d'une défaillance ou d'un dysfonctionnement du produit n'est pas couvert par la garantie.
- La garantie ne comprend pas l'installation, l'assemblage ou les réglages normaux expliqués dans le manuel de l'opérateur. Les frais de livraison du produit au vendeur et les frais de renvoi du produit ou des pièces de rechange au propriétaire ne sont pas couverts par la garantie.

Limites supplémentaires concernant la garantie

Certains États/provinces ne permettent pas l'exclusion ou la limitation de la durée d'une garantie implicite; les restrictions ci-dessus peuvent donc ne pas s'appliquer. Les produits vendus endommagés ou incomplets, vendus tels quels, vendus remis en état ne sont pas couverts par la garantie. Les dommages ou responsabilités provoqués par le transport, une mauvaise manipulation, un mauvais assemblage, une tension ou un câblage incorrect, une mauvaise maintenance, une modification incorrecte ou l'utilisation d'accessoires ou d'outils non spécifiquement recommandés ne sont pas couverts par cette garantie.

Une preuve d'achat (original du reçu de vente daté) doit accompagner toute réclamation de garantie.

Pour les réclamations, allez à scotts.americanlawnmower.com ou communiquez avec notre ligne directe du service à la clientèle de 8 h à 17 h HNE, lun. au ven. au 1-800-618-7474



American Lawn Mower Company
The Great States Corporation
7444 Shadeland Station Way
Indianapolis, IN 46256 États-Unis
Téléphone 1-800-618-7474
scotts.americanlawnmower.com

Dans le cadre d'un engagement permanent d'amélioration de la qualité,
le Fabricant se réserve le droit d'apporter des modifications à des composants ou à la conception si nécessaire.