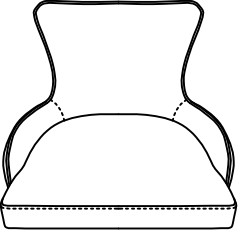
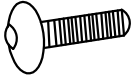
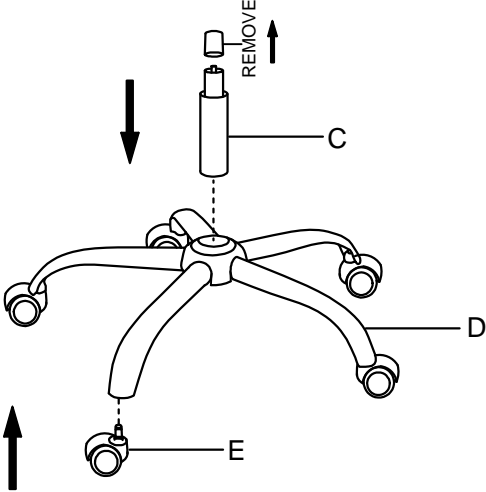
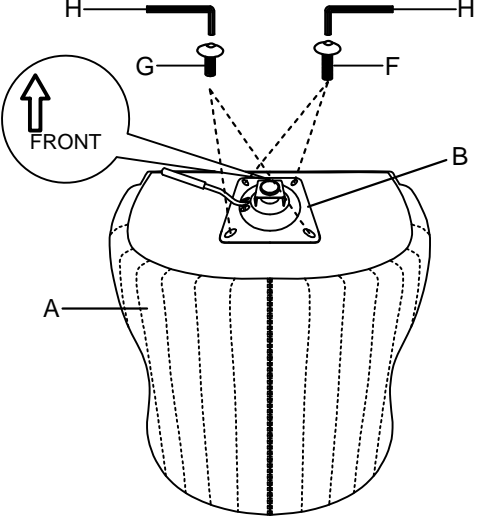
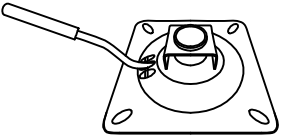
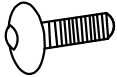
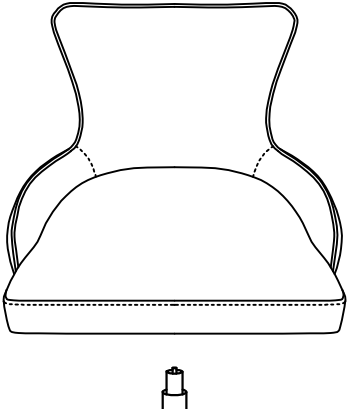
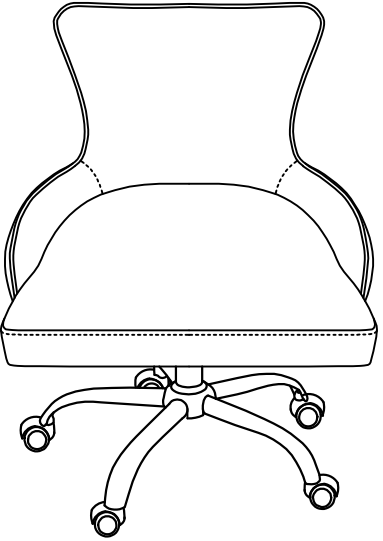
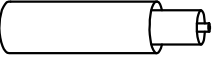

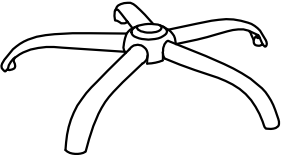
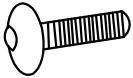
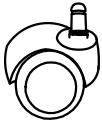
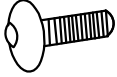


Assembly Instructions

<p>A*1</p> 	<p>F*2(FRONT) M6*25mm</p> 	<p>①</p> 	<p>②</p> <div data-bbox="1756 161 2047 300" style="border: 1px solid black; padding: 5px;"> <p>⚠ Do not fully tighten the bolts until all the bolts align with the holes; please be sure you align the hole first!</p> </div> 
<p>B*1</p> 	<p>G*2(BACK) M6*18mm</p> 	<p>③</p> 	<p>④</p> 
<p>C*1</p> 	<p>H*1 M5</p> 	<p>D*1</p> 	<p>F*1(FRONT) M6*25mm</p>  <p>EXTRA PARTS</p>
<p>E*5</p> 	<p>G*1(BACK) M6*18mm</p>  <p>EXTRA PARTS</p>		