

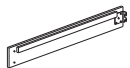










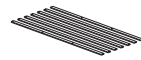







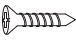
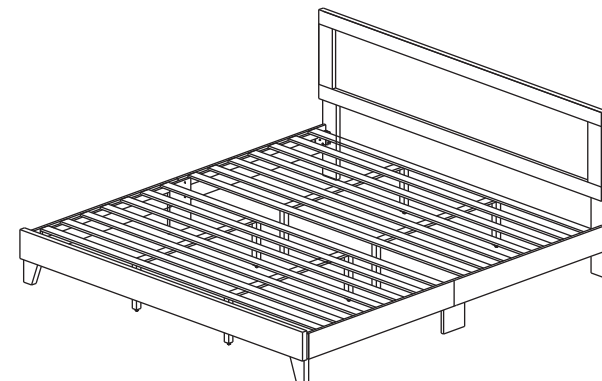


ASSEMBLY INSTRUCTIONS

A		Headboard	1 pc.
B		Footboard	1 pc.
C		Side Rail A - Head	1 pc.
D		Side Rail A - Foot	1 pc.
E		Side Rail B - Head	1 pc.
F		Side Rail B - Foot	1 pc.
G		Footboard Leg A	1 pc.
H		Footboard Leg B	1 pc.
I		Side Rail Support Legs	2 pcs.
J		Headboard Leg (L)	1 pc.
K		Headboard Leg (R)	1 pc.
L		Headboard Strut	1 pc.
M		Center Supports	2 pcs.

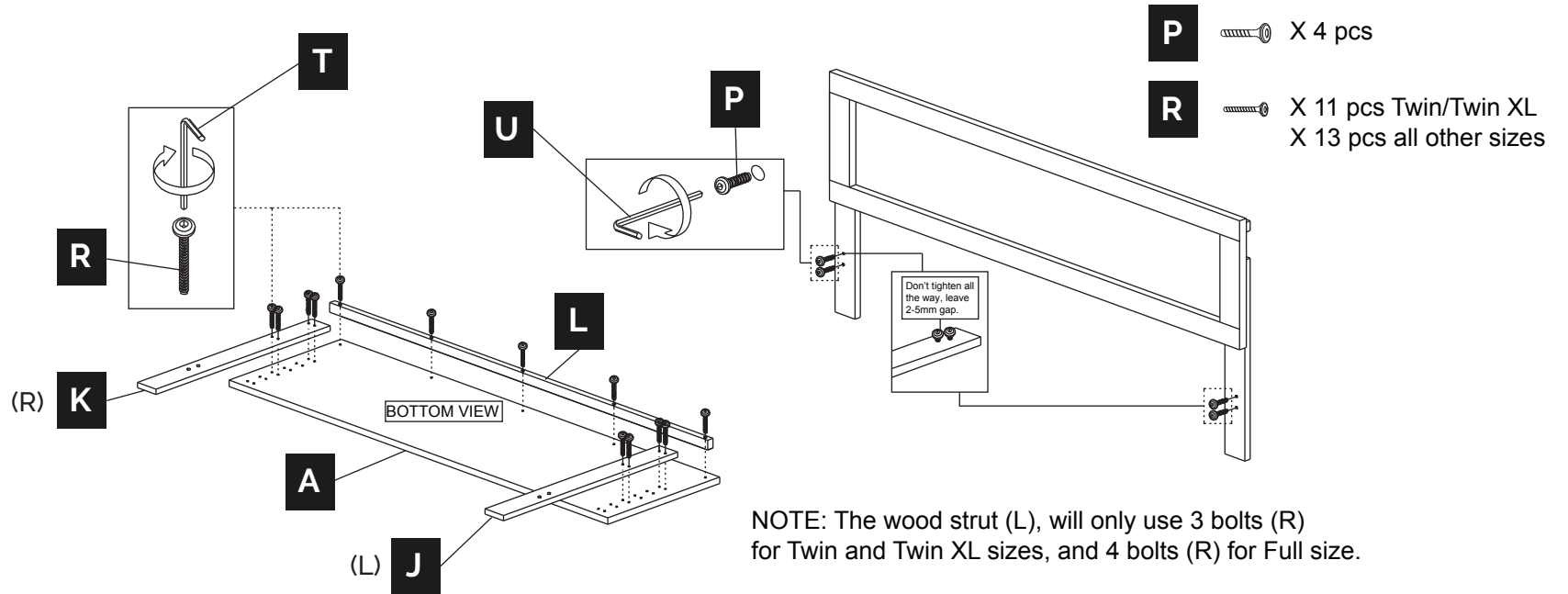
N		Bed Slats	2 sets
O		Center Legs	4 pcs.
P		M8x20mm Bolts	8 pcs.
Q		M6x25mm Bolts	8 pcs.
R		M6x50mm Bolts	23 pcs. for Twin, Twin XL 24 pcs. for Full, 25 pcs. for Queen
S		M4x30mm Screws	8 pcs.
T		M4 Allen Key	1 pc.
U		M5 Allen Key	1 pc.
V		M4x16mm Screws	8 pcs.



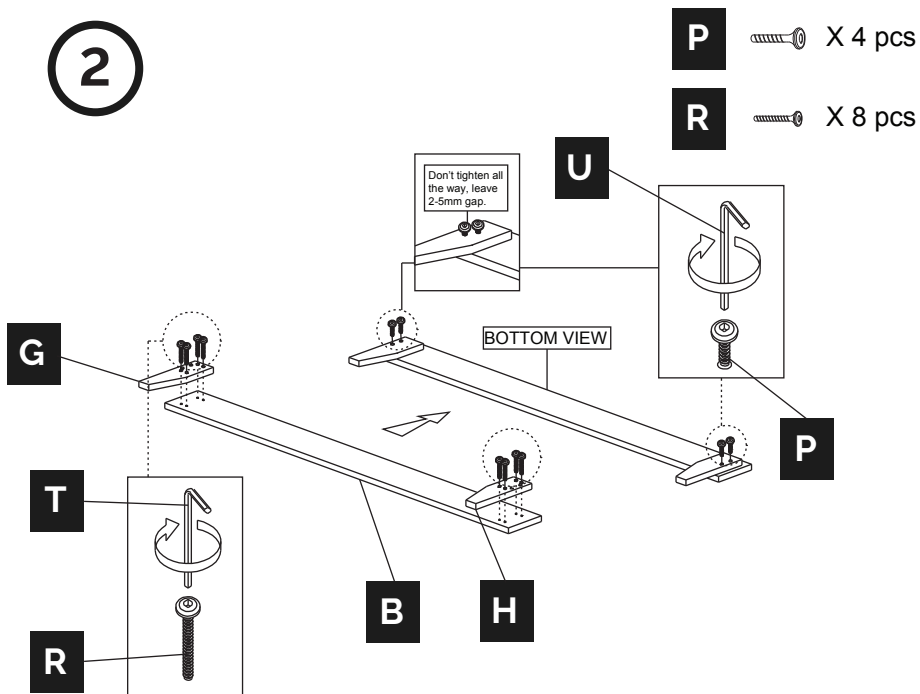
TOOLS NEEDED: Phillips Screwdriver



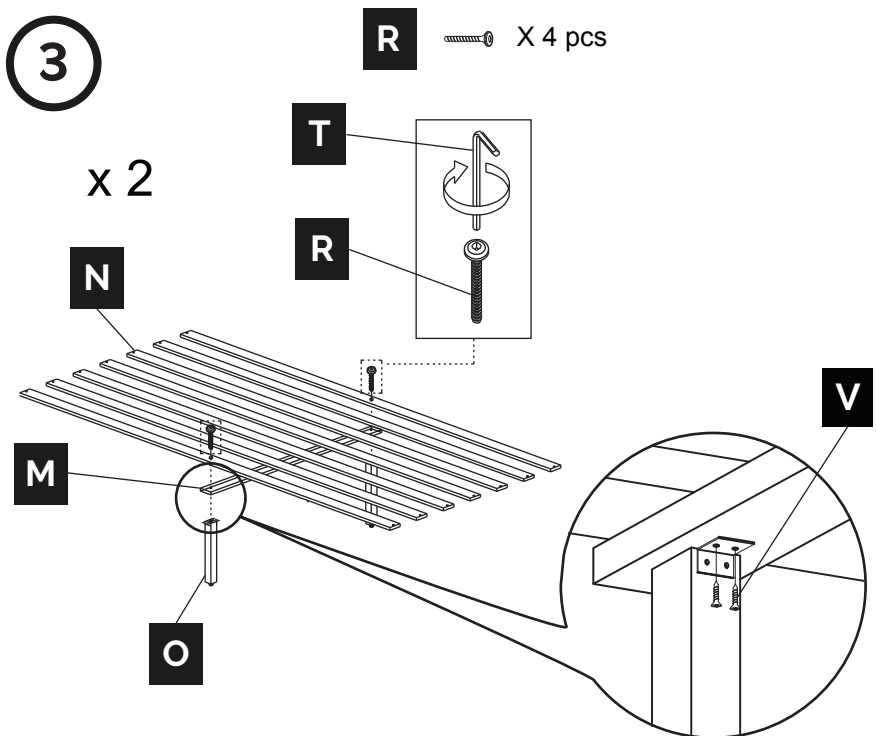
1



2

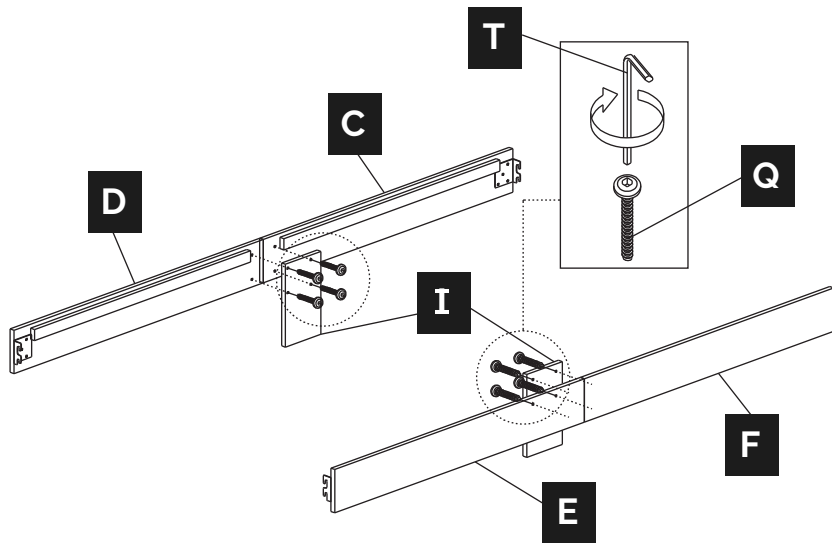


3

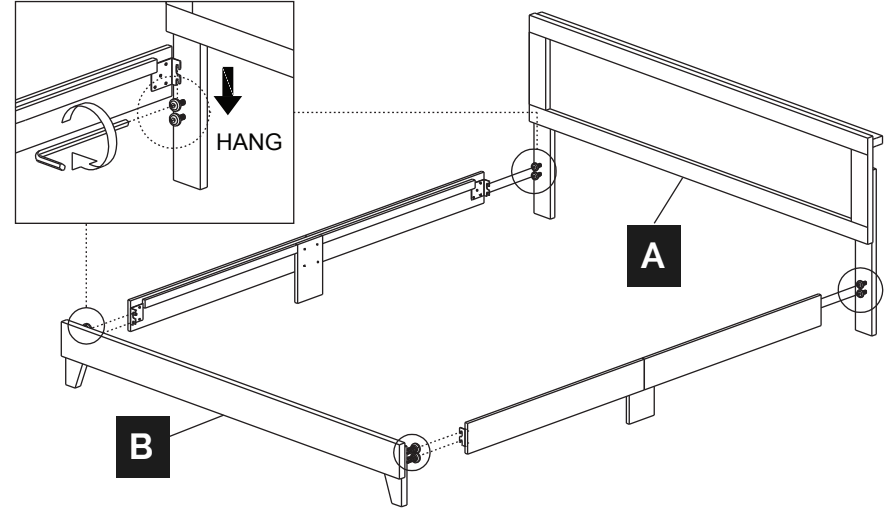


4

Q X 8 pcs

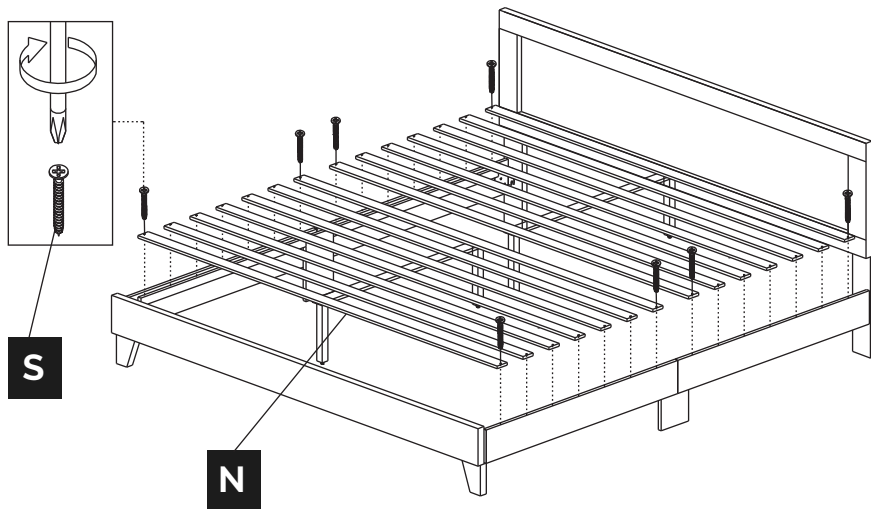


5



6

S X 8 pcs



NOTE: Lift the bed with two or more people. Dragging the bed may cause damage.

