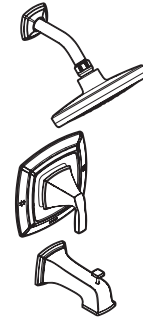




Buy it for looks. Buy it for life.®

Specifications



Hensley™ Single-Handle Tub/Shower

Models: 82414 series



DESCRIPTION

- Component construction with spot resist brushed nickel finish
- Pressure balancing cycle valve design with an adjustable temperature limit stop
- 1/2" IPS connections
- Includes valve, showerhead, tub spout, arm and flange

OPERATION

- Lever style handle
- Handle operates counterclockwise through a 270° arc with off at 6 o'clock and maximum hot at the 9 o'clock position. Shut off in clockwise direction
- Adjustable temperature limit stop to control maximum hot water temperature
- Pressure balancing mechanism maintains selected discharge temperature to $\pm 2^\circ$

FLOW

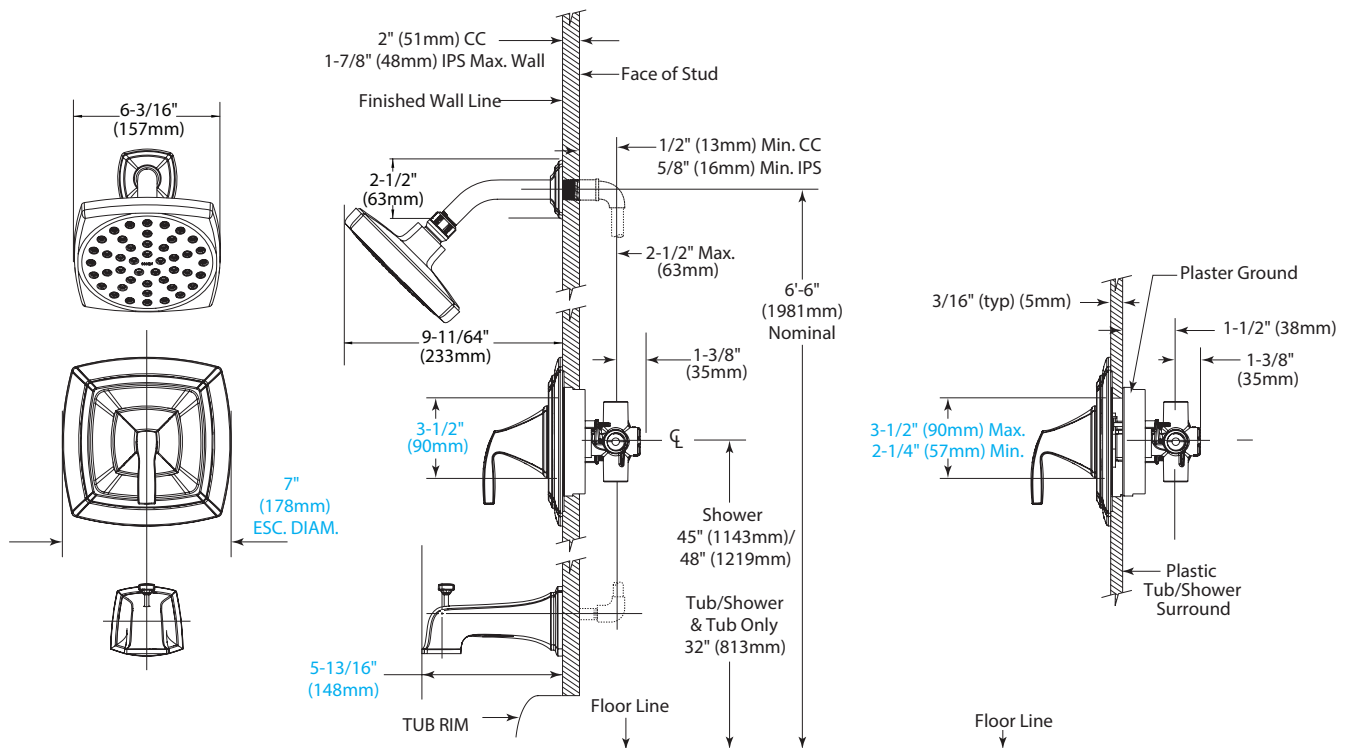
- Showerhead is limited to 1.75 gpm (6 L/min) and 1.5 gpm (5.7 L/min) minimum at 45 psi

STANDARDS

- Third party certified to ASME A112.18.1/CSA B-125.1 and all applicable requirements referenced therein
- ADA for lever handles
- Meets WaterSense® criteria
- Meets New York City Local Law No. 57
- Compliant with California water efficiency regulations

WARRANTY

- Lifetime limited warranty against leaks, drips and finish defects to the original consumer purchaser
- 5 year warranty if used in commercial installations



CRITICAL DIMENSIONS

(DO NOT SCALE)