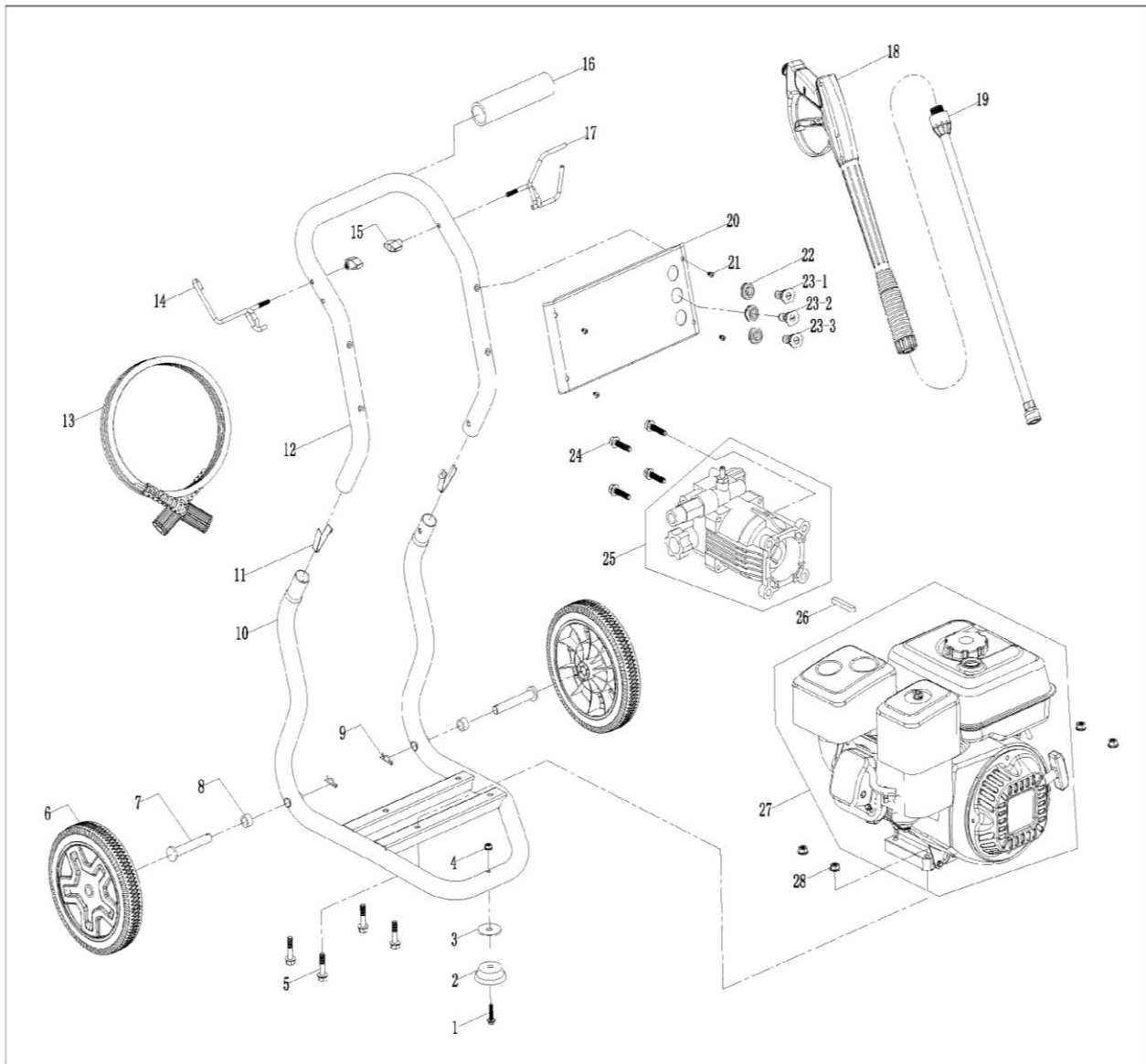


APW2700 Pressure Washer Explosive View



NO.	PART No.	Discription	Specification	Quantity
1	B5789-06KG-030B	bolt, flange	M6×30×P1.0/black	1
2	51304-H27D-0000	rubber gasket	EP/improved/increase 4mm cover/black	1
3	B5287-P020-001B	big gasket	Φ7×Φ38×2/black	1
4	B6177.1-06KG-000B	nut, flange	M6/black	2
5	B5787-08LG-032K	bolt, flange	M8×32×P1.25/EP	4
6	51310-H27F-0000	wheel assy	8*1.75 "/hub color:PP light grey/spoke material:foam axle hole13mm	2
7	51301-H27F-0000	axle	axle/Φ12.6mm*Φ18mm*91mm black	2
8	54104-H27F-0000	axle cover	black/Φ12.8*Φ18*10mm	2

9	16006-G7A2-0000	dowel pin clamp	Φ2*18mm/316510	2
10	44200-H27F-01H5	frame	Φ28*1.2/dark grey/easy type plug-in connection	1
11	11013-H27F-0000	V-clip	carrot, Cr-plating/65mm 10mm	2
12	44210-H27F-01H5	handlebar components	Φ28*1.2/dark grey/U shape plug-in connection	1
13	44301-H27F-0000	hose	inner thread M22*1.5/inner core Φ14/6.35*7.6meters black/PVC/outside diameter Φ12	1
14	44325-H27F-0000	hose hook	dark grey/6mm/L-shape	1
15	44009-H33C-00B7	Purchase often-expensive nut	ABS/M6inserts/black leather	2
16	51306-G5AA-0000	handlebar gum cover	Φ27*Φ35*220/black	1
17	44020-H27F-00H5	gun holder	dark grey/6mm/use for easy-type frame	1
18	44314-H24A-0000	gun	inlet external thread:M22*P1.5/inner core:14/H24A/3263	1
19	44315-H27F-0000	wand	chrome plating-iron/total length360mm/1/4quick-connect	1
20	44324-H27F-00H5	nozzle pannel	thickness: 1.5mm/metal/3 nozzle holes/dark grey	1
21	B70.2-06AG-016C	inner hexagonal bolt	M6×16×P1.0/zinc plating-white	4
22	44305-H25B-0000	grommet	rubber	3
23-1	44302-H31C-0100	nozzle0°	027#/0° /with letter00027	1
23-2	44302-H27B-0200	nozzle25°	027#/green/with letter25027	1
23-3	44302-H25B-0000	nozzle	no pressure/black/without letter	1
24	B5787-08LG-020C	nut, flange	M8/white zinc	4
25	44100-H27D-0100	pump assy	aluminum head axial pump/PW24/2.4H/water inlet:NH 3/4-11.5	1
26	13301-E68F-0000	flat key	4.75*4.75*38	1
27	10000-E68F-B541	AP168FB-02 pressure washer engine	AP168FB/flat key shaft/red and shiny/square/handle toward pannel/EPA3	1
28	B6177.1-08KG-000C	nut, flange	M8/white zinc	4