

ALUMINUM POST INSTALLATION

It is the responsibility of the installer to meet all local code requirements and obtain all required building permits. The installer should determine and implement appropriate installation techniques for each installation situation. Aria Railing or its reseller shall not be held responsible for improper or unsafe installation.

SUGGESTED TOOLS: Cordless Drill, 3/16" Drill Bit, 5/8" Drill Bit (optional), Safety Glasses

IMPORTANT NOTE: Do not install base plate cover until railing assembly is completed. 3" posts are required to reach 6' and 8' lengths.

CAUTION! IF INSTALLING LIGHTING, WIRING MUST BE INSTALLED PRIOR TO SECURING POSTS TO DECK SURFACE AND INSTALLING TOP RAIL SNAPS.

STEP ONE - Determine necessary posts required and assemble (end, center or corner)

- Secure base plate to post extrusion using 4x #14 x 3" screws are included in kit. (Dia. #1)

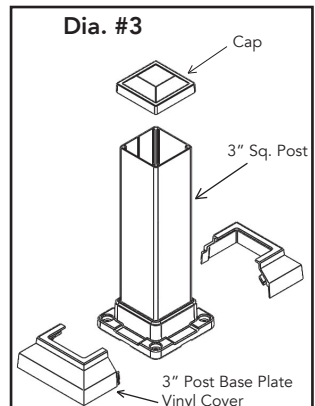
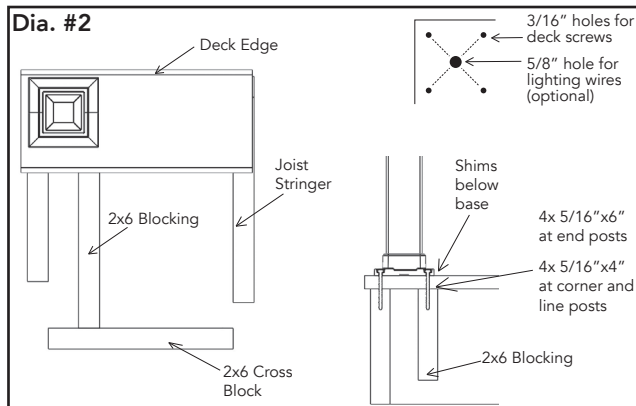
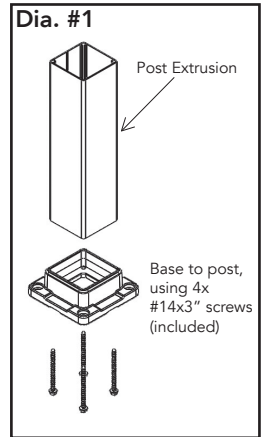
STEP TWO - Securing Posts to Deck

Install proper post blocking as per (Dia. #2). Use proper attachment screws or anchors as directed below. (Deck screws at each post location, are not included with kits).

- With 3/16" drill bit, pre-drill through deck boards and into blocking.
- Drill a 5/8" hole in center of four deck screw holes for lighting wires (optional).
- Level and plumb post using shims.
- Secure posts to deck with suggested screws.

STEP THREE - Installing post cap and post base vinyl plate cover*

- Install post cap (Dia. #3)
- *Install base plate cover after railing assembly is completed. (Dia. #3)



LIGHTING AND ACCESSORIES



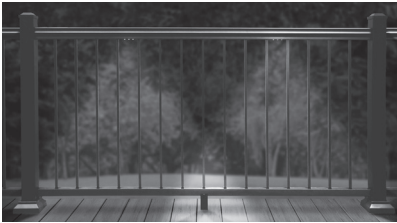
**3" LED Post Cap
Perimeter Light**



**3" LED Post Cap
Indirect Light**



**3" Low Profile
Post Cap**



LED Under Rail Lights



Stair Lights

ADA HANDRAILS



FIND FULL PRODUCT OFFERING AND ACCESSORIES AT
ARIARAILING.COM