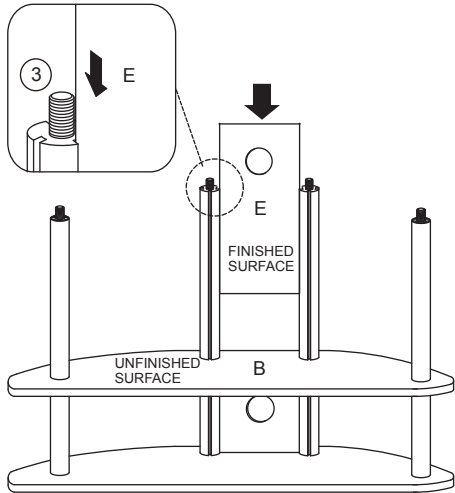


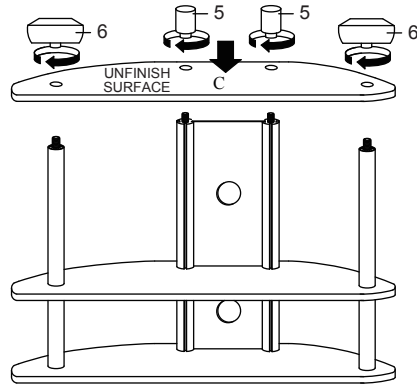
**STEP 4**



Slide Bottom Back Panel (E) into the grooves of Long Engrove Tubes (3), as shown.



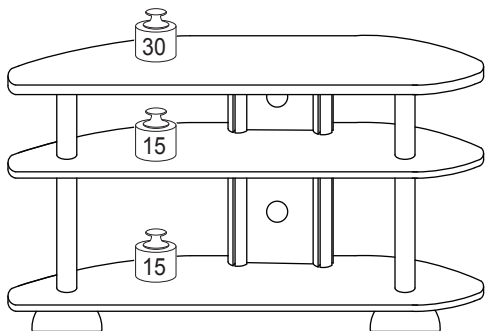
**STEP 5**

Attach Bottom Panel (C) and tighten with Legs (5) and No-Tip Feet (6).



-  ⑤ LEG - 2 PCS
-  ⑥ NO-TIP FEET - 2 PCS

**Recommended Maximum Weight**



\*Unit in Pound(lbs)

**WARNING:**

>This unit has been designed to support the maximum loads shown. Exceeding these load limits could cause sagging, instability, product collapse, and/or serious injury.

>DO NOT allow children to climb on unit.

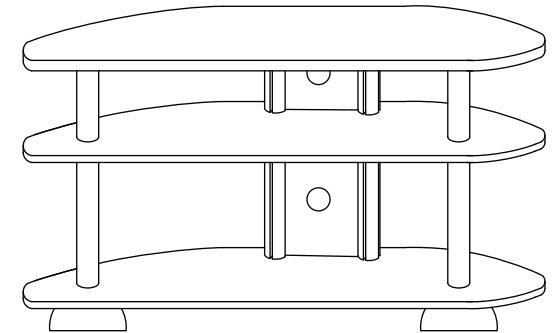
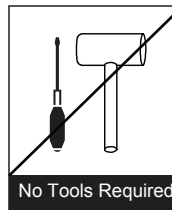
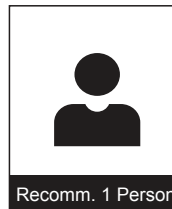
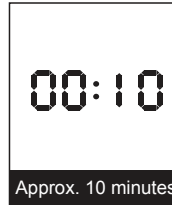
>Put heavier items on lower shelves.



**Assembly Instruction**

Furinno Turn-N-Tube 3-Tier  
TV Entertainment Center

MODEL : 99603









**Customer Support**

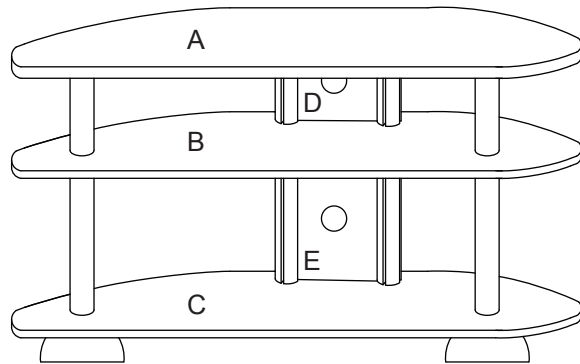
**NEED HELP?** For replacement requests or product inquiries, please contact our Customer Service Team by emailing us at [support@furinno.com](mailto:support@furinno.com). Thank you for selecting Furinno!

[www.furinno.com](http://www.furinno.com)



No	Hardware List	Qty
1	Long Tube 	2pcs
2	Short Tube 	2pcs
3	Long Engrove Tube 	2pcs
4	Short Engrove Tube 	2pcs
5	Leg 	2pcs
6	No-Tip Feet 	2pcs

No	Parts List	Qty
A	Top Panel	1pc
B	Shelf Panel	1pc
C	Bottom Panel	1pc
D	Upper Back Panel	1pc
E	Bottom Back Panel	1pc

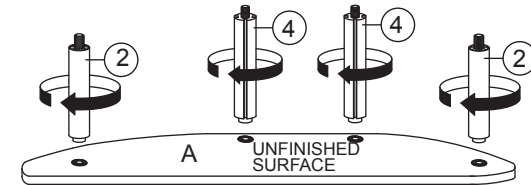


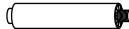
#### USEFUL HINTS BEFORE YOU START:

1. Read each step carefully before starting.
2. It is important that each step is performed in correct order to avoid difficulties.
3. Identify, sort and count the parts before assembly.
4. Assemble your furniture on packaging cardboard to prevent scratch or damage.
5. Clean the product with mild cleanser using soft damped cloth. Do not use harsh or abrasive cleanser.
6. Using incompatible hardware might cause damage to product.

#### STEP 1

Attach Short Tube (2) and Short Engrove Tube (4) to Panel (A), as shown.

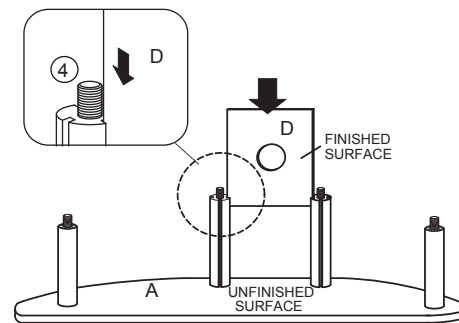


 ② SHORT TUBE - 2 PCS

 ④ SHORT ENGROVE TUBE - 2 PCS

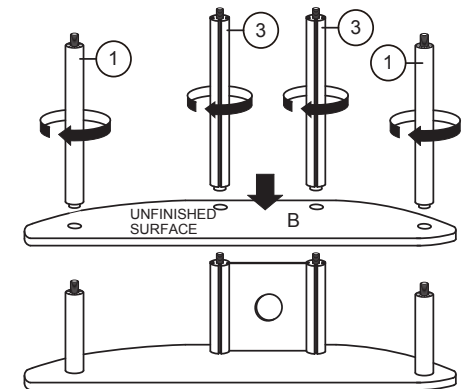
#### STEP 2

Slide Upper Back Panel (D) into the grooves of Short Engrove Tubes (4), as shown.



#### STEP 3

Attach Shelf Panel (B) and tighten with Long Tube (1) and Long Engrove Tube (3), as shown.



 ① LONG TUBE - 2 PCS

 ③ LONG ENGROVE TUBE - 2 PCS