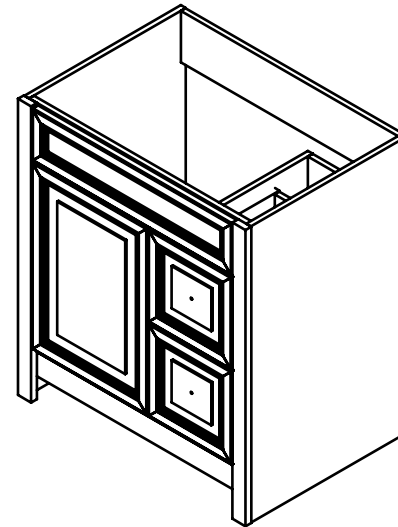
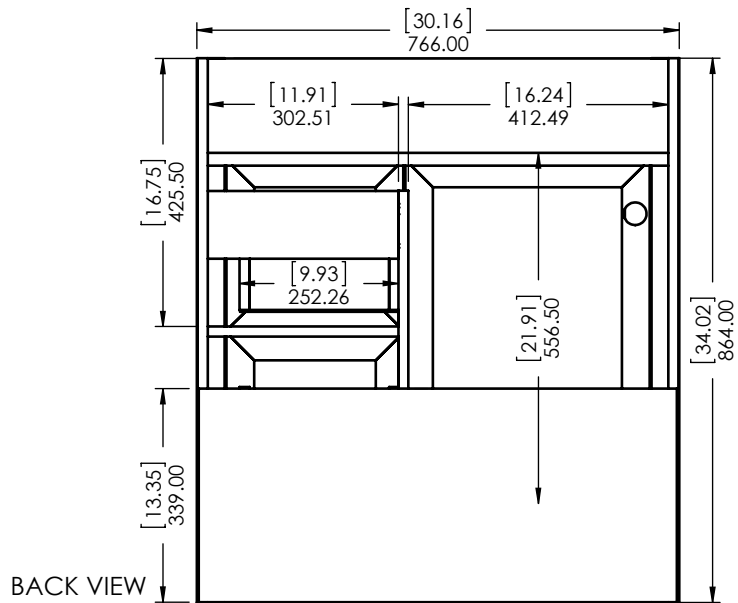
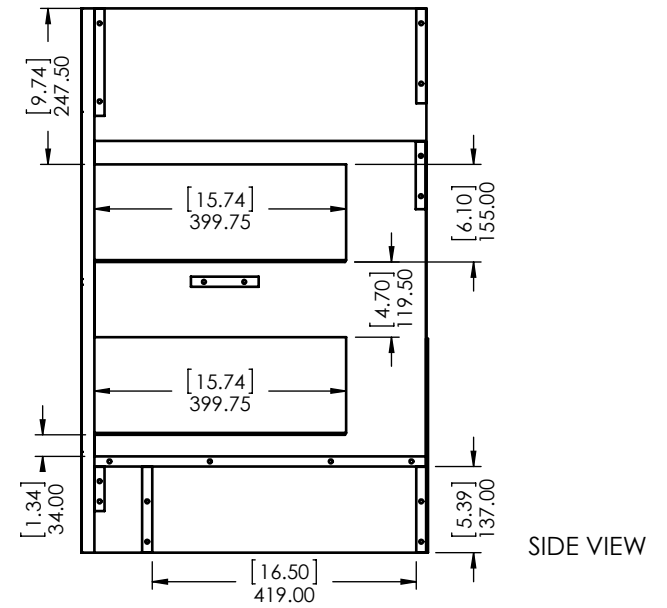
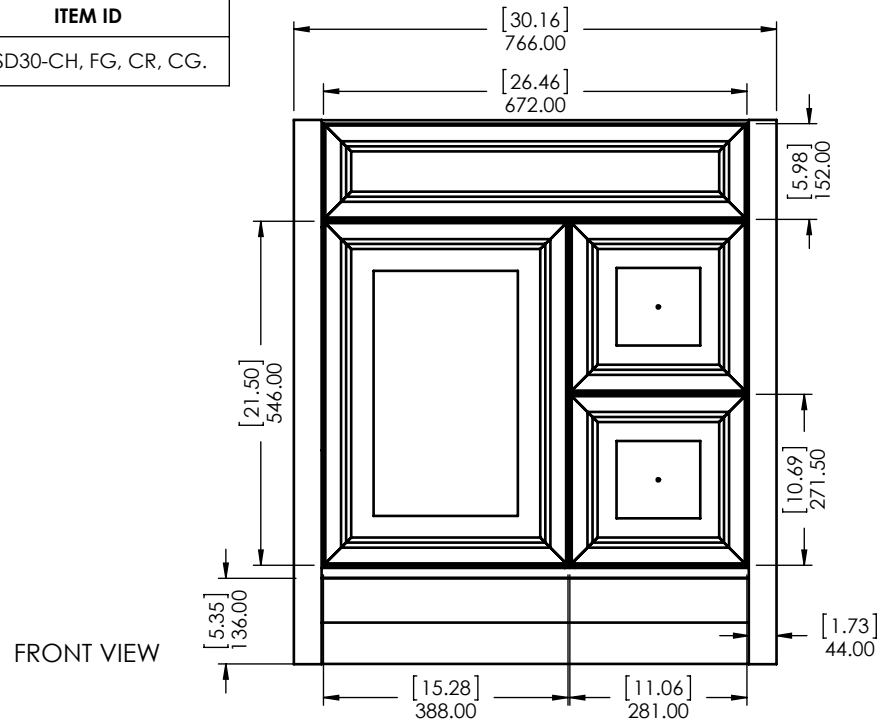


ITEM	ITEM ID
1	BHSD30-CH, FG, CR, CG.



Wood Crafters[®]

PROPRIETARY AND CONFIDENTIAL
 THE INFORMATION CONTAINED IN THIS DRAWING IS THE SOLE PROPERTY OF WOODCRAFTERS HOME PRODUCTS L.L.C. ANY REPRODUCTION IN PART OR AS A WHOLE WITHOUT THE WRITTEN PERMISSION OF WOODCRAFTERS HOME PRODUCTS L.L.C. IS PROHIBITED.

UNLESS OTHERWISE SPECIFIED
 DIMENSIONS ARE IN mm and [inches] AND TOLERANCES ARE +/- 0.5[0.02]

DRAWN BY:	IASV	10/21/2015
CHECKED BY:	IASV	10/21/2015
APPROVED BY:	IASV	10/21/2015

TITLE:	ASSEMBLY BRINKHILL 30in CH	
SIZE:	A	PART NO:
PAGE	1 OF 1	REV:
		1