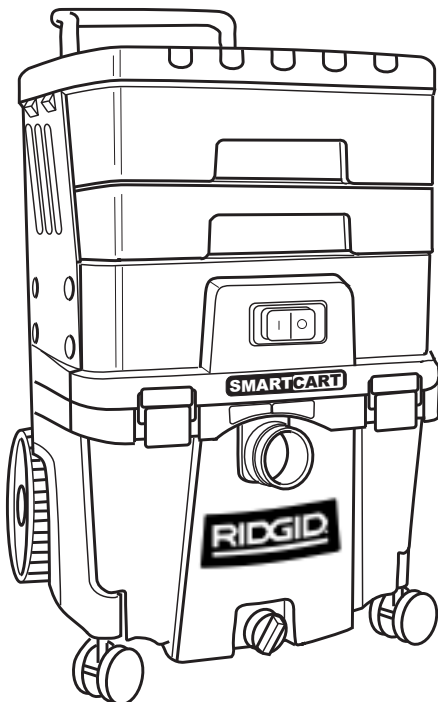


OPERATOR'S MANUAL

11 U.S. GALLONS/41 LITERS
SMARTCART WET/DRY VAC

WD7000



FOR QUESTIONS OR INFORMATION CONTACT US AT
CALL 1-800-4-RIDGID (1-800-474-3443) OR
www.ridgidvac.com

⚠ WARNING:

To reduce the risk of injury, the user must read and understand the owner's manual before using this product.

Thank you for buying a RIDGID product.

• Español - página 19

SAVE THIS MANUAL FOR FUTURE REFERENCE

Table of Contents

Section	Page	Section	Page
Important Safety Instructions	2	Blowing Feature	12
Introduction	4	Storage	13
Unpacking and Checking Carton Contents	5	Hose Storage	13
Removing/Installing/Storing The Metal Handle	6	Accessory Storage	13
Filter Removal and Installation	7	Cord Wrap	13
Wet/Dry Vac Assembly	8	Handle Storage	13
Dust Drum Assembly	8	Maintenance	14
Insert Hose	8	Filter	14
Wheel Assembly	9	Cleaning & Disinfecting the Wet/Dry Vac	15
Operation	10	Casters & Wheels	15
Vacuuming Dry Materials	11	Frame & Handles	15
Vacuuming Liquids	11	Repair Parts	16
Emptying the Drum	11	Warranty	18
Moving the Wet/Dry Vac	12		

IMPORTANT SAFETY INSTRUCTIONS

Safety is a combination of using common sense, staying alert, and knowing how your Wet/Dry Vacuum cleaner (“Vac”) works.

Safety Signal Words

- ▲ DANGER:** Indicates a hazardous situation which, if not avoided, will result in death or serious injury.
- ▲ WARNING:** Indicates a hazardous situation which, if not avoided, could result in death or serious injury.
- ▲ CAUTION:** Indicates a hazardous situation which, if not avoided, could result in minor or moderate injury.

When using your Vac, always follow basic safety precautions including the following:

▲ WARNING

- To reduce the risk of fire, electric shock, or injury:

- Read and understand this manual and all labels on the Wet/Dry Vac before operating.
- Use only as described in this manual.
- Do not leave Vac running while unattended - you may fail to notice important signs indicating abnormal operation such as loss of suction, debris/liquid exiting exhaust, or abnormal motor noises. Immediately stop using Vac if you notice these signs.
- Do not leave Vac when plugged in. Unplug from outlet when not in use and before servicing.


- Sparks inside the motor can ignite flammable vapors or dust. To reduce the risk of fire or explosion, do not use near combustible liquids, gases, or dusts, such as gasoline or other fuels, lighter fluid, cleaners, oil-based paints, natural gas, coal dust, magnesium dust, grain dust, aluminum dust, or gun powder.
- Do not vacuum anything that is burning or smoking, such as cigarettes, matches, or hot ashes.
- Do not vacuum drywall dust, cold fireplace ash, or other fine dusts with standard filter. These may pass through the filter and be exhausted back into the air. Use a fine dust filter instead.
- To reduce the risk of inhaling toxic vapors, do not vacuum or use near toxic or hazardous materials.
- To reduce the risk of electric shock, do not expose to rain or allow liquid to enter motor compartment. Store indoors.
- Do not allow to be used as a toy. Close attention is necessary when used by or near children.
- Turn off Vac before unplugging.
- Do not use with a torn filter or without filter installed except when vacuuming liquids as described in this manual. Dry debris ingested by the impeller may damage the motor or be exhausted into the air.
- To reduce the risk of injury from accidental starting, unplug power cord before changing or cleaning filter.

- Do not unplug by pulling on cord. To unplug, grasp the plug, not the cord.
- Do not use with damaged cord, plug or other parts. If your Vac is not working as it should, has missing parts, has been dropped, damaged, left outdoors, or dropped into water, call customer service.
- Do not pull or carry by cord, use cord as handle, close a door on cord, or pull cord around sharp edges or corners. Do not run Vac over cord. Keep cord away from heated surfaces.
- Do not handle plug, switch, or the Vac with wet hands.
- Use only extension cords that are rated for outdoor use. Extension cords in poor condition or too small in wire size can pose fire and shock hazards. To reduce the risk of these hazards, be sure the cord is in good condition and that liquid does not contact the connection. Do not use an extension cord with conductors smaller than 16 gauge (AWG) in size. To reduce power loss, use a 14 gauge extension cord if 25 to 50 ft. long and 12 gauge for 50 ft. or longer.
- This Vac is double-insulated, eliminating the need for a separate grounding system. Use only identical replacement parts. Read the instructions for Servicing Double-Insulated Wet/Dry Vacs.
- Do not put any object into ventilation openings. Do not vacuum with any ventilation openings blocked; keep free of dust, lint, hair or anything that may reduce air flow.
- Keep hair, loose clothing, fingers, and all parts of body away from openings and moving parts.
- To reduce the risk of falls, use extra care when cleaning on stairs.
- To reduce the risk of back injury or falls, do not lift a Vac that is heavy with liquid or debris. Partially empty by scooping debris or draining liquid.
- To reduce the risk of personal injury or damage to Vac, use only Ridgid recommended accessories.
- When using as a blower:
 - Direct air discharge only at work area.
 - Do not direct air at bystanders.
 - Keep children away when blowing.
 - Do not use blower for any job except blowing dirt and debris.
 - Do not use as a sprayer.
 - Wear safety eyewear.
- To reduce the risk of being struck by, or pulled down by, a rolling Vac, lock the casters when using on any uneven or sloped surface.
- To reduce the risk of eye injury, wear safety eyewear. The operation of any utility Vac or blower can result in foreign objects being blown into the eyes, which can result in severe eye damage.

▲ CAUTION:

- To reduce the risk of hearing damage, wear ear protectors when using for extended time or in a noisy area.
- For dusty operations, wear dust mask.
- Static shocks are common when the relative humidity of the air is low. Vacuuming fine debris with your Vac can deposit static charge on the hose or Vac. To reduce the frequency of static shocks in your home or when using this Vac, add moisture to the air with a humidifier.

Observe the following warnings that appear on the motor housing of your Vac:

 **DOUBLE INSULATED
GROUNDING NOT REQUIRED.
WHEN SERVICING USE ONLY
IDENTICAL REPLACEMENT PARTS.**

▲ WARNING: For your own safety, read and understand owner's manual. Do not run unattended. Do not pick up hot ashes, coals, toxic, flammable or other hazardous materials. Do not use around explosive liquids or vapors.

▲ WARNING: To reduce the risk of electric shock - do not expose to rain - store indoors.

⚠ WARNING: To reduce the risk of fire or other damage, do not use onboard storage compartments to store oily rags or containers with flammable, explosive, corrosive or toxic materials.

⚠ WARNING: 50 Lb. weight limit. Do not stand or sit on Vac. Improper use may cause injury.

⚠ WARNING: To reduce the risk of fire or electric shock, do not leave Vac plugged in when not in use. Do not leave Vac running while unattended.

⚠ WARNING: To reduce the risk of electric shock, always install float before any wet pick-up operation.

SAVE THIS MANUAL

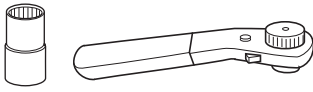
Introduction

This SMARTCART Wet/Dry Vac is intended for household use. It may be used for vacuuming wet or dry media and may be used as a blower.

Read this operator's manual to familiarize yourself with the product features and to understand the specific usage of your new Vac.

Unpacking and Checking Carton Contents

Tools Required



9/16" Socket & Ratchet



9/16" Wrench



Mallet

Refer to the assembly sketch for positioning of parts.

Remove contents of carton. Check each item against the Carton Contents List. Call 1-800-4-RIDGID (1-800-474-3443) or E-mail us at info@ridgid.com if any parts are damaged or missing.

Carton Contents List

Key	Description	Qty
A	Wet/Dry Vac Assembly.....	1
B*	Qwik-Lock™ Fine Dust Filter.....	1
C*	Filter Support Assembly.....	1
D	Hose Assembly.....	1
E	Utility Nozzle.....	1
F	Wet Nozzle.....	1
G	Crevice Nozzle.....	1
H	Claw Nozzle.....	1
J	Dusting Brush.....	1
K	Extension Handle.....	2
L	8" Wheel.....	2
M	Metal Handle.....	1
N	Operator's Manual.....	1

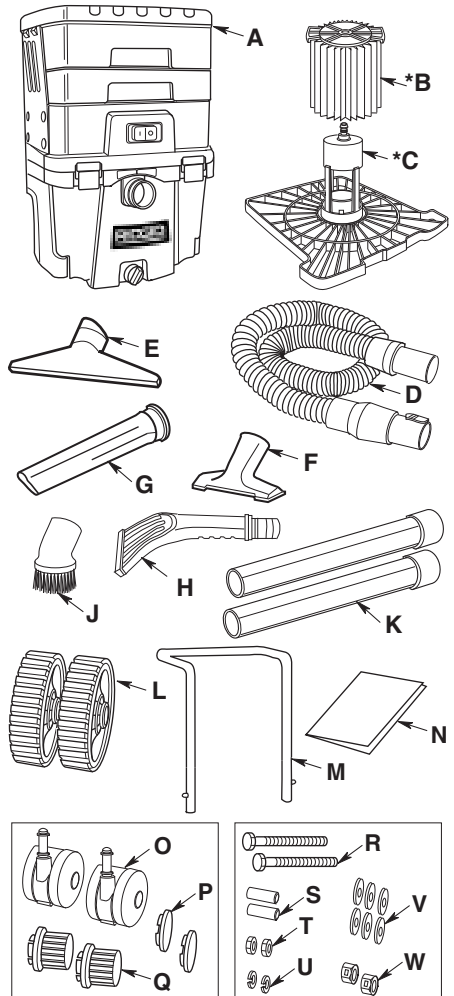
Bag of Loose Parts "A":

O	3" Caster.....	2
P	Wheel Hub Adapter.....	2
Q	Wheel Caps.....	2

Bag of Loose Parts "B":

R	3/8" x 4" Bolt.....	2
S	3/8" x 1-1/2" Spacer.....	2
T	Jam Nut.....	2
U	Lock Washer.....	2
V	Flat Washer.....	6
W	Locknut.....	2

* These items may come preassembled. If they are not present in the carton, check inside the drum to see if they are preassembled.



Removing/Installing/Storing The Metal Handle

Your metal handle comes packaged in the dust drum. You must remove the metal handle from the dust drum and install the handle in the correct direction, bent area facing away from the back of the Vac, before continuing. (Also remove the 8" wheel and set aside for installation).

Installing Handle

Press and hold release buttons while installing handle into handle receptacles in drum (See illustration).

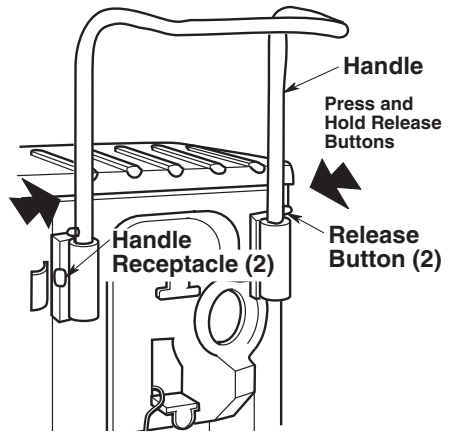
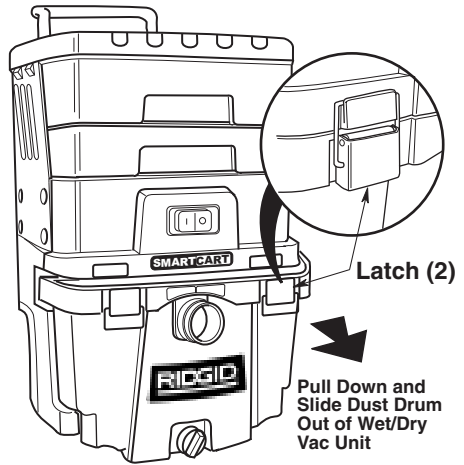
NOTE: An audible snap of release buttons indicates successful engagement of handle.

Lowering Handle for Storage

To store Wet/Dry Vac, press and hold release buttons while firmly sliding handle down.

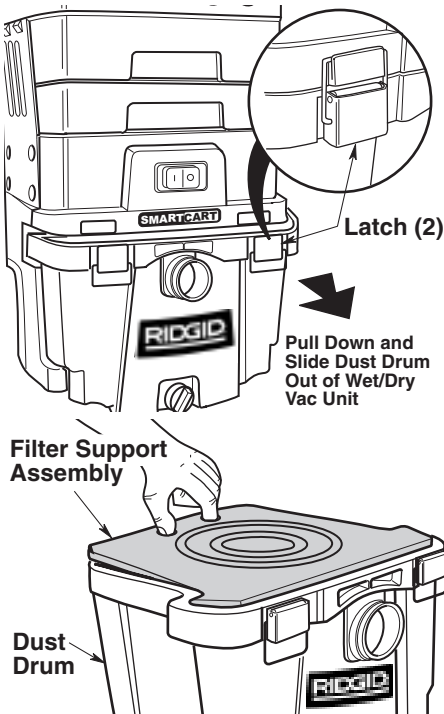
Removing Handle

Press and hold release buttons, as shown. While firmly pushing in release buttons, pull handle upwards to remove.



Filter Removal and Installation

NOTE: The filter is accessed by unlatching and removing the dust drum. The filter support assembly can be removed by grasping the filter support as shown in the illustrations below.

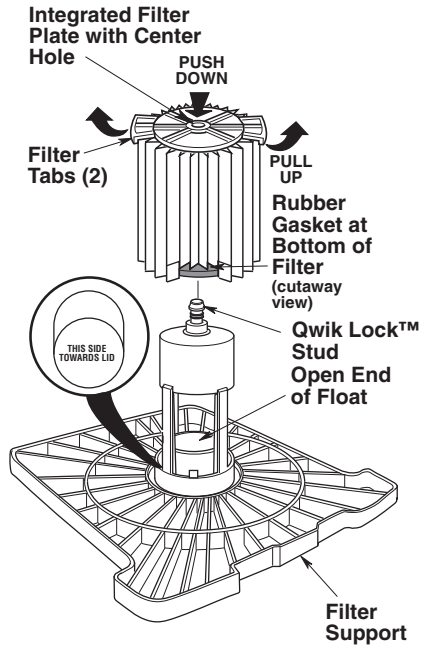


⚠ WARNING: For your own safety, never connect plug to power source until all assembly steps are complete and you have read and understood the safety and operation instructions. Do not operate Vac with any parts damaged or missing.

Removal and Installation of the Qwik Lock™ Filter

Filter Removal:

1. Hold the filter tabs of the Qwik Lock™ filter in each hand.
2. With one thumb on the Qwik Lock™ stud, which protrudes through the integrated filter plate, lift up on the filter tabs while pushing down on the stud.



3. This action will cause the filter to release from the filter cage. Slide filter off cage.

Filter Installation:

1. Carefully slide the Qwik Lock™ filter over the filter cage and press down on the outside edge of the filter until the rubber gasket on the bottom of the filter seats securely around the base of the filter cage and against the lid.
2. Align the small center hole in the top of the filter over the Qwik Lock™ stud on the filter cage. Press firmly on top of the filter near the stud to allow the filter to snap over the ball on the end of the stud. The filter is now attached.

NOTE: Failure to properly seat the bottom gasket could result in debris bypassing the filter.

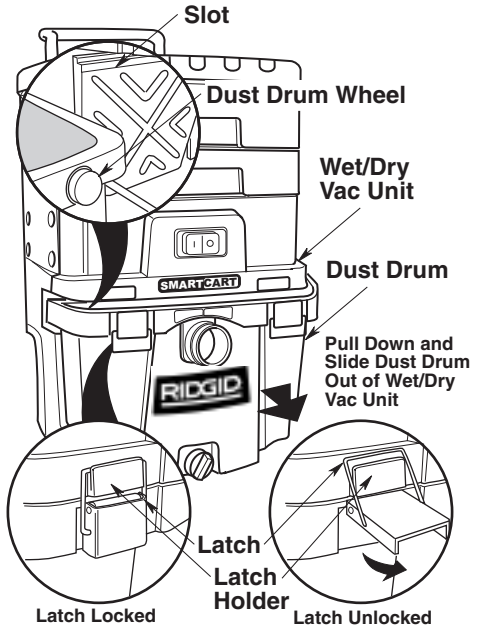
Wet/Dry Vac Assembly

Dust Drum Assembly

1. Slide the dust drum into the front of the wet/dry Vac unit when filter assembly is complete. Position the dust drum wheels into the drum area slots and glide into place.

NOTE: When reinstalling the dust drum and filter support assembly, ensure that the front of the dust drum is flush with the lid and motor cover assembly. The dust drum should fit snugly into place. There are two pins in the Wet/Dry Vac unit that must fit into the slots in the drum. This ensures proper alignment. The dust drum must be installed properly to ensure the Wet/Dry Vac functions correctly.

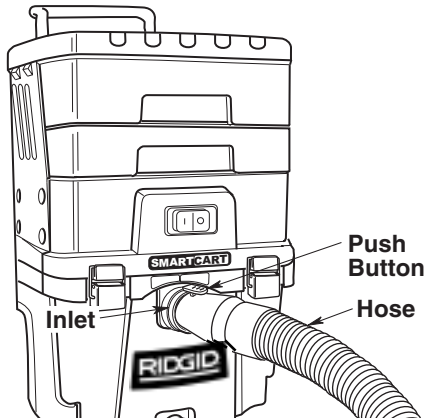
2. Pull the two latches on the front of the dust drum up and over the latch holders and press down firmly until they snap in place. If the pins from the lid and motor cover assembly are not aligned, the latches will not lock.



⚠ WARNING: To avoid ingesting debris or water in the impeller and damaging Vac, never operate without filter support assembly in place.

Insert Hose

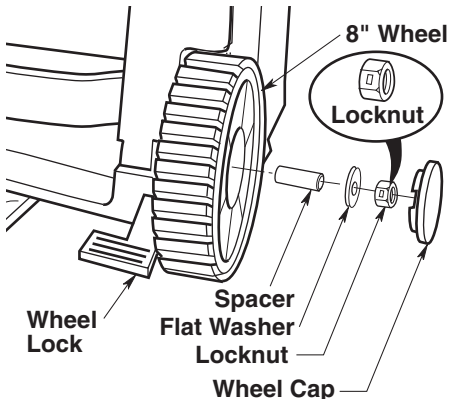
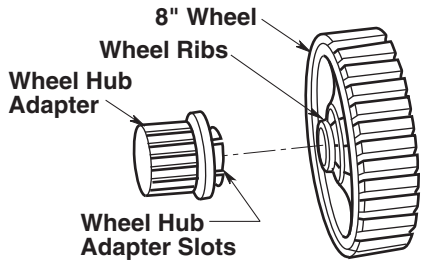
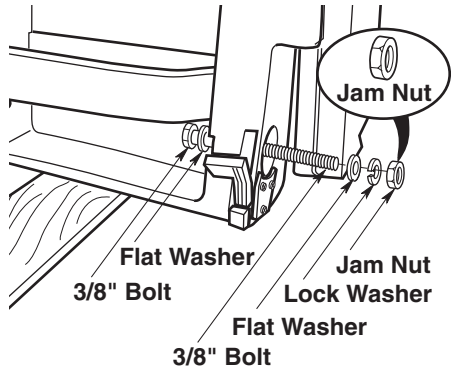
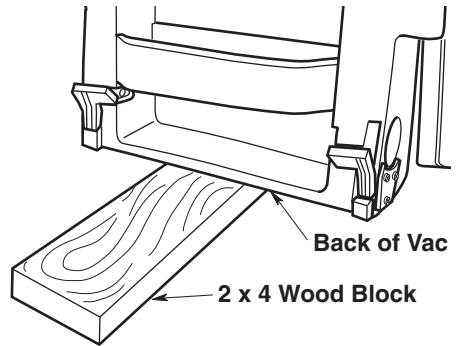
Insert the push button end of the hose assembly into the inlet of the Vac. The hose should snap into place. To remove the hose from the Vac, press the release button in the hose assembly and pull the hose out of the Vac inlet, as shown.



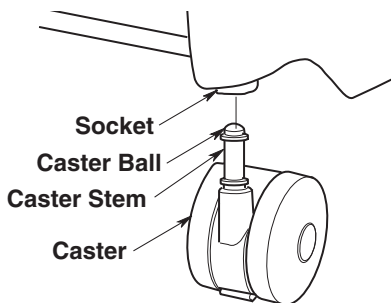
Wheel Assembly

If any parts are missing or damaged, contact customer service. Do not attempt to assemble unit until you have all the parts.

1. Pull the dust drum clear of the Wet/Dry Vac. Locate the two 8" diameter wheels and the two bag assemblies.
2. Prop a 2 x 4 wood block approximately 12" long, under the rear of the Vac.
3. Place one flat washer onto the 3/8" bolt and install into the hole in rear panel. Push the bolt all the way through wheel hub.
4. Place one flat washer and one lock washer onto the bolt.
5. Screw on one jam nut and tighten with a 9/16" wrench. You will need to hold the head of the bolt with the 9/16" socket to securely tighten the jam nut.
6. Insert the wheel hub adapter onto the 8" wheel. Make sure that the slots on the wheel adapter fits snugly into the ribs of the wheel. Place adapter and wheel onto bolt.
7. Insert one spacer on the bolt and push through the wheel opening.
8. Install one flat washer and one locknut. Tighten locknut securely.
9. Using a rubber mallet, gently tap the wheel caps onto each wheel. This is required on both the left and right sides.
10. Lock the rear wheels by stepping down on the wheel locks to secure unit. Tilt Vac back to expose the front wheel area.



11. Push the caster on until the ball on the caster stem is inserted all the way onto the socket. You will hear the ball snap into the socket and the caster will swivel easily when positioned correctly.



Operation

⚠ WARNING: To reduce the risk of fire, explosion, or damage to Vac:

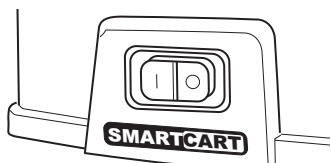
- Do not leave Vac running while unattended - you may fail to notice important signs indicating abnormal operation such as loss of suction, debris/liquid exiting the exhaust, or abnormal motor noises. Immediately stop using Vac if you notice these signs.
- Do not leave Vac plugged in when not in use.
- Do not continue running when float has cut off suction.
- Sparks inside the motor can ignite airborne flammables. Do not operate Vac near flammable liquids or in areas with flammable gases, vapors, or explosive/airborne dust. Flammable liquids, gases, and vapors include: lighter fluid, solvent-type cleaners, oil-based paints, gasoline, alcohol, and aerosol sprays. Explosive dusts include: coal, magnesium, aluminum, grain, and gun powder.
- Do not vacuum up explosive dusts, flammable liquids, or hot ashes.

⚠ WARNING: To reduce the risk of electric shock or injury:

- Do not expose to rain or allow liquid to enter motor compartment. Store indoors.
- Do not handle plug, switch, or Vac with wet hands.
- Unplug Vac before servicing. If your Vac is not working as it should, has missing parts, has been dropped, damaged, left outdoors, or dropped into water, return it to an independent service center or call customer service.
- When using an extension cord, use only outdoor-rated cords that are in good condition. Do not allow the connection to come into contact with liquid.

To reduce the risk of electric shock, this appliance has a polarized plug (one blade is wider than the other). This plug will fit in a polarized outlet only one way. If the plug does not fit fully in the outlet, reverse the plug. If it still does not fit, contact a qualified electrician to install the proper outlet. Do not change the plug in any way.

After you plug the power cord into the



outlet, turn the unit on by pushing the switch from position "O" to position "I". The symbols used on the switch actuator are international "On & Off" symbols.



Familiarize yourself with the accessories included with the Vac. Each accessory may be used in various ways for vacuuming and blowing debris. Here is a list of the accessories and their uses.

Utility Nozzle - General purpose nozzle for most vacuuming applications.

Operation (continued)

Wet Nozzle - Used for wet pickup on smooth surfaces to pick up liquid and dry the surface in one stroke.

Claw Nozzle - Used for wet or dry pickup.

Dusting Brush - Dry pickup of dust and dirt debris.

Car Nozzle (not provided) - Dry pickup nozzle for car interiors and most upholstery cleaning.

Extension Handles - These handles can be connected together and provides additional length for more reach.

Hose - Provides transfer of vacuum or blowing capability to work site. Provides the means of attaching extension handles and nozzles.

Crevice Tool - Use to pick up debris in hard to reach locations.

⚠ WARNING: To reduce the risk of fire or electric shock, do not run Vac unattended.

Vacuuming Dry Materials

1. The filter must always be in correct position to reduce the risk of leaks and possible damage to Vac.
2. Your Wet/Dry Vac comes with the VF5000 Filter installed. When using your Vac to pick up very fine dust, it will be necessary for you to empty the drum and clean the filter at more frequent intervals to maintain peak Vac performance.

NOTE: A dry filter is necessary to pick up dry material. If you use your Vac to pick up dust when the filter is wet, the filter will clog quickly and be very difficult to clean.

Vacuuming Liquids

1. When picking up small amounts of liquid the filter may be left in place.
2. When picking up large amounts of liquid we recommend that the filter be removed. If the filter is not removed, it will become saturated and misting may appear in the exhaust.

3. When the liquid in the drum reaches a predetermined level, the float mechanism will rise automatically to cut off air-flow. When this happens, turn off the Vac, unplug the power cord, and empty the drum. You will know that the float has risen because Vac airflow ceases and the motor noise will become higher in pitch, due to increased motor speed.
4. After using the Vac to pick up liquids, allow the filter to dry to reduce the risk of mildew and damage to the filter.

IMPORTANT: To reduce the risk of damage to the Vac do not run motor with float in raised position.

⚠ WARNING: Do not operate with the float removed. It prevents liquid from entering the impeller and damaging the motor.

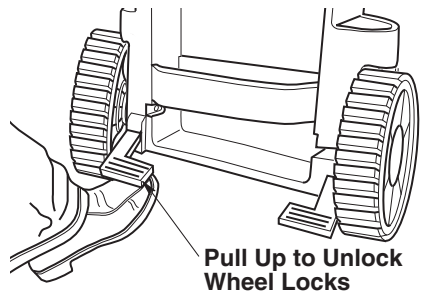
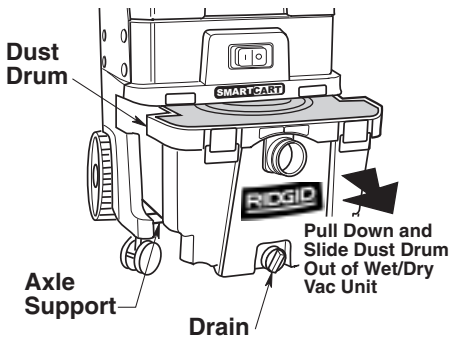
Emptying the Drum

⚠ WARNING: To reduce the risk of injury from accidental starting, unplug power cord before emptying the drum.

⚠ WARNING: To reduce the risk of back injury or falls, do not lift a Vac heavy with liquid or debris. Scoop or drain enough contents out to make the Vac light enough to lift comfortably.

1. The Vac comes equipped with a drain for easy emptying of liquids. Simply unscrew the drain cap and lift the opposite side slightly to empty the drum.
2. Another option is to remove the drum from the Vac.
3. Pull the drum out from the Vac by pulling down and sliding the drum on the axle support under the drum.
4. Dump the drum contents into the proper waste disposal container.

Operation (continued)



5. Replace the drum by reinserting into the cavity and push until it snaps into place.

Moving the Wet/Dry Vac

To maneuver the Vac, the metal handle in the rear of the unit should be positioned in the upright position for ease of movement. Be sure to unlock the back wheels by pulling up on the wheel locks before moving the Vac.

Blowing Feature

Your Vac features a blowing port. It can blow sawdust and other debris. Follow the steps below to use your Vac as a blower.

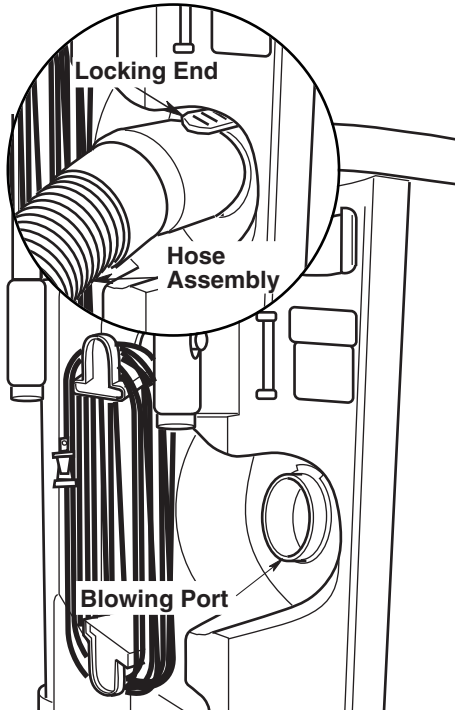
1. Locate blowing port of your Vac.

⚠ WARNING: Always wear safety eyewear complying with ANSI Z87.1 (or in Canada, CSA Z94.3) before using as a blower.

⚠ WARNING: To reduce the risk of injury to bystanders, keep them clear of blowing debris.

⚠ CAUTION: Wear a dust mask if blowing creates dust which might be inhaled.

⚠ CAUTION: To reduce the risk of hearing damage wear ear protectors when using the Vac/blower for extended hours or when using in a noisy area.



2. Insert the locking end of the hose assembly into the blowing port of the Vac. The hose should snap into place. To remove the hose from the Vac, press the release button in the hose assembly and pull the hose out of the Vac inlet.

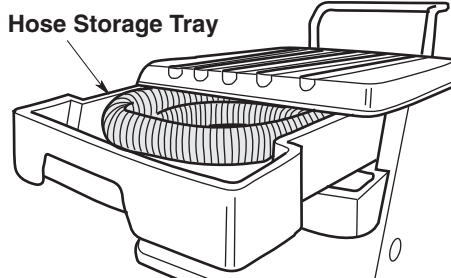
3. (Optional) Attach extension handle to opposite end of hose, then place the crevice tool on the wand.

4. Turn Vac on and you are ready to use your Vac as a blower.

Storage

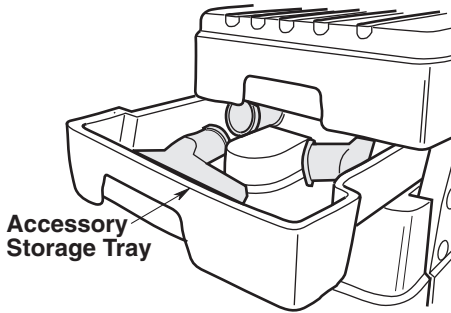
Hose Storage

The hose may be stored by placing in the top removable tray. You may also open the hinged top to access the hose storage.



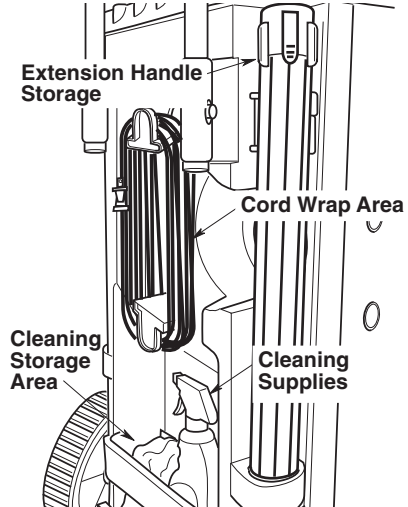
Accessory Storage

Your wet/dry Vac accessories may be stored in the removable lower tray. Cleaning supplies may be stored in the storage area on the back of the unit between the wheels. The extension handles snap into place at the the back of the Vac in the extension handle storage areas.



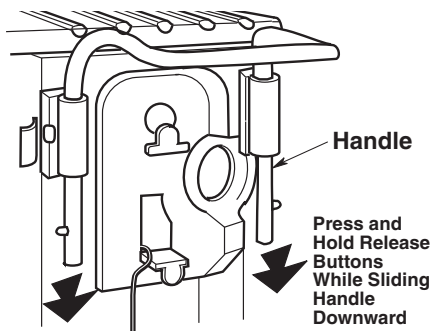
Cord Wrap

When vacuuming is complete, unplug the cord and wrap it around the cord wrap area located on the back of the unit.



Handle Storage

When storing the Wet/Dry Vac, press and hold release buttons while firmly sliding the handle down.



Maintenance

Filter

▲ WARNING: To reduce the risk of injury from accidental starting, unplug power cord before changing or cleaning filter.

NOTE: The filter is made of high quality paper designed to stop very small particles of dust. The filter can be used for dry pick up or small amounts of liquid. Handle the filter carefully when removing to clean or installing it. Creases in the filter pleats may occur from installation but will not affect the performance of the filter.

Filter Cleaning

Your filter should be cleaned often to maintain peak Vac performance.

Be sure the filter is dry before storing or picking up dry debris.

IMPORTANT: After cleaning, check the filter for tears or small holes. Do not use a filter with holes or tears in it. Even a small hole can cause a lot of dust to come out of your Vac. Replace it immediately.

Filter Removal

Refer to page 7 "Filter Removal and Installation" Section of this manual.

IMPORTANT: To avoid damage to the blower wheel and motor, always reinstall the filter before using the Vac for dry material pick-up.

Cleaning A Dry Filter

1. Some removal of dry debris can be accomplished without removing the filter from the Vac. Slap your hand on top of the lid while the Vac is turned off.
2. For best cleaning results due to accumulated dust, clean the filter in an open area. Cleaning **SHOULD** be done outdoors and not in the living quarters.
3. After filter removal from Vac, remove the dry debris by gently tapping filter against the inside wall of your dust drum. The debris will loosen and fall.
4. For thorough cleaning of dry filter with fine dust (no debris), run water through it as described under "Cleaning A Wet Filter".

Cleaning A Wet Filter

After filter is removed, run water through the filter from a hose or spigot. Take care that water pressure from the hose is not strong enough to damage filter.

Installation

Refer to page 7 "Filter Removal and Installation" Section of this manual.

Allow the filter to dry before reinstalling and storing the Vac.

Maintenance (continued)

Cleaning and Disinfecting the Wet/Dry Vac

To keep your Wet/Dry Vac looking its best, clean the outside with a cloth dampened with warm water and mild soap.

To clean the drum:

1. Dump debris out.
2. Wash drum thoroughly with warm water and mild soap.
3. Wipe out with dry cloth.

Before prolonged storage or as needed (i.e.; after waste water pick up) the drum should be disinfected.

To disinfect the drum:

1. Pour 1 gallon of water and 1 teaspoon chlorine bleach into the drum.
2. Let solution stand for 20 minutes, carefully swishing every few minutes, making sure to wet all inside surfaces of the drum.
3. Empty drum after 20 minutes. Rinse with water until bleach smell is gone. Allow drum to dry completely before sealing the motor on the drum.

Casters and Wheels

Should your cart squeak or become hard to roll, you should place two or three drops of general purpose oil on each wheel at the axle. If your casters are noisy, you may put a drop of oil on the roller shaft to make them quieter.

Frame and Handles

Your metal handle is painted to prevent rust, however, liquids and corrosive debris should be wiped off with a soft cloth should they come in contact with the handle.

⚠ WARNING: To assure product SAFETY and RELIABILITY, repairs and adjustments should be performed by Authorized Service Centers, always using RIDGID replacement parts.

Repair Parts


11 Gallon SMARTCART Wet/Dry Vac Model Number WD70000

RIDGID parts are available on-line at www.ridgidparts.com

Always order by Part Number - Not by Key Number

▲ WARNING

SERVICING OF DOUBLE-INSULATED WET/DRY VAC

In a double-insulated Wet/Dry Vac, two systems of insulation are provided instead of grounding. No grounding means is provided on a double-insulated appliance, nor should a means for grounding be added. Servicing a double-insulated Wet/Dry Vac requires extreme care and knowledge of the system, and should be done only by qualified service personnel. Replacement parts for a double-insulated Wet/Dry Vac must be identical to the parts they replace. Your double-insulated Wet/Dry Vac is marked with the words "DOUBLE INSULATED" and the symbol  (square within a square) may also be marked on the appliance.

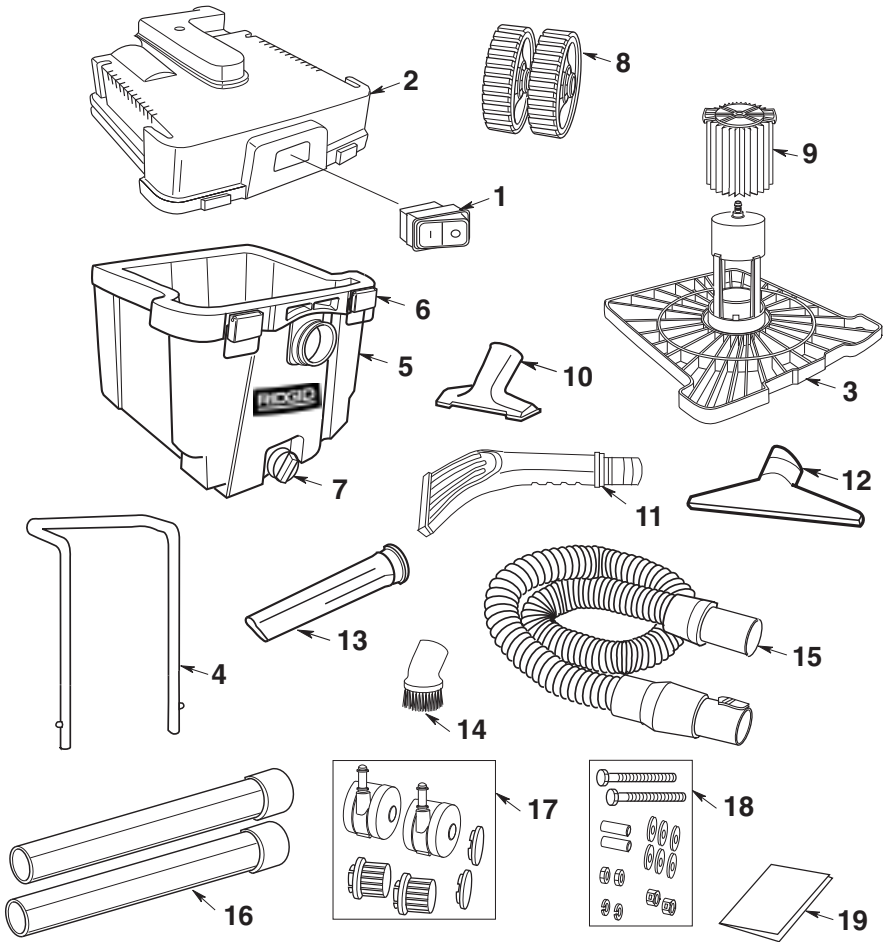
To reduce the risk of injury from electrical shock, unplug power cord before servicing the electrical parts of the Wet/Dry Vac.

Key No.	Part No.	Description
1	510013	Actuator Assembly
2	832328	Power Head Assembly
3	832119	Filter Support Assembly
4	832120	Handle Assembly
5	832113	Dust Drum Assembly
6	832116	Drum Latch
7	73185	Drain Cap
8	830598	8" Wheel
9	VF5000	† Filter, Fine Dust Qwik Lock™
10	VT1789	† Utility Nozzle
11	VT2540	† Claw Nozzle
12	VT1710	† Wet Nozzle
13	829792	† Crevice Tool
14	VT1701	† Dusting Brush
15	831337-8	† Hose Assembly
16	VT1708	† Extension, Handle
17	509950	Bag Assembly (Casters)
18	509949	Bag Assembly (8" Wheel Hardware)
19	SP6659	Operator's Manual

† These replacement parts may be available where you purchased your Vac.

Repair Parts (continued)

RIDGID parts are available on-line at www.ridgidparts.com





• What is covered

RIDGID® Wet/Dry Vacs are warranted to be free of defects in workmanship and material.

• How long coverage lasts

This warranty lasts for the lifetime of the RIDGID® tool. Warranty coverage ends when the product becomes unusable for reasons other than defects in workmanship or material.

• How to obtain service

To obtain the benefit of this warranty, please call 1-800-4-RIDGID (1-800-474-3443).

• What we will do to correct problems

Warranted Wet/Dry Vacs will be repaired or replaced, at Ridge Tool Company's option, and returned at no charge; or, if after three attempts to repair or replace during the warranty period the Wet/Dry Vac is still defective, you can elect to receive a full refund of your purchase price.

• What is not covered

Failures due to misuse, abuse or normal wear and tear are not covered by this warranty. **RIDGE TOOL COMPANY SHALL NOT BE RESPONSIBLE FOR ANY INCIDENTAL OR CONSEQUENTIAL DAMAGES.**

• How local laws relate to the warranty

Some states do not allow the exclusion or limitation of incidental or consequential damages, so the above limitation or exclusion may not apply to you. This warranty gives you specific rights, and you may also have other rights which vary from state to state, province to province, or country to country.

• No other express warranty applies

This FULL LIFETIME WARRANTY is the sole and exclusive warranty for RIDGID® Wet/Dry Vacs. No employee, agent, dealer, or other person is authorized to alter this warranty or make any other warranty on behalf of Ridge Tool Company.

Stock No. WD7000

Model No. WD70000

Serial Number _____

Model and serial numbers may be found on the rear panel. You should record both model and serial numbers in a safe place for future use.

**QUESTIONS OR COMMENTS? CALL
1-800-4-RIDGID (1-800-474-3443)**

www.ridgidvacs.com

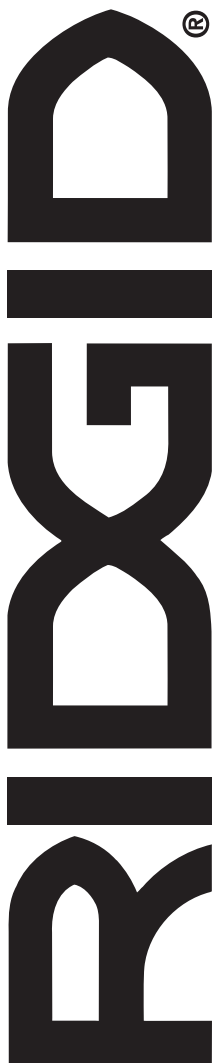
Please have your Model Number and Serial Number on hand when calling.



EMERSON™

Commercial & Residential Solutions

© 2012 Emerson

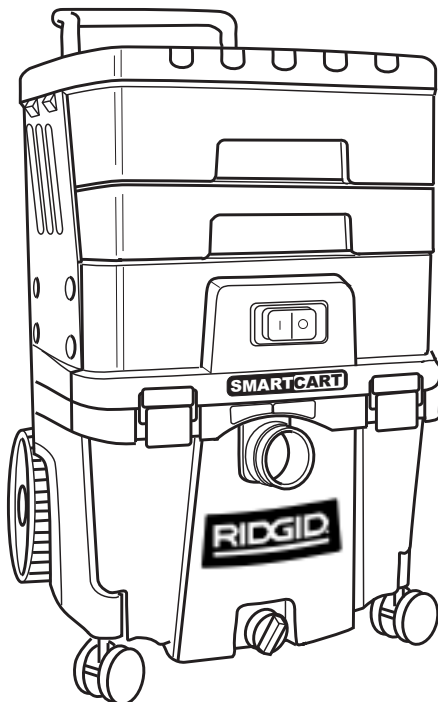


MANUAL DEL OPERADOR

ASPIRADORA PARA MOJADO/SECO
SMARTCART

DE 11 GALONES EE.UU./ 41 LITROS

WD7000



SI TIENE PREGUNTAS O DESEA INFORMACIÓN, CONTÁCTENOS LLAMANDO AL

1-800-4-RIDGID (1-800-474-3443) 0

CONECTÁNDOSE A www.ridgidvac.com

⚠ ADVERTENCIA:

Para reducir el riesgo de lesiones, el usuario debe leer y entender el manual del operador antes de utilizar este producto.

Gracias por comprar un producto RIDGID.

GUARDE ESTE MANUAL PARA REFERENCIA FUTURA

Índice

Sección	Página	Sección	Página
Instrucciones de seguridad importantes	20	Traslado de la aspiradora para mojado/seco	30
Introducción	22	Dispositivo de soplado	30
Desempaquetado y comprobación del contenido de la caja de cartón	23	Almacenamiento	31
Remoción, instalación y almacenamiento del asa metálica	24	Almacenamiento de la manguera	31
Remoción e instalación del filtro	25	Almacenamiento de los accesorios	31
Ensamblaje de la aspiradora para mojado/seco	26	Enrollador del cordón	31
Ensamblaje del tambor para polvo	26	Almacenamiento del asa	31
Introduzca la manguera	26	Mantenimiento	32
Ensamblaje de las ruedas	27	Filtro	32
Funcionamiento	28	Limpieza y desinfección de la aspiradora para mojado/seco	33
Recogida de materiales secos con la aspiradora	29	Ruedecillas y ruedas	33
Recogida de líquidos con la aspiradora	29	Armazón y mangos	33
Vaciado del tambor	29	Piezas de repuesto	34
		Garantía	36

INSTRUCCIONES DE SEGURIDAD IMPORTANTES

La seguridad es una combinación de sentido común, permanecer alerta y saber cómo funciona la aspiradora para mojado/seco ("la aspiradora").

Palabras de señal de seguridad

▲ PELIGRO: indica una situación peligrosa que, si no se evita, causará la muerte o lesiones graves.

▲ ADVERTENCIA: indica una situación peligrosa que, si no se evita, podría causar la muerte o lesiones graves.


▲ PRECAUCIÓN: indica una situación peligrosa que, si no se evita, pudiera causar lesiones leves o moderadas o daños materiales.

Cuando utilice la aspiradora, siga siempre las precauciones básicas de seguridad, incluyendo las siguientes:

▲ ADVERTENCIA – Para reducir el riesgo de incendio, sacudidas eléctricas o lesiones:

- Lea y entienda este manual del usuario y todas las etiquetas que están colocadas en la aspiradora para mojado/seco antes de utilizarla.
- Utilice la aspiradora únicamente de la manera que se describe en este manual.
- No deje la aspiradora en marcha mientras está desatendida. Usted podría no notar señales importantes que indiquen un funcionamiento anormal, tal como pérdida de succión, residuos o líquido que salen por el escape o ruidos anormales del motor. Deje de usar la aspiradora inmediatamente si observa estas señales.
- No abandone la aspiradora cuando esté enchufada. Desenchúfela del tomacorriente cuando no la esté utilizando y antes de realizar servicio de revisión.

- Las chispas que se producen en el interior del motor pueden incendiar los vapores inflamables o el polvo. Para reducir el riesgo de incendio o explosión: No use la aspiradora cerca de líquidos o gases inflamables o combustibles, o polvos explosivos como gasolina u otros combustibles, líquido encendedor, limpiadores, pinturas a base de aceite, gas natural, hidrógeno, polvo de carbón, polvo de magnesio, polvo de aluminio, polvo de granos de cereal o pólvora.
- No recoja con la aspiradora nada que esté ardiendo o humeando, como cigarrillos, fósforos o cenizas calientes.
- No recoja con la aspiradora polvo de pared de tipo seco ni hollín frío o ceniza fría de chimenea con un filtro estándar. Estos materiales pueden pasar por el filtro y pueden ser expulsados de vuelta al aire. Utilice un filtro para polvo fino en lugar de un filtro estándar.
- Para reducir el riesgo de inhalar vapores tóxicos, no recoja con la aspiradora materiales tóxicos o peligrosos ni la use cerca de dichos materiales.
- Para reducir el riesgo de descargas eléctricas, no exponga la aspiradora a la lluvia ni deje que entren líquidos en el compartimiento del motor. Guarde la aspiradora en un lugar interior.
- No permita que la aspiradora se utilice como un juguete. Se necesita prestar máxima atención cuando sea utilizada por niños o cerca de éstos.
- Apague la aspiradora antes de desenchufarla.
- No use la aspiradora con un filtro desgarrado o sin tener el filtro instalado, excepto cuando recoja con ella líquidos de la manera que se describe en este manual. Los residuos secos absorbidos por el impulsor podrían dañar el motor o ser expulsados de vuelta al aire.

- Para reducir el riesgo de lesiones debidas a un arranque accidental, desenchufe el cordón de energía antes de cambiar o limpiar el filtro.
 - No desenchufe la aspiradora tirando del cordón. Para desenchufarla, agarre el enchufe y no el cordón.
 - No use la aspiradora con el cordón dañado, el enchufe dañado u otras piezas dañadas. Si la aspiradora no funciona como debe, le faltan piezas, se ha caído, ha sido dañada, se ha dejado a la intemperie o se ha caído al agua, llame a servicio al cliente.
 - No tire de la aspiradora usando el cordón ni la lleve por el cordón, ni use el cordón como asa, ni cierre una puerta sobre el cordón, ni tire del cordón alrededor de bordes o esquinas afilados. No pase la aspiradora en marcha sobre el cordón. Mantenga el cordón alejado de las superficies calientes.
 - No maneje el enchufe, el interruptor o la aspiradora con las manos mojadas.
 - Utilice únicamente cordones de extensión que tengan capacidad nominal para uso a la intemperie. Los cordones de extensión que estén en malas condiciones o tengan un tamaño de alambre demasiado pequeño pueden crear peligros de incendio y descargas eléctricas. Para reducir el riesgo de estos peligros, asegúrese de que el cordón esté en buenas condiciones y que el líquido no entre en contacto con la conexión. No utilice un cordón de extensión que tenga conductores con un diámetro menor al calibre 16 (AWG). Para reducir la pérdida de potencia, utilice un cordón de extensión de calibre 14 si la longitud es de 25 a 50 pies, y de calibre 12 si la longitud es de 50 pies o más.
 - Esta aspiradora para mojado/seco tiene aislamiento doble, lo cual elimina la necesidad de un sistema independiente de conexión a tierra. Utilice únicamente piezas de repuesto idénticas. Lea las instrucciones de servicio de revisión de las aspiradoras para mojado/seco con aislamiento doble.
 - No ponga ningún objeto en las aberturas de ventilación. No recoja nada con la aspiradora cuando cualquiera de las aberturas de ventilación esté bloqueada; mantenga dichas aberturas libres de polvo, pelusa, pelo o cualquier cosa que pueda reducir el flujo de aire.
 - Mantenga el pelo, la ropa holgada, los dedos y todas las partes del cuerpo alejados de las aberturas y de las piezas móviles.
 - Para reducir el riesgo de caídas, tenga cuidado adicional al limpiar en escaleras.
 - Para reducir el riesgo de lesiones de espalda o caídas, no levante una aspiradora que pese mucho debido a que contiene líquido o residuos. Saque parte del contenido de la aspiradora o drénela parcialmente.
 - Para reducir el riesgo de lesiones corporales o daños a la aspiradora, utilice únicamente accesorios recomendados por Ridgid.
 - Cuando utilice la aspiradora como soplador :
 - Dirija la descarga de aire solamente hacia el área de trabajo.
 - No dirija el aire hacia las personas que estén presentes.
 - Mantenga alejados a los niños durante la operación de soplado.
 - No utilice el soplador para trabajos que no sean soplar suciedad y residuos.
 - No use la aspiradora como rociador.
 - Use protección ocular de seguridad.
 - Para reducir el riesgo de que una aspiradora rodante le golpee o tire de usted, bloquee las ruedecillas cuando utilice la unidad en cualquier superficie desigual o en pendiente.
 - Para reducir el riesgo de lesiones en los ojos, use protección ocular de seguridad. La utilización de cualquier aspiradora utilitaria o soplador utilitario puede hacer que se soplen objetos extraños hacia los ojos, lo cual puede causar daños graves en los ojos.
-
- ▲ PRECAUCIÓN:**
- Para reducir el riesgo de daños a la audición, use protectores de oídos cuando utilice la aspiradora durante muchas horas seguidas o cuando la emplee en un área ruidosa.
 - Para operaciones que generan polvo, use una máscara antipolvo.
 - Las descargas de estática son comunes cuando la humedad relativa del aire es baja. Si recoge residuos finos con la aspiradora, se puede depositar carga estática en la manguera o en la aspiradora. El mejor remedio para reducir la frecuencia de las descargas de estática en su casa o cuando use esta aspiradora es añadir humedad al aire con un humidificador.
-
- Siga las siguientes advertencias que aparecen en la caja del motor de la aspiradora.
-  AISLAMIENTO DOBLE. NO SE REQUIERE CONEXION A TIERRA.
- CUANDO HAGA SERVICIO DE REVISIÓN DE LA ASPIRADORA, UTILICE ÚNICAMENTE PIEZAS DE REPUESTO IDÉNTICAS.
- ▲ ADVERTENCIA:** Para su propia seguridad, lea y entienda el manual del operador. No tenga en marcha la aspiradora desatendida. No recoja cenizas calientes, carbón caliente, materiales tóxicos ni inflamables ni otros materiales peligrosos. No use la aspiradora alrededor de líquidos o vapores explosivos.
- ▲ ADVERTENCIA:** Para reducir el riesgo de sacudidas eléctricas, no exponga la aspiradora a la lluvia y almacénela en interiores.

⚠ ADVERTENCIA: Para reducir el riesgo de incendio u otros daños, no utilice los compartimientos de almacenamiento a bordo para almacenar trapos grasosos o recipientes con materiales inflamables, explosivos, corrosivos o tóxicos.

⚠ ADVERTENCIA: Para reducir el riesgo de incendio o descarga eléctrica, no deje enchufada la aspiradora cuando no esté en uso. No deje en marcha la aspiradora mientras esté desatendida.

⚠ ADVERTENCIA: 50 lb de peso límite. No se ponga de pie ni se siente sobre la aspiradora. El uso incorrecto puede causar lesiones.

⚠ ADVERTENCIA: Para reducir el riesgo de descargas eléctricas, instale siempre el flotador antes de realizar cualquier operación de recogida de material mojado.

GUARDE ESTE MANUAL

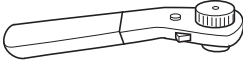
Introducción

Esta aspiradora para mojado/seco SMARTCART está diseñada para uso doméstico solamente. Se puede utilizar para recoger materiales mojados o secos y se puede usar como soplador.

Lea este manual del operador para familiarizarse con las características del producto y para entender la utilización específica de su nueva aspiradora.

Desempaque y comprobación del contenido de la caja de cartón

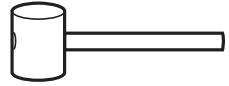
Herramientas necesarias



Casquillo y llave de carraca de 9/16 de pulgada



Llave de tuerca de 9/16 de pulgada



Mazo

Consulte el dibujo de ensamblaje para averiguar el posicionamiento de las piezas.

Saque todo el contenido de la caja de cartón. Asegúrese de que no falte ningún artículo utilizando la lista del contenido de la caja. Llame al 1-800-4-RIDGID (1-800-474-3443) o comuníquese con nosotros por correo electrónico a info@ridgid.com si alguna pieza está dañada o falta.

Lista del contenido de la caja de cartón

Clave	Descripción	Cant.
A	Ensamblaje de la aspiradora para mojado/seco	1
B*	Filtro para polvo fino Qwik Lock™	1
C*	Ensamblaje del soporte del filtro	1
D	Ensamblaje de manguera	1
E	Boquilla de uso general	1
F	Boquilla para mojado	1
G	Boquilla rinconera	1
H	Boquilla de garra	1
J	Cepillo para polvo	1
K	Asa de extensión	2
L	Rueda de 8 pulgadas	2
M	Asa metálica	1
N	Manual del usuario	1

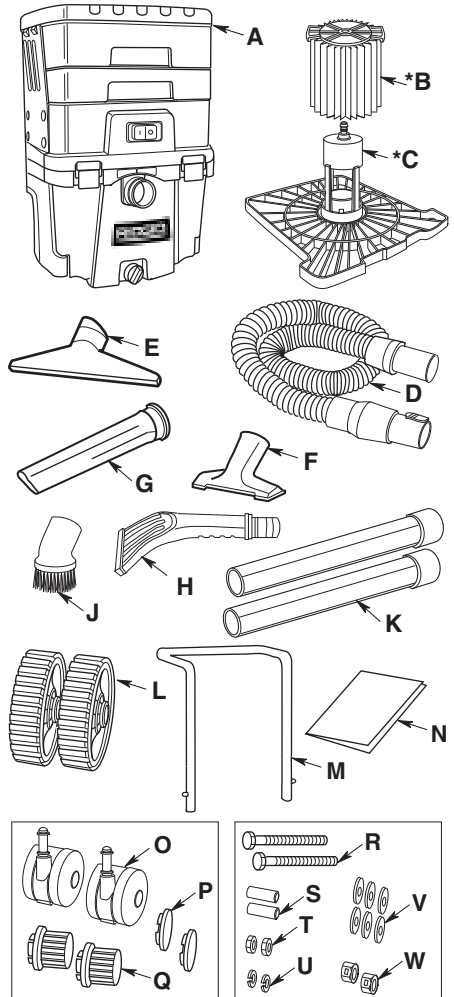
Bolsa de piezas sueltas "A" que contiene lo siguiente:

O	Ruedecilla de 3 pulgadas	2
P	Adaptador de cubo de rueda	2
Q	Tapas de rueda	2

Bolsa de piezas sueltas "B" que contiene lo siguiente:

R	Perno de 3/8" x 4"	2
S	Separador de 3/8" x 1-1/2"	2
T	Contratuercas	2
U	Arandela de seguridad	2
V	Arandela plana	6
W	Tuerca de fijación	2

* Es posible que estos artículos vengan preensamblados. Si no están presentes en la caja de cartón, revise el interior del tambor para comprobar si están preensamblados.



Remoción, instalación y almacenamiento del asa metálica

El asa metálica viene empacada en el tambor para polvo. Usted deber retirar dicha asa metálica del tambor para polvo e instalarla en el sentido correcto, de manera que el área doblada se aleje de la parte trasera de la aspiradora, antes de continuar. (Retire también la rueda de 8 pulgadas y póngala a un lado para realizar la instalación.)

Instalación del asa

Oprima y mantenga oprimidos los botones de liberación mientras instala el asa en los receptáculos para el asa ubicados en el tambor (vea la ilustración).

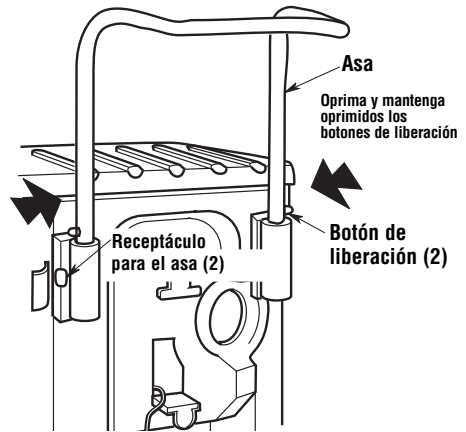
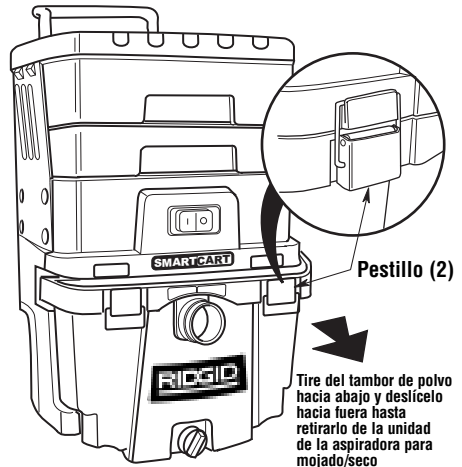
NOTA: Un chasquido audible de los botones de liberación indica un acoplamiento exitoso del asa.

Bajada del asa para almacenar la aspiradora

Para almacenar la aspiradora para mojado/seco, oprima y mantenga oprimidos los botones de liberación mientras desliza firmemente el asa hacia abajo.

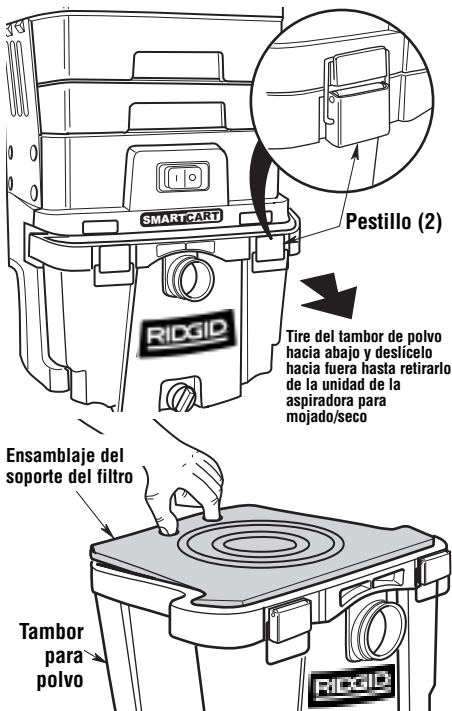
Remoción del asa

Oprima y mantenga oprimidos los botones de liberación, de la manera que se muestra en la ilustración. Mientras oprime firmemente los botones de liberación, tire del asa hacia arriba hasta quitarla.



Remoción e instalación del filtro

NOTA: Para obtener acceso al filtro, desenganche el pestillo y retire el tambor para polvo. El ensamblaje del soporte del filtro se puede retirar agarrando el soporte del filtro de la manera que se muestra en las ilustraciones que aparecen a continuación.



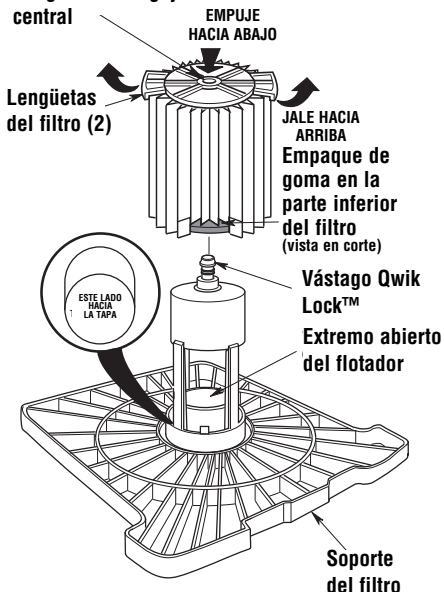
⚠ ADVERTENCIA: Para su propia seguridad, nunca conecte el enchufe al tomacorriente de la fuente de energía hasta que haya completado todos los pasos de ensamblaje y haya leído y entendido las instrucciones de seguridad y utilización. No utilice la aspiradora si alguna de sus piezas está dañada o falta.

Remoción e instalación del filtro Qwik Lock™

Remoción del filtro:

1. Sostenga las lengüetas del filtro Qwik Lock™ en cada mano.
2. Con un dedo pulgar en el vástago Qwik Lock™, que sobresale a través de la placa del filtro integrada, levante las lengüetas del filtro a la vez que empuja hacia abajo sobre el vástago.

Placa de filtro integrada con agujero central



3. Esta acción hará que el filtro se suelte de la jaula del filtro. Deslice el filtro hasta retirarlo de la jaula.

Instalación del filtro:

1. Deslice cuidadosamente el filtro Qwik Lock™ sobre la jaula del filtro y presione hacia abajo sobre el borde exterior del filtro hasta que el empaque de goma ubicado en la parte inferior del filtro se asiente firmemente alrededor de la base de la jaula del filtro y contra la tapa.
2. Alinee el agujero central pequeño ubicado en la parte superior del filtro sobre el vástago Qwik Lock™ ubicado en la jaula del filtro. Presione firmemente sobre la parte de arriba del filtro cerca del vástago, para permitir que el filtro se acople a presión sobre la bola ubicada en el extremo del vástago. Una vez hecho esto, el filtro estará instalado.

NOTA: Si no se asienta apropiadamente el empaque inferior, el resultado podría ser que los residuos pasen por alto el filtro.

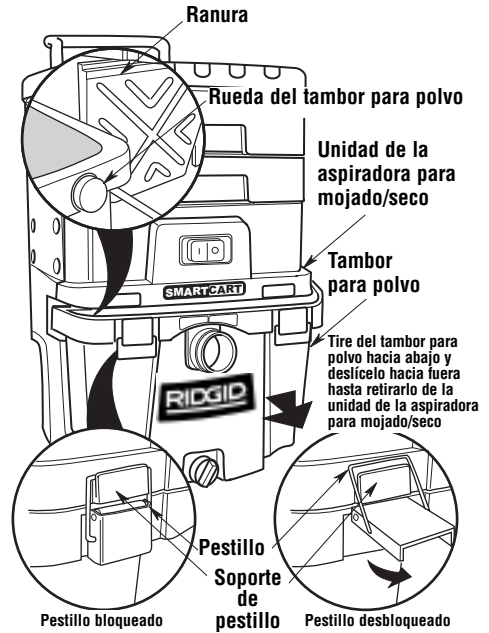
Ensamblaje de la aspiradora para mojado/seco

Ensamblaje del tambor para polvo

1. Deslice el tambor para polvo al interior de la parte delantera de la unidad de la aspiradora para mojado/seco cuando se haya completado el ensamblaje del filtro. Posicione las ruedas del tambor para polvo en las ranuras del área del tambor y deslícelas hasta su posición correcta.

NOTA: Cuando reinstale el tambor para polvo y el ensamblaje del soporte del filtro, asegúrese de que la parte delantera del tambor para polvo esté al ras con el ensamblaje de la tapa y la cubierta del motor. El tambor para polvo debe encajar perfectamente en su sitio. En la unidad de la aspiradora para mojado/seco hay dos espigas que deben encajar en las ranuras del tambor. Esto asegura una alineación adecuada. El tambor para polvo se debe instalar apropiadamente para asegurar que la aspiradora para mojado/seco funcione correctamente.

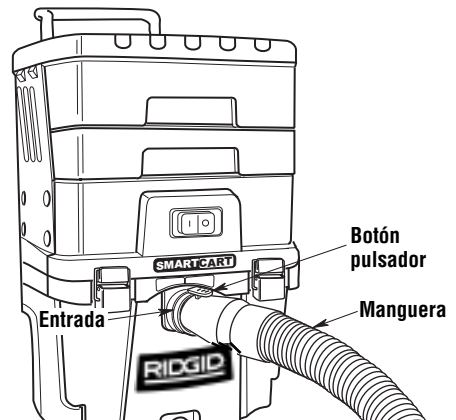
2. Tire de los dos pestillos ubicados en la parte delantera del tambor para polvo hacia arriba y sobre los soportes de pestillo, y presiónelos firmemente hacia abajo hasta que se acoplen a presión en la posición correcta. Si las espigas del ensamblaje de la tapa y la cubierta del motor no están alineadas, los pestillos no quedarán bloqueados.



⚠ ADVERTENCIA: Para evitar la ingestión de residuos o agua en el impulsor y dañar la aspiradora, no utilice nunca la unidad sin tener colocado en su sitio el ensamblaje del soporte del filtro.

Introduzca la manguera

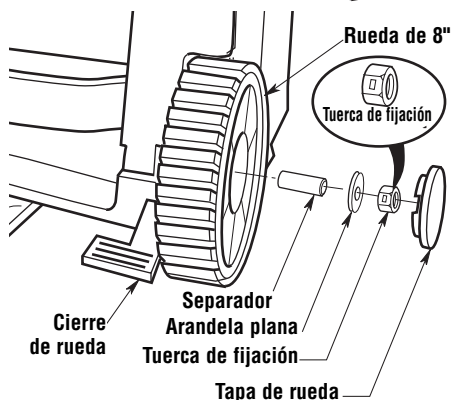
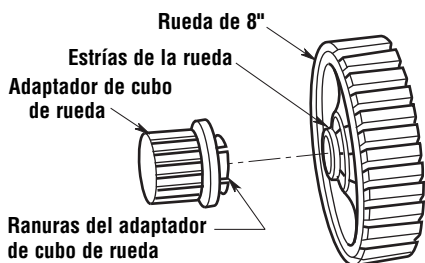
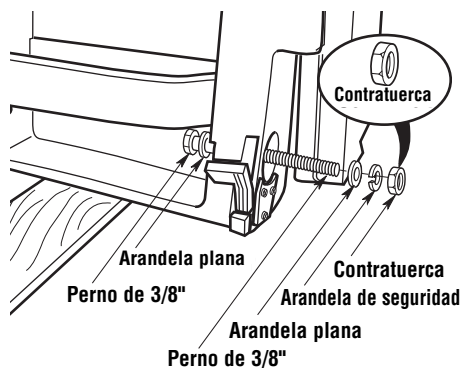
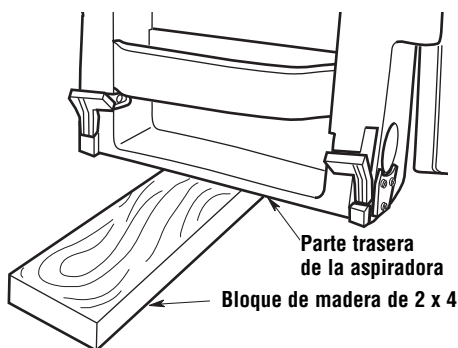
Inserte el extremo del ensamblaje de la manguera que tiene el botón pulsador en la entrada de la aspiradora. La manguera debe acoplarse a presión en su sitio. Para quitar la manguera de la aspiradora, oprima el botón de liberación que está en el ensamblaje de la manguera y tire de la manguera hasta sacarla de la entrada de la aspiradora, de la manera que se muestra en la ilustración.



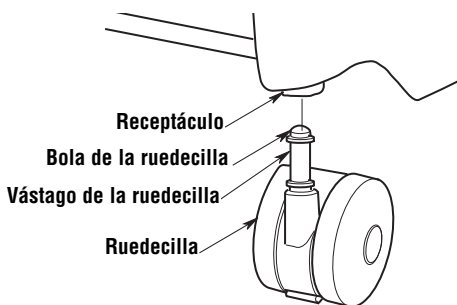
Ensamblaje de las ruedas

Si alguna pieza falta o está dañada, póngase en contacto con servicio al cliente. No intente ensamblar la unidad hasta que tenga todas las piezas.

1. Tire del tambor para polvo hasta retirarlo completamente de la aspiradora para mojado/seco. Localice las dos ruedas de 8 pulgadas de diámetro y los dos ensamblajes de bolsa.
2. Coloque un bloque de madera de 2 x 4 de aproximadamente 12 pulgadas de longitud debajo de la parte trasera de la aspiradora.
3. Coloque una arandela plana en el perno de 3/8 de pulgada e instale el perno en el agujero ubicado en el panel trasero. Empuje el perno completamente a través del cubo de la rueda.
4. Coloque una arandela plana y una arandela de seguridad en el perno.
5. Enrosque una contratuerca y apriétela con una llave de tuerca de 9/16 de pulgada. Usted tendrá que sujetar la cabeza del perno con el casquillo para llave de carraca de 9/16 de pulgada para apretar firmemente la contratuerca.
6. Inserte el adaptador de cubo de rueda en la rueda de 8 pulgadas. Asegúrese de que las ranuras del adaptador de rueda encajen perfectamente en las estrías de la rueda. Coloque el adaptador y la rueda en el perno.
7. Inserte un separador en el perno y empuje el perno a través de la abertura ubicada en la rueda.
8. Instale una arandela plana y una tuerca de fijación. Apriete firmemente la tuerca de fijación.
9. Utilizando un mazo de goma, golpee suavemente las tapas de rueda sobre cada rueda. Es necesario hacer esto tanto en el lado izquierdo como en el lado derecho.
10. Fije las ruedas traseras pisando los cierres de las ruedas para asegurar la unidad. Incline la aspiradora hacia atrás para dejar al descubierto el área de las ruedas delanteras.



11. Empuje la ruedecilla hacia dentro hasta que la bola del vástago de la ruedecilla esté insertada completamente en el receptáculo. Usted oír cómo la bola se acopla a presión en el receptáculo y la ruedecilla girará fácilmente cuando esté posicionada correctamente.



Funcionamiento

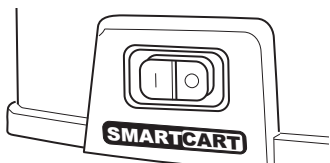
▲ ADVERTENCIA: Para reducir el riesgo de incendio, explosión o daños a la aspiradora:

- No deje la aspiradora en marcha mientras esté desatendida. Usted podría no notar señales importantes que indiquen un funcionamiento anormal, tal como pérdida de succión, residuos o líquido que salen por el escape o ruidos anormales del motor. Deje de usar la aspiradora inmediatamente si observa estas señales.
- No deje la aspiradora enchufada cuando no se esté utilizando.
- No continúe usando la aspiradora cuando el flotador haya cortado la succión.
- Las chispas generadas dentro del motor pueden incendiar los materiales inflamables suspendidos en el aire. No utilice la aspiradora cerca de líquidos inflamables ni en áreas con gases o vapores inflamables o polvo explosivo/suspendido en el aire. Los líquidos inflamables, gases inflamables y los vapores inflamables incluyen: líquido encendedor, limpiadores tipo solvente, pinturas a base de aceite, gasolina, alcohol y rociadores tipo aerosol. Los polvos explosivos incluyen: carbón, magnesio, aluminio, grano de cereal y pólvora.
- No recoja con la aspiradora polvos explosivos, líquidos inflamables ni cenizas calientes.

▲ ADVERTENCIA: Para reducir el riesgo de descargas eléctricas o lesiones:

- No exponga la aspiradora a la lluvia ni deje que entre líquido en el compartimiento del motor. Almacene la aspiradora en un lugar interior.
- No maneje el enchufe, el interruptor o la aspiradora con las manos mojadas.
- Desenchufe la aspiradora antes de hacerle servicio de ajustes y reparaciones. Si la aspiradora no está funcionando como debería, le faltan piezas, se ha caído, está dañada, se ha dejado a la intemperie o se ha caído al agua, devuélvala a un centro de servicio independiente o llame a servicio al cliente.
- Cuando utilice un cordón de extensión, utilice únicamente cordones con capacidad nominal para uso a la intemperie que estén en buenas condiciones. No deje que la conexión entre en contacto con líquido.

Para reducir el riesgo de sacudidas eléctricas, este aparato electrodoméstico tiene un enchufe polarizado (una hoja es más ancha que la otra). Este enchufe entrará en un tomacorriente polarizado solamente de una manera. Si el enchufe no entra por completo en el tomacorriente, déle la vuelta. Si sigue sin entrar, póngase en contacto con un electricista competente para instalar el tomacorriente adecuado. No haga ningún tipo de cambio en el enchufe.



Después de enchufar el cordón de energía en el tomacorriente, encienda la unidad empujando el interruptor de la posición "O" a la posición "I". Los símbolos utilizados en el accionador del interruptor son los símbolos internacionales de "encendido y apagado".

○ = APAGADO | ● = ENCENDIDO

Familiarícese con los accesorios que se incluyen con la aspiradora. Cada accesorio puede usarse de diversas maneras para aspirar y soplar residuos. A continuación hay una lista de los accesorios y de sus usos.

Boquilla de uso general: Boquilla que se usa en la mayoría de las aplicaciones de aspiración.

Funcionamiento (continuación)

Boquilla para mojado: Se utiliza para recoger materiales mojados en superficies lisas con el fin de recoger líquidos y secar la superficie en una sola pasada.

Boquilla de garra: Se utiliza para recoger materiales mojados o secos.

Cepillo para polvo: Recogida en seco de polvo y residuos de suciedad.

Boquilla para auto (no suministrada): Boquilla para recoger materiales secos en interiores de auto y en la mayoría de limpiezas de tapicería.

Tubos extensores: Estos tubos pueden conectarse entre sí y proporcionan longitud adicional para tener más alcance.

Manguera: Proporciona transferencia de capacidad de aspiración o soplado al lugar de trabajo. Proporciona los medios para acoplar los tubos extensores y las boquillas.

Boquilla rinconera: Se utiliza para recoger residuos en lugares difíciles de alcanzar.

⚠ ADVERTENCIA: Para reducir el riesgo de incendio o sacudidas eléctricas, no deje desatendida la aspiradora mientras esté en marcha.

Recogida de materiales secos con la aspiradora

1. El filtro debe estar siempre en la posición correcta para reducir el riesgo de fugas y posibles daños a la aspiradora.
2. La aspiradora para mojado/seco viene con el filtro VF5000 instalado. Al utilizar la aspiradora para recoger polvo muy fino, será necesario que usted vacíe el tambor y limpie el filtro a intervalos más frecuentes para mantener un rendimiento óptimo.

NOTA: Se necesita un filtro seco para recoger material seco. Si utiliza la aspiradora para recoger polvo cuando el filtro está mojado, éste se atascará rápidamente y será muy difícil limpiarlo.

Recogida de líquidos con la aspiradora

1. Al recoger pequeñas cantidades de líquido se podrá dejar puesto el filtro.
2. Al recoger grandes cantidades de líquido recomendamos quitar el filtro. Si no se quita el filtro, éste se saturará y podrá aparecer niebla en el escape.
3. Cuando el líquido que se encuentre en el tambor alcance un nivel predeterminado, el mecanismo del flotador subirá automáticamente para cortar el flujo de aire. Cuando esto suceda, apague la aspiradora, desenchufe el cordón de energía y

vacíe el tambor. Sabrá que el flotador ha subido porque el flujo de aire de la aspiradora cesará y subirá el tono del ruido del motor debido a que se producirá un aumento de la velocidad del mismo.

4. Después de utilizar la aspiradora para recoger líquidos, deje que el filtro se seque para reducir el riesgo de que se forme moho y el filtro se dañe.

IMPORTANTE: Para reducir el riesgo de daños a la aspiradora, no tenga en marcha el motor con el flotador en la posición elevada.

⚠ ADVERTENCIA: No utilice la unidad si se ha retirado el flotador. Éste impide que entre líquido en el impulsor y se dañe el motor.

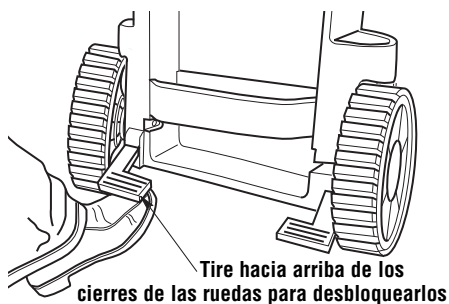
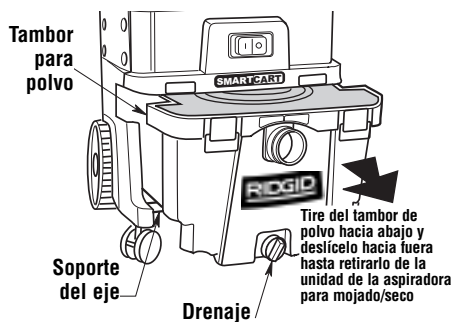
Vaciado del tambor

⚠ ADVERTENCIA: Para reducir el riesgo de lesiones debidas a un arranque accidental, desenchufe el cordón de energía antes de vaciar el tambor.

⚠ ADVERTENCIA: Para reducir el riesgo de que se produzcan lesiones en la espalda o caídas, no levante la aspiradora si pesa demasiado debido a que contiene líquido o residuos. Saque o haga salir una cantidad suficiente del contenido para hacer que la aspiradora sea suficientemente liviana como para poder levantarla cómodamente.

1. La aspiradora viene equipada con un drenaje para vaciarla fácilmente de líquidos. Simplemente desenrosque la tapa del drenaje y levante ligeramente el lado opuesto para vaciar el tambor.
2. Otra opción es retirar el tambor de la aspiradora.
3. Tire del tambor hacia fuera hasta retirarlo de la aspiradora, tirando hacia abajo del tambor y deslizándolo sobre el soporte del eje ubicado debajo del tambor.
4. Vierta el contenido del tambor en el recipiente de eliminación de residuos apropiado.

Funcionamiento (continuación)



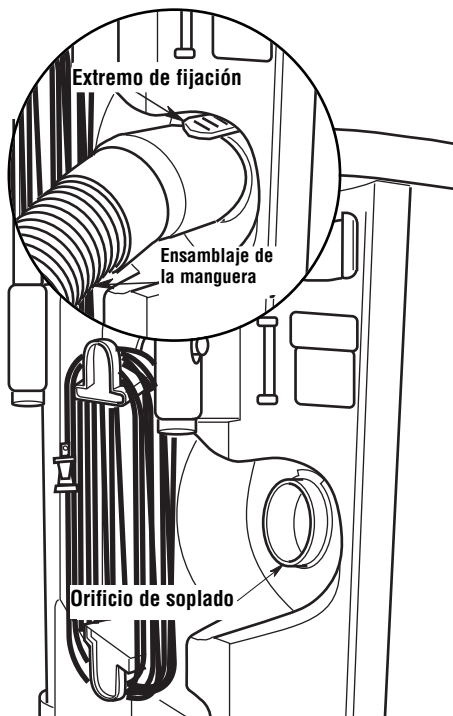
5. Coloque de nuevo el tambor reinsertándolo en la cavidad y empujelo hasta que se acople a presión en su sitio.

Traslado de la aspiradora para mojado/seco

Para maniobrar la aspiradora, el asa metálica ubicada en la parte trasera de la unidad se debe ubicar en posición vertical para facilitar el movimiento. Asegúrese de desbloquear las ruedas traseras tirando hacia arriba de los cierres de las ruedas antes de mover la aspiradora.

Dispositivo de soplado

La aspiradora cuenta con un orificio de soplado. Puede soplar aserrín y otros residuos. Siga los pasos que se indican a continuación para usar la aspiradora como soplador.



⚠ ADVERTENCIA: Use siempre protectores oculares de seguridad que cumplan con la norma ANSI Z87.1 (o en Canadá, con la norma CSA Z94.3) antes de utilizar la aspiradora como soplador.

⚠ ADVERTENCIA: Para reducir el riesgo de lesiones a las personas que estén presentes, manténgalas alejadas de los residuos soplados.

⚠ ADVERTENCIA: Use una máscara antipolvo si el soplado genera polvo que podría ser inhalado.

⚠ PRECAUCIÓN: Para reducir el riesgo de daños a la audición, use protectores de oídos cuando utilice la aspiradora/soplador durante muchas horas seguidas o cuando la utilice en un área ruidosa.

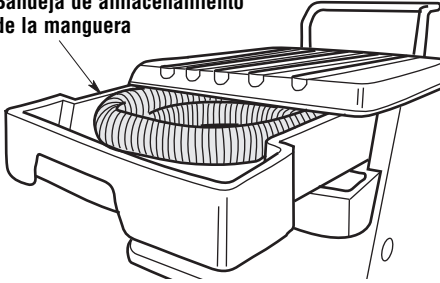
1. Localice el orificio de soplado de la aspiradora.
2. Inserte el extremo de fijación del ensamblaje de la manguera en el orificio de soplado de la aspiradora. La manguera debe acoplarse a presión en su sitio. Para quitar la manguera de la aspiradora, oprima el botón de liberación ubicado en el ensamblaje de la manguera y tire de la manguera hasta sacarla de la entrada de la aspiradora.
3. (Opcional) Instale el mango de extensión en el extremo opuesto de la manguera y luego coloque la boquilla rinconera en el tubo extensor.
4. Encienda la aspiradora y estará lista para utilizarse como soplador.

Almacenamiento

Almacenamiento de la manguera

La manguera se puede almacenar colocándola en la bandeja superior extraíble. Usted también puede abrir la parte superior embisagrada para obtener acceso al área de almacenamiento de la manguera.

Bandeja de almacenamiento de la manguera



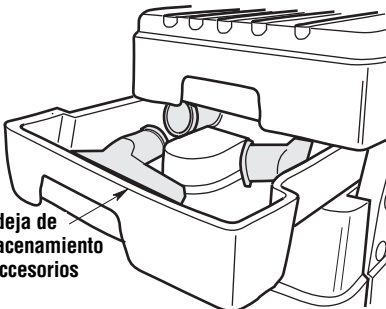
Acceso superior embisagrado al área de almacenamiento de la manguera



Almacenamiento de los accesorios

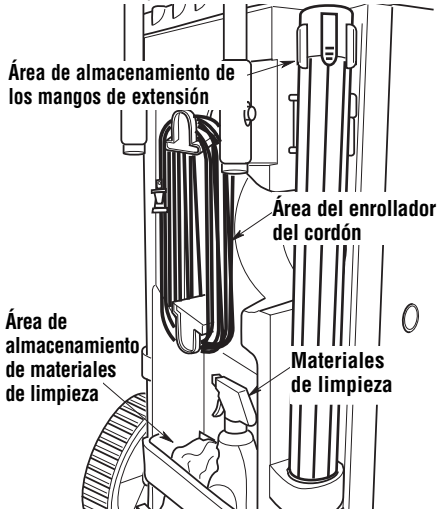
Los accesorios de la aspiradora para mojado/seco se pueden almacenar en la bandeja inferior extraíble. Los materiales de limpieza se pueden almacenar en el área de almacenamiento ubicada en la parte trasera de la unidad, entre las ruedas. Los mangos de extensión se acoplan a presión en su sitio en la parte trasera de la aspiradora, en las áreas de almacenamiento de los mangos de extensión.

Bandeja de almacenamiento de accesorios



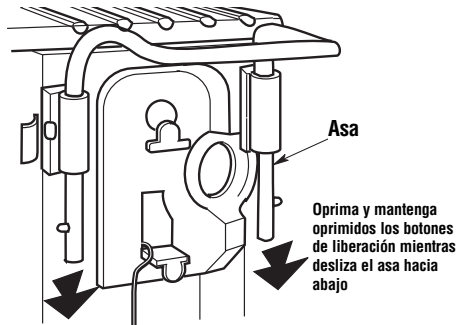
Enrollador del cordón

Cuando se haya completado la limpieza con la aspiradora, desenchufe el cordón y enróllelo alrededor del área del enrollador del cordón que se encuentra en la parte trasera de la unidad.



Almacenamiento del asa

Cuando almacene la aspiradora para mojado/seco, oprima y mantenga oprimidos los botones de liberación mientras desliza firmemente el asa hacia abajo.



Mantenimiento

Filtro

▲ ADVERTENCIA: Para reducir el riesgo de lesiones debidas a un arranque accidental, desenchufe el cordón de energía antes de cambiar o limpiar el filtro.

NOTA: Este filtro está hecho de papel de alta calidad diseñado para detener partículas de polvo muy pequeñas. El filtro se puede usar para recoger material seco o pequeñas cantidades de líquido. Maneje el filtro cuidadosamente al quitarlo para limpiarlo o al instalarlo. Es posible que se produzcan arrugas en los pliegues del filtro, pero dichas arrugas no afectarán el funcionamiento del filtro.

Limpeza del filtro

El filtro se debe limpiar a menudo para mantener un rendimiento óptimo de la aspiradora.

Asegúrese de secar el filtro antes de guardar la aspiradora o de recoger residuos secos.

IMPORTANTE: Después de limpiar el filtro, compruebe si éste tiene desgarraduras o agujeros pequeños. No use un filtro que tenga agujeros o desgarraduras. Incluso un agujero pequeño puede hacer que salga mucho polvo de la aspiradora. Cámbielo inmediatamente.

Remoción del filtro

Consulte la sección de este manual “Remoción e instalación del filtro” en la página 25.

IMPORTANTE: Para evitar daños a la rueda del soplador y al motor, vuelva a instalar siempre el filtro antes de usar la aspiradora para recoger material seco.

Limpeza de un filtro seco

1. Se pueden quitar algunos residuos secos sin quitar el filtro de la aspiradora. Dé una palmada en la parte de arriba de la tapa mientras la aspiradora está apagada.
2. Para lograr una limpieza óptima con el fin de eliminar el polvo acumulado en el filtro, limpie el filtro en un área abierta. La limpieza del filtro DEBE realizarse al aire libre y no en el interior de una vivienda.
3. Después de quitar el filtro de la aspiradora, saque los residuos secos golpeando suavemente el filtro contra la pared interior del tambor para polvo. Los residuos se soltarán y caerán.
4. Para limpieza a fondo del filtro seco con polvo fino (sin residuos), haga pasar agua a través del filtro tal como se describe bajo “Limpeza de un filtro mojado”.

Limpeza de un filtro mojado

Después de quitar el filtro, haga pasar agua a través de él usando una manguera o desde una espita. Tenga cuidado de que la presión del agua procedente de la manguera no sea demasiado fuerte como para dañar el filtro.

Instalación

Consulte la sección de este manual “Remoción e instalación del filtro” en la página 25.

Deje que el filtro se seque antes de volver a instalarlo y de guardar la aspiradora.

Mantenimiento (continuación)

Limpeza y desinfección de la aspiradora para mojado/seco

Para mantener el mejor aspecto posible de la aspiradora para mojado/seco, limpie su exterior con un paño humedecido con agua templada y un jabón suave.

Para limpiar el tambor:

1. Vacíe de residuos el tambor.
2. Lave a fondo el tambor con agua templada y un jabón suave.
3. Limpie el tambor con un paño seco.

Antes de un almacenamiento prolongado o según sea necesario (por ejemplo, si se recogen aguas residuales), se debe desinfectar el tambor.

Para desinfectar el tambor:

1. Eche 1 galón de agua y 1 cucharadita de blanqueador de cloro en el tambor.
2. Deje que la solución repose durante 20 minutos y agítela cuidadosamente cada pocos minutos, asegurándose de mojar todas las superficies interiores del tambor.
3. Vacíe el tambor después de 20 minutos. Enjuáguelo con agua hasta que el olor a blanqueador desaparezca. Deje que el tambor se seque completamente antes de sellar el motor sobre el tambor.

Ruedecillas y ruedas

Si el carro rechina o es difícil de hacer rodar, debe poner dos o tres gotas de aceite de uso general en el eje de cada rueda. Si las ruedecillas hacen ruido, puede poner una gota de aceite en el eje del rodillo para que hagan menos ruido.

Armazón y mangos

El mango metálico está pintado para impedir la formación de herrumbre. Sin embargo, los líquidos y los residuos corrosivos deben limpiarse con un paño suave si entran en contacto con el mango.

⚠ ADVERTENCIA: Para garantizar la **SEGURIDAD y CONFIABILIDAD del producto, las reparaciones y los ajustes deben realizarlos Centros de Servicio autorizados, usando siempre piezas de repuesto RIDGID.**

Piezas de repuesto


Aspiradora para mojado/seco SMARTCART de 11 galones Número de modelo WD70000

Las piezas RIDGID se encuentran disponibles en línea conectándose a www.ridgidparts.com

Pida siempre por número de pieza —no por número de clave

▲ ADVERTENCIA

SERVICIO DE AJUSTES Y REPARACIONES DE UNA ASPIRADORA PARA MOJADO/SECO CON AISLAMIENTO DOBLE

En una aspiradora para mojado/seco con aislamiento doble se proporcionan dos sistemas de aislamiento en vez de conexión a tierra. No se proporciona ningún medio de conexión a tierra en un aparato electrodoméstico con aislamiento doble, ni se debe añadir a éste ningún medio de conexión a tierra. El servicio de ajustes y reparaciones de una aspiradora para mojado/seco con aislamiento doble requiere extremado cuidado y conocimiento del sistema, y debe ser realizado únicamente por personal de servicio competente. Las piezas de repuesto para la aspiradora para mojado/seco con aislamiento doble deben ser idénticas a las piezas que reemplazan. La aspiradora para mojado/seco con aislamiento doble está marcada con las palabras "DOUBLE INSULATED" (con aislamiento doble) y puede que el símbolo  (un cuadrado dentro de un cuadrado) también esté marcado en los aparatos.

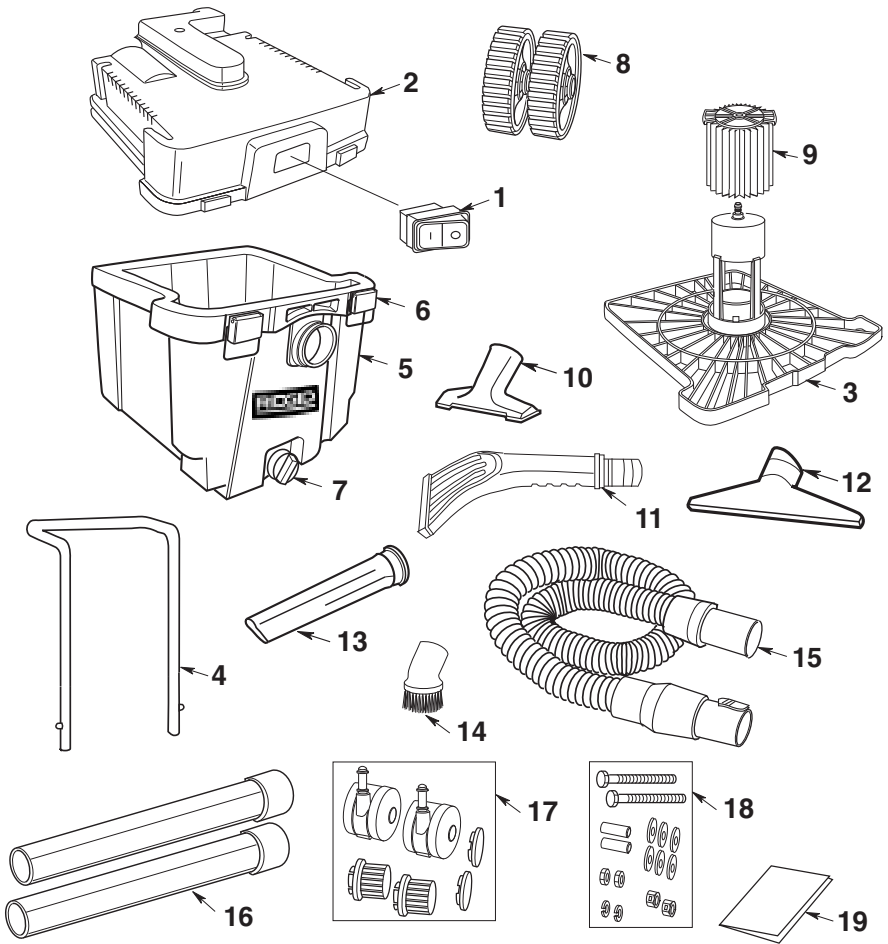
Para reducir el riesgo de lesiones por causa de descargas eléctricas, desenchufe el cordón de energía antes de hacer servicio de ajustes y reparaciones a las piezas eléctricas de la aspiradora para mojado/seco.

No. de clave	No. de pieza	Descripción
1	510013	Ensamblaje del accionador
2	832328	Ensamblaje del cabezal del motor
3	832119	Ensamblaje del soporte del filtro
4	832120	Ensamblaje del asa
5	832113	Ensamblaje del tambor para polvo
6	832116	Pestillo de tambor
7	73185	Tapa del drenaje
8	830598	Rueda de 8 pulgadas
9	VF5000	† Filtro para polvo fino Qwik Lock™
10	VT1789	† Boquilla utilitaria
11	VT2540	† Boquilla de garra
12	VT1710	† Boquilla para mojado
13	829792	† Boquilla rinconera
14	VT1701	† Cepillo para polvo
15	831337-8	† Ensamblaje de manguera
16	VT1708	† Asa de extensión
17	509950	Ensamblaje de bolsa (ruedecillas)
18	509949	Ensamblaje de bolsa (herrajes para la rueda de 8 pulgadas)
19	SP6659	Manual del operador

† Estas piezas de repuesto pueden estar disponibles en el establecimiento donde usted compró la aspiradora.

Piezas de repuesto (continuación)

Las piezas RIDGID se encuentran disponibles en línea conectándose a www.ridgidparts.com





- **Qué está cubierto**

Se garantiza que las aspiradoras para mojado/seco RIDGID® están libres de defectos de fabricación y de materiales.

- **Cuánto dura la cobertura**

Esta garantía dura toda la vida de la herramienta RIDGID®. La cobertura de garantía termina cuando el producto se vuelva inutilizable por motivos que no sean defectos de fabricación o de materiales.

- **Cómo puede obtener servicio**

Para obtener el beneficio de esta garantía, sírvase llamar al 1-800-4-RIDGID (1-800-474-3443).

- **Qué haremos para corregir los problemas**

Las aspiradoras para mojado/seco garantizadas serán reparadas o reemplazadas, a opción de Ridge Tool Company, y serán devueltas sin cargo; o si después de tres intentos de reparar o reemplazar la aspiradora para mojado/seco durante el período de garantía ésta aún presenta defectos, usted puede optar por recibir un reembolso completo de su precio de compra.

- **Qué no está cubierto**

Las averías debidas a uso incorrecto, abuso o desgaste por el uso normal no están cubiertas por esta garantía. **RIDGE TOOL NO SERÁ RESPONSABLE DE NINGUN DAÑO INCIDENTAL NI EMERGENTE.**

- **Cómo se relaciona la ley local con la garantía**

Algunos estados no permiten la exclusión o limitación de los daños incidentales o emergentes, por lo que es posible que la limitación o exclusión que antecede no tenga aplicación en su caso. Esta garantía le confiere a usted derechos específicos y es posible que también tenga otros derechos, que varían de un estado a otro, una provincia a otra o un país a otro.

- **Ninguna otra garantía expresa tiene aplicación**

Esta GARANTÍA COMPLETA DE POR VIDA es la garantía única y exclusiva de las aspiradoras para mojado/seco RIDGID®. Ningún empleado, agente, distribuidor u otra persona está autorizado a alterar esta garantía ni a dar ninguna otra garantía en nombre de Ridge Tool Company.

No. de existencias WD7000

No. de modelo WD70000

Número de serie _____

Los números de modelo y de serie se pueden encontrar en el panel trasero. Debe anotar tanto el número de modelo como el de serie en un lugar seguro para uso futuro.

**¿PREGUNTAS O COMENTARIOS? LLAME AL
1-800-4-RIDGID (1-800-474-3443)**

www.ridgidvac.com

Por favor, tenga a mano su número de modelo y número de serie cuando llame.



EMERSON™

Commercial & Residential Solutions

© 2012 Emerson

No. de pieza SP6659

No. de formulario SP6659-4

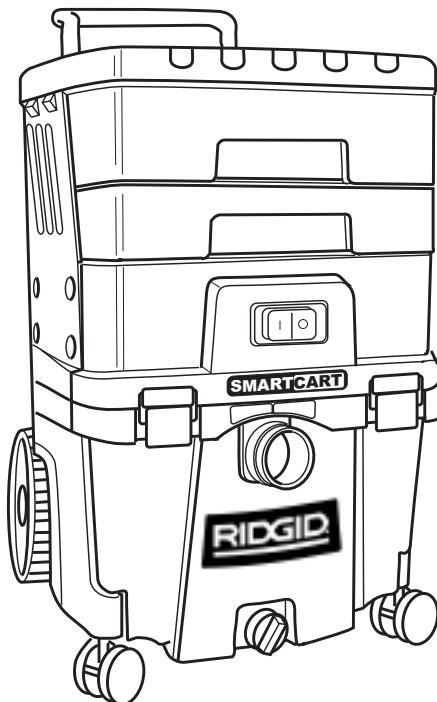
Impreso en México 06/12

RIDGID®

MANUEL DE L'OPÉRATEUR

ASPIRATEUR DE LIQUIDES ET DE POUSSIÈRES SMARTCART DE 11 GALLONS DES ÉTATS-UNIS / 41 LITRES

WD7000



EN CAS DE QUESTIONS OU POUR OBTENIR DES INFORMATIONS,
VEUILLEZ NOUS CONTACTER AU :

1-800-4-RIDGID (1-800-474-3443) OU

www.ridgidvac.com

▲ AVERTISSEMENT :

Pour réduire le risque de blessure, l'utilisateur doit lire et comprendre le mode d'emploi avant d'utiliser ce produit.

Merci d'avoir acheté un produit RIDGID.

CONSERVER CE MANUEL POUR RÉFÉRENCE FUTURE

Table des matières

Sujet	Page	Sujet	Page
Instructions importantes relatives à la sécurité	2	Transport de l'aspirateur de liquides et de poussières	12
Introduction	4	Fonction de soufflante	12
Déballage et vérification du contenu du carton	5	Rangement	13
Retrait/installation/rangement de la poignée en métal	6	Rangement du flexible	13
Retrait et installation du filtre	7	Rangement des accessoires	13
Assemblage de l'aspirateur de liquides et de poussières	8	Enroulement du cordon	13
Ensemble de tambour à poussière	8	Rangement de la poignée	13
Insertion du tuyau	8	Entretien	14
Ensemble de roue	9	Filtre	14
Fonctionnement	10	Nettoyage et désinfection de l'aspirateur de liquides et de poussières	15
Aspiration de matériaux secs	11	Roulettes et roues	15
Aspiration de liquides	11	Cadre et poignées	15
Vidage du tambour	11	Pièces de rechange	16
		Garantie	18

INSTRUCTIONS IMPORTANTES RELATIVES À LA SÉCURITÉ

La sécurité est une combinaison de faire preuve de bon sens, rester vigilant et savoir comment votre aspirateur de liquides et de poussières (l'« aspirateur ») fonctionne.

Termes de signalisation de questions de sécurité

⚠ DANGER : indique une situation dangereuse qui, si elle n'est pas évitée, causera la mort ou une blessure grave.

⚠ AVERTISSEMENT : indique une situation dangereuse qui, si elle n'est pas évitée, risque de causer la mort ou une blessure grave.

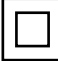
⚠ MISE EN GARDE : indique une situation dangereuse qui, si elle n'est pas évitée, pourrait causer une blessure légère ou modérée.

Prenez toujours des précautions élémentaires, notamment les précautions suivantes, lorsque vous utilisez votre aspirateur de liquides et de poussières :

⚠ AVERTISSEMENT

– Pour réduire le risque d'incendie, de choc électrique ou de blessure :

- Lisez et comprenez ce manuel et toutes les étiquettes placées sur l'aspirateur avant de mettre celui-ci en marche.
- N'utilisez l'aspirateur que comme cela est décrit dans ce mode d'emploi.
- Ne laissez pas en marche pendant que vous êtes absent – vous vous risqueriez de manquer des signes importants indiquant un fonctionnement anormal, comme une perte de puissance d'aspiration, la sortie de débris ou de liquides par la bouche de soufflage d'air ou des bruits anormaux en provenance du moteur. Cessez immédiatement d'utiliser l'aspirateur si vous constatez de tels signes.
- Ne laissez pas l'aspirateur sans surveillance quand il est branché dans une prise de courant. Débranchez-le de la prise quand il n'est pas utilisé et avant toute opération de maintenance.
- Des étincelles à l'intérieur du moteur risquent de mettre feu à des vapeurs ou poussières inflammables. Pour réduire le risque d'incendie ou d'explosion : n'utilisez pas à proximité de gaz ou de liquides inflammables ou combustibles, ou de poussières explosives, comme de l'essence automobile ou d'autres fiouls, de l'essence à briquet, des produits de nettoyage, de la peinture à l'huile, du gaz naturel, de l'hydrogène, de la poussière de charbon, de la poussière de magnésium, de la poussière d'aluminium, de la poussière de céréales et de la poudre.
- N'aspirez jamais de matières en train de brûler ou des matières fumigènes, telles que des cigarettes, des allumettes ou des cendres chaudes.
- N'aspirez jamais de poussières de plaques de plâtre, de suie ou de cendres de cheminée froides lorsqu'un filtre pour aspirateur de liquides et de poussières standard. Il s'agit de poussières très fines qui risqueraient d'être projetées à nouveau dans l'air ambiant. Utilisez un filtre à poussières fines à la place.
- Pour réduire le risque d'inhalation de vapeurs toxiques, n'aspirez pas de matériaux toxiques ou dangereux, et n'utilisez pas à proximité de tels matériaux.
- Pour réduire le risque de choc électrique, n'exposez pas à la pluie et empêchez l'entrée de liquides dans le compartiment du moteur. Rangez à l'intérieur.
- Ne laissez pas les enfants se servir de l'aspirateur comme d'un jouet. Il faut surveiller de très près quand il est utilisé par des enfants ou à proximité d'enfants.
- Éteignez l'aspirateur avant de le débrancher.
- N'utilisez pas avec un filtre déchiré ou sans avoir installé de filtre, sauf quand vous aspirez des liquides, comme cela est décrit dans ce mode d'emploi. Des débris secs capturés par la roue risquent d'endommager le moteur ou d'être expulsés à nouveau dans l'air ambiant.

- Pour réduire le risque de blessure pouvant être causée par une mise en marche accidentelle, débranchez le cordon d'alimentation avant de changer le filtre ou de le nettoyer.
 - Ne débranchez pas en tirant sur le cordon. Pour débrancher, saisissez la fiche – pas le cordon.
 - N'utilisez pas l'aspirateur avec une fiche, un cordon ou un autre composant endommagé. Si votre aspirateur ne fonctionne pas comme il faut, s'il manque des pièces, s'il quelqu'un l'a laissé tomber, s'il est endommagé, s'il a été laissé à l'extérieur ou s'il est tombé dans de l'eau, téléphonez au service d'assistance à la clientèle.
 - Ne tirez pas l'aspirateur et ne le portez pas par son cordon, n'utilisez pas le cordon pour servir de poignée, ne fermez pas une porte sur le cordon et ne laissez pas le cordon tendu passer sur des bords ou des coins tranchants. Ne traînez pas l'aspirateur sur son cordon. Maintenez le cordon à distance des surfaces chauffées.
 - Ne touchez pas la fiche, l'interrupteur ou l'aspirateur avec des mains mouillées.
 - Utilisez seulement des cordons de rallonge qui sont conçus pour emploi à l'extérieur. Les cordons de rallonge en mauvais état ou trop petits en termes de calibre des fils peuvent poser des risques d'incendie et de choc électrique. Pour réduire le risque de tels dangers, inspectez les cordons pour vous assurer qu'ils sont en bon état et que le liquide n'entre pas en contact avec le raccordement. N'utilisez pas de cordons de rallonge dont les conducteurs ont un calibre inférieur à 16 AWG. Pour réduire la perte d'énergie, utilisez un cordon de rallonge de calibre 14 s'il mesure entre 7,5 et 15 mètres de long, ou de calibre 12 s'il mesure 15 mètres de long ou plus.
 - Cet aspirateur de liquides et de poussières a une double isolation, ce qui élimine le besoin d'un système de mise à la terre séparé. Utilisez seulement des pièces de rechange identiques. Lisez les instructions concernant l'entretien des aspirateurs de liquides et de poussières doublement isolés.
 - Ne mettez aucun objet dans les orifices de ventilation. N'aspirez pas quand de quelconques orifices de ventilation sont obstrués ; assurez-vous que ces orifices ne sont pas bloqués par de la poussière, de la peluche, des cheveux ou de quelconques objets pouvant réduire la circulation de l'air.
 - Gardez les cheveux, les vêtements flottants, les doigts et toutes les parties du corps à distance des orifices et des pièces mobiles.
 - Pour réduire le risque de chute, faites très attention lorsque vous utilisez l'aspirateur dans des escaliers.
 - Pour réduire le risque de vous faire mal au dos ou de tomber, ne soulevez pas un aspirateur qui est lourd en raison de la présence de liquides ou de débris aspirés. Videz partiellement l'aspirateur en écopant ou en purgeant de façon à l'alléger pour pouvoir le soulever plus facilement.
 - Pour réduire le risque de blessure ou le risque d'endommagement de l'aspirateur, n'utilisez que des accessoires recommandés par Ridgid.
 - En cas d'utilisation de l'aspirateur comme soufflante :
 - Ne dirigez la décharge d'air que vers la zone de travail.
 - Ne dirigez pas l'air vers des personnes présentes à proximité.
 - Gardez les enfants à distance lors du fonctionnement de la soufflante.
 - N'utilisez la soufflante que pour souffler des saletés et des débris.
 - N'utilisez pas en guise de pulvérisateur.
 - Portez des lunettes de sécurité.
 - Pour réduire le risque d'être frappé ou entraîné par un aspirateur en train de rouler, bloquez les roulettes lorsque vous utilisez l'aspirateur sur une surface inégale ou inclinée.
 - Pour réduire le risque de blessure pour les yeux, portez des lunettes de sécurité. L'utilisation de tout soufflante ou de tout aspirateur utilitaire peut toujours causer la projection de corps étrangers dans les yeux, ce qui risque d'entraîner des blessures graves aux yeux.
-
- ▲ MISE EN GARDE :**
- Pour réduire le risque de perte auditive, portez des protecteurs d'oreilles lorsque vous vous servez de l'aspirateur pendant plusieurs heures ou quand vous l'utilisez dans un endroit bruyant.
 - Portez un masque antipoussières en cas d'utilisation dans un environnement poussiéreux.
 - Les décharges statiques sont fréquentes dans les endroits secs ou lorsque l'humidité relative de l'air ambiant est faible. L'aspiration de débris fins avec votre aspirateur peut déposer une charge statique sur le tuyau ou sur l'aspirateur. La meilleure chose à faire pour réduire la fréquence des décharges statiques chez vous ou lorsque vous utilisez cet aspirateur consiste à ajouter de l'humidité dans l'air avec un humidificateur.
-
- Observez les avertissements suivants qui figurent sur le carter du moteur de votre aspirateur :
- 

DOUBLEMENT ISOLÉ.
MISE À LA TERRE NON NÉCESSAIRE.
POUR L'ENTRETIEN, N'UTILISEZ QUE DES PIÈCES DE REMPLACEMENT IDENTIQUES.
- ▲ AVERTISSEMENT: pour votre propre sécurité, lisez et comprenez le manuel de l'opérateur. Ne laissez jamais l'aspirateur en marche sans surveillance. Ne ramassez pas de cendres chaudes, de charbon ou de matières toxiques, inflammables ou dangereuses. N'utilisez pas à proximité de vapeurs ou de liquides explosifs.**
- ▲ AVERTISSEMENT: pour réduire le risque de choc électrique – n'exposez pas à la pluie – rangez à l'intérieur.**

⚠ AVERTISSEMENT: pour réduire les risques d'incendie ou d'autres dommages, n'utilisez pas de compartiments de rangement sur l'aspirateur même pour y ranger des chiffons imbibés d'huile ou de boîtes contenant des matériaux inflammables, corrosifs ou toxiques.

⚠ AVERTISSEMENT: limite de poids de 22,5 kg. Ne pas monter ou s'asseoir sur l'aspirateur. Une utilisation incorrecte risque de causer des blessures.

⚠ AVERTISSEMENT: pour réduire le risque d'incendie ou de choc électrique, ne laissez pas l'aspirateur branché quand il n'est pas utilisé. Ne laissez pas l'aspirateur en marche sans surveillance.

⚠ AVERTISSEMENT: pour réduire le risque de choc électrique, installer toujours le flotteur avant toute utilisation de l'aspirateur pour ramasser des déchets humides.

CONSERVER CE MANUEL

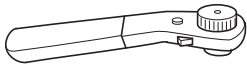
Introduction

Cet aspirateur de liquides et de poussières SMARTCART est conçu pour un emploi résidentiel. Il peut être utilisé pour aspirer des matières humides ou sèches, et il peut être utilisé comme soufflante.

Lisez ce manuel de l'opérateur pour vous familiariser avec les fonctions du produit et pour comprendre les particularités d'utilisation de votre nouvel aspirateur.

Déballage et contrôle du contenu du carton

Outils nécessaires



Douille et clé à cliquet de 9/16 po

Clé de 9/16 po

Maillet

Se référer au croquis d'assemblage pour le positionnement des pièces.

Retirez tous les éléments se trouvant dans la boîte en carton. Inspectez chaque élément en le comparant à la liste incluse dans la boîte en carton. Téléphonez au 1-800-4-RIDGID (1-800-474-3443) ou contactez-nous au info@ridgid.com si de quelconques éléments sont absents ou endommagés.

Liste du contenu de la boîte en carton

Légende	Description	Qté
A	Ensemble d'aspirateur de liquides et de poussières.....	1
B*	Filtere à poussières fines Qwik Lock™.....	1
C*	Ensemble de support de filtre.....	1
D	Ensemble de tuyau.....	1
E	Suceur à usages multiples.....	1
F	Suceur humide.....	1
G	Suceur plat.....	1
H	Suceur à griffes.....	1
J	Brosse à épousseter.....	1
K	Rallonge de poignée.....	2
L	Roue de 8 po.....	2
M	Poignée en métal.....	1
N	Manuel de l'opérateur.....	1

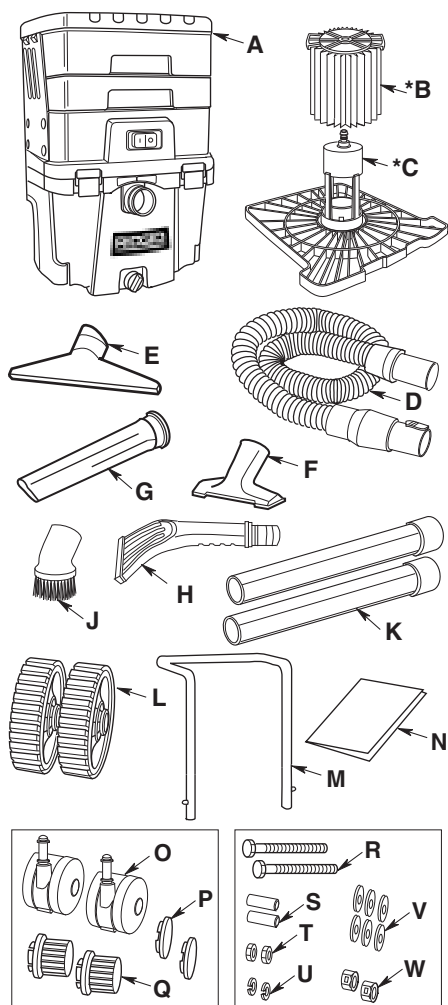
Sachet de pièces détachées « A » :

O	Roulette de 3 po.....	2
P	Adaptateur pour moyeu.....	2
Q	Chapeau de roue.....	2

Sachet de pièces détachées « B » :

R	Boulon de 3/8 po x 4 po.....	2
S	Entretoise de 3/8 po x 1 1/2 po.....	2
T	Écrou de blocage.....	2
U	Rondelle de blocage.....	2
V	Rondelle plate.....	6
W	Contre-écrou.....	2

* Ces composants peuvent avoir été assemblés à l'usine. S'ils ne sont pas présents dans le carton, regardez à l'intérieur du tambour pour voir s'ils ont été assemblés à l'usine.



Retrait/installation/rangement de la poignée en métal

Votre poignée en métal est placée à l'intérieur du tambour pour l'expédition. Vous devez retirer la poignée en métal du tambour à poussière et installer la poignée dans le sens correct, la partie recourbée étant orientée dans le sens opposé à l'arrière de l'aspirateur, avant de continuer. (Retirez également la roue de 8 po (20 cm) et mettez-la de côté en vue de l'installation.)

Mise en place de la poignée

Appuyez sur les boutons de déclenchement, et maintenez-les enfoncés, pendant que vous placez la poignée dans les logements de la poignée situés sur le tambour (veuillez vous reporter à l'illustration).

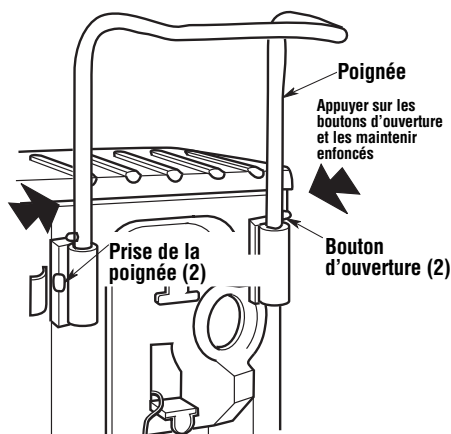
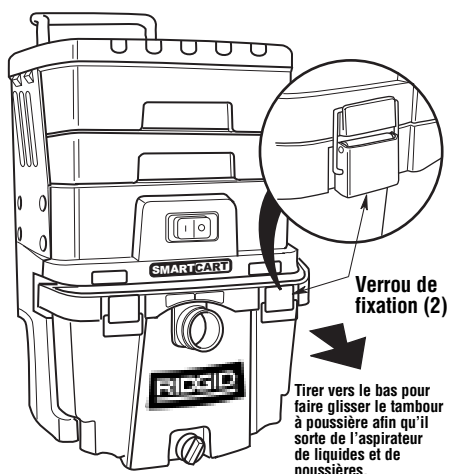
REMARQUE : Lorsque vous entendrez un bruit sec provenant des boutons de déclenchement, cela indiquera que la poignée a été correctement engagée.

Abaissement de la poignée en vue du rangement

Pour ranger l'aspirateur de liquides et de poussières, appuyez sur les boutons de libération et maintenez-les enfoncés tout en faisant glisser fermement la poignée vers le bas.

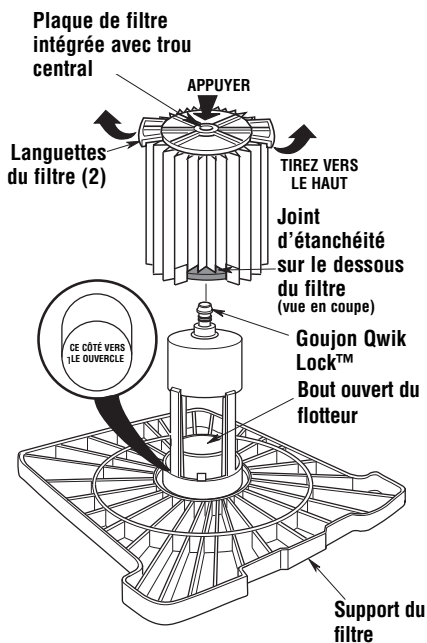
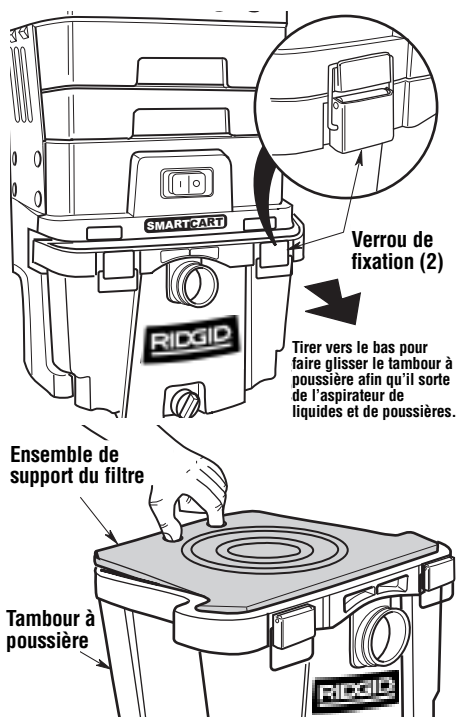
Retrait de la poignée

Appuyez sur les boutons de déclenchement, et maintenez-les enfoncés, tel que cela est illustré. Tout en appuyant fermement sur les boutons de déclenchement, tirez la poignée vers le haut afin de la retirer (veuillez vous reporter à l'illustration).



Retrait et installation du filtre

REMARQUE : déverrouillez et retirez le tambour à poussière pour accéder au filtre. L'ensemble de support de filtre peut être retiré en saisissant le support du filtre de la façon montrée sur les illustrations ci-dessous.



3. Cette action aura pour effet que le filtre sera relâché de la cage du filtre. Faites glisser le filtre pour le sortir de la cage.

Installation du filtre :

1. Faites glisser délicatement le filtre Qwik Lock™ par-dessus la cage du filtre et appuyez sur le bord extérieur du filtre jusqu'à ce que le joint d'étanchéité en caoutchouc sur le dessous du filtre soit solidement installé autour de la base de la cage du filtre et contre le couvercle.
2. Alignez le petit trou central sur le dessus du filtre au-dessus du goujon Qwik Lock™ sur la cage du filtre. Appuyez fermement sur le dessus du filtre, à proximité du goujon, pour permettre au filtre de s'emboîter sur l'embout sphérique du goujon. Le filtre est maintenant installé.

REMARQUE : si vous n'installez pas correctement le joint d'étanchéité du dessous, il est possible que des débris passent à côté du filtre.

⚠ AVERTISSEMENT : pour votre propre sécurité, ne branchez jamais la fiche dans une prise de courant avant que toutes les étapes d'assemblage ne soient terminées et que vous ayez lu et compris les instructions relatives à la sécurité et au fonctionnement de l'appareil. Ne faites pas fonctionner l'aspirateur si des pièces sont endommagées ou absentes.

Retrait et installation du filtre Qwik Lock™

Retrait du filtre :

1. Saisissez les deux languettes du filtre Qwik Lock™, une dans chaque main.
2. Placez un pouce sur le goujon Qwik Lock™, qui dépasse de la plaque de filtre intégrée, tirez sur les languettes du filtre et appuyez en même temps sur le goujon.

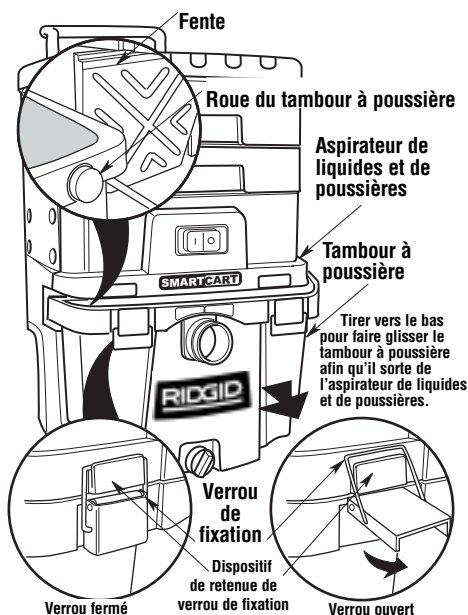
Assemblage de l'aspirateur de liquides et de poussières

Assemblage du tambour à poussière

1. Faites glisser le tambour à poussière vers l'avant de l'aspirateur de liquides et de poussières après avoir terminé l'assemblage du filtre. Positionnez les roues du tambour à poussière dans les fentes prévues à cet effet et faites-les glisser à leur place.

REMARQUE : lors de la réinstallation du tambour à poussière et de l'ensemble de support du filtre, assurez-vous que le devant du tambour à poussière est bien au ras de l'ensemble de couvercle et de cache du moteur. Le tambour à poussière doit tenir solidement en place. Il y a deux broches dans l'aspirateur de liquides et de poussières qui doivent tenir dans les fentes du tambour. Elles servent à assurer l'alignement correct du tambour. Le tambour à poussière doit être installé correctement pour assurer que l'aspirateur de liquides et de poussières fonctionne correctement.

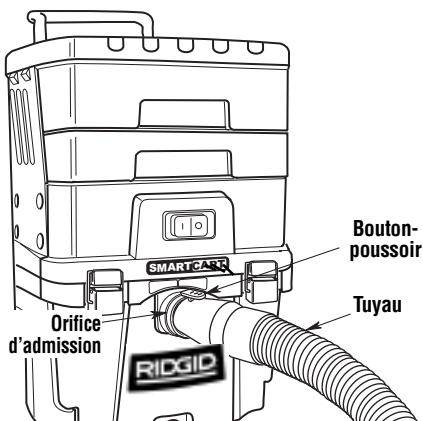
2. Tirez sur les deux verrous de fixation à l'avant du tambour à poussière pour les faire passer au-dessus des dispositifs de retenue des verrous, et appuyez fermement dessus jusqu'à ce que vous entendiez un déclic indiquant qu'ils sont bien fermés. Si les broches de l'ensemble de couvercle et de cache du moteur ne sont pas alignées, les verrous ne se fermeront pas.



⚠ AVERTISSEMENT : pour éviter la pénétration de débris ou d'eau dans la roue et d'endommager ainsi l'aspirateur, ne jamais utiliser jamais ce dernier sans avoir installé l'ensemble de support du filtre à sa place.

Insertion du tuyau

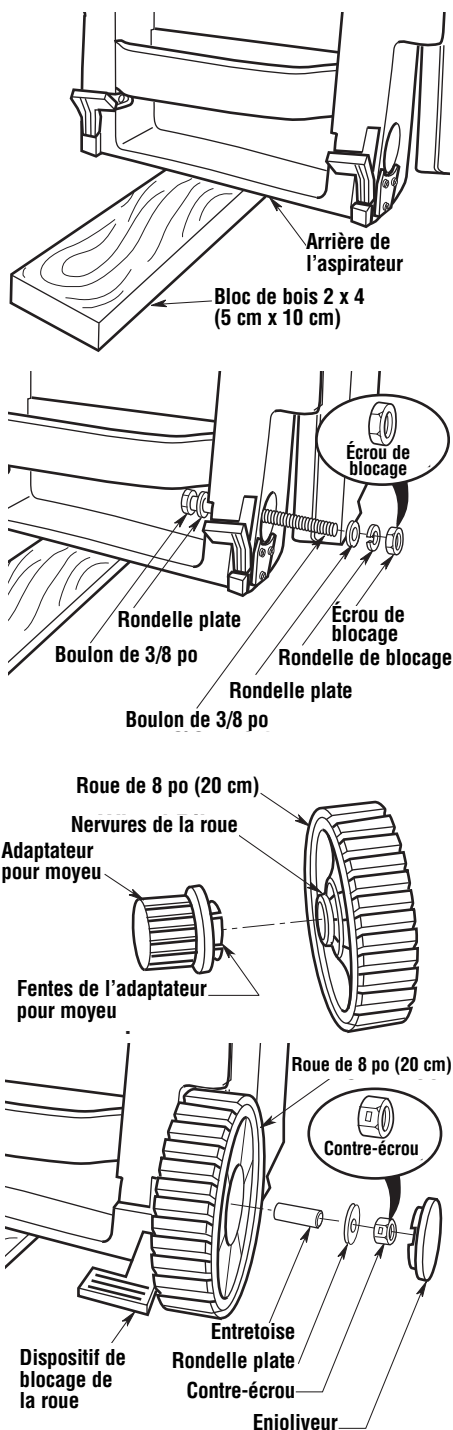
Insérez le bout du flexible qui comporte le bouton-poussoir dans l'orifice d'admission de l'aspirateur. Le tuyau devrait se mettre en place avec un bruit sec. Pour retirer le tuyau de l'aspirateur, appuyez sur le bouton de déclenchement sur le tuyau et tirez sur le tuyau jusqu'à ce qu'il sorte de l'orifice d'aspiration de l'appareil, tel que cela est illustré.



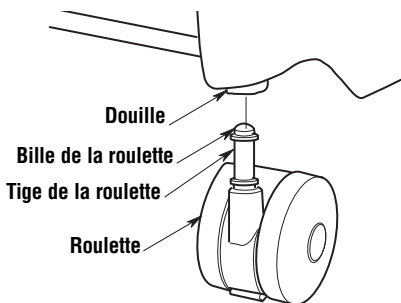
Assemblage des roues

Contactez le service d'assistance à la clientèle si des pièces sont manquantes ou endommagées. Ne tentez pas d'assembler l'appareil avant d'avoir vérifié que vous disposez de toutes les pièces nécessaires.

1. Tirez sur le tambour à poussière pour le faire sortir de l'aspirateur de liquides et de poussières. Localisez les deux roues de 8 po (20 cm) de diamètre et les deux sacs.
2. Placez un bloc de bois 2 x 4 (5 cm x 10 cm) d'environ 30 cm de long au-dessous de l'arrière de l'aspirateur.
3. Placez une rondelle plate autour du boulon de 3/8 po et installez dans le trou du panneau arrière. Poussez le boulon à fond à travers le moyeu.
4. Placez une rondelle plate et une rondelle de blocage autour du boulon.
5. Vissez un écrou de blocage et serrez avec une clé de 9/16 po. Vous devrez tenir la tête du boulon avec la douille de 9/16 po pour pouvoir serrer à fond l'écrou de blocage.
6. Insérez l'adaptateur pour moyeu sur la roue de 8 po. Assurez-vous que les nervures de la rue tiennent solidement dans les fentes de l'adaptateur de la roue. Placez l'adaptateur et la roue autour du boulon.
7. Insérez une entretoise autour du boulon et poussez-la à travers l'ouverture de la roue.
8. Installez une rondelle plate et un écrou de blocage. Serrez l'écrou de blocage à fond.
9. En vous servant d'un maillet en caoutchouc, tapotez doucement les enjoliveurs sur chaque roue. Ceci doit être fait du côté gauche comme du côté droit.
10. Verrouillez les roues arrière en place en montant sur les verrous de fixation des roues pour les asseoir en place. Inclinez l'aspirateur vers l'arrière pour exposer la partie de l'appareil où se trouvent les roues à l'avant.



11. Poussez la roulette jusqu'à ce que la bille de la tige de la roulette soit insérée complètement dans la douille. Vous entendrez un dé clic lorsque la bille entrera dans la douille, et la roulette pivotera facilement lorsqu'elle sera positionnée correctement.



Fonctionnement

⚠ AVERTISSEMENT : pour réduire le risque d'incendie, d'explosion ou d'endommagement de l'aspirateur :

- Ne laissez pas en marche pendant que vous êtes absent – vous vous risqueriez de manquer des signes importants indiquant un fonctionnement anormal, comme une perte de puissance d'aspiration, la sortie de débris ou de liquides par la bouche de soufflage d'air ou des bruits anormaux en provenance du moteur. Cessez immédiatement d'utiliser l'aspirateur si vous constatez de tels signes.
- Ne laissez pas l'aspirateur branché lorsque vous ne l'utilisez pas.
- Ne continuez pas à utiliser l'aspirateur lorsque le flotteur a coupé l'aspiration.
- Les étincelles à l'intérieur du moteur risqueraient de mettre feu à des matières inflammables en suspension dans l'air. Ne pas utiliser l'aspirateur à proximité de liquides inflammables ou à des endroits où il y a des gaz ou des vapeurs inflammables, ou de la poussière explosive/dans l'air. Les liquides, gaz et vapeurs inflammables comprennent : essence à briquet, produits de nettoyage du type solvant, peinture à base d'huile, essence, alcool et aérosols. Types de poussières explosives : charbon, magnésium, aluminium, céréales et poudre noire.
- N'aspirez pas de poussières explosives, de liquides inflammables ou de cendres chaudes.

⚠ AVERTISSEMENT : pour réduire le risque de choc électrique ou de blessure :

- N'exposez pas à la pluie, et ne laissez pas de liquides pénétrer dans le compartiment du moteur. Rangez à l'intérieur.
- Ne touchez pas la fiche de branchement, l'interrupteur ou l'aspirateur si vous avez les mains mouillées.
- Débrancher l'aspirateur avant d'effectuer une quelconque opération de maintenance. Si votre aspirateur ne fonctionne pas comme il devrait, si des pièces sont manquantes, si vous l'avez laissé tomber, s'il est endommagé, s'il a été laissé à l'extérieur ou s'il a été immergé dans de l'eau, rappelez-le dans un centre de réparation indépendant ou téléphonez au service d'assistance à la clientèle.
- Lorsque vous utilisez un cordon de rallonge, n'utilisez qu'un cordon prévu pour emploi à l'extérieur et en bon état. Ne laissez pas la connexion entrer en contact avec des liquides.

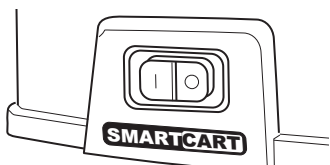
Pour réduire le risque de choc électrique, cet appareil est muni d'une fiche polarisée (une lame est plus large que l'autre). La fiche n'entrera dans une prise polarisée que d'une seule manière. Inverser la fiche si elle n'entre pas complètement dans la prise. Si elle n'entre toujours pas, prendre contact avec un électricien qualifié pour installer une prise de courant appropriée. Ne pas altérer la fiche de quelque manière que ce soit.

Après avoir branché le cordon d'alimentation dans la prise de courant, mettez l'appareil sous tension en appuyant sur l'interrupteur pour le faire passer de la position « 0 » à la position « I ». Les deux symboles internationaux qui figurent sur l'interrupteur indiquent, respectivement, la position de marche et la position d'arrêt de votre aspirateur.

○ = ARRÊT | = MARCHÉ

Il faut bien se familiariser avec les accessoires qui ont été inclus avec cet aspirateur. Chaque accessoire peut être utilisé de façons multiples pour l'aspiration ou le soufflage de débris. Voici une liste des accessoires et des divers moyens de les utiliser :

Suceur à usages multiples – Suceur d'utilité générale servant à la plupart des applications de nettoyage avec un aspirateur.



Suceur humide – Utilisé pour aspirer des liquides répandus sur une surface lisse et sécher cette surface en une seule action.

Suceur à griffes – Utilisé pour le ramassage de débris secs ou humides.

Brosse à épousseter – Ramassage à sec de débris divers (saletés et poussières).

Suceur pour véhicules (non fourni) – Suceur pour aspirer les matériaux secs lors du nettoyage des intérieurs et de la plupart des garnitures de véhicules.

Baguettes de rallonge – Ces baguettes peuvent être connectées ensemble et fournir une longueur supplémentaire pour atteindre des endroits plus éloignés.

Tuyau – Permet de transférer la capacité d'aspirer ou de souffler sur le site de travail. Fournit le moyen de connecter des baguettes de rallonge et des suceurs.

Suceur plat – Utilisé pour aspirer des débris dans des endroits difficiles à atteindre.

⚠ AVERTISSEMENT : afin de réduire le risque d'incendie ou de choc électrique, ne vous éloignez pas de l'aspirateur lorsqu'il est en marche.

Aspiration de matériaux secs

1. Le filtre doit toujours être dans la position correcte afin de réduire le risque de fuites et d'endommagement de l'aspirateur.
2. Votre aspirateur de liquides et de poussières est fourni avec un filtre VF5000 installé. Lors de l'utilisation de l'aspirateur pour ramasser des poussières très fines, il sera nécessaire de vider le tambour et de nettoyer le filtre à intervalles plus fréquents afin de continuer à bénéficier de la performance maximale de l'aspirateur.

REMARQUE : un filtre sec est nécessaire pour ramasser des matériaux secs. Si l'aspirateur est employé pour ramasser de la poussière alors que le filtre est humide, le filtre se bouchera très vite et il sera ensuite très difficile à nettoyer.

Aspiration de liquides

1. Lors de l'aspiration de faibles volumes de liquide, le filtre peut être laissé à sa place.
2. Lors de l'aspiration de grands volumes de liquide, nous recommandons de retirer le filtre. Sinon, il se saturera et on verra peut-être apparaître alors un peu de brume sur l'orifice d'échappement.
3. Lorsque le liquide aspiré atteint un niveau prédéterminé dans le tambour, le flotteur s'élèvera automatiquement afin de couper la circulation de l'air. Lorsque ceci se produit, fermer l'aspirateur, débrancher le cordon électrique et vider le tambour.

L'élévation du niveau du flotteur se remarque parce qu'elle correspond à l'arrêt de la circulation de l'air à l'intérieur de l'aspirateur et parce que le bruit du moteur devient alors plus aigu en raison de l'accélération de sa vitesse.

4. Après avoir utilisé l'aspirateur pour ramasser des liquides, laissez le filtre sécher pour réduire le risque de formation de rouille et d'endommagement du filtre.

IMPORTANT : pour réduire le risque d'endommager l'aspirateur, il ne faut pas faire fonctionner le moteur pendant que le flotteur est en position élevée.

⚠ AVERTISSEMENT : ne faites pas fonctionner sans la cage du filtre et le flotteur étant donné qu'ils empêchent l'entrée de liquide dans la roue et protègent ainsi le moteur contre les dommages pouvant en résulter.

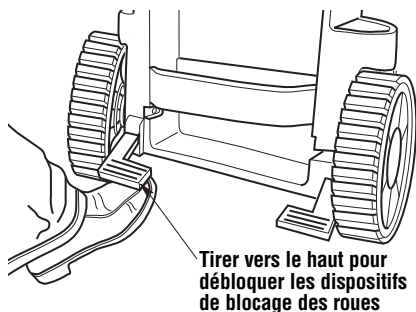
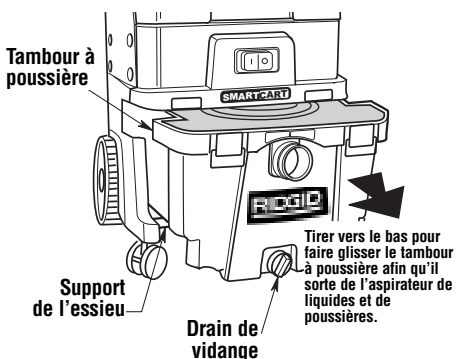
Vidage du tambour

⚠ AVERTISSEMENT : pour réduire le risque de blessure en raison d'une mise en marche accidentelle, débrancher le cordon électrique avant de vider le tambour.

⚠ AVERTISSEMENT : pour réduire le risque de chute ou de blessure au dos il ne faut pas soulever un aspirateur plein de liquide ou de débris. Ramasser ou drainer suffisamment du contenu hors de l'aspirateur afin de rendre l'aspirateur assez léger pour le soulever confortablement.

1. Cet aspirateur est équipé d'un drain permettant d'évacuer facilement les liquides. Il suffit de dévisser le capuchon du drain et de soulever le côté opposé de l'aspirateur pour l'incliner légèrement afin de vider le tambour.
2. Une autre option consisterait à retirer le tambour de l'aspirateur.
3. Tirez le tambour vers le bas pour le faire sortir de l'aspirateur et faites-le glisser sur le support de l'essieu en dessous du tambour.
4. Jetez le contenu du tambour dans une poubelle appropriée.

Fonctionnement (suite)



5. Remettez le tambour à sa place en le réinsérant dans la cavité et en le poussant jusqu'à ce que vous entendiez un déclic indiquant qu'il est bien en place.

Transport de l'aspirateur de liquides et de poussières

Pour manœuvrer l'aspirateur, positionnez la poignée en métal à l'arrière de l'appareil dans la position verticale afin de faciliter le mouvement. N'oubliez pas de débloquer les roues arrière en tirant sur les dispositifs de blocage des roues avant de déplacer l'aspirateur.

Fonction de soufflante

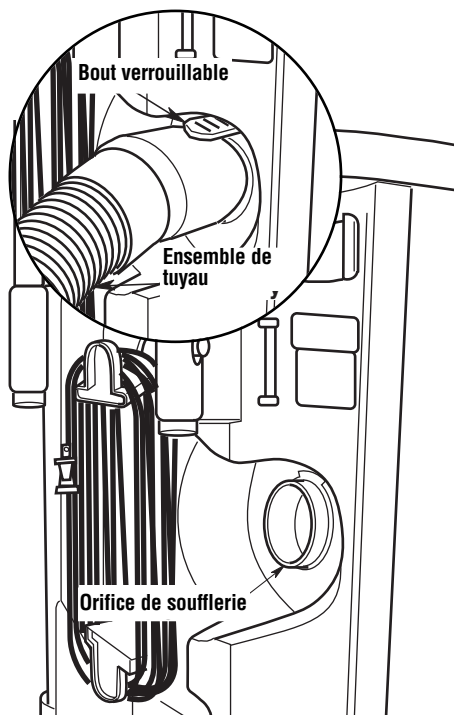
Votre aspirateur est muni d'un orifice de soufflante qui permet de chasser de la sciure ou d'autres débris. Veuillez réaliser les étapes suivantes pour utiliser votre aspirateur comme une soufflerie.

⚠ AVERTISSEMENT : il faut toujours porter des lunettes de protection conformes à la norme ANSI Z87.1 (ou, au Canada, ACNOR Z94.3) avant de se servir de l'aspirateur comme une soufflerie.

⚠ AVERTISSEMENT : pour ne pas risquer de causer des blessures à d'autres personnes, il est recommandé de leur demander de rester à distance suffisante des débris soufflés.

⚠ MISE EN GARDE : portez un masque anti-poussière si votre soufflage crée de la poussière qui pourrait être aspirée.

⚠ MISE EN GARDE : pour réduire le risque d'endommagement de l'ouïe, portez des protecteurs d'oreilles quand vous utilisez l'aspirateur/la soufflante pendant de longues périodes ou quand vous l'utilisez dans un environnement bruyant.



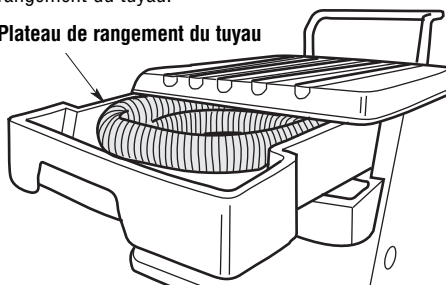
1. Localisez l'orifice de soufflante sur votre aspirateur.
2. Insérez le bout verrouillable de l'ensemble de flexible dans l'orifice de soufflerie de l'aspirateur. Le tuyau devrait se mettre en place d'un coup sec. Pour retirer le tuyau de l'aspirateur, appuyez sur le bouton de déclenchement sur l'ensemble de tuyau et sortez le tuyau de l'entrée d'aspiration en tirant.
3. (Optionnel) Attachez la poignée de rallonge au bout opposé du flexible, puis placez le suceur plat sur le tube de rallonge.
4. Après avoir mis l'aspirateur sous tension, vous serez prêt à l'utiliser comme une soufflerie.

Rangement

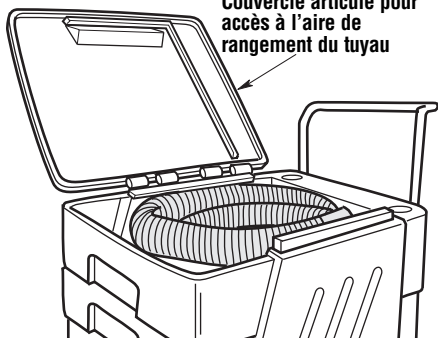
Rangement du tuyau

Le tuyau peut être rangé en le plaçant dans le plateau amovible supérieur. Vous pouvez aussi ouvrir le couvercle articulé pour accéder à l'aire de rangement du tuyau.

Plateau de rangement du tuyau

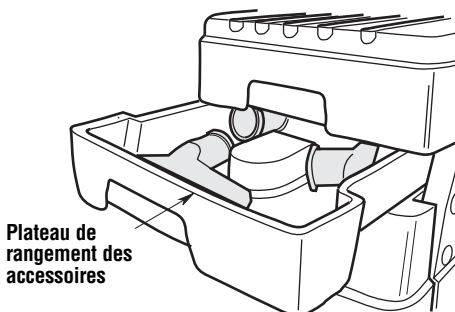


Couvercle articulé pour accès à l'aire de rangement du tuyau



Rangement des accessoires

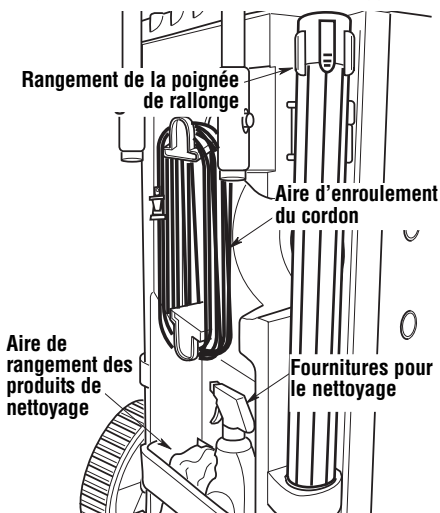
Vos accessoires d'aspirateur de liquides et de poussières peuvent être rangés sur le plateau amovible inférieur. Les fournitures pour le nettoyage peuvent être rangées dans l'aire de rangement située à l'arrière de l'appareil, entre les roues. Les poignées de rallonge se mettent en place en faisant un léger dé clic à l'arrière de l'aspirateur, dans l'aire de rangement prévue pour la poignée de rallonge.



Plateau de rangement des accessoires

Enroulement du cordon

Quand vous aurez fini de passer l'aspirateur, débranchez le cordon et enroulez-le dans l'aire de rangement du cordon située à l'arrière de l'appareil.



Rangement de la poignée de rallonge

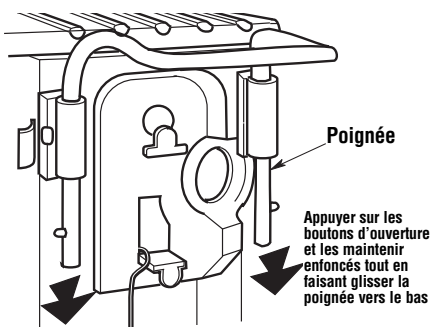
Aire d'enroulement du cordon

Aire de rangement des produits de nettoyage

Fournitures pour le nettoyage

Rangement de la poignée

Lorsque vous vous apprêtez à ranger l'aspirateur de liquides et de poussières, appuyez sur les boutons et maintenez-les enfoncés pendant que vous faites glisser d'une main ferme la poignée vers le bas.



Poignée

Appuyer sur les boutons d'ouverture et les maintenir enfoncés tout en faisant glisser la poignée vers le bas

Entretien

Filtere

▲ AVERTISSEMENT : pour réduire le risque de blessure en raison d'une mise en marche accidentelle, débrancher le cordon électrique avant de remplacer le filtre ou de le nettoyer.

REMARQUE : le filtre est fait de papier de qualité élevée conçu pour intercepter les très petites particules de poussière. Le filtre peut être utilisé pour le ramassage de matière sèche ou de petits volumes de liquides. Manipuler le filtre avec précaution lors de son nettoyage ou de son installation. Les plis du filtre peuvent être froissés pendant l'installation, mais cela n'aura aucune influence sur la performance du filtre.

Nettoyage du filtre

Il faut nettoyer souvent le filtre pour ne pas affecter la performance optimale de l'aspirateur.

Sécher toujours le filtre avant de le ranger ou de ramasser des débris secs.

IMPORTANT : Inspecter le filtre après le nettoyage pour s'assurer qu'il n'est pas déchiré ou troué. Ne pas utiliser un filtre déchiré ou troué. Même un petit trou peut permettre à beaucoup de poussière de sortir de l'aspirateur. Remplacer le filtre immédiatement dans ce cas.

Retrait du filtre

Référez-vous à la section de la page 7, « Retrait et installation du filtre », de ce mode d'emploi.

IMPORTANT : pour éviter d'endommager le moteur et la roue de la soufflerie, toujours réinstaller le filtre avant d'utiliser l'aspirateur pour ramasser des matériaux secs.

Nettoyage d'un filtre sec

1. Il est possible de retirer certains débris secs sans qu'il soit nécessaire de faire sortir le filtre de l'aspirateur. Tapez avec la main sur le dessus du couvercle pendant que l'aspirateur est hors tension.
2. Pour obtenir les meilleurs résultats lors du nettoyage d'un filtre sur lequel des poussières se sont accumulées, nettoyer le filtre dans un endroit ouvert. Le nettoyage doit être effectué à l'extérieur. Il ne doit pas être fait à l'intérieur d'une résidence.
3. Après avoir retiré le filtre de l'aspirateur, retirer les débris secs en secouant doucement le filtre contre la paroi intérieure de votre tambour à poussière. Les débris se détacheront et tomberont.
4. Pour effectuer un nettoyage complet du filtre sec lorsqu'il est couvert de particules très fines (pas de débris), faire couler de l'eau à travers le filtre tel qu'indiqué sous la rubrique « Nettoyage d'un filtre humide ».

Nettoyage d'un filtre humide

Une fois le filtre retiré, faites couler de l'eau au travers du filtre à l'aide d'un tuyau d'arrosage ou d'un robinet. Veillez à ce que la pression de l'eau sortant du tuyau d'arrosage ne soit pas si forte qu'elle pourrait endommager le filtre.

Installation

Référez-vous à la section de la page 7, « Retrait et installation du filtre », de ce mode d'emploi.

Laisser sécher le filtre avant de le réinstaller et de ranger l'aspirateur.

Nettoyage et désinfection de l'aspirateur de liquides et de poussières

Pour conserver l'esthétique optimale de votre aspirateur de poussières et de liquides, nettoyez la surface extérieure de l'aspirateur à l'aide d'un chiffon imbibé d'eau tiède savonneuse.

Procédure de nettoyage du tambour :

1. Vider les débris.
2. Nettoyez soigneusement le tambour à poussière à l'aide d'un savon doux et d'eau tiède.
3. Essuyer avec un chiffon sec.

Avant de ranger l'aspirateur pour une période prolongée, ou dans les cas nécessaires (par exemple après l'aspiration d'eaux usées), vous devez désinfecter le tambour.

Pour désinfecter le tambour :

1. Versez un gallon (presque 4 litres) d'eau et une cuillerée à thé de produit à blanchir à l'eau de javel dans le tambour.
2. Laissez la solution agir pendant 20 minutes, en remuant doucement de temps à autre pour vous assurer que toutes les surfaces du tambour restent humides.
3. Videz le tambour au bout de 20 minutes. Rincez à l'eau jusqu'à ce que l'odeur d'eau de javel ait disparu. Laissez sécher le tambour complètement avant de sceller le moteur sur le tambour.

Roulettes et roues

Si le chariot commence à grincer ou s'il devient difficile de le faire rouler, appliquer deux ou trois gouttes d'huile universelle sur chaque roue au niveau de l'essieu. Si les roulettes font du bruit, appliquer une goutte d'huile sur l'arbre pour les rendre silencieuses.

Cadre et poignées

La poignée en métal est peinte pour la protéger contre la rouille. Toutefois, il faut en retirer les liquides et les débris corrosifs en contact avec la poignée avec un chiffon non abrasif.

▲ AVERTISSEMENT : pour assurer la SÉCURITÉ et la FIABILITÉ du produit, les réparations et réglages doivent être effectués par des centres agréés de service après-vente en utilisant toujours des pièces de rechange RIDGID.


Pièces de rechange

Aspirateur de liquides et de poussières SMARTCART de 11 gallons des États-Unis / 41 litres N° de modèle : WD70000

Les pièces RIDGID sont disponibles sur notre site Web à l'adresse suivante : www.ridgidparts.com
Pour commander, utiliser toujours le numéro de pièce – pas le numéro de légende

AVERTISSEMENT

RÉPARATION DE L'ASPIRATEUR DE LIQUIDES ET DE POUSSIÈRES DOUBLEMENT ISOLÉ

Dans un aspirateur de liquides et de poussières doublement isolé, deux systèmes d'isolation sont fournis au lieu de la mise à la terre. Aucun moyen de mise à la terre n'est prévu sur un appareil électro-ménager doublement isolé, et il ne faut pas en ajouter. La réparation d'un aspirateur de liquides et de poussières doublement isolé nécessite une connaissance approfondie du système et la prise de précautions extrêmes. Une telle réparation ne doit être entreprise que par un technicien agréé. Les pièces de rechange pour un aspirateur de liquides et de poussières doublement isolé doivent être les mêmes que les pièces qu'elles remplacent. Les mots « DOUBLE INSULATED » (Doublement isolé) figurent sur l'aspirateur de liquides et de poussières doublement isolé, et le symbole  (un carré à l'intérieur d'un autre carré) peut également figurer sur les appareils.

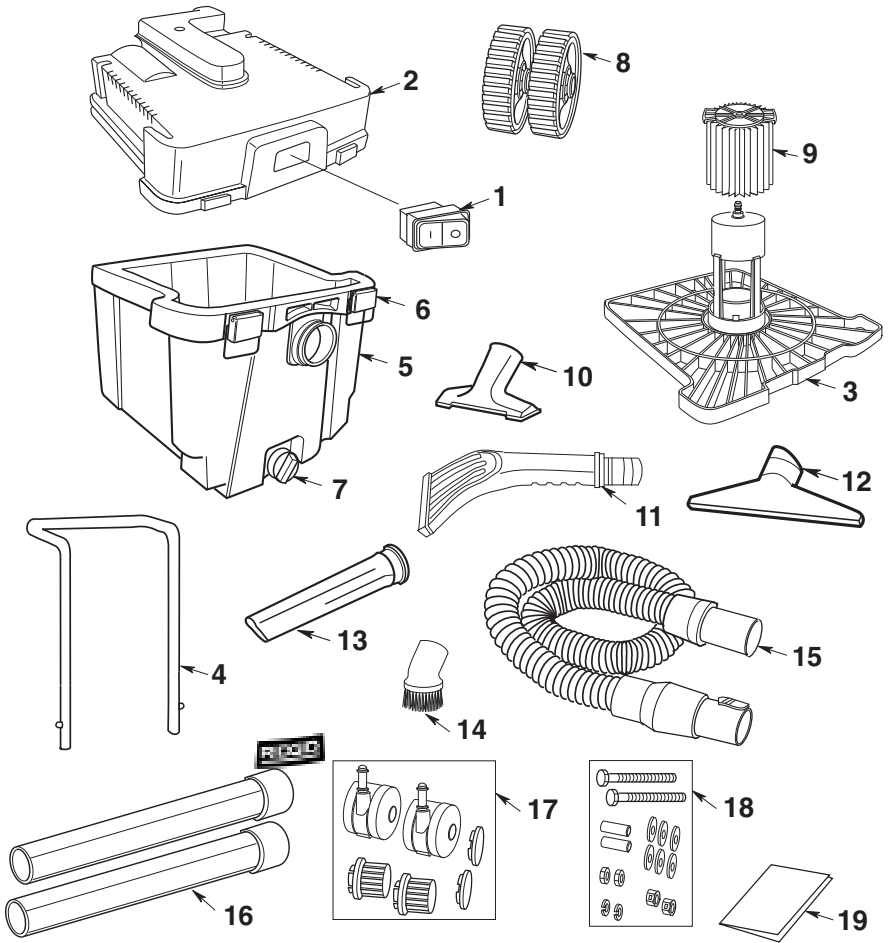
Pour réduire le risque de blessures causées par les chocs électriques, débranchez le cordon d'alimentation avant de réparer les éléments électriques de l'aspirateur de liquides et de poussières.

Légende N°	Pièce N°	Description
1	510013	Ensemble d'actionneur
2	832328	Ensemble d'électrobrosse
3	832119	Ensemble de support du filtre
4	832120	Ensemble de poignée
5	832113	Ensemble de tambour à poussière
6	832116	Verrou de fixation du tambour
7	73185	Capuchon de drain
8	830598	Roue de 8 po (20 cm)
9	VF5000	† Filtre à poussières fines Qwik Lock™
10	VT1789	Suceur à usages multiples
11	VT2540	Suceur à griffes
12	VT1710	† Suceur humide
13	829792	† Suceur plat
14	VT1701	† Brosse de dépoussiérage
15	831337-8	† Ensemble de tuyau
16	VT1708	† Rallonge de poignée
17	509950	Sac de roulettes
18	509949	Ensemble de sac (petit matériel de fixation pour roues de 8 po)
19	SP6659	Manuel de l'opérateur

† Ces pièces de rechange sont en vente partout où des aspirateurs de liquides et de poussières RIDGID sont en vente.

Pièces de rechange (suite)

Les pièces RIDGID sont disponibles sur notre site Web à l'adresse suivante : www.ridgidparts.com





- **Ce qui est couvert par la garantie**

Les aspirateurs de liquides et de poussières RIDGID® sont garantis sans défauts de matériel ou de façon.

- **Durée de la garantie**

Cette garantie est valable pendant toute la durée de vie de l'outil RIDGID®. Le produit n'est plus couvert lorsqu'il cesse d'être utilisable pour des causes autres que des défauts de matériel ou de façon.

- **Le service après-vente**

Pour obtenir le bénéfice de cette garantie, veuillez téléphoner au 1-800-4-RIDGID (1-800-474-3443).

- **Les mesures de rectification des problèmes**

Les aspirateurs de liquides et de poussières sous garantie seront réparés ou remplacés, au choix de Ridge Tool Company, et ils vous seront renvoyés gratuitement; ou, si au bout de trois tentatives de réparation ou de remplacement pendant la période de garantie, l'aspirateur de liquides et de poussières est toujours défectueux, vous pourrez demander à obtenir un remboursement intégral de votre prix d'achat.

- **Ce qui n'est pas couvert par la garantie**

Les défaillances causées par une utilisation abusive ou non conforme aux instructions, ou par l'usure ordinaire, ne sont pas couvertes par cette garantie. **RIDGE TOOL N'EST RESPONSABLE D'AUCUN DOMMAGE SECONDAIRE OU INDIRECT.**

- **Effet des lois locales sur cette garantie**

Au Canada, certaines provinces ne permettent peut-être pas l'exclusion ou la limitation des dommages secondaires ou indirects; par conséquent, il est possible que l'exclusion ou la limitation susmentionnée ne s'applique pas à vous. Cette garantie vous confère des droits contractuels spécifiques, et vous disposez peut-être d'autres droits qui peuvent varier d'une province à l'autre.

- **Aucune autre garantie expresse ne s'applique**

La présente GARANTIE À VIE COMPLÈTE est la garantie unique et exclusive concernant les produits RIDGID®. Aucun salarié, agent, distributeur ou autre n'est autorisé à modifier cette garantie ou à offrir une quelconque autre garantie de la part de Ridge Tool Company.

Stock N° WD7000

Modèle N° WD7000

Numéro de série _____

Les numéros de modèle et de série figurent sur le panneau arrière. Il est recommandé d'inscrire ces deux numéros en lieu sûr pour référence future.

**QUESTIONS OU COMMENTAIRES ? TÉLÉPHONER AU
1-800-4-RIDGID (1-800-474-3443)**

www.ridgidvac.com

Prière d'avoir votre numéro de modèle ainsi que votre numéro de série à portée de la main avant de nous appeler.



EMERSON™

Commercial & Residential Solutions