

Item #1000035852
Model #5084-WH

Installation Guide

Recessed Décor Insert

PACKAGE CONTENTS

- (1) Recessed Décor Insert
- (2) Phillips head screws

TOOLS NEEDED*

- # 2 Phillips head screwdriver
- Drywall Saw
- Pencil

*The use of power tools is not recommended

MATERIALS NEEDED (Not Included)

- 1-Gang Low Voltage Mounting Bracket
- 1-Gang Décora Cover Plate

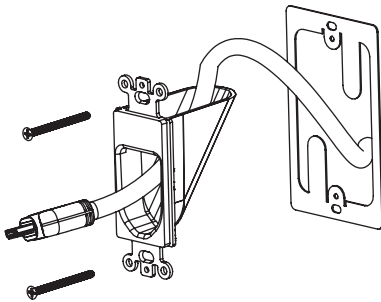
For video information visit homedepot.com and search SKU 1000035852 or model number 5084-WH



Installation

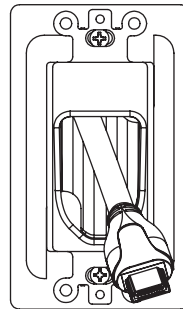
1 INSTALLING THE PLATE

- After installing a low voltage mounting bracket (not included), pass your low voltage A/V cables through the opening in the plate.



2 CONNECTING THE BOTTOM PLATE

- Secure the Recessed Décor Insert to the bracket using the included screws and a Phillips head screwdriver. Cover with a single gang décora cover plate (not included).



Safety Information

Please read all instructions and safety information before use.
Retain this manual for future reference.



CAUTION: When using tools always follow the manufacturer's safety guidelines.



ETL LISTED
CONFORMS TO
UL STD. 1963
CERTIFIED TO

Intertek
3026001 CAN/CSA STD. C22.2#182.4

RoHS Compliant
This product is patent protected by
U.S. Patent number 7390964

HOMEDEPOT.COM

Please contact 1-877-527-0313 for further assistance.

Rev. 02/01/2019