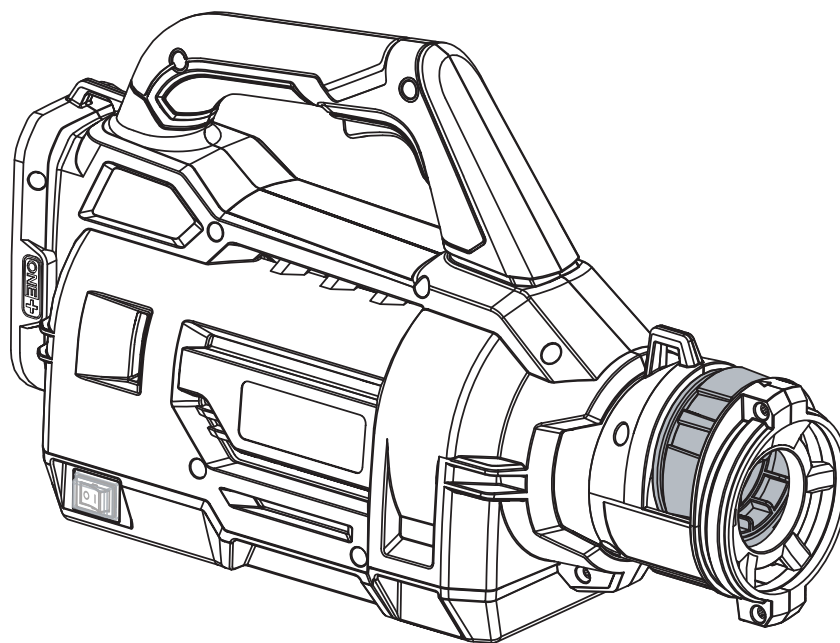


REPAIR SHEET

BRAND RYOBI		DESCRIPTION 18 Volt 1 Gal. Electrostatic Sprayer
MODEL NO. P2807 P2807VNM	MFG. NO. 107657001 107657101	

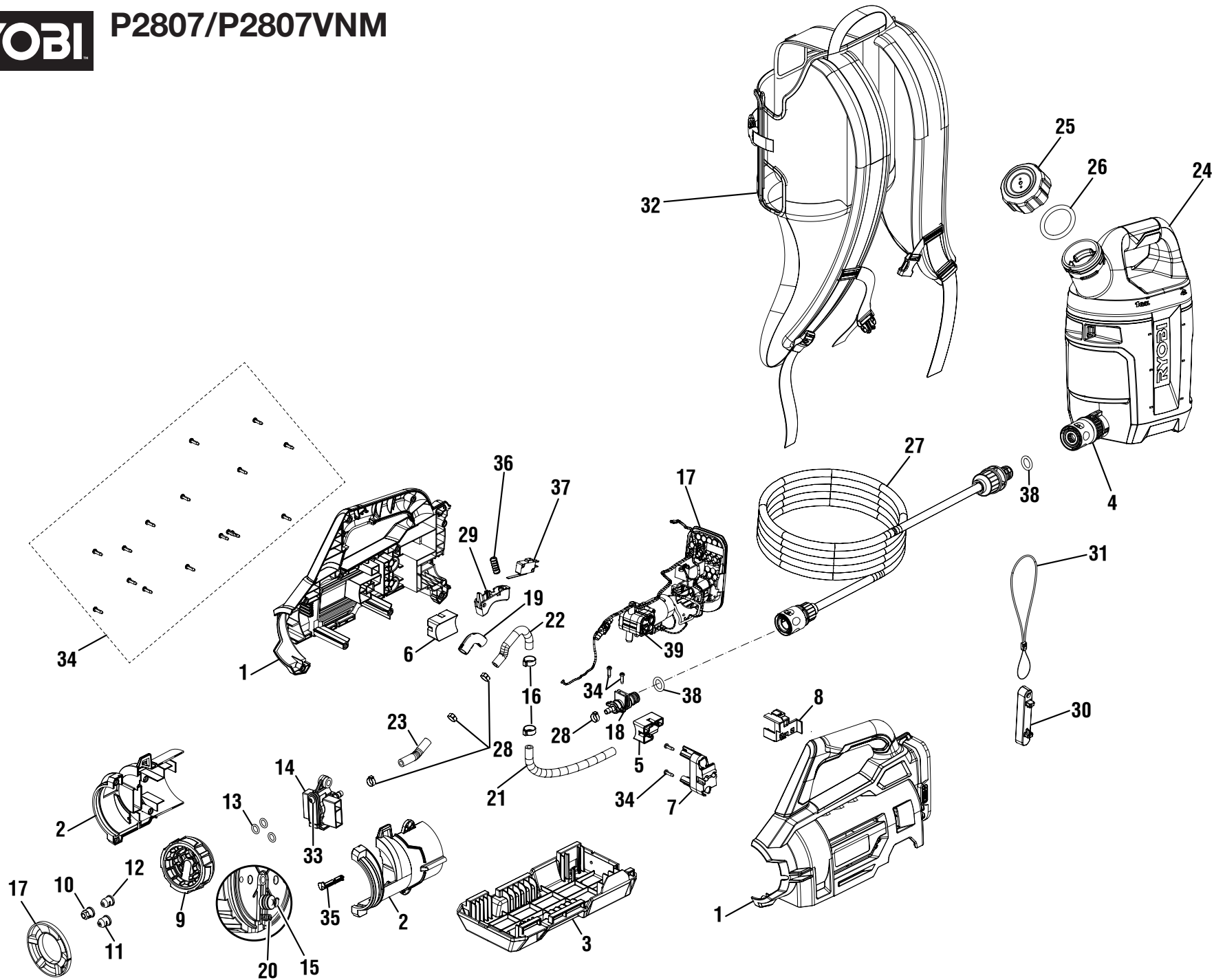


TECHTRONIC INDUSTRIES POWER EQUIPMENT

P.O. Box 1288, Anderson, SC 29622 ■ 1-800-525-2579 ■ www.ryobitools.com

6-14-21 (Rev:06)

The model number and manufacturing location will be found on a label attached to the product. Always mention this information in all communications regarding this product and when ordering parts.





P2807/P2807VNM

PARTS LIST

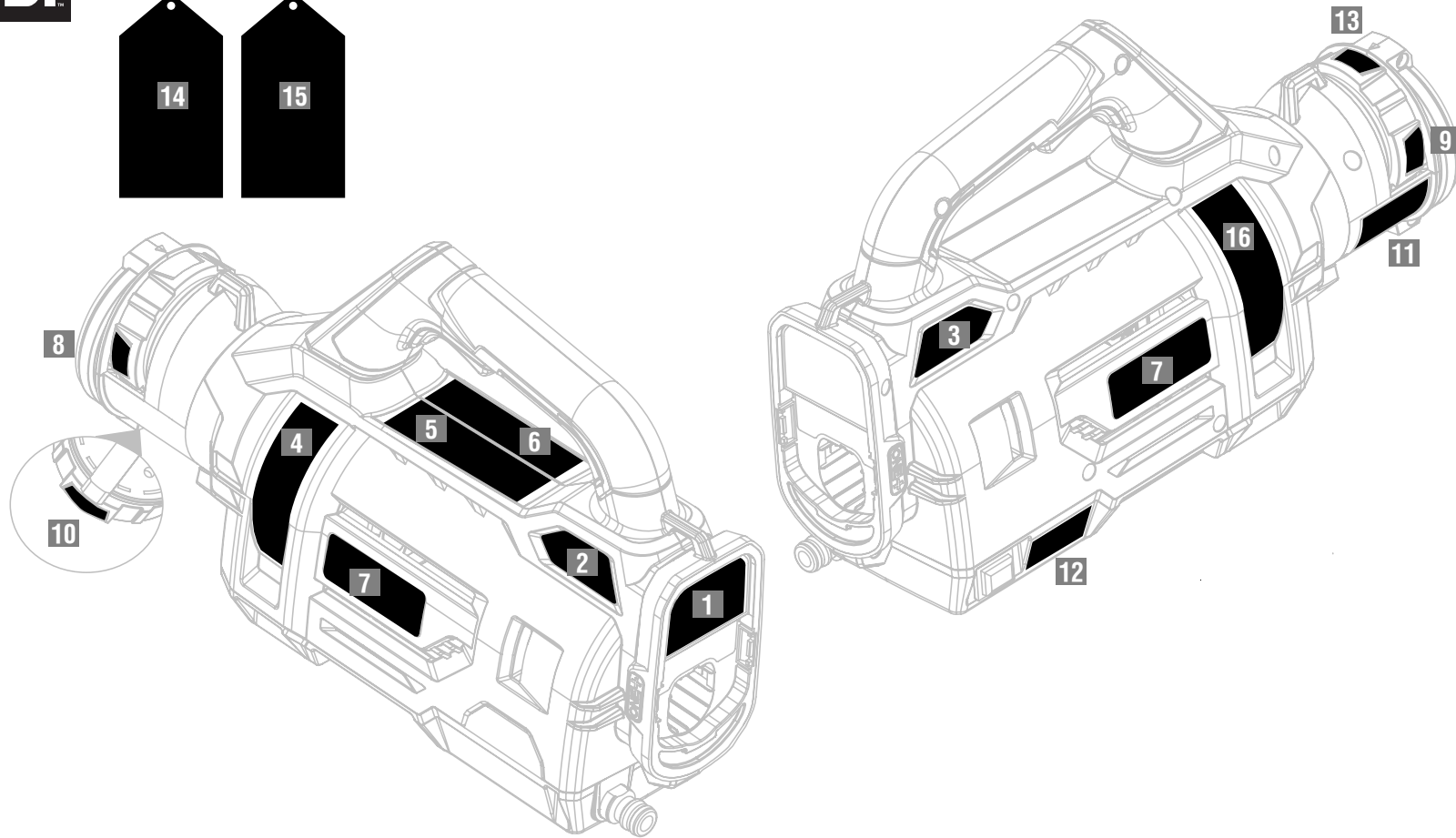
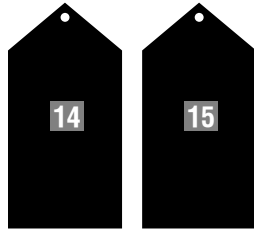
KEY NO.	PART NO.	DESCRIPTION	QTY.
1	316975001	Housing Assembly (Inc. Labels)	1
2	316979001	Outlet Tube Assembly (Inc. Label)	1
3	316977001	Bottom Plate Assembly (Inc. Label)	1
4	330273002	Shut-off Valve	1
5	565823001	Left Motor Support	1
6	565825001	Right Motor Support	1
7	542126001	Base for Pump	1
8	542118001	Base	1
9	316983001	Nozzle Dial Assembly (Inc. Labels)	1
10	316981001	Low Spray Nozzle Assembly (Inc. 1 Key No. 13 & Label)	1
11	316980001	Medium Spray Nozzle Assembly (Inc. 1 Key No. 13 & Label)	1
12	316982001	High Spray Nozzle Assembly (Inc. 1 Key No. 13 & Label)	1
13	565945001	O-Ring	3
14	317030001	Nozzle Body Assembly (Inc. Key Nos. 15, 20 & 33)	1
15	317027001	Piston Seal Assembly	1
16	635294005	Clamp	2
17	316974001	Motor & Battery Foot Assembly (P2807) (Inc. Key Nos. 37, 39 & Label)	1
	318291001	Motor & Battery Foot Assembly (P2807VNM) (Inc. Key Nos. 37, 39 & Label)	1
18	316906001	Male Quick Connect (Inc. 1 Key No. 38)	1
19	317028001	Pipe Shroud Assembly	1
20	317029001	Ball and Spring Assembly	1
21	535412001	Tube (Pump Inlet)	1

KEY NO.	PART NO.	DESCRIPTION	QTY.
22	535412002	Tube (Pump Outlet)	1
23	535412003	Tube (Barb Nozzle)	1
24	316976001	Tank Assembly (Inc. Key Nos. 4 & 25-26)	1
25	536075002	Tank Cap	1
26	565857001	O-Ring	1
27	317097001	Hose Assembly (Inc. 1 Key No. 38)	1
28	699050001	Clamp	4
29	529209004	Switch Trigger	1
30	542326001	Nozzle Wrench	1
31	903073001	Cord	1
32	903646004	Tank Holster	1
33	663087001	Screw (M5)	1
34	661817001	Screw (M4 x 13.5 mm, Torx T15 Pan Hd.)	20
35	542335001	Wire Cover	1
36	679002002	Compression Spring	1
37	760034006	Micro Switch	1
38	570742189	O-Ring	2
39	316796001	Motor & Pump Assembly	1
	Not Shown:		
	998000296	Operator's Manual	
	900333008	Hang Tag Cable Tie	
	316973001	3-N-1 Nozzle Assembly (Inc. Key Nos. 9-13)	

Labels Shown On Next Page



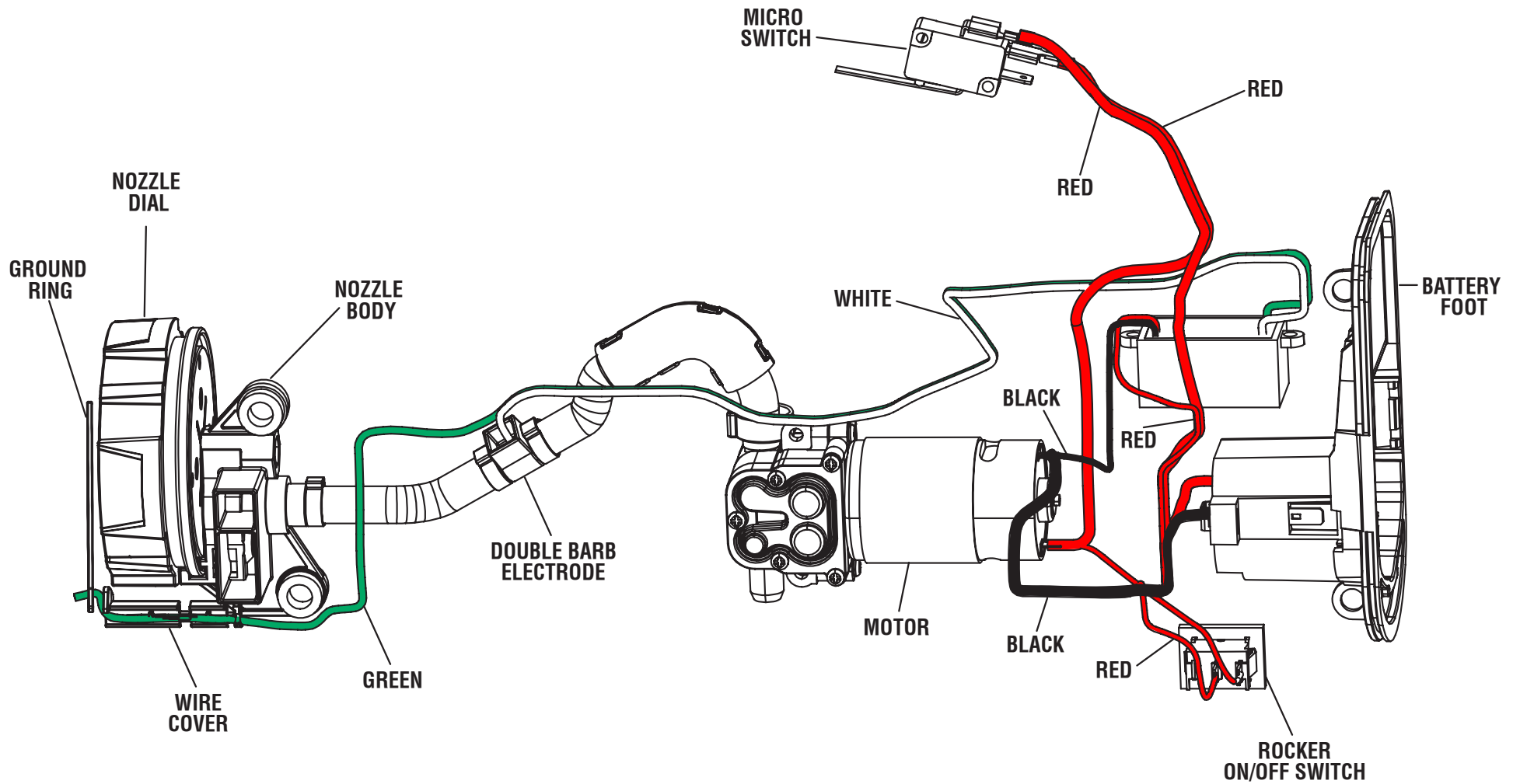
P2807/P2807VNM



LABELS

KEY NO.	PART NO.	DESCRIPTION	QTY.
1	941588746	Data Label (Foot, P2807)	1
	941588907	Data Label (Foot, P2807VNM)	1
2	941588748	18V Label (Left)	1
3	941588747	18V Label (Right)	1
4	941588749	Electrostatic Logo Label (Left)	1
5	941588750	Warning/Icon Label	1
6	941588752	Warning Label	1
7	940705495	Logo Label	2
8	941588753	High Spray Nozzle Label	1

KEY NO.	PART NO.	DESCRIPTION	QTY.
9	941588754	Low Spray Nozzle Label	1
10	941588755	Medium Spray Nozzle Label	1
11	941588764	Caution Label	1
12	941588765	ES On/Off Label	1
13	941588766	Remove/Eject Puck Label	1
14	918013100	Cleaning Nozzle Reference Guide Hang Tag (EN/FR/SP)	1
15	918013102	Cleaning Nozzle Reference Guide Hang Tag (PORT)	1
16	941588767	Electrostatic Logo Label (Right)	1



WIRING DIAGRAM