

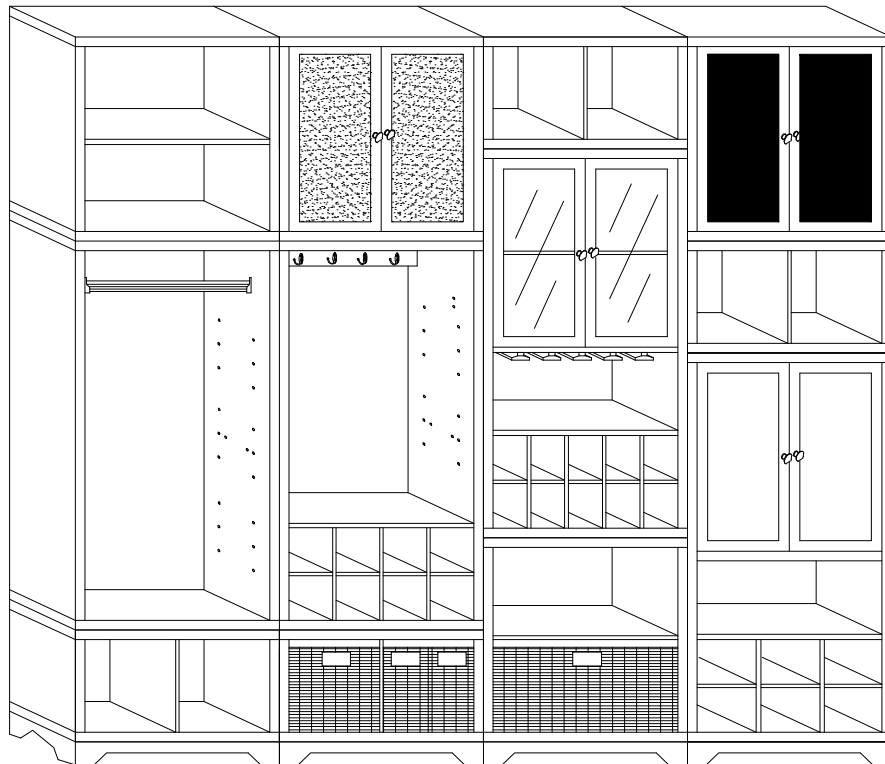
HOME DECORATORS COLLECTION

BAXTER COLLECTION

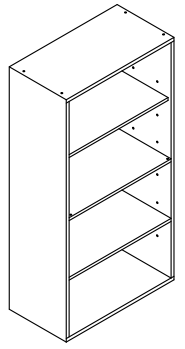
ASSEMBLY INSTRUCTIONS

- Note:** 1. Before assembly, please be sure to work on a soft, flat surface to avoid any damage to the finish.
2. You need at least 2 people to finish the assembly of this product.

Made In China



HDC# 12214 MFG# TW-19022BK/TW-19022WE
BAXTER LARGE FRAME



HIDDEN CONNECTOR ASSEMBLY TECHNIQUES FOR LOCK NUT & LOCK PIN

1 SET INCLUDES: (C) CAM-LOCK 1PC. (A) CAM BOLT 1PC.

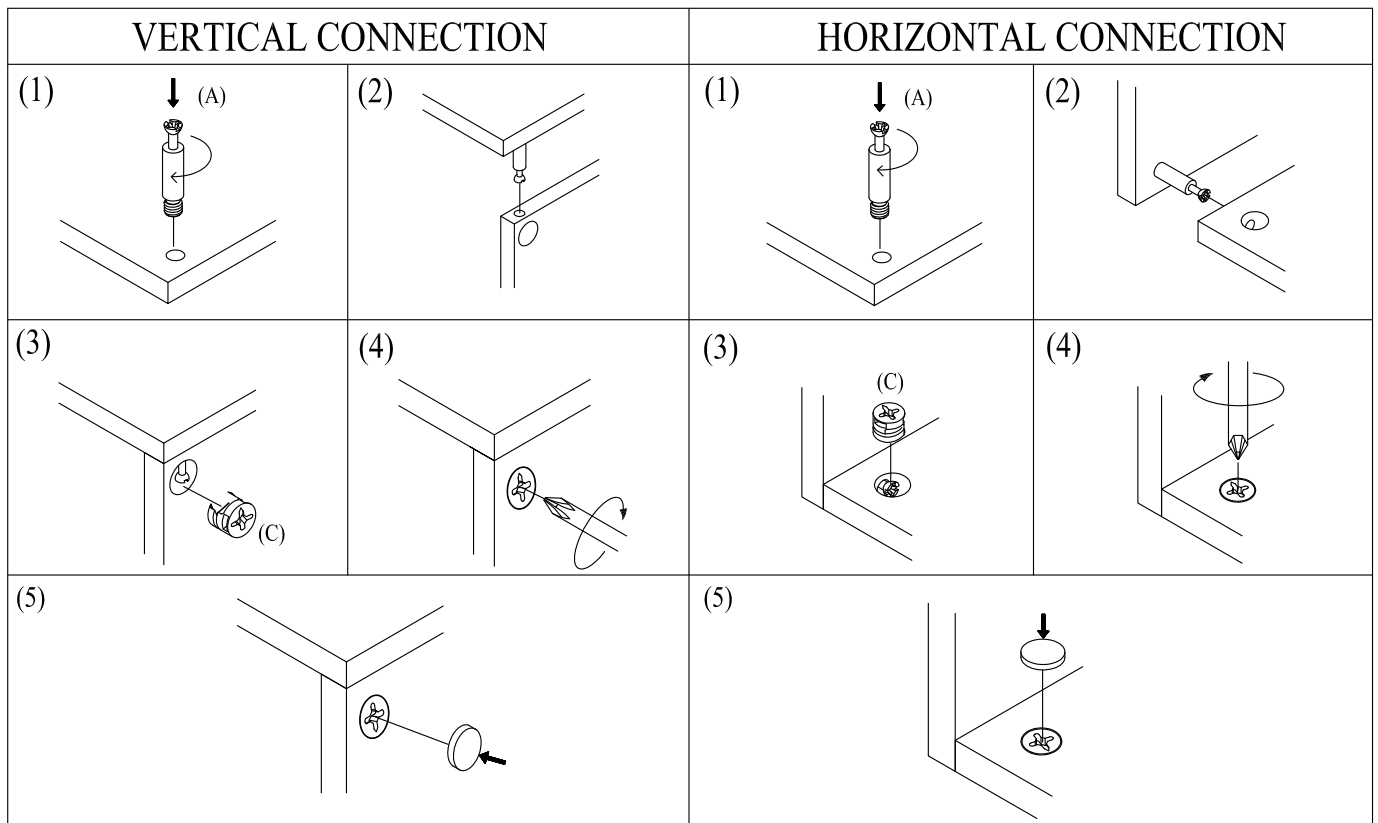
TOOL NEEDED: "+" SCREW DRIVER

STEP 1: SCREW CAM BOLT (A) ONTO PRE-SET PLASTIC NUT ON PANEL. USE A "+" SCREW-DRIVER FOR TIGHTENING. ATTENTION: DO NOT OVER TIGHTEN THE CAM BOLT (A).

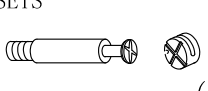

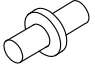
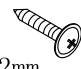
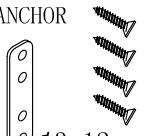
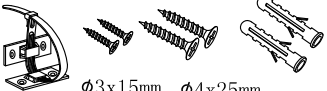
STEP 2: ATTACH BOTH PANELS, MAKE SURE YOU HAVE INSERTED THE CAM BOLT TO THE VERY DEPTH OF THE HOLE WITH RUBBER MALLET GENTLY, CAUTION: DO NOT USE HAMMER. THEN INSERT CAM-LOCK (C) INTO PRE-DRILLED HOLE ON PANEL, MAKE SURE THE ARROW ON CAM-LOCK (C) SET IN PANEL POINT TOWARD THE HOLE INTO WHICH THE CAM BOLT (A) HAS BEEN INSERTED AND INSERTED THE CAM-LOCK (C) TO THE VERY DEPTH OF THE HOLE.

STEP 3: ROTATE THE CAM-LOCK (C) CLOCKWISE TO SECURE CAM BOLT (A) BY TIGHTENING WITH A "+" SCREWDRIVER.

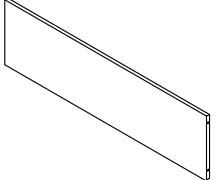
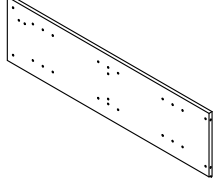
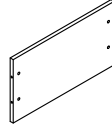
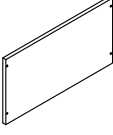
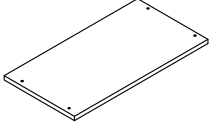
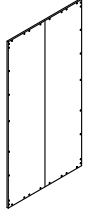
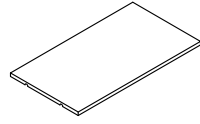
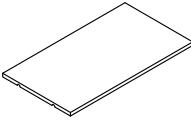
DETAIL STEP PLEASE SEE THE BELOW PICTURE.



HARDWARE LIST

CAM-BOLT CAM-LOCK 4 SETS  (1)	LONG BOLT HORIZONTAL HOLE NUT VELVET HOLE COVER 8 SETS  $\phi 6 \times 38 \text{mm}$ (2)	SHELF HOLDER 8 PCS  (3)	ROUND HEAD SCREW 22 PCS  $\phi 3 \times 12 \text{mm}$ (4)	FLAT HEAD SCREW METAL ANCHOR 2 SETS  $\phi 3 \times 12 \text{mm}$ (5)
TILTING PREVENT HARDWARE 2 SETS  $\phi 3 \times 15 \text{mm}$ $\phi 4 \times 25 \text{mm}$ (6)		NOTE: (5) AND (6) THESE HARDWARES ARE USED FOR CONNECTING FRAMES, BASE AND WALL WHICH HAVE SHOWN ON THE ASSEMBLY OF BASE.		

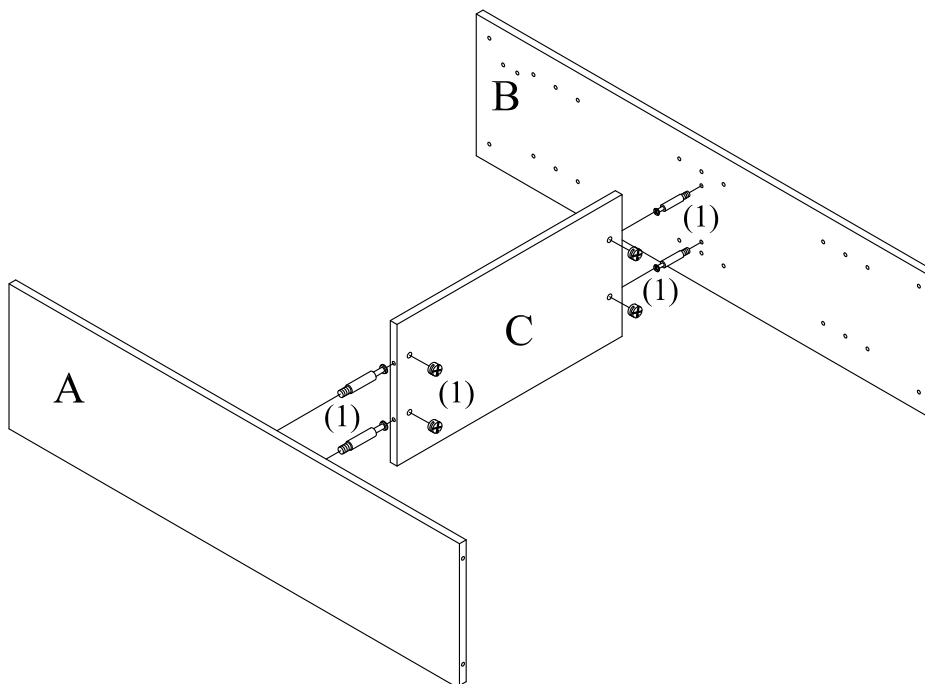
PARTS LIST

LEFT SIDE PANEL 1 PC  A	RIGHT SIDE PANEL 1 PC  B	SHELF 1 PC  C	BOTTOM PANEL 1 PC  D
TOP PANEL 1 PC  E	BACK PANEL 1 PC  F	SHELF 1 PC  G	SHELF 1 PC  H

NOTE: THE SURFACE WITH THE STICKER IS THE BACK SIDE.

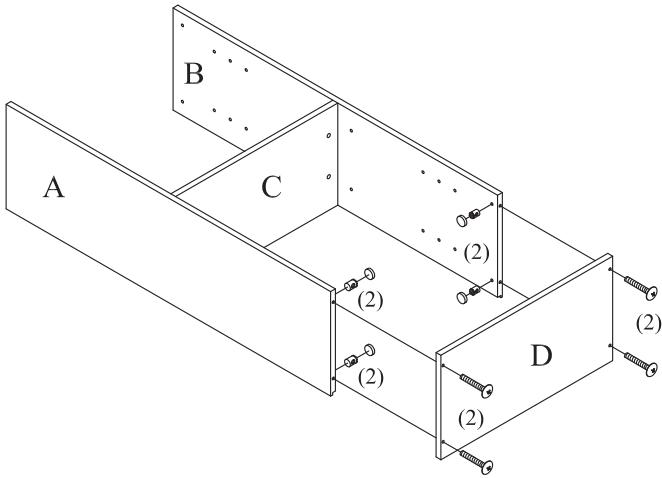
STEP 1: ASSEMBLE SIDE PANEL (A & B) AND SHELF (C)

- USE CAM-BOLT & CAM-LOCK (1) TO ASSEMBLE SIDE PANEL (A & B) AND SHELF (C) TOGETHER.



STEP 2: ASSEMBLE BOTTOM PANEL (D)

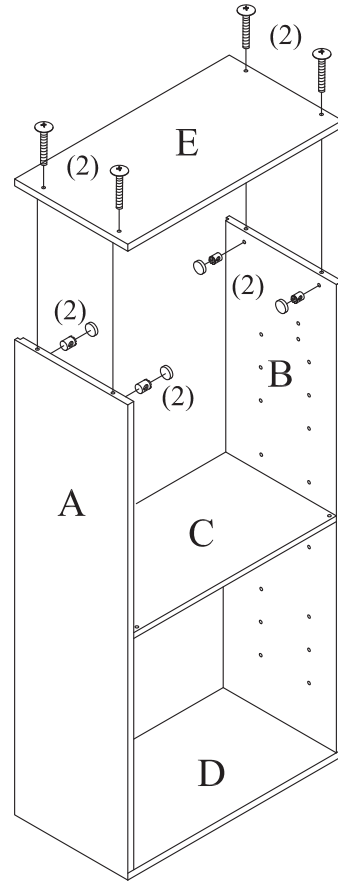
- USE BOLT & HORIZONTAL HOLE NUT (2) TO ASSEMBLE BOTTOM PANEL (D) AND SIDE PANEL (A & B) TOGETHER.
- USE VELVET HOLE COVER (2) TO COVER THE HORIZONTAL NUT HOLES AS SHOWN.



IMPORTANT NOTE: YOU NEED TO FINISH ACCESSORIES ASSEMBLY FIRST BEFORE FIXING TOP PANEL AND BACK PANEL ON MAIN FRAME. FOLLOW THE ASSEMBLY INSTRUCTIONS FOR RELATED ACCESSORIES AS FOLLOWING HAVE SHOWN.

STEP 3: ASSEMBLE TOP PANEL (E)

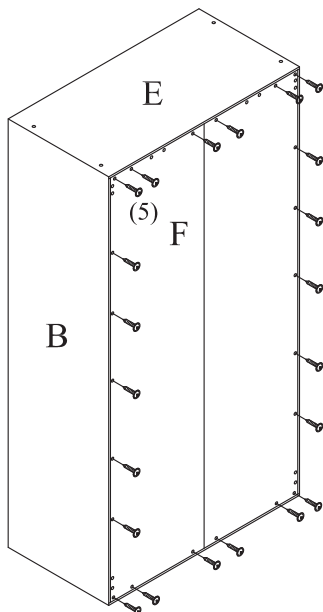
- USE BOLT & HORIZONTAL HOLE NUT (2) TO ASSEMBLE TOP PANEL (E) AND SIDE PANEL (A & B) TOGETHER.
- USE VELVET HOLE COVER (2) TO COVER THE HORIZONTAL NUT HOLES AS SHOWN.



STEP 4: ASSEMBLE BACK PANEL (F)

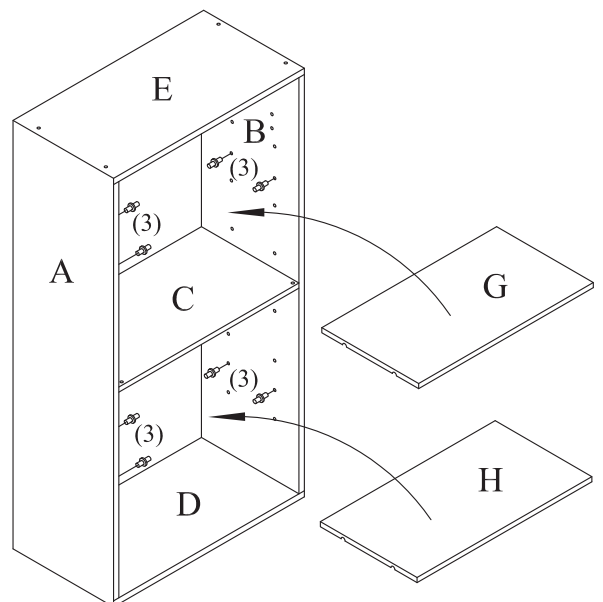
- USE ROUND HEAD SCREW (5) TO ATTACH BACK PANEL (F) ON THE BACK OF PRE-ASSEMBLED UNIT.

NOTE: BEFORE YOU ASSEMBLE THE BACK PANEL, PLEASE MAKE SURE THE 2 SIDE PANELS HAVE AN EVEN GAP BETWEEN THEM. IF UNEVEN, SHIFT THE SIDE PANELS UNTIL EVENLY SPACED, THEN ATTACH BACK PANEL.



STEP 5: ASSEMBLE SHELF (G & H)

- INSERT SHELF HOLDERS (3) INTO THE HORIZONTAL HOLES INSIDE OF SIDE PANEL (A & B), THEN PUT SHELF (G & H) INSIDE AS SHOWN.



STEP 6: ASSEMBLE TILTING PREVENT DEVICE (6)

- USE ELECTRIC DRILL TO DRILL 4 SMALL HOLES ON THE DESIRED LOCATION OF WALL, INSERT 4 GECKOS INTO THE 4 HOLES BY RUBBER Mallet, USE TWO LONG SCREWS TO ATTACH ONE PLASTIC SLICE ONTO WALL. THEN USE TWO SHORT SCREWS TO ATTACH ANOTHER PLASTIC SLICE ON THE BACK OF PRE-ASSEMBLED PRODUCT.
- USE THE PLASTIC ROPE TO LINK THE PRODUCT AND WALL TOGETHER.

WARNING: THE TILTING PREVENT HARDWARE MUST BE USED AS A PART OF ASSEMBLY, OTHERWISE, TILTING DANGER MAY BE CAUSED.

