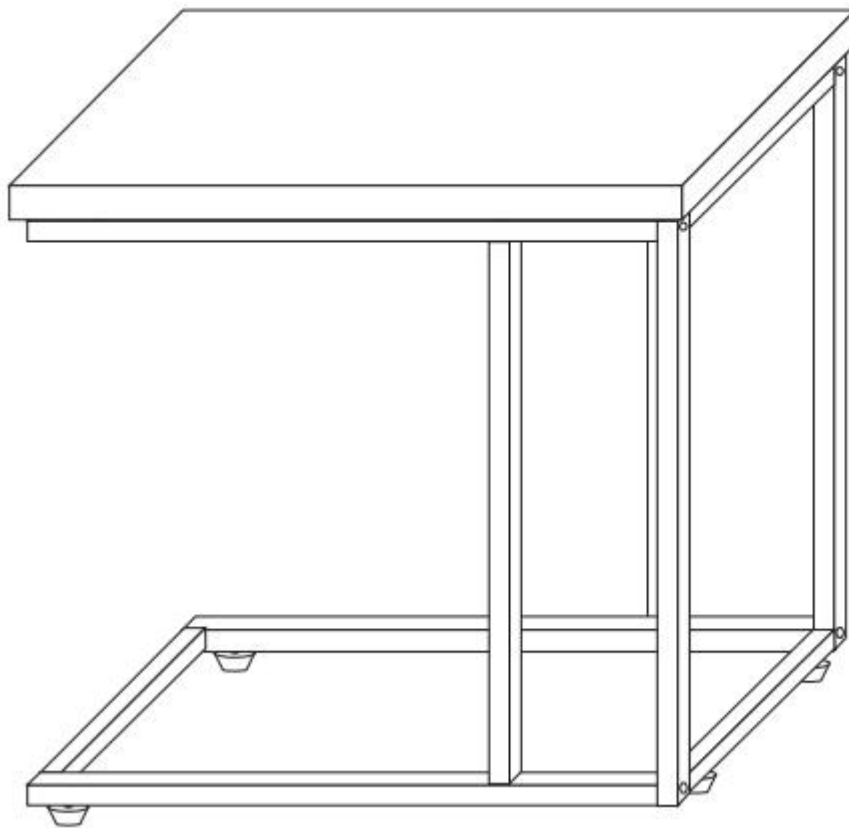




LAVISH HOME

— COLLECTION —

ASSEMBLY INSTRUCTION



C END TABLE

NOTE: THIS INSTRUCTION BOOKLET CONTAINS IMPORTANT
SAFETY INFORMATION
PLEASE READ AND KEEP FOR FUTURE REFERENCE

Table of contents	2
General Information	3
Use and Storage of the Handbook	3
Intended use	3
Safety	3
Set up and assembly	3
Parts list	4
Hardware	4
Assembly instructions	5-6
Cleaning, care and Maintenance	7

General Information

Use and Storage of the Handbook

Thank you for purchasing our Lavish Home Collection product, we have designed our furniture with you, the customer in mind. Our clear and easy step by step instructions will guide you through the project from start to finish.

This user manual contains important and useful information to accompany your purchase. Failure to follow the instructions outlined may result in personal injury or damage to the product.

Please ensure you keep the instruction manual in a safe place, so you can refer to the instructions at any time in the future.

If you have any problems or questions, please email our customer service department at www.LavishHomeStyles.com

Intended Use

This product is intended for indoor, household use only and has not been designed for commercial use.

Any improper use of the product could result in personal injury or damage to the product which the manufacturer or vendor cannot be held responsible.

Safety

Assembly is to be carried out by an adult only. During product assembly children should always be kept away due to possible risk of injury.

Keep packaging materials away from children and dispose of responsibly and immediately.

Do not use this item or attempt to assemble if any components are missing or damaged.

Please use caution and care when lifting the product to avoid personal injury and/or damage.

Please ensure that you have enough space and people to assemble your product safely.

Do not stand on the product or use as a stepladder.

Refer to the product's maximum weight capacity.

Set up and Assembly

Please check that all parts are present before you start the assembly.

For ease and speed of assembly, we recommend that before you start each step of the assembly that you identify all parts required for that step.

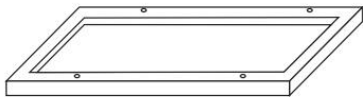




We recommend that where possible, all items are assembled near the area which they will be placed in use to avoid moving the product unnecessarily once assembled.

For the protection of your furniture, we recommend that the product be assembled on a protected surface to prevent any damage.

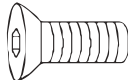
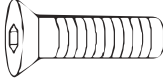

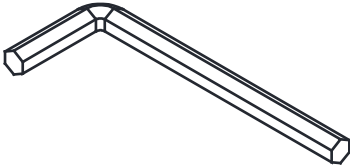
During assembly please take care not to over-tighten any fittings, as this may damage the product.

Always place the product on a flat and stable surface.

Part list

<p>PART 1</p>  <p>Top shelf 1pc</p>	<p>PART 2</p>  <p>Bottom panel 1pc</p>	<p>PART 3</p>  <p>Top panel 1pc</p>
<p>PART 4</p>  <p>Side panel 1pc</p>	<p>PART 5</p>  <p>Support tube 2pcs</p>	

HARDWARE

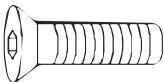

<p>A</p>  <p>Allen screw M6x10mm-4pcs</p>	<p>B</p>  <p>Allen screw M6x35mm-8pcs</p>	<p>C</p>  <p>Adjustable foot cap-4pcs</p>
<p>D</p>  <p>Allen key-1pc</p>		

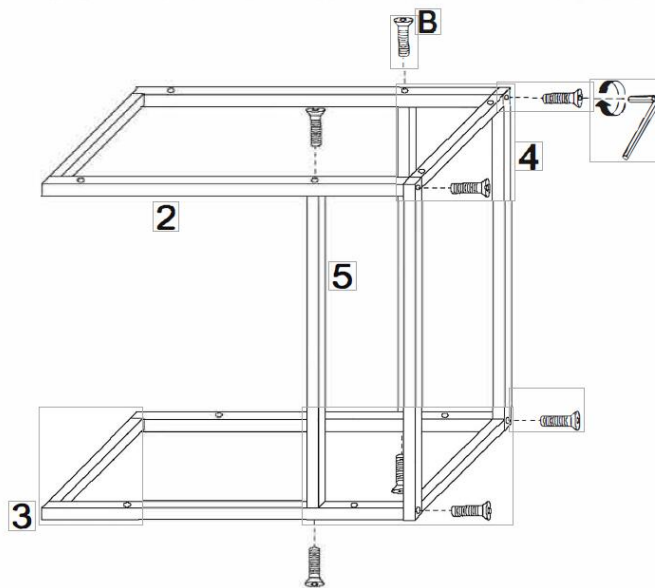
Tools needed: Allen key (Included)

Assembly instructions

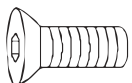


Attention: In order to help your assembly, do not lock the screw tightly until you have assembled all the other parts.

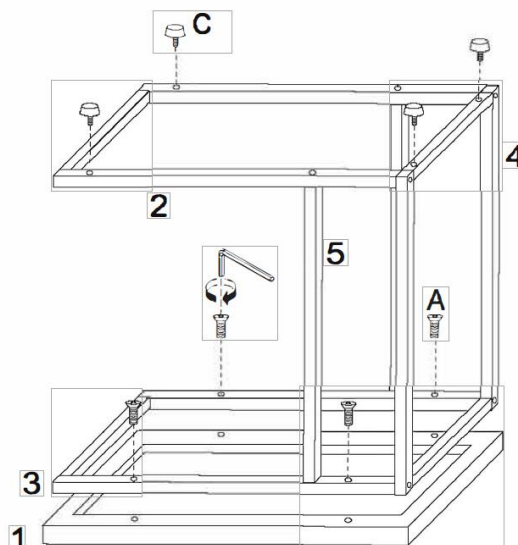
STEP 1

<p>Bx8</p> 	<p>D</p> 	<p>Assemble parts 2 ,3, 4 and 5 with Hardware B,D</p>
--	--	---



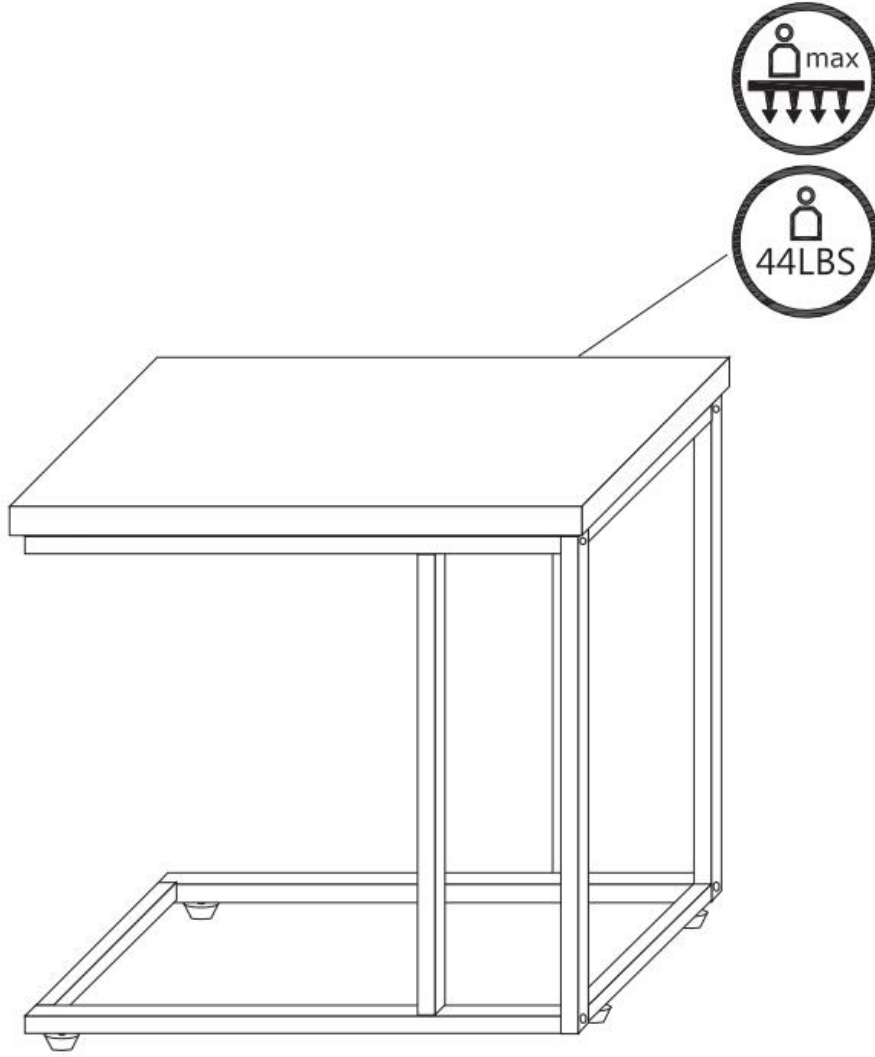
STEP 2

<p>Ax4</p> 	<p>Cx4</p> 	<p>D</p> 	<p>Assemble parts 1 with Hardware A,D then Assemble Hardware C</p>
--	--	--	--



Final Step

STEP 3



Cleaning, Care and Maintenance

Regularly check all fastenings to ensure that they are properly tightened.

Clean with a wet soft cloth, then use a soft lint free cloth to dry.

Hot items should not be placed directly on the furniture surface.

Do not clean furniture with harsh cleaners or polish.

Do not place furniture in direct sunlight or near heating/cooling vents.

To protect the surface, use a pad when writing on top of the furniture.

For indoor residential use, do not place furniture outside.

Children should not climb on furniture.