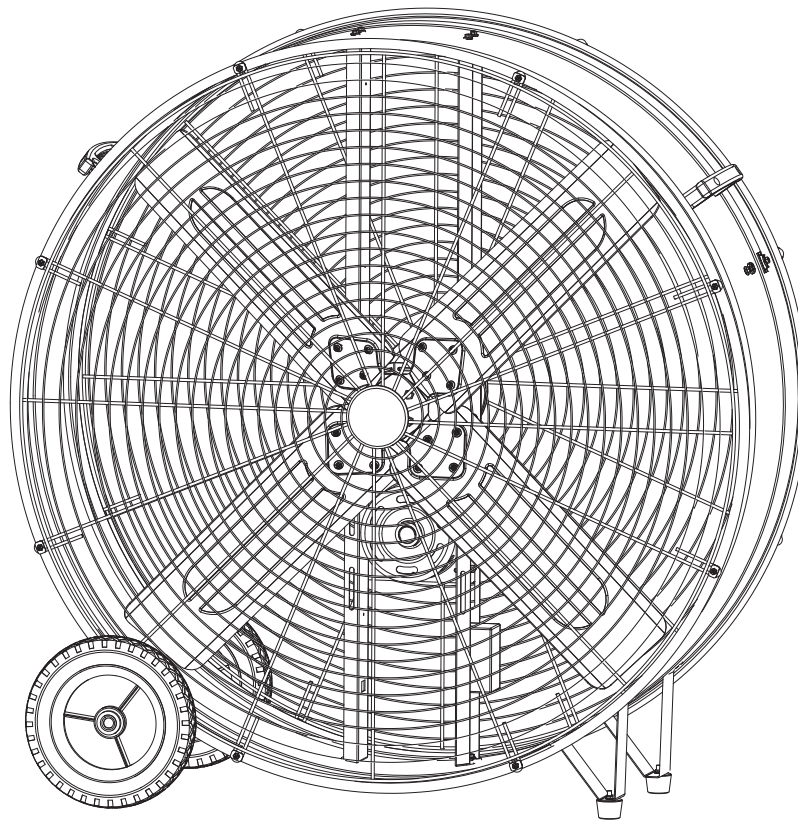


USE AND CARE GUIDE

42 IN. 2-SPEED HEAVY DUTY BELT DRIVE DRUM FAN



Questions, problems, missing parts? Before returning to the store,
call Commercial Electric Customer Service
8 a.m. - 7 p.m., EST, Monday - Friday, 9 a.m. - 6 p.m., EST, Saturday

1-877-527-0313

HOMEDEPOT.COM

THANK YOU

We appreciate the trust and confidence you have placed in Commercial Electric through the purchase of this fan. We strive to continually create quality products designed to enhance your home. Visit us online to see our full line of products available for your home improvement needs. Thank you for choosing Commercial Electric!






Table of Contents




Table of Contents 2
Safety Information 2
Warranty 3
Pre-assembly 3
 Package Contents 3

Assembly 4
Operation 4
Care and Cleaning 5
Maintenance 5

Safety Information

READ AND SAVE THESE INSTRUCTIONS.

-  **WARNING:** Unplug the fan before moving it or performing maintenance. Do not touch the fan when your hands are wet.
-  **WARNING:** Those who are not qualified electricians should not disassemble, repair, or rebuild the fan.
-  **WARNING:** Unplug the fan when it is not in use.
-  **WARNING:** DO NOT unplug the fan by holding the cable cord. Unplug by holding the plug.
-  **WARNING:** DO NOT use the fan when there is damage to the cable cord or plug.
-  **WARNING:** DO NOT use the fan with an extension cord.
-  **WARNING:** DO NOT insert your hand or other objects into the guard or the movable parts.
-  **WARNING:** To reduce the risk of fire or electric shock, do not use this fan with any solid-state speed control device.
-  **WARNING:** DO NOT use the fan close to a fire.
-  **WARNING:** To reduce the risk of fire, electric shock or injury to persons, do not use replacement parts that have not been recommended by the manufacturer (e.g. parts made at home using a 3D printer).

-  **WARNING:** If the supply cord is damaged, it must be replaced by the manufacturer, its service agent or similarly qualified persons in order to avoid a hazard.
-  **WARNING:** DO NOT use this fan outdoors.
-  **CAUTION:** DO NOT immerse the fan in water.
-  **CAUTION:** If you have removed the guard for cleaning, fit the guard back onto the fan before starting up the fan.
-  **CAUTION:** This fan is not intended for use by people (including children) with reduced physical, sensory or mental capabilities, or lack of experience and knowledge, unless they have been given supervision or instruction concerning use of the fan by a person responsible for their safety. Supervise children to ensure they do not play with the fan.

Warranty

The manufacturer warrants this product to be free from manufacturing defects in the material and workmanship under normal use for a period of two years after the date of purchase by the original purchaser.

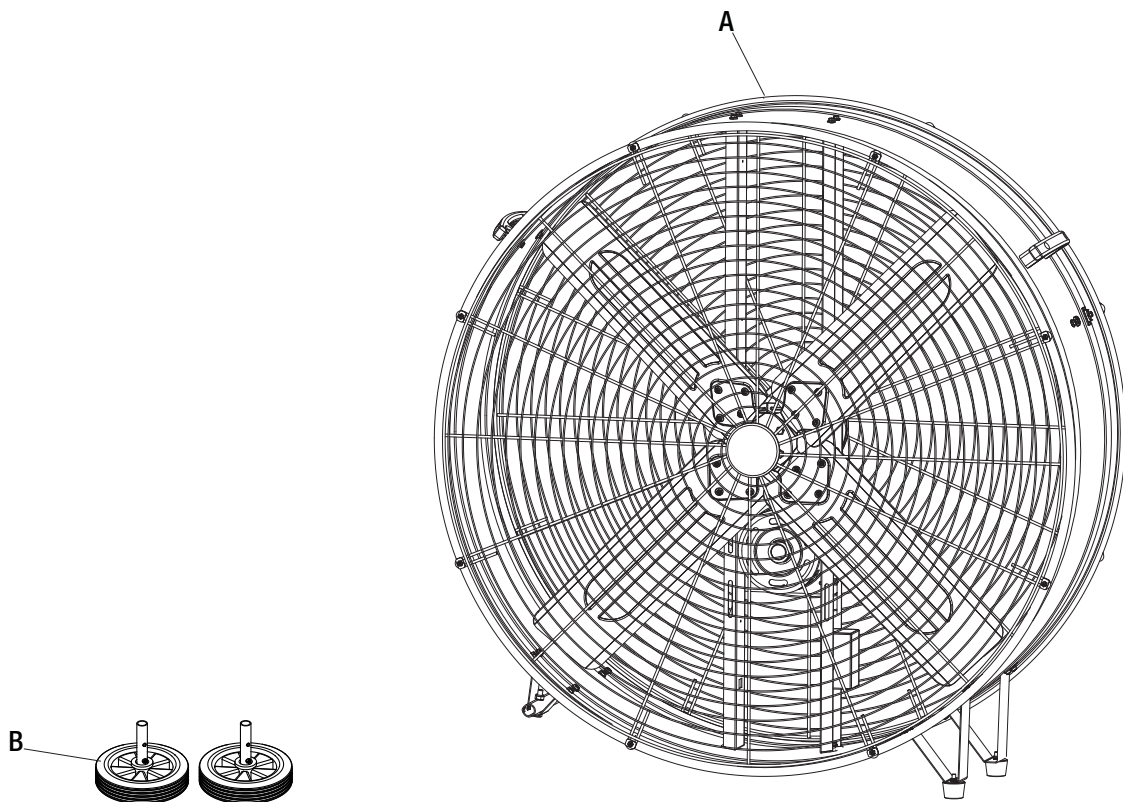
This warranty does not cover transit damages. This warranty does not apply to damages from accident, misuse, alteration of any kind to the fan, or where the connected voltage is more than above the nameplate voltage. This warranty does not apply to the finish on any portion of the product. Servicing performed by unauthorized persons shall render the warranty invalid.

The warranty is not responsible for damages of any kind, including accident and consequential damages. Some states do not allow the exclusion or limitation of the incidental or consequential damages, so the above exclusion or limitation may not apply to you. This warranty gives you specific legal rights, and you may also have other rights which vary from state to state.

For additional questions regarding warranty, contact the Customer Service Team at 1-877-527-0313 or visit www.HomeDepot.com.

Pre-assembly

PACKAGE CONTENTS

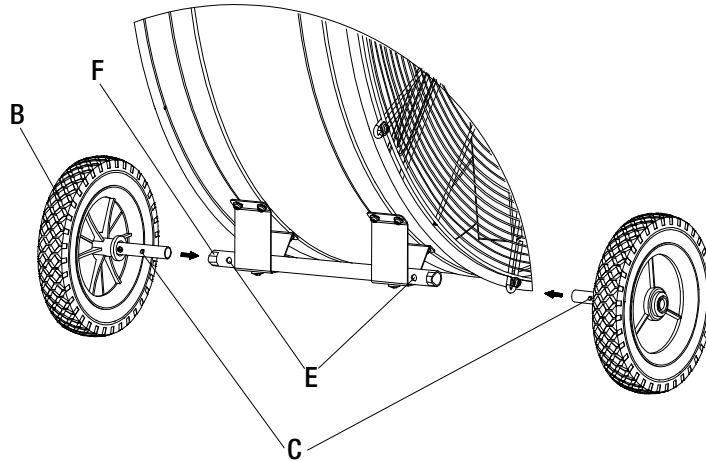


Part	Description	Quantity
A	Fan	1
B	Wheels	1 pair

Assembly

1 Wheel assembly

- Before assembly, make sure the button (C) in the wheel axle aligns with the hole (E) in the fixed shaft (F). Then insert the wheel axle in the wheels (B) onto the fixed shaft (F) until the button pop-up into place in the fixed shaft (F).

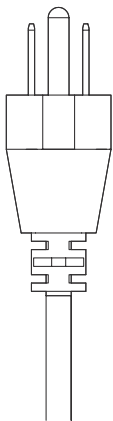


Operation

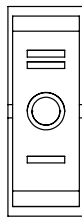
1 Turning the fan On/Off and adjusting the airflow settings

- Plug the power cord into an outlet.
- Turn the switch to the desired speed. The settings are 0 = Off, II = High, and I = Low.

POWER CORD



SWITCH



Maintenance

This fan contains a resettable thermal protector. If the fan stops working as a result of the motor overheating, please wait for several minutes till the motor cools down, and then restart the fan.

Care and Cleaning

- Unplug the fan before cleaning. Do not immerse any portion of the fan in water. Slightly moisten a cloth and then wipe off the surfaces of the fan.
- In order to remove dust from the grill, use a vacuum cleaner or remove the front grill by removing the securing screw on the edge of the grill. After cleaning, remount the grill and secure screw.



Questions, problems, missing parts? Before returning to the store,
call Commercial Electric Customer Service
8 a.m. - 7 p.m., EST, Monday-Friday, 9 a.m. - 6 p.m., EST, Saturday

1-877-527-0313

HOMEDEPOT.COM

Retain this manual for future use.