

1 3/4" W X 6 1/2" D X 9" H THORTON BRACKET

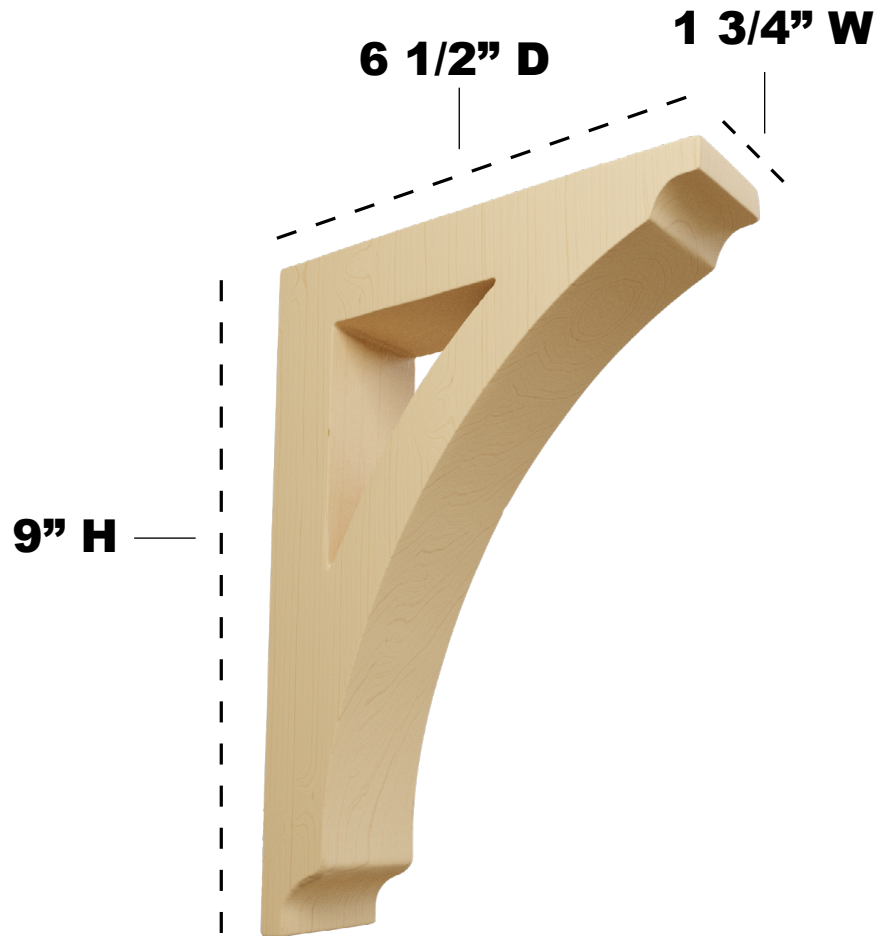
ITEM NO.: BKTW01X06X09TH



FRONT VIEW



PROFILE VIEW



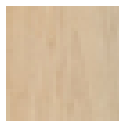
**AVAILABLE
WOOD
SPECIES:**



ALDER



CHERRY



MAPLE



RED OAK



MAHOGANY



WALNUT



RUBBERWOOD



EKENA
MILLWORK

P: 866.607.0453 | F: 866.591.3143

2300 W. Main St. | Clarksville, TX 75426

sales@ekenamillwork.com | www.ekenamillwork.com