

Description

Low noise ceiling mount ventilating fan, light, and heat. Underwriter Laboratories (UL) and Home Ventilating Institute (HVI) certified.

Motor/Blower

- Power Rating of 120 volts / 60Hz.
- DC Brushless motor engineered to run continuously.
- Motor equipped with thermal cutoff fuse.
- Removable with permanently lubricated plug-in motor.

Housing

- Galvanized steel body.
- Detachable 4" diameter duct adapter.
- Built in backdraft damper.
- Easy installation.

Grille

- Attractive design using PBT material.

Light

- GU24 26-watt compact fluorescent lamp included.

Heater

- 1300W heating element shall be evaluated by Underwriter Laboratories and conform to UL safety standards.
- Heater module equipped with thermal cutoff and thermal stat.

Warranty

- 3-year limited warranty.

Feature

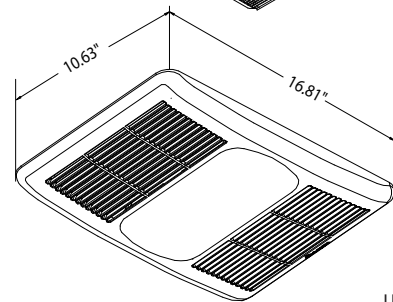
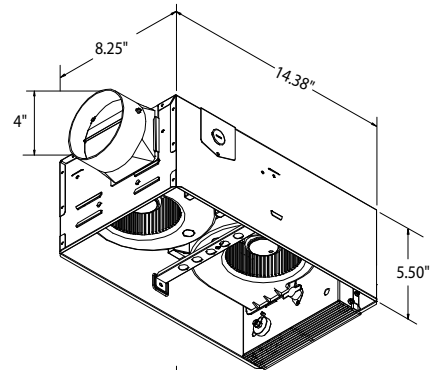
- Built-in thermostat to regulate temperature.
- Metal guard to prevent user contact with heating wire.
- For ceiling mount only, airflow of 80 CFM ($\pm 10\%$) and 1.3 Sones at 0.1 static pressure.
- Power consumption approximately 10.5 Watts with an efficiency rating approximately 7.6 CFM/Watt.
- Duct diameter no less than 4".

DC Motor Technology

- Built in soft start function to increase bearings' life.
- Automatically power OFF when impeller is locked abnormally.

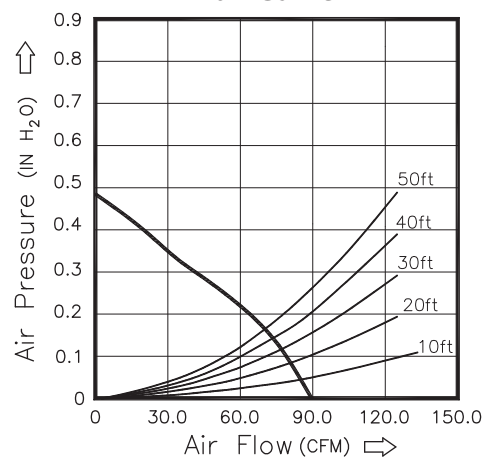
RAD80L	4" Duct (Standard)	
	Static Pressure (inches w.g.)	0.1
Air Flow (CFM)	80	54
Sones	1.3	NA
Power Consumption (Watts)	10.5	8.2
Energy Efficiency (CFM/Watt)	7.6	6.6
Speed (RPM)	1198	1417
Power Rating (V/Hz)	120 / 60	
Heating element (Watts)	1300	
Lamp (Watts)	26	

RAD80L Dimensions



Unit: inch

Fan Curve



Model	Quantity	Comments	Project:
			Location:
			Architect:
			Engineer:
			Contractor:
			Submitted by:
			Date: