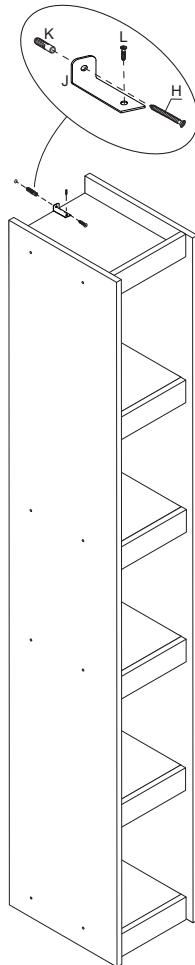
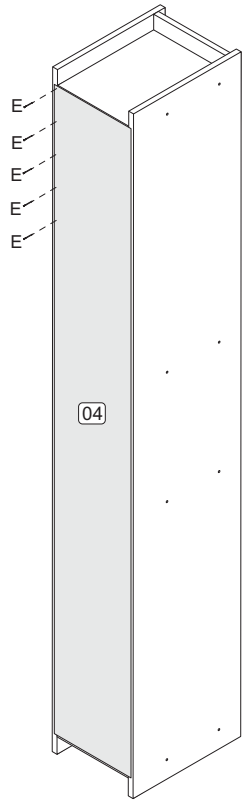
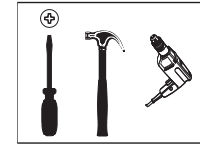


# 30AMC

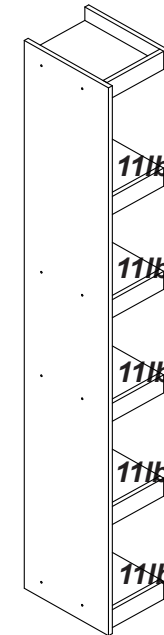
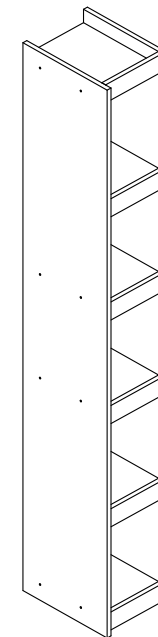
## STEP 5



## STEP 6



Weight capacity



### Accentuations by Manhattan Comfort

Stuck?! Need Help?!






888-230-2225

[help@manhattancomfort.com](mailto:help@manhattancomfort.com)

### Note:

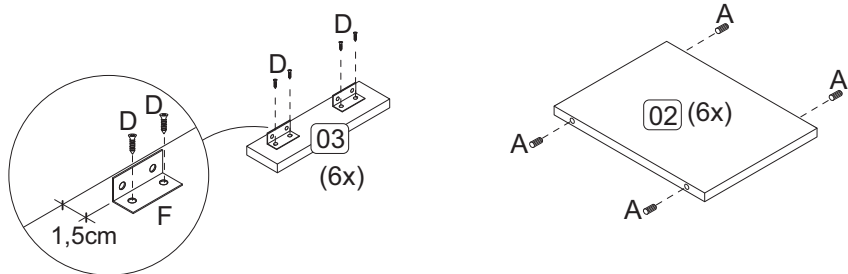
Please read manual details prior to assembly to ensure proper configuration.

Do not use any chemicals or abrasive material when cleaning.

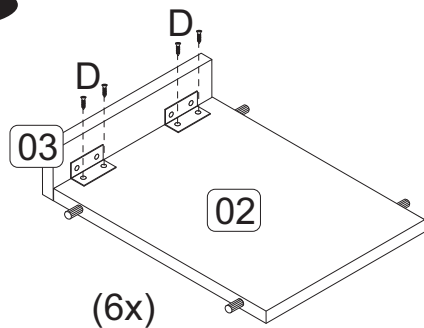
Hardware		QTY.	Hardware	QTY.
A		24	F	12
B		16	G	04
C		16	H	01
D		48	J	01
E		50	K	01
			L	01

CODE	DESCRIPTION	QTY
1-	Right/left side	02
2	Shelf	06
3	Detail	06
4	Back	01

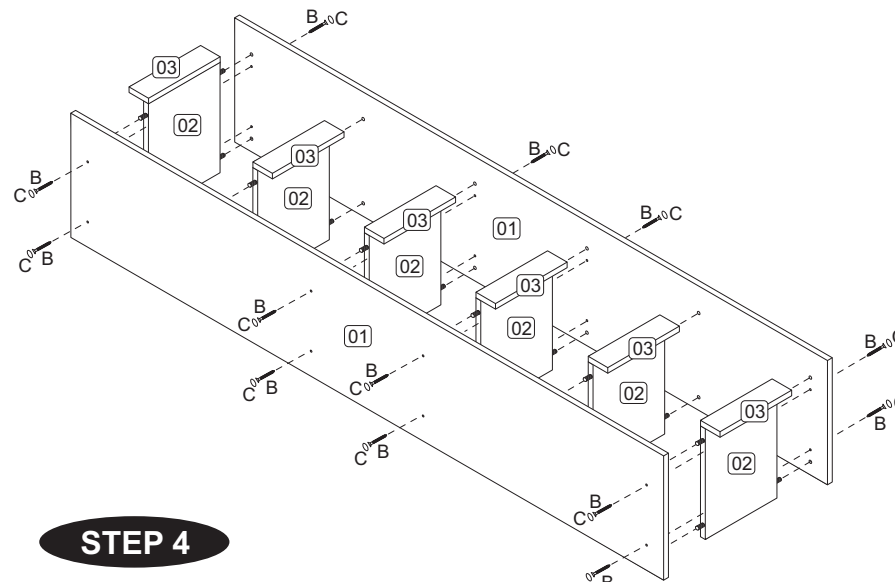
### STEP 1



### STEP 2



### STEP 3



### STEP 4

