



## Medicine Cabinet Joining Kit K-25063

### Features

- Joins together medicine cabinets to increase horizontal size.
- For use with all 26" H Kohler medicine cabinets.
- One kit joins two medicine cabinets.

### Material

- Anodized aluminum construction with a durable rust-free and chip-free finish.

### Installation

- Includes mounting hardware.
- Spacer kit adds incremental width to cabinet size upon joining together. It is recommended to measure incremental space needed prior to installation.

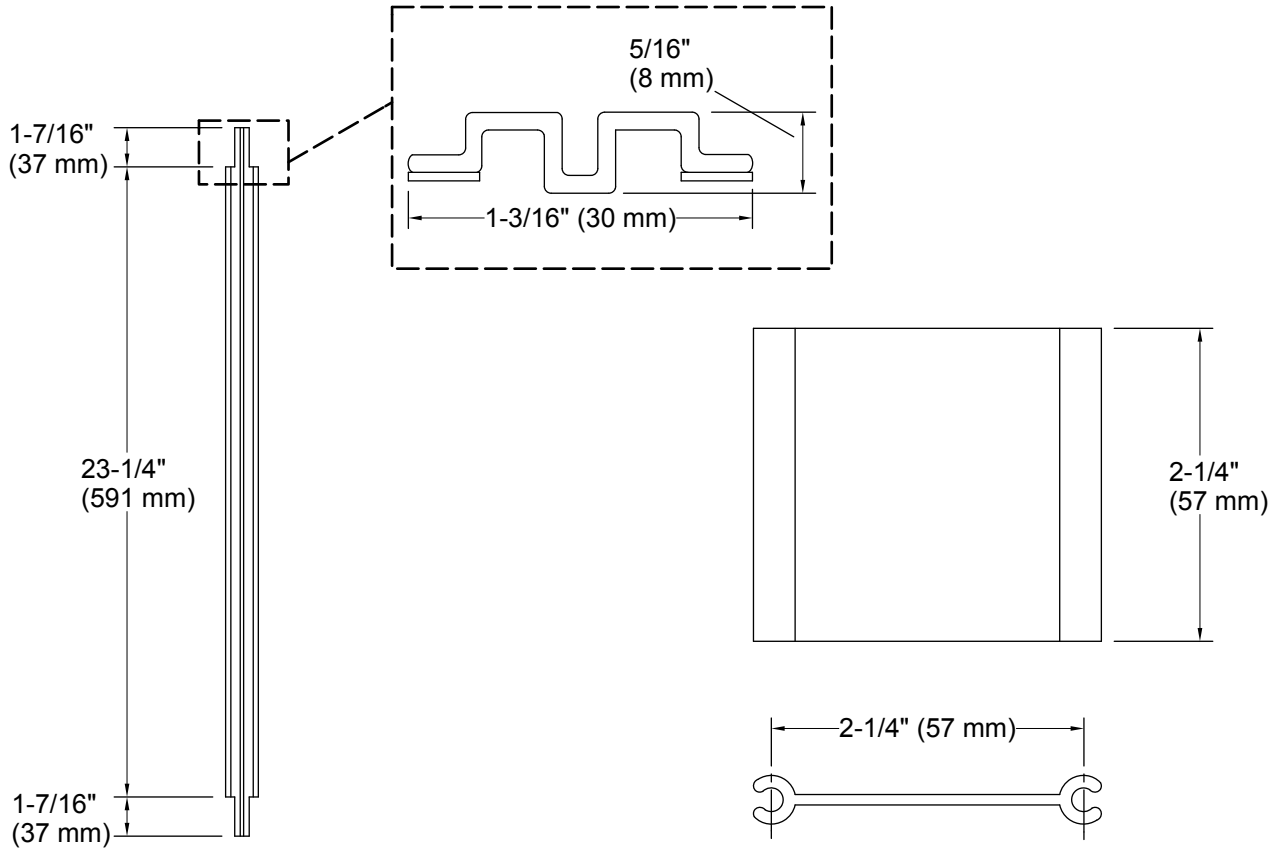


### Codes/Standards

None Applicable

### KOHLER® One-Year Limited Warranty

See website for detailed warranty information.



### Technical Information

All product dimensions are nominal.

### Notes

Install this product according to the installation instructions.