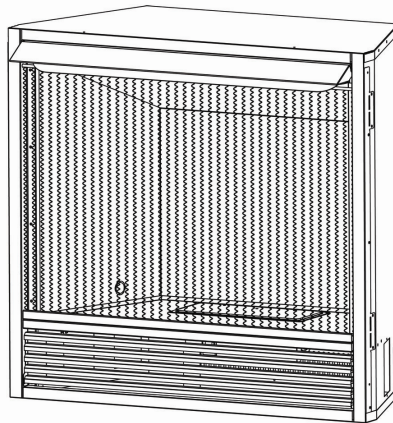




**VENT-FREE GAS FIREBOX**

**Model # PC32VFC & PC36VFC**



** CAUTION – FOR YOUR SAFETY**

** WARNING: IF THE INFORMATION IN THIS MANUAL IS NOT FOLLOWED EXACTLY, A FIRE MAY RESULT CAUSING PROPERTY DAMAGE, PERSONAL INJURY, OR LOSS OF LIFE.**

- Do not store or use gasoline or other flammable vapors and liquids in vicinity of this or any other appliance.

**WHAT TO DO IF YOU SMELL GAS**

- Do not try to light any appliance.
- Do not touch any electrical switch; do not use any phone in your building.
- Immediately call your gas supplier from a neighbor's phone. Follow the gas supplier's instructions.
- If you cannot reach your gas supplier, call the fire department.
- Installation and service must be performed by a qualified installer, service agency or the gas supplier.

**FOR USE ONLY WITH A LISTED GAS-FIRED UNVENTED DECORATIVE ROOM HEATER NOT TO EXCEED 40,000 BTU/HR. DO NOT BUILD A WOOD FIRE.**

**Carefully review the instructions supplied with the decorative type unvented room heater for the minimum fireplace size requirement.  
DO NOT INSTALL AN APPLIANCE IN THIS FIREBOX UNLESS THIS FIREBOX MEETS THE MINIMUM DIMENSIONS REQUIRED FOR THE INSTALLATION.**

**This firebox has been tested and approved under ANSI Z21.91 for use with any ANSI Z21.11.2 approved gas logs.**

**INSTALLER : Leave this manual with the appliance CONSUMER : Retain this manual for future reference**



**Questions about installation, operation, or troubleshooting?** Before returning to your retailer, contact our customer service department at 1-877-886-5989, 8:00 a.m.- 4:30p.m., EST, Monday-Friday or e-mail [customerservice@usaprocom.com](mailto:customerservice@usaprocom.com).

## TABLE OF CONTENTS

Important Safety Information .....	3
Product Feature .....	4
Local Codes .....	4
Locating Firebox .....	5
Installation .....	6
Replacement Parts .....	11
Accessory .....	12

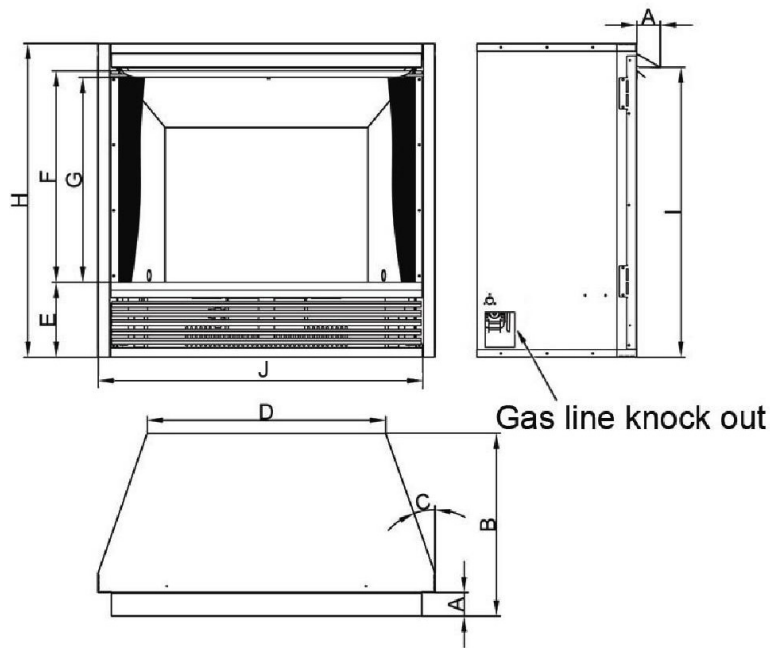
**⚠ WARNING: READ THE INSTALLATION & OPERATION INSTRUCTIONS BEFORE USING THIS APPLIANCE**

**IMPORTANT:** Read instructions and warnings carefully before starting installation. Failure to follow these instructions may result in a possible fire hazard and will void the warranty.

## PRODUCT SPECIFICATIONS

32' and 36" Models

Figure 1




Model	A	B	C	D	E	F	G	H	I	J
PC32VFC	2.381"	18.515"	19°	24.060"	7.567"	21.382"	20.718"	31.732"	29.323"	34.25"
PC36VFC	2.397"	18.870"	25°	28.770"	6.622"	26.740"	25.949"	36.031"	33.630"	42.50"

## IMPORTANT SAFETY INFORMATION

### INSTALLER: DO NOT DISCARD THIS MANUAL – LEAVE FOR HOMEOWNER'S FUTURE REFERENCE.


**IMPORTANT:** Read this owner's manual carefully and completely before trying to assemble, operate, or service this fireplace. Improper use of this fireplace can cause serious injury or death from burns, fire, explosion, electrical shock, and carbon monoxide poisoning.


Only a qualified installer, service agent, or local gas supplier may install and service this product.

 **WARNING:** Do not store or use gasoline or other flammable vapors or liquids in the vicinity of this or any other appliance.

**CARBON MONOXIDE POISONING:** Early signs of carbon monoxide poisoning resemble the flu with headaches, dizziness, or nausea. If you have these signs, the fireplace may not be working properly. Get fresh air immediately! Have fireplace serviced. Some people are more affected by carbon monoxide than others. These include pregnant women, people with heart or lung disease, people who are anemic, those under the influence of alcohol, and those living in high altitudes.

 **WARNING:** Any change to this fireplace or its controls can be dangerous.

 **WARNING:** Do not allow fans to blow directly into fireplace. Avoid any drafts that alter burner flame patterns.

 **WARNING:** Do not use a blower insert, heat exchange insert or other accessory not approved for use with this firebox.

Due to high temperatures, the appliance should be located out of traffic and away from furniture and draperies. Do not place clothing or other flammable material on or near the appliance. Never place any objects in the fireplace. Fireplace becomes very hot when running fireplace. Keep children and adults away from hot surfaces to avoid burns or clothing ignition. Fireplace will remain hot for a time after shutdown. Allow surfaces to cool before touching. Carefully supervise young children when they are in the room with the firebox.

You must operate this fireplace with the fireplace screen and hood if provided, in place. Make sure these parts are in place and screens are closed before running firebox. The supplied hood must not be modified or replaced with a hood that may be provided with an unvented room heater (log set) selected.

## COMBUSTION AND MAKE-UP AIR

Follow the information concerning provisions for adequate combustion and vent located in the unvented room heater's installation instructions.

1. Do not place Propane/LP supply tank(s) inside any structure. Propane/LP supply tank(s) must be placed outdoors.
2. Do not use this firebox as a wood-burning fireplace. Use only decorative unvented room heaters (log set).
3. Keep all air openings in front and bottom of fireplace clear and free of debris. This will ensure enough air for proper combustion.
4. Do not run fireplace:
  - Where flammable liquids or vapors are used or stored.
  - Under dusty conditions.
5. Before using furniture polish, wax, carpet cleaner, or similar products, turn fireplace off. If heated, the vapors from these products may create a white powder residue within burner box or on adjacent walls or furniture.
6. Do not use firebox if it has been under water due to shock hazard that could result with the blower accessory (if installed) in place.
7. Turn firebox off and let cool before servicing. Only a qualified service person should service and repair firebox.
8. Operating firebox above elevations of 4,500 feet could cause pilot outage.
9. To prevent performance problems, do not use propane/LP fuel tank of less than 100 lb. capacity.
10. This firebox should not be installed in a bedroom or bathroom.
11. Do not add extra logs or ornaments such as pine cones, vermiculite, or rock wool. Using these added items can cause sooting. Do not add lava rock around base. Rock and debris could fall into the control area of fireplace. After servicing, always replace screen before operating fireplace.
12. Use only provided hood (See page 8).

#### **QUALIFIED INSTALLING AGENCY**

Only a qualified agency should perform installation and replacement of gas piping, gas utilization equipment or accessories, and repair and servicing of equipment. The term "qualified agency" means any individual, firm, corporation, or company that either in person or through a representative is engaged in and is responsible for:

- a) Installing, testing, or replacing gas piping or
- b) Connecting, installing, testing, repairing, or servicing equipment; that is experienced in such work; that is familiar with all precautions required; and that has complied with all the requirements of the authority having jurisdiction.

## **PRODUCT FEATURES**

### **OPERATION**

This firebox is designed for use with approved ANSI Z21.11.2 decorative type unvented room fireplaces. (Physical size limitations apply. Refer to minimum firebox requirements supplied with log fireplace.) It requires no outside venting or chimney making installation easy and inexpensive. When used without the blower, the firebox requires no electricity making it ideal for emergency backup heat.

### **LOCAL CODES**

Install and use fireplace with care. Follow all codes. In the absence of local codes, use the latest edition of *The National Fuel Gas Code*, ANSI Z223.1, also known as NFPA 54\*.

\*Available from:

American National Standards Institute, Inc.  
1430 Broadway  
New York, NY 10018

National Fire Protection Association, Inc.  
1 Batterymarch Park  
Quincy, MA 02269-9101

This firebox is designed for vent-free operation. State and local codes in some areas prohibit the use of vent-free fireplace.

**State of Massachusetts:** The installation must be made by a licensed plumber or gas fitter in the Commonwealth of Massachusetts. Sellers of unvented propane or natural gas-fired supplemental room fireplaces shall provide to each purchaser a copy of 527 CMR 30 upon sale of the unit.

In the State of Massachusetts, unvented propane or natural gas-fired space fireplaces shall be prohibited in bedrooms and bathrooms.

**In the State of Massachusetts the gas cock must be a T-handle type. The State of Massachusetts requires that a flexible appliance connector cannot exceed three feet in length.**

## LOCATING FIREBOX

### PLANNING

Plan where you will install the firebox. This will save time and money later when you install the firebox. Before installation, consider the following:

1. Where the firebox will be located. Allow for wall and ceiling clearances (see Installation Clearances, page 6).
2. Everything needed to complete installation.
3. These models CANNOT be installed in a bedroom unless the maximum BTU rating of the installed vent-free log set is less than 10,000 Btu/Hr.

### UNPACKING

1. Remove the wrapping film around unit.
2. Remove the top packaging and 4 angle beads.
3. Remove protective plastic wrap.
4. Check for any shipping damage. If firebox is damaged, promptly inform your dealer where you bought the firebox.

### WATER VAPOR: A BY-PRODUCT OF UNVENTED ROOM FIREPLACES

Water vapor is a by-product of gas combustion. An unvented room fireplace produces approximately one (1) ounce (30 mL) of water for every 1,000 BTUs (.3 kw) of gas input per hour. An unvented room fireplace is recommended as a supplemental fireplace (a room) rather than a primary heat source (an entire house). In most supplemental heat applications, the water vapor does not create a problem. In most applications, the water vapor enhances the low humidity atmosphere experienced during cold weather. The following steps will help insure that water vapor does not become a problem:

1. Be sure the fireplace is the proper size for the application, including adequate combustion air and circulation air.
2. If there is high humidity, the dehumidifier may be used to help lower the water vapor content of the air.
3. Do not use an unvented room fireplace as the primary heat source.

## INSTALLATION

**⚠ NOTICE:** This fireplace is intended for use as supplemental heat. Use this fireplace along with your primary heating system. Do not install this fireplace as your primary heat source. If you have a central heating system, you may run system's circulating blower while using fireplace. This will help circulate the heat throughout the house.

**⚠ WARNING:** A qualified technician must install fireplace. Follow all local codes.

**⚠ WARNING:** Never install the fireplace:

- in a bedroom or bathroom
- in a recreational vehicle
- Where curtains, furniture, clothing, or other flammable objects are less than 42 inches from the front, top or sides of the fireplace.
- in high traffic areas
- in windy or drafty areas

**⚠ CAUTION:** This fireplace creates warm air currents. These currents move heat to wall surfaces next to fireplace. Installing fireplace next to vinyl or cloth wall coverings or operating fireplace where impurities (such as tobacco smoke, aromatic candles, cleaning fluids, oil or kerosene lamps, etc.) in the air exist, may cause walls to discolor.

**⚠ WARNING:** Maintain the minimum clearances. If you can, provide greater clearances from floor, ceiling and adjoining side and back walls.

**IMPORTANT:** Vent-free fireplaces add moisture to the air. Although this is beneficial, installing fireplace in rooms without enough ventilation air may cause mildew to form from too much moisture.

### CLEARANCES TO COMBUSTIBLES

Carefully follow the instructions below. This fireplace is a wall mount unit designed to sit directly on the floor or on a mantel base.

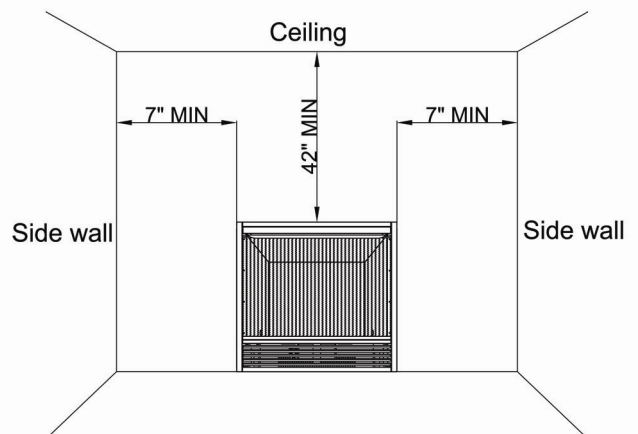
**IMPORTANT:** You must maintain minimum wall and ceiling clearances during installation. The minimum clearances are shown in Figure 1. Measure from outermost point of fireplace.

### Minimum Wall and Ceiling Clearances (see Figure 1)

- Clearances from outermost point of fireplace to any combustible side wall should not be less than 7 inches.
- Clearances from the fireplace to the ceiling should not be less than 42 inches.

**⚠ WARNING:** Do not pack required air spaces with insulation or other materials.

Figure 1 – Minimum Clearance to Wall and Ceiling



**NOTE:** When firebox is installed directly on carpeting, tile or other combustible material, other than wood flooring, the firebox must be installed on a metal or wood panel extending the full width and depth of the fireplace.

**BUILT-IN FIREPLACE INSTALLATION**

Built-in installation of this firebox involves installing firebox into a framed-in enclosure. This makes the front of the fireplace flush with wall. If installing a built-in mantel above the fireplace, you must follow the clearances shown in Figure 2. Follow the instructions.

**NOTICE:** Surface temperatures of adjacent walls and mantels become hot during operation. Walls and mantels above the firebox may become hot to the touch. If installed properly, these temperatures meet the requirement of the national product standard. Follow all minimum clearances shown in this manual. See Figure 4.

1. Frame in rough opening. Use dimensions shown in Figure 3 for the rough opening. If installing in a corner, use dimensions shown in Figure 8 for the rough opening.
2. Carefully set firebox in front of rough opening with back of fireplace inside wall opening.
3. Install gas piping to firebox location. See Installing Gas Line, on page 9 and Connecting to Gas Supply in log set owner's manual.

Figure 2 – Clearance to Combustibles

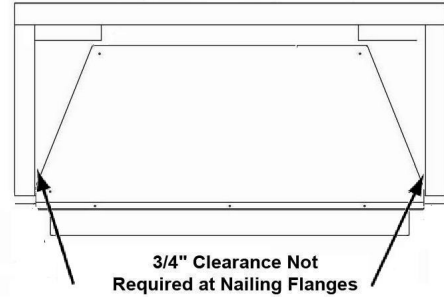


Figure 3 - Rough Opening for Installing in Wall

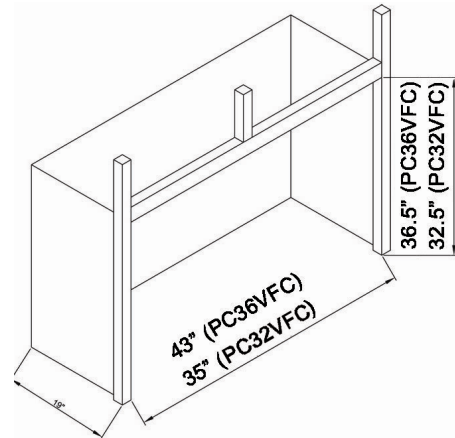
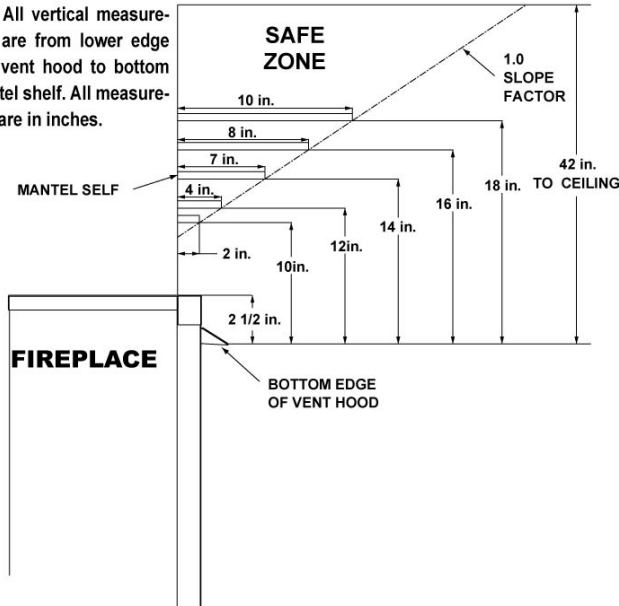


Figure 4

**NOTE:** All vertical measurements are from lower edge of the vent hood to bottom of mantel shelf. All measurements are in inches.



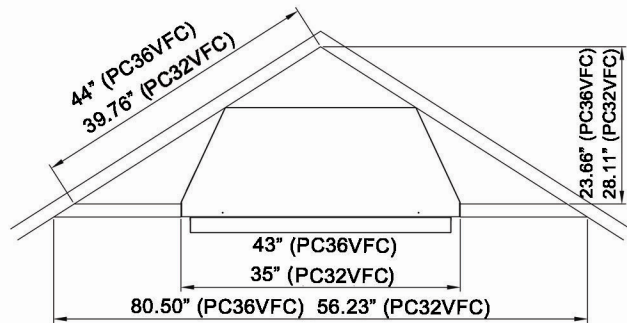
**IMPORTANT:** When finishing your firebox, Combustible materials such as plywood and wood framing must have 3/4 -in. clearance to the sides and top of the firebox. Combustible materials should never overlap the firebox front facing. Non-combustible materials such as wall board, gypsum board, sheet rock may be placed at 0 in. clearance to the sides and top of the firebox.

**⚠ WARNING:** Do not allow any combustible materials to overlap the firebox front facing.

**⚠ WARNING:** Do not allow combustible or noncombustible materials to cover any necessary openings like louvered slots.

**⚠ WARNING:** Never modify or cover the louvered slots on the front of the firebox.

Figure 5 - Rough Opening for Installing in Corner



## Assembling Hood

**⚠ CAUTION:** Do not operate fireplace without hood in place.

Aim three holes on firebox panel at those on heat insulation board; fix the firebox with screws pre-set on its board by directly inserting screwdriver into holes on top firebox panel. (Please see Figure 6A )

Aim three holes on firebox panel at those on outer firebox top; fix the firebox with screws pre-set on its board by directly inserting screwdriver into holes on top firebox panel and insulation board. (Please see Figure 6B )

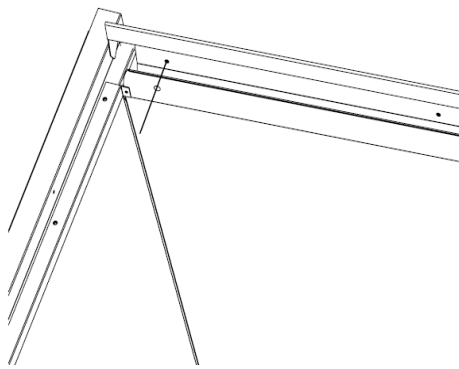


Figure 6A For PC32VFC

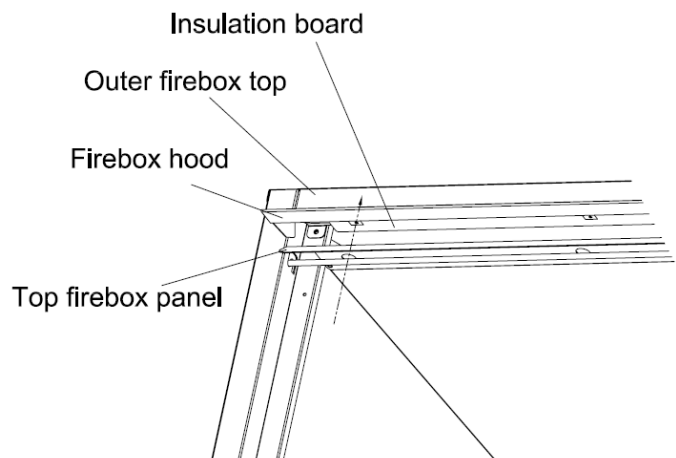


Figure 6B For PC36VFC

## INSTALLING FIREBOX USING OPTIONAL ACCESSORY MANTELS

**⚠ WARNING:** A qualified service person must install firebox. Follow all local codes.

This firebox may be installed using a cabinet mantel accessory against a wall in your home. The firebox and cabinet mantel can be installed directly on the floor. Follow instructions with mantel for installation.



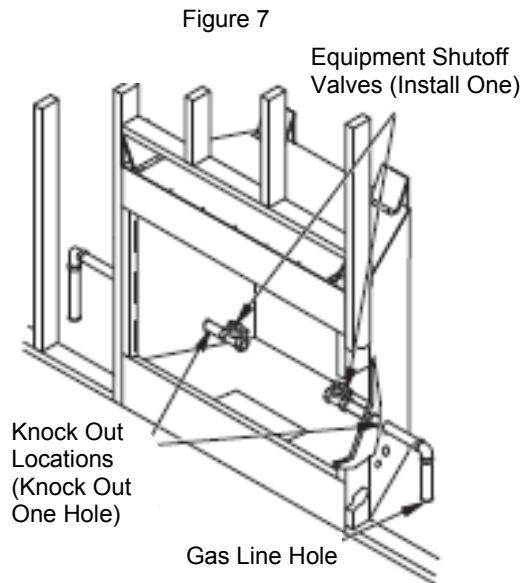
## INSTALLING GAS LINE

**NOTE:** A qualified service person must connect heater to gas supply. Follow all local codes.

**IMPORTANT:** See Connecting to Gas Supply in your log set owner's manual for details on gas hookup.

You may run the gas line from either side of the firebox (see Figure 7). Decide which side you want to run the gas line from.

**Note:** This is one option for installing shutoff valve. Check local codes for equipment shutoff valve location requirements.



## OPTIONAL BLOWER

This model can accept the optional blower and model number is FIB100.

If you plan to install or use the optional blower, a 120V AC with proper grounding electrical connection must be provided at time of installation.

**NOTE:** A qualified electrician must connect electrical wiring to duplex outlet for built-in installation. Follow all local codes. In absence of local codes follow The National Electric Code ANSI/NFPA 70.

## **REPLACEMENT PARTS**

**NOTE:** Use only original replacement parts. This will protect your warranty coverage for parts replaced under warranty.

### **PARTS UNDER WARRANTY**

Contact authorized dealers of this product. If they can't supply original replacement parts, call Customer Service toll free at (1-877-886-5989) for referral information.

When calling Customer Service or your dealer, have ready:

- Your name
- Your address
- Model and serial number of your fireplace
- How fireplace was malfunctioning
- Purchase date
- Usually, we will ask you to return the defective part to the factory

### **PARTS NOT UNDER WARRANTY**

Contact authorized dealers of this product. If they can't supply original replacement part(s) call Customer Service toll free at (1-877-886-5989) for referral information.

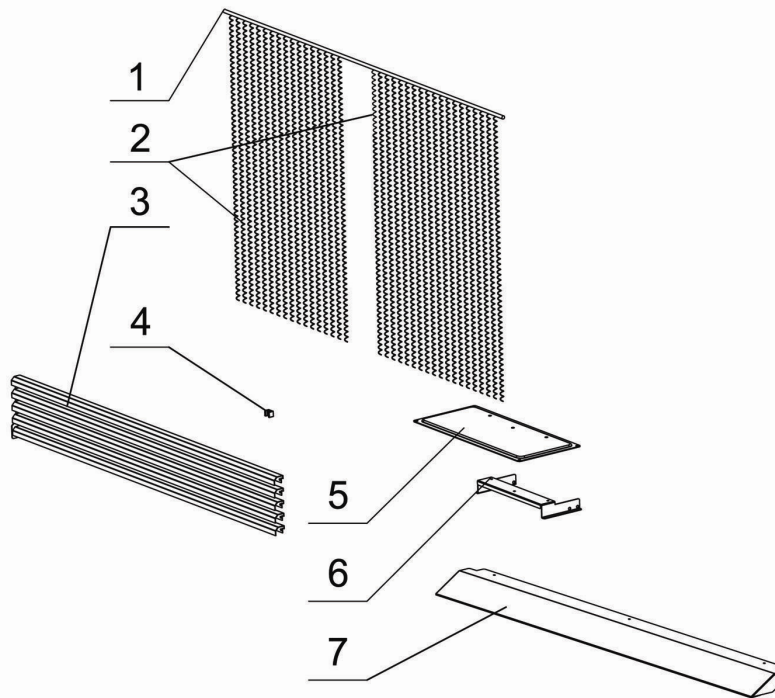
When calling Customer Service have ready:

- Model number of your fireplace
- The replacement part number

## PARTS LIST

This list contains replaceable parts used in your firebox. When ordering parts, follow the instructions listed under Replacement Parts on 10 of this manual.

Part	Description	Part #	QTY
1	Screen Rod	PC32VFC-132 (PC32VFC)	1
		PC36VFC-132 (PC36VFC)	1
2	Draw Screen	PC32VFC-131 (PC32VFC)	2
		PC36VFC-131 (PC36VFC)	2
3	Louver Assembly	PC32VFC-000B (PC32VFC)	1
		PC36VFC-120B (PC36VFC)	1
4	Magnet	FE32A155B	1
5	Blower Fixing Panel	PC32VFC-127	1
6	Blower Bracket	PC32VFC-126	1
7	Hood	FBD32D201	1
		PC36VFC-117	1

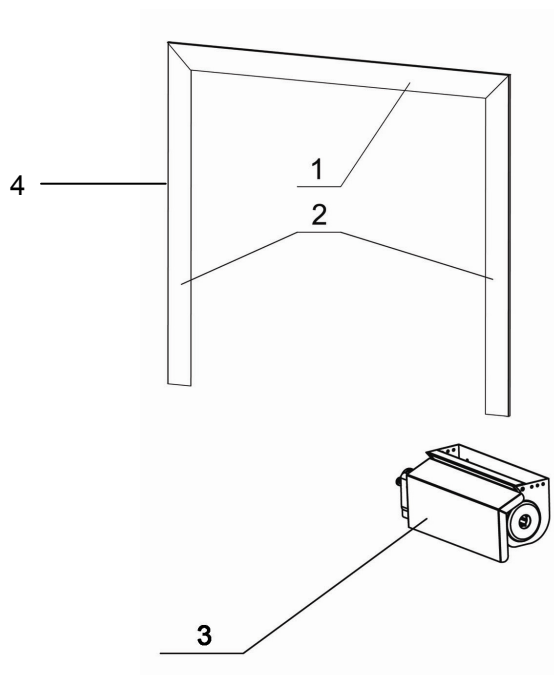


## OPTIONAL ACCESSORY

Part	Description	Part #	QTY	
			PC32VFC	PC36VFC
1	Top Trim	FB32D104	1	
2	Left/Right Trim	FB32D121	2	
3	Blower Assembly	FIB100	1	1
4	Trim Kit	TK32-100B	1	

### BLOWER (OPTIONAL ACCESSORY)

Refer to model FIB100 manual.



## **WARRANTY INFORMATION**

### **Keep This Warranty**

**IMPORTANT:** We urge you to fill your warranty registration card within TEN (10) days of date of installation, complete with the entire serial number which can be found on the rating plate. Retain this portion of the card for your record. Always specify model and serial numbers when communicating with customer service.

We reserve the right to amend these specifications at any time without notice. The only warranty applicable is our standard written warranty. We make no other warranty, expressed or implied.

#### **LIMITED WARRANTY:**

PRO-COM warrants this product to be free from defects in materials and components for TWO (2) years from the date of first purchase, provided that the product has been properly installed, operated and maintained in accordance with all applicable instructions, to make a claim under this warranty, the Bill of Sale or cancelled check must be presented.

#### **RESPONSIBILITY OF OWNER**

This warranty is extended only to the original retail purchaser. This warranty covers the cost of part(s) required to restore this heater to proper operating condition and an allowance for labor when provided by a PRO-COM Authorized Service Center. Warranty part(s) MUST be obtained through authorized dealers of this product and/or PRO-COM who will provide original factory replacement parts. Failure to use original factory replacement parts voids this warranty. The heater MUST be installed by a qualified installer in accordance with all local codes and instructions furnished with the unit.

#### **WHAT IS NOT COVERED**

This warranty does not apply to parts that are not in original condition because of normal wear and tear or parts that fail or become damaged as a result of misuse, accidents, lack of proper maintenance or defects caused by improper installation. Travel, diagnostic cost, labor, transportation and any and all such other costs related to repairing a defective heater will be the responsibility of the owner.

TO THE FULL EXTENT ALLOWED BY THE LAW OF THE JURISDICTION THAT GOVERNS THE SALE OF THE PRODUCT, THIS EXPRESS WARRANTY EXCLUDES ANY AND ALL OTHER EXPRESSED WARRANTIES AND LIMITS THE DURATION OF ANY AND ALL IMPLIED WARRANTIES. INCLUDING WARRANTIES OF MERCHANTABILITY AND FITNESS FOR A PARTICULAR PURPOSE TO TWO (2) YEARS ON ALL COMPONENTS FROM THE DATE OF FIRST PURCHASE. PRO-COM'S LIABILITY IS HEREBY LIMITED TO THE PURCHASE PRICE OF THE PRODUCT AND PRO-COM SHALL NOT BE LIABLE FOR ANY OTHER DAMAGES WHATSOEVER INCLUDING INDIRECT, INCIDENTAL OR CONSEQUENTIAL DAMAGES.

Some states do not allow a limitation on how long an implied warranty lasts or an exclusion or limitation of accidental or consequential damages, the above limitation on implied warranties, or exclusion or limitation on damages may not apply to you.

This warranty gives you specific legal right, and you may also have other rights that vary from state to state.

Printed in China