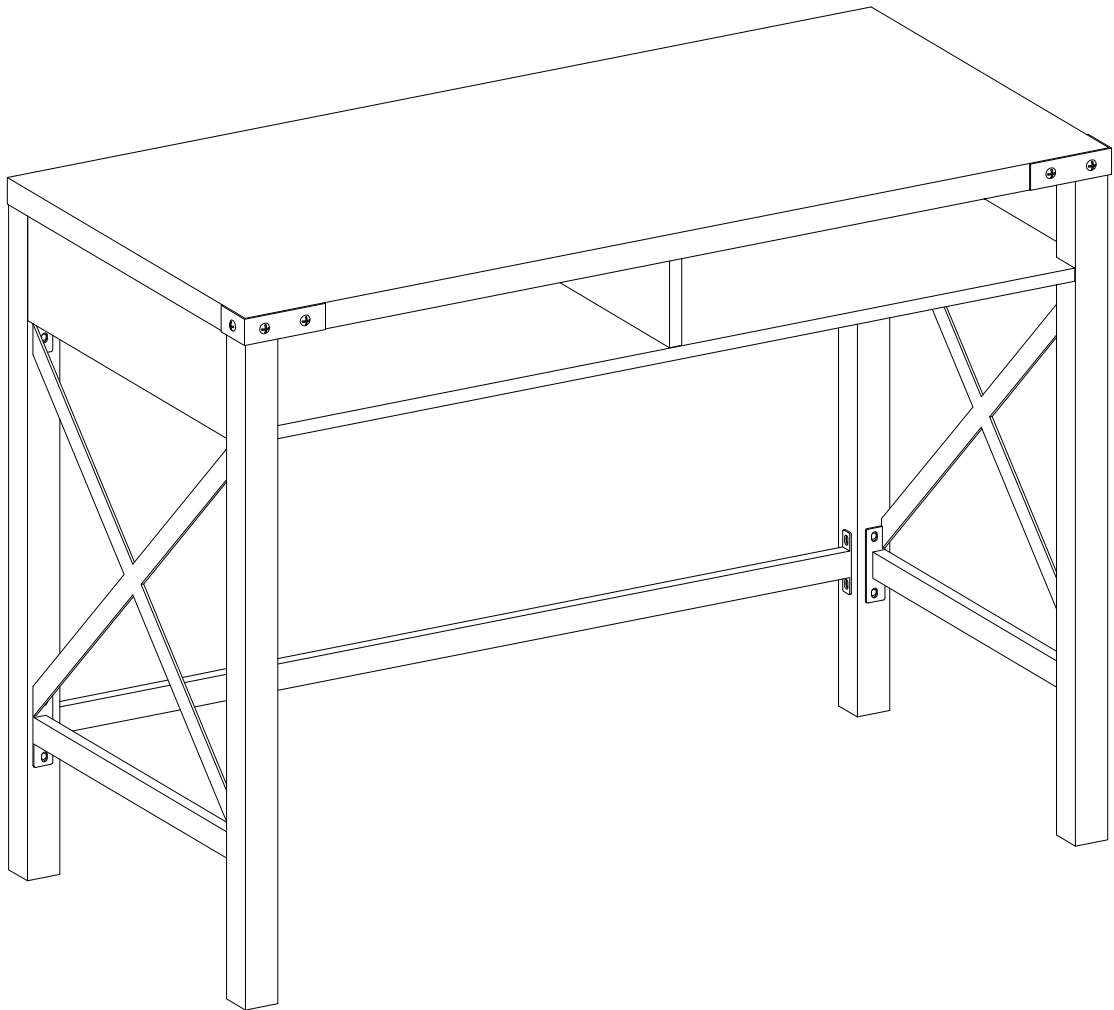


Item # : D42MX

Assembly Instructions



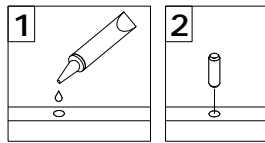
Walker Edison®

Please visit our website for the most current instructions, assembly tips, report damage, or request parts. www.walkeredison.com

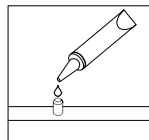
Revised 26/02/2019 (E)

General Assembly Guidelines

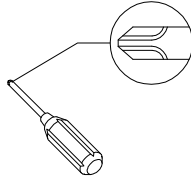
- I. Ensure that all parts and hardware are available before beginning assembly.
- II. Follow each step carefully to ensure the proper assembly of this product.
- III. Two people are recommended for ease in the assembly of this product.
- IV. The three main types of hardware used to assemble this product are : wood dowels , screws and bolts.
- V. The provided glue is to secure wood dowels in place . When first inserting dowels , locate the appropriate hole for the dowel , place a small amount of glue in the hole and insert the dowel . Wipe away excess glue immediately.



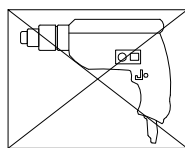
In future assembly steps when dowels are necessary to attach assembly parts together , place a small amount of glue on the end of the dowel before attaching parts together . Wipe away excess glue immediately.



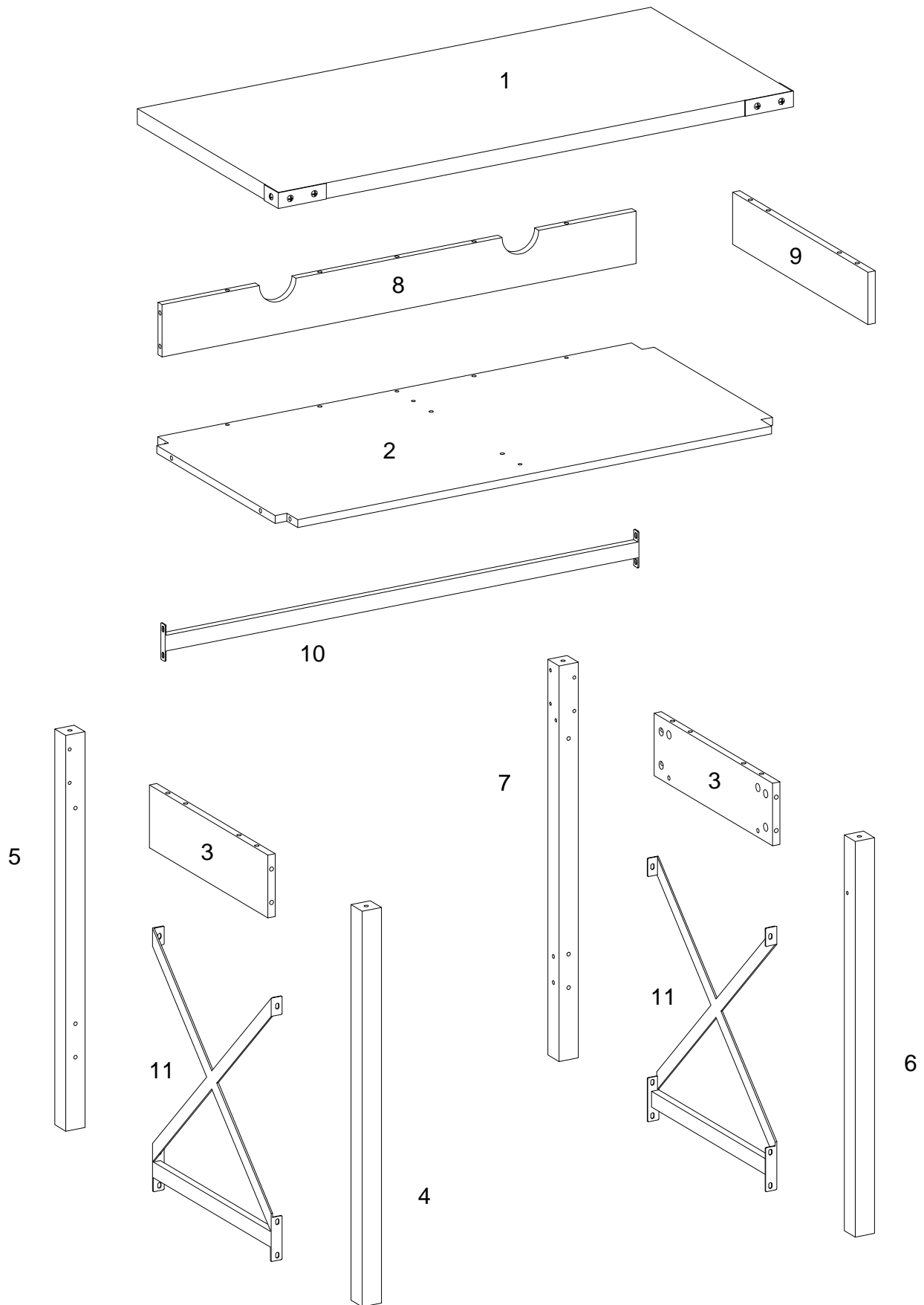
- VI. A Phillips head screwdriver is required for the assembly of this product .




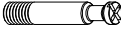


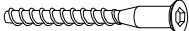
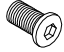

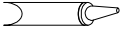
- VII. Power tools should not be used to assemble this product .

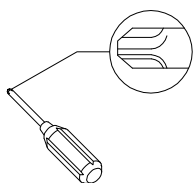


Parts List



Hardware List

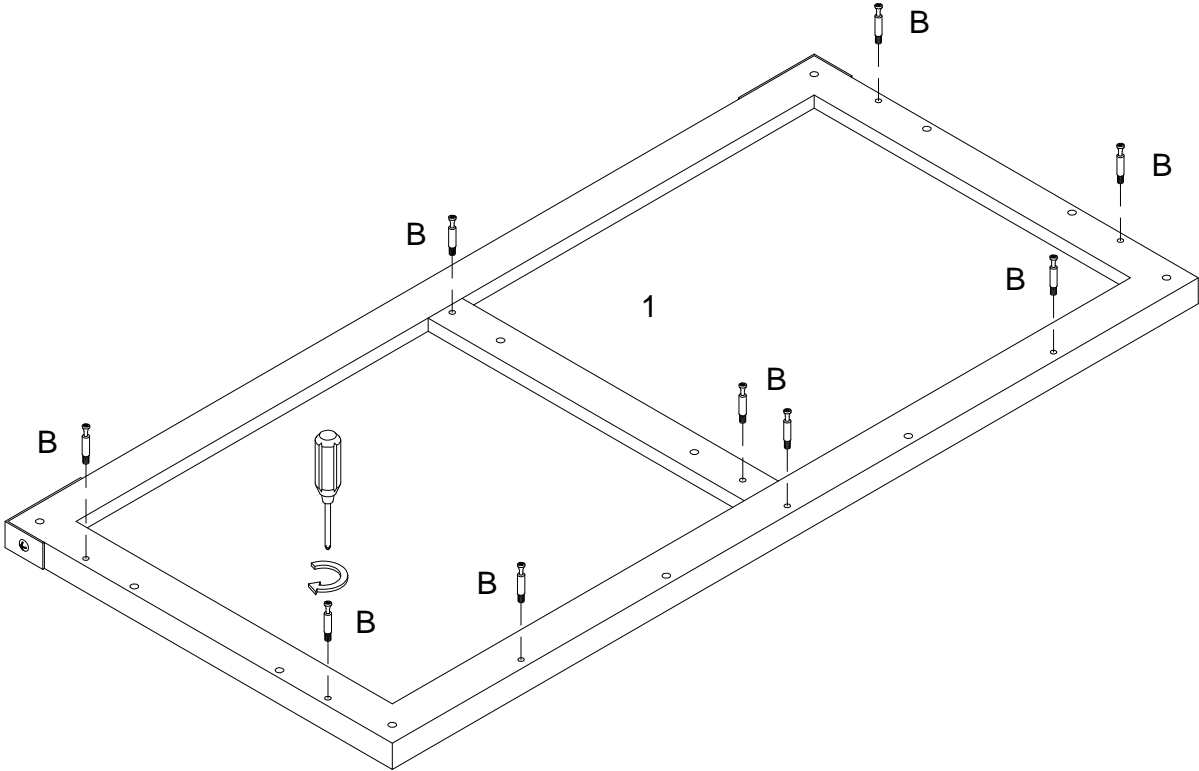
A		Ø8x30mm	Wooden dowel	20 pcs
B		Ø6x35mm	Cam bolt	25 pcs
C		Ø15x11mm	Cam lock	25 pcs
D		Ø30mm	Sticker	25 pcs
E		Ø6x50mm	Screw	5 pcs
F		M6x12mm	Bolt	16 pcs
G		M 4	Hex Key	1 pc
H			Glue tube	1 pc



Philips head screwdriver required for assembly
(not included)

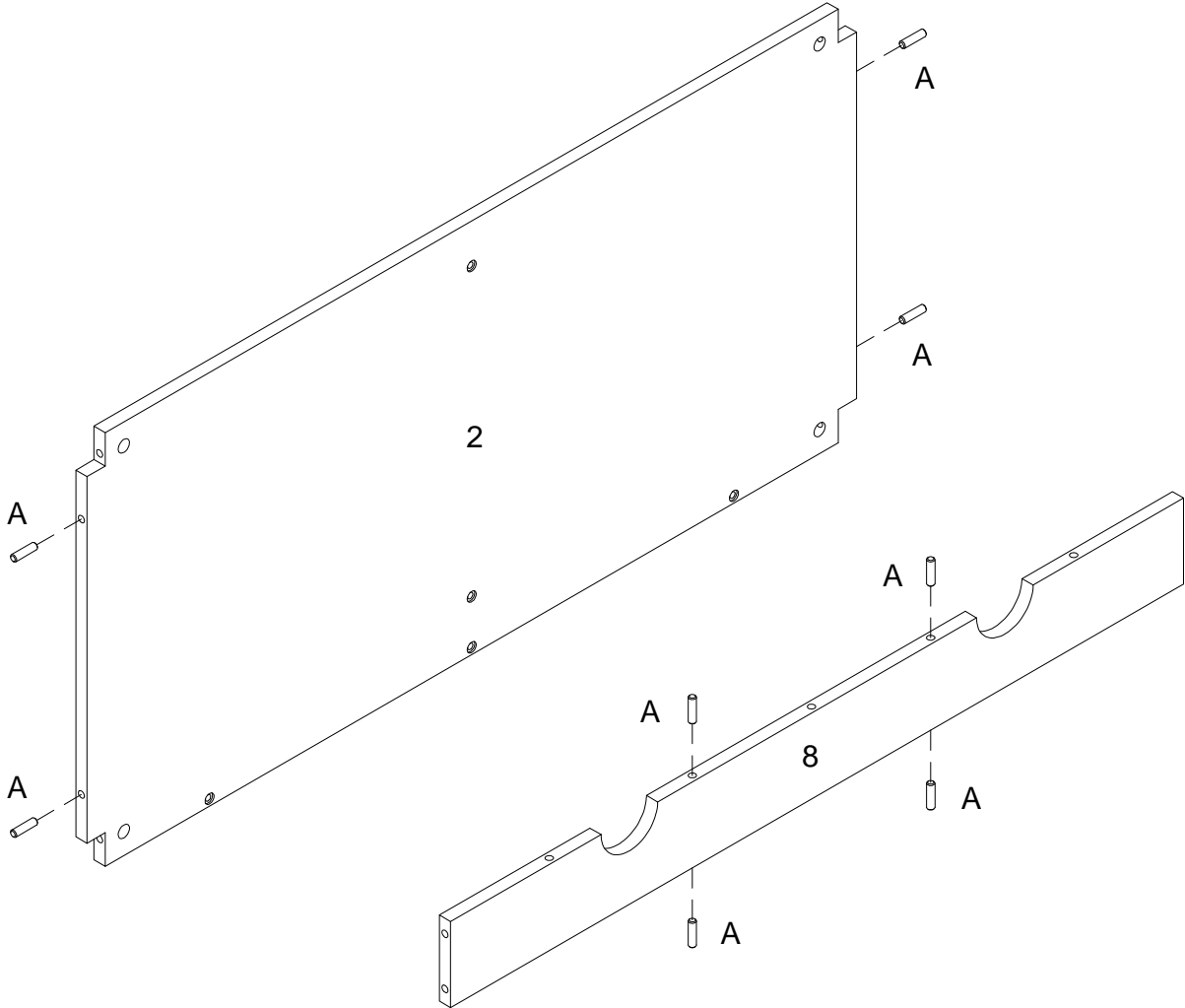
*The hardware quantities listed above are required for proper assembly.
Some extra hardware may also have been included.*

Step 1



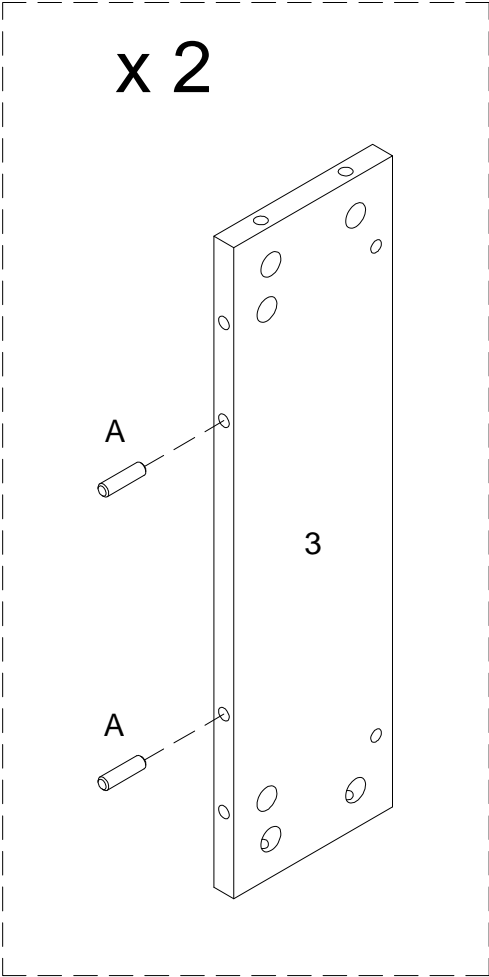
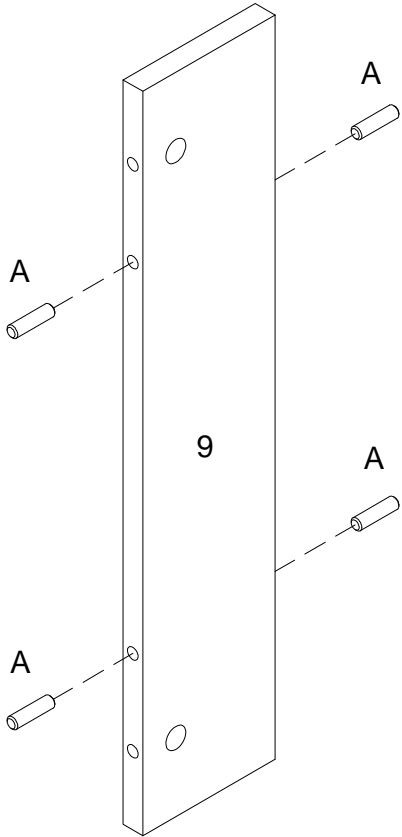
Insert cam bolt (B) onto part (1) secure with Philips head screwdriver.

Step 2



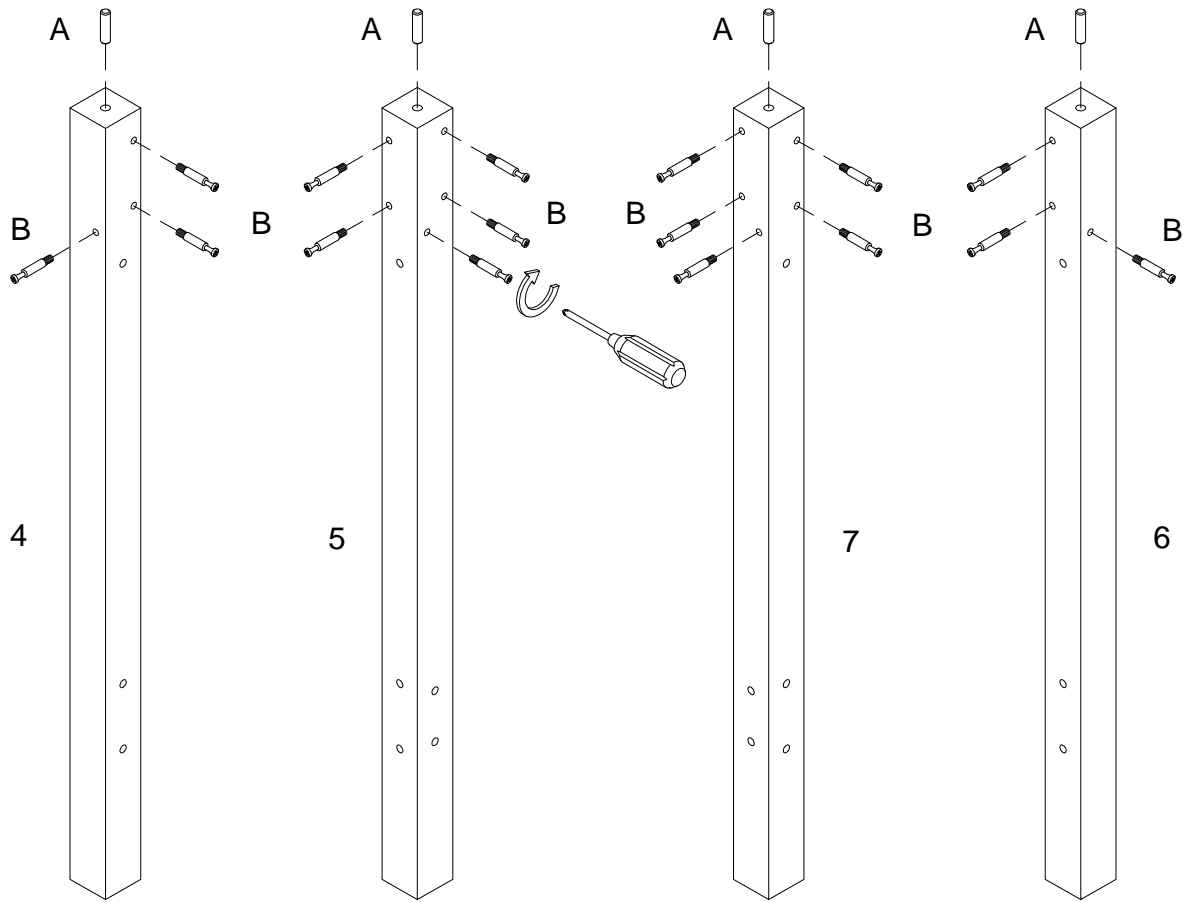
Insert wooden dowel (A) to part (2,8) as per diagram.

Step 3



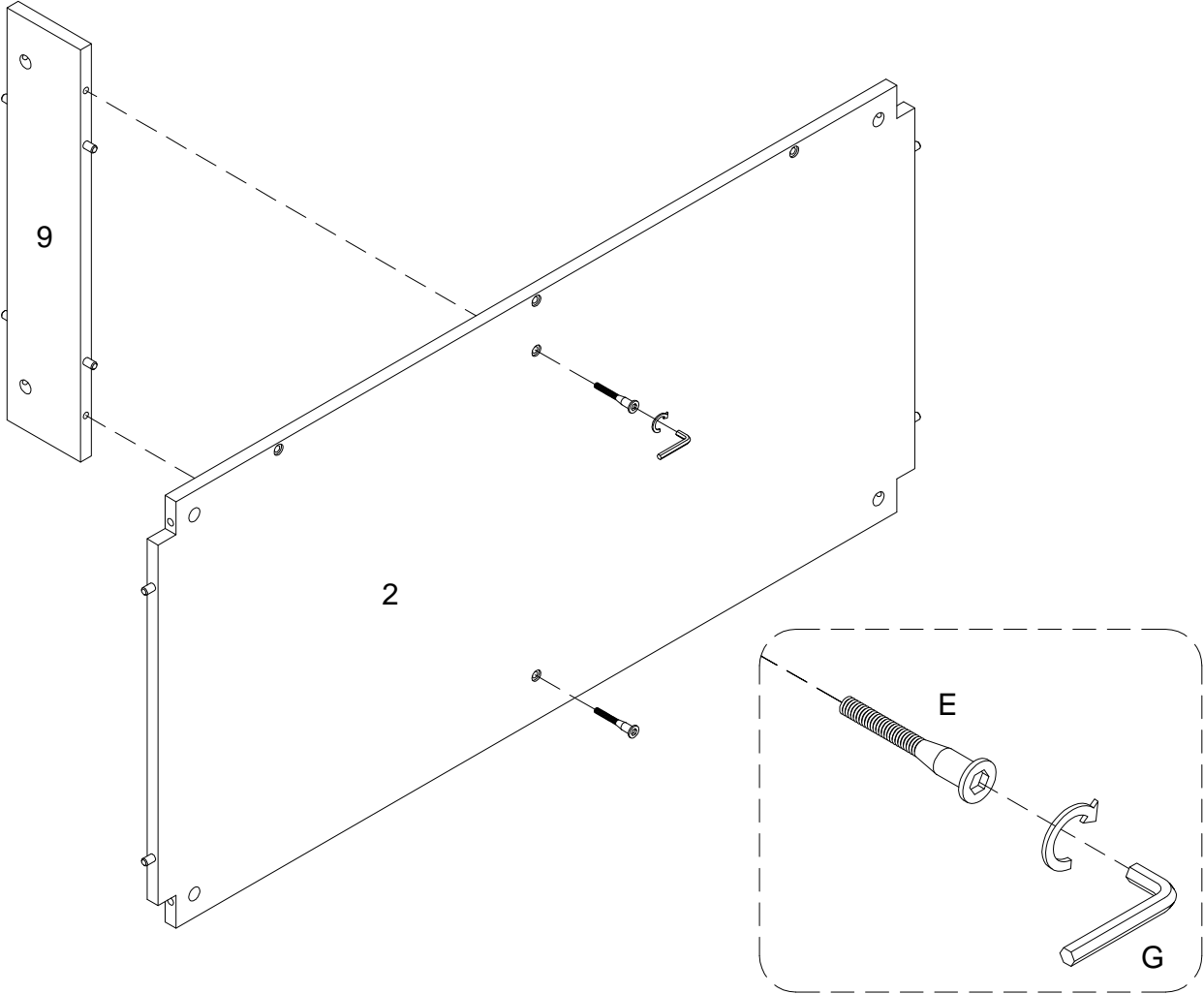
Insert wooden dowel (A) to part (3,9) per diagram.

Step 4



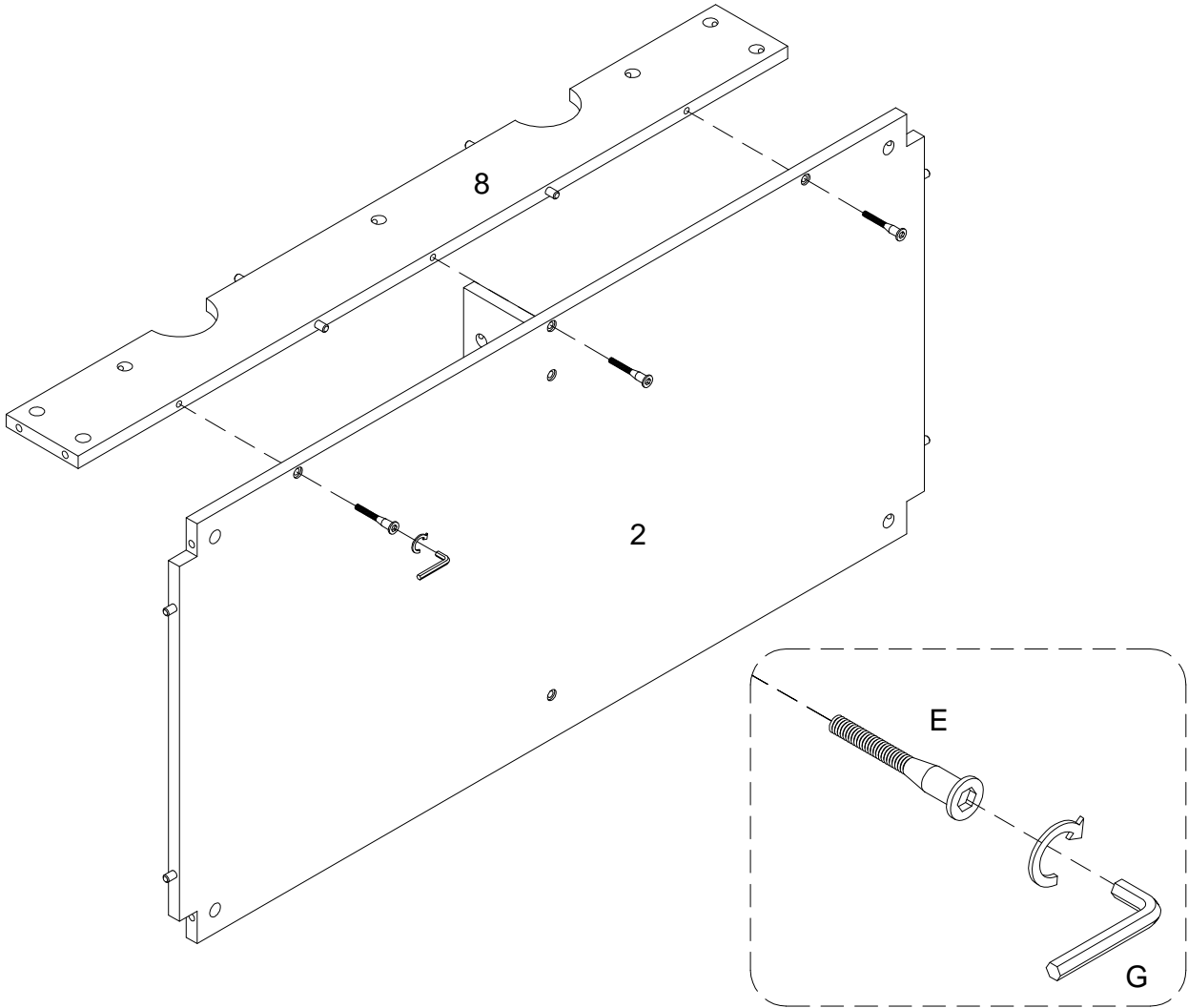
Insert wooden dowel (A) to part (4,5,6,7),and insert cam bolt (B) to part (4,5,6,7) secure with Philip head screwdriver as per diagram.

Step 5



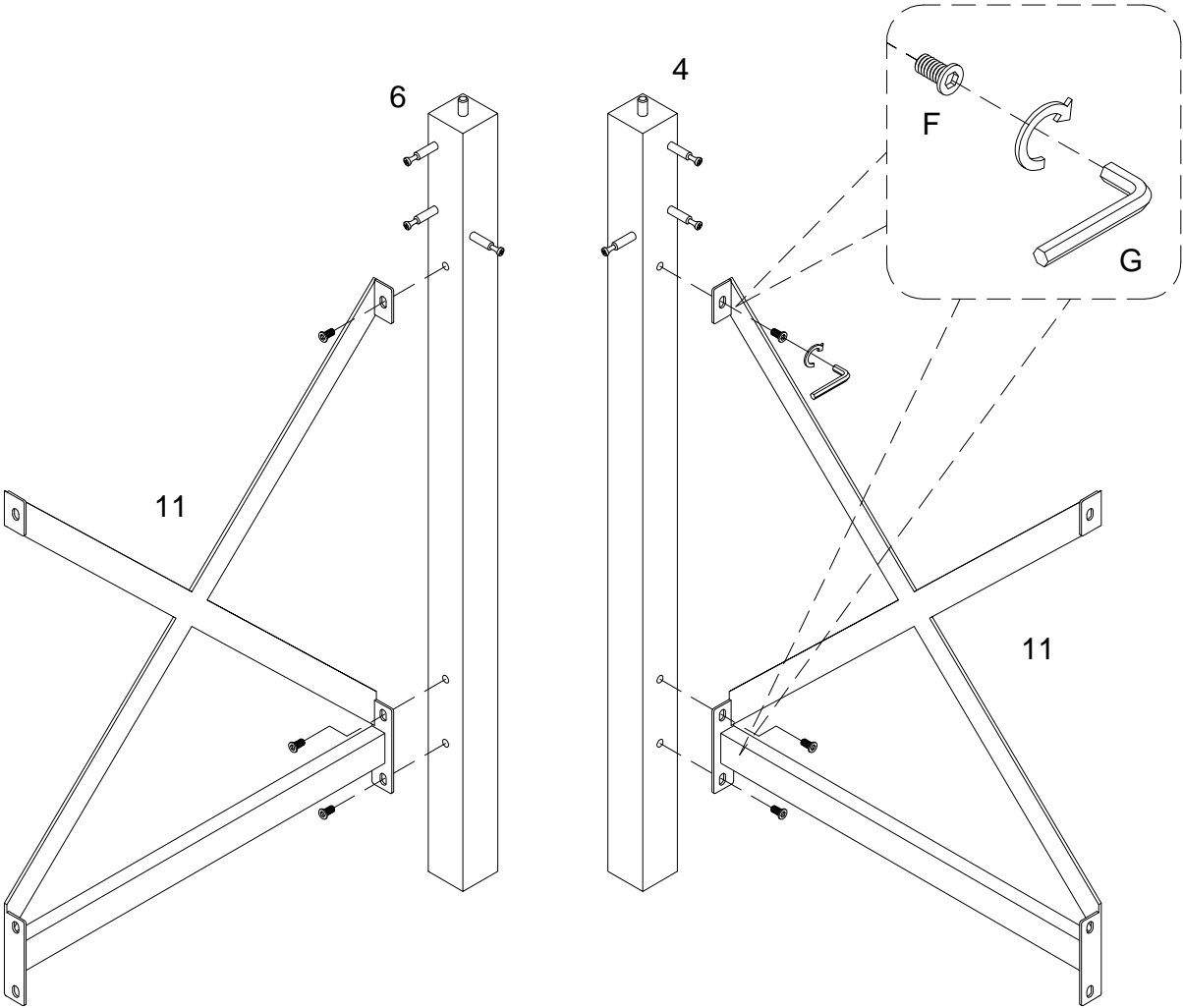
Attach part (2) onto part(9),insert bolt (E) secure with hex key (G)per diagram.

Step 6



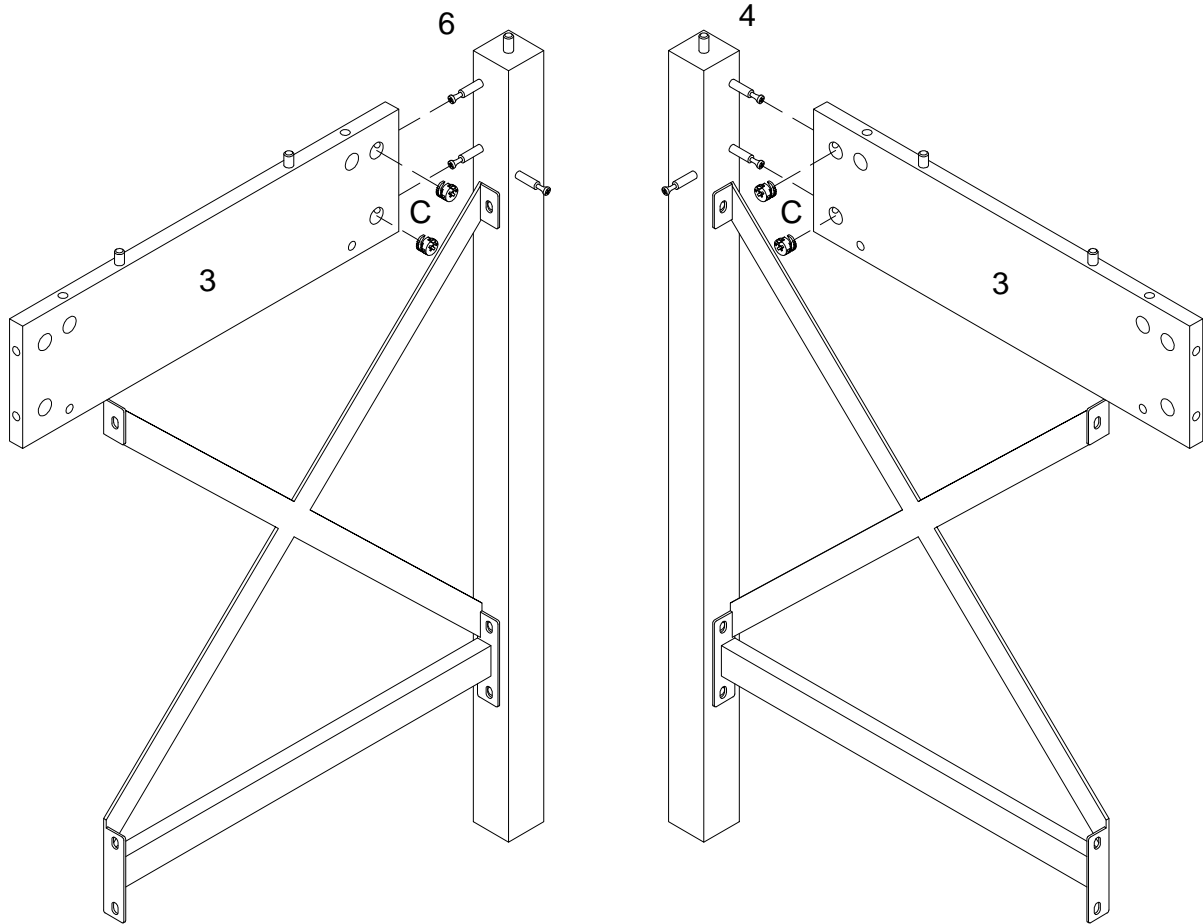
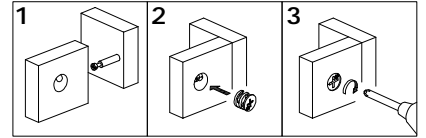
Using bolt (E) attach part (8) onto part (2) to secure with hex key (G) per diagram.

Step 7



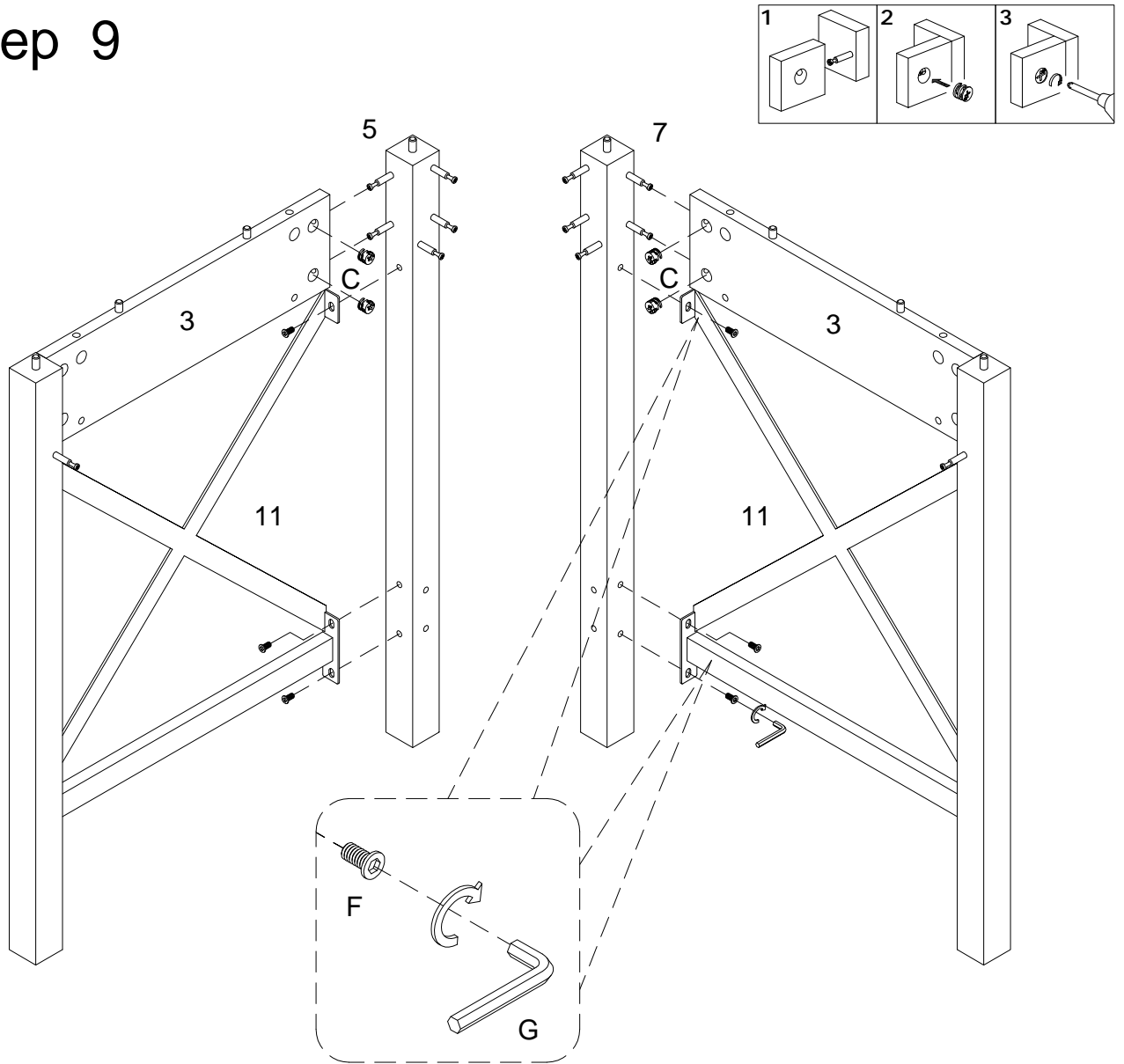
Attach part (11) onto part (4,6) , insert bolt (F) to secure with hex key (G) per diagram.

Step 8



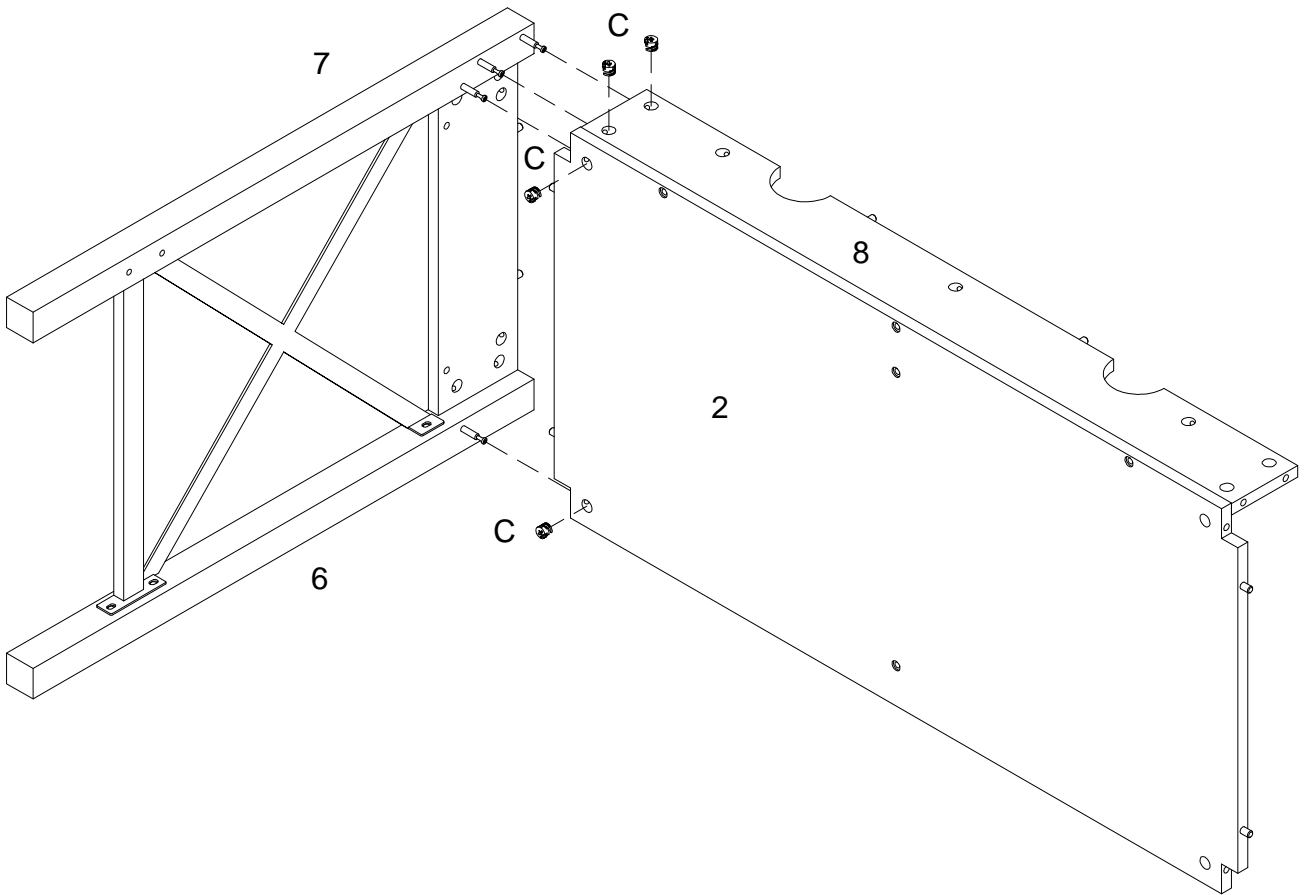
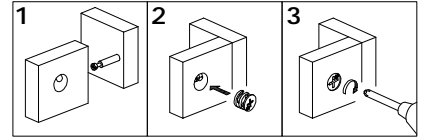
Attach part (3) onto part (4,6), put cam bolt (C) onto part (3) and secure with Philips head screwdriver as per diagram.

Step 9



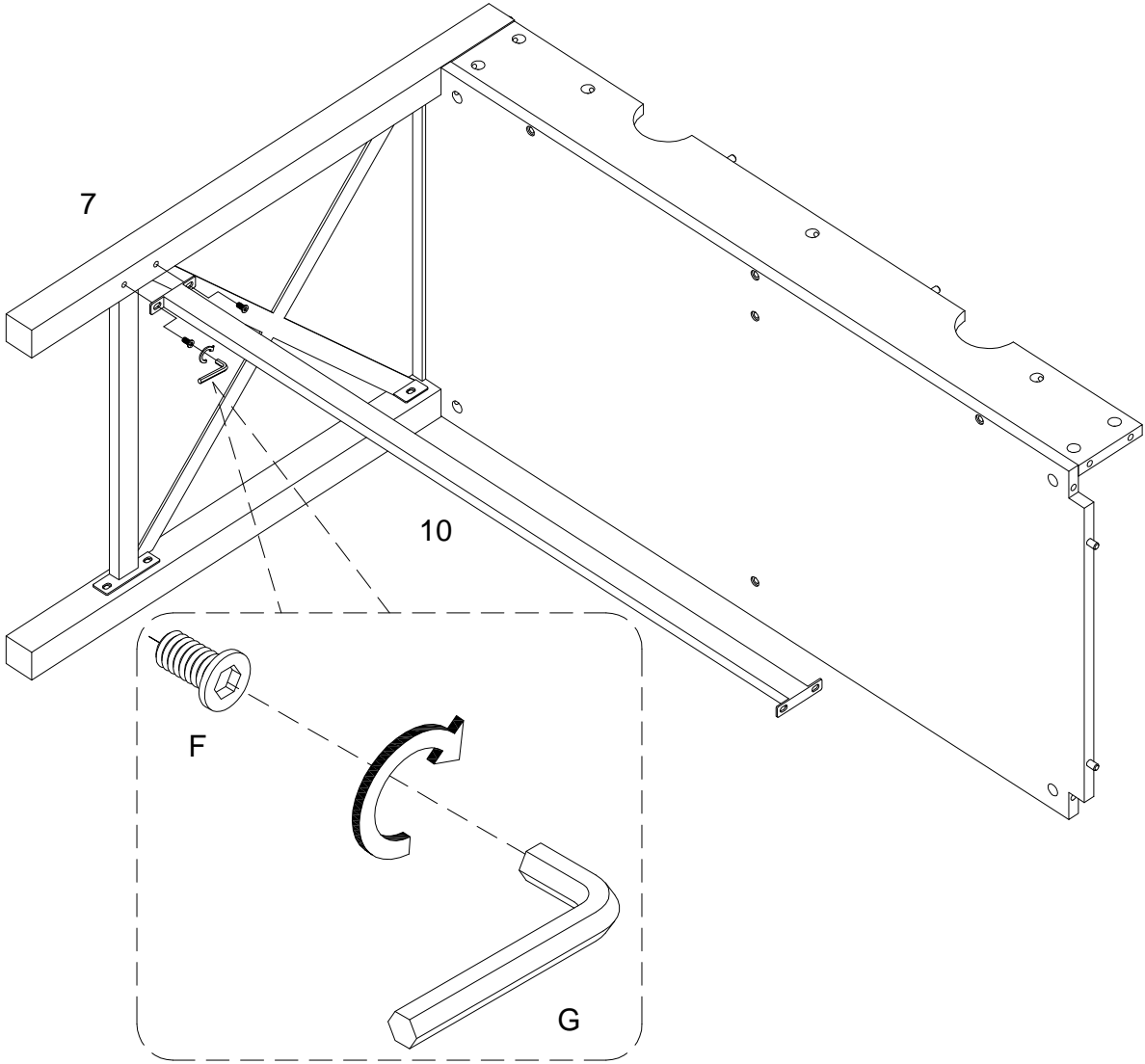
Using cam lock (C) attach part (5,7) onto part (3,11) to secure with Philips head screwdriver as per diagram.

Step 10



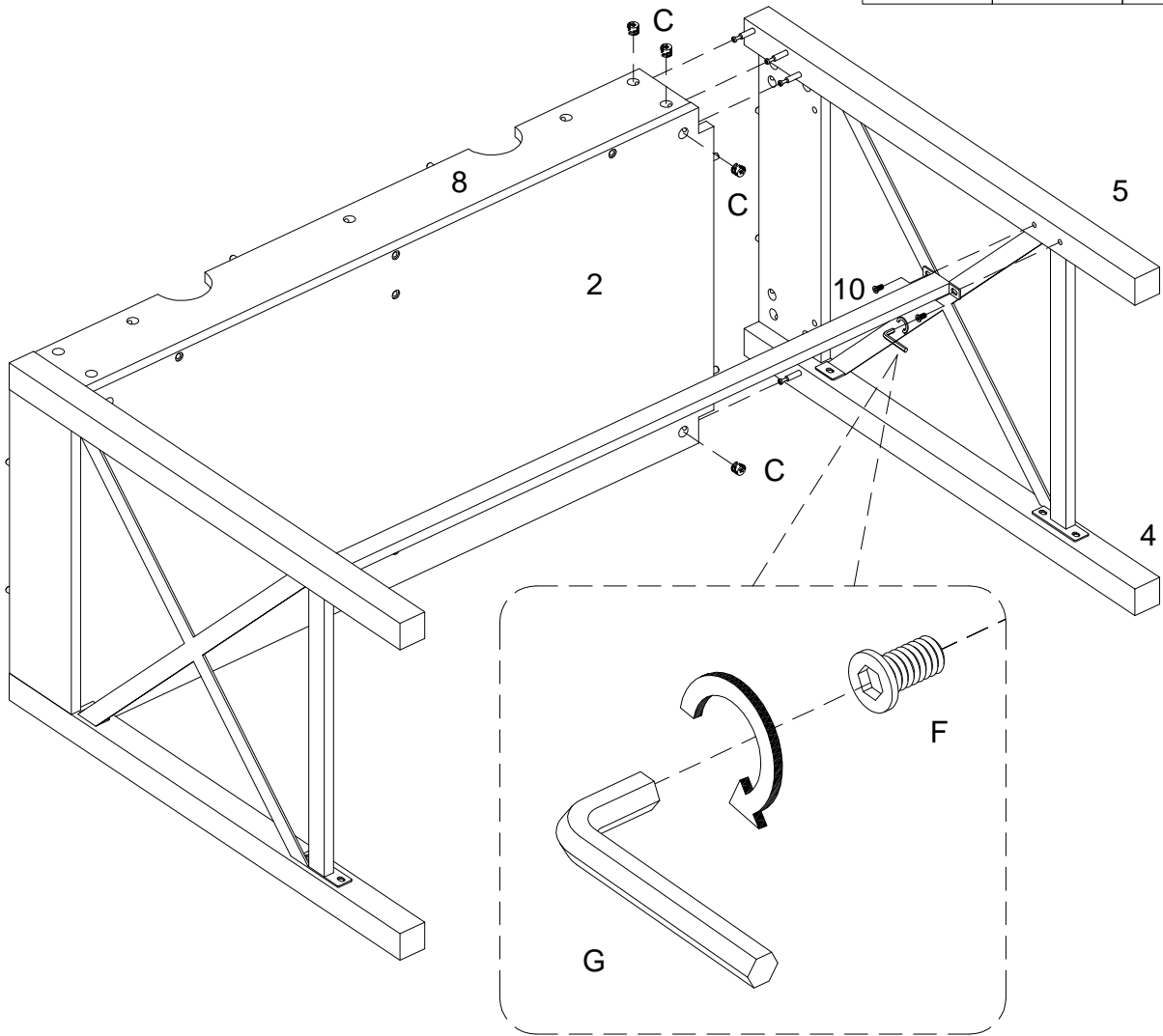
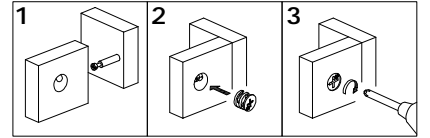
Using cam lock (C) attach part (6,7) onto part (2,8) to secure with Philips head screwdriver per diagram.

Step 11



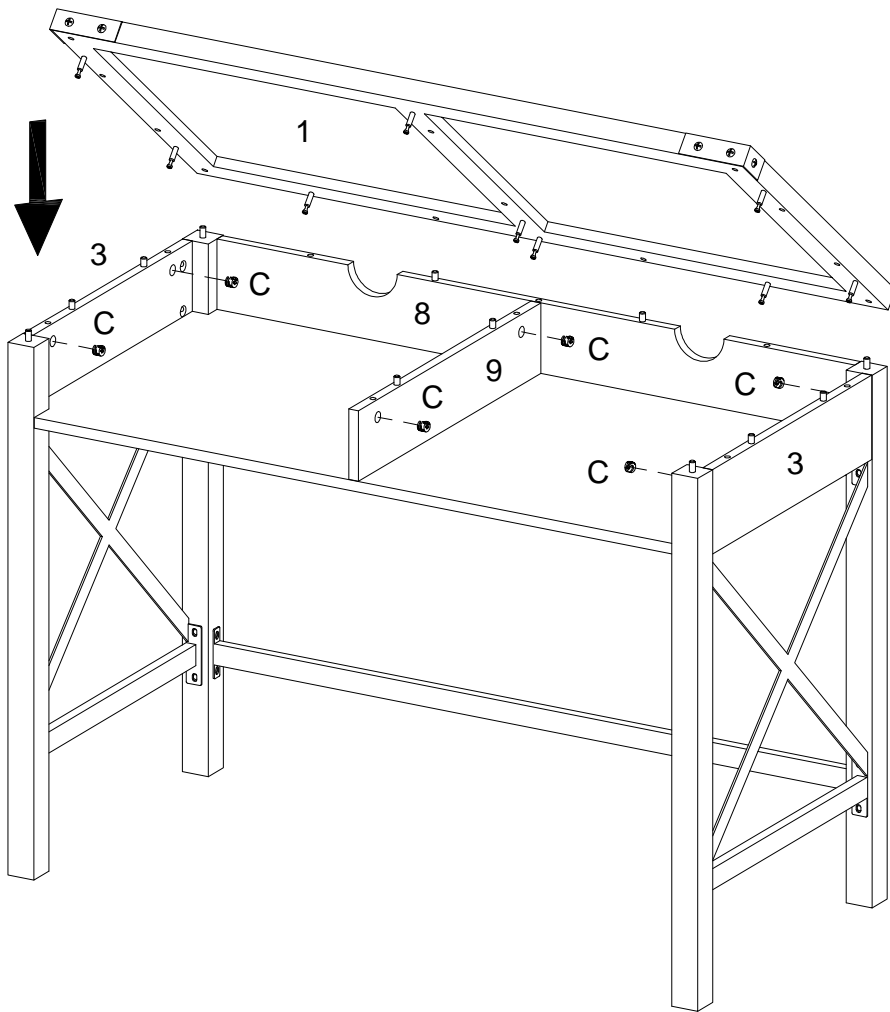
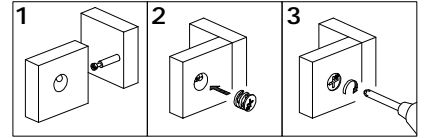
Using bolt (F) attach part (10) onto part(7) to secure with hex key G.

Step 12



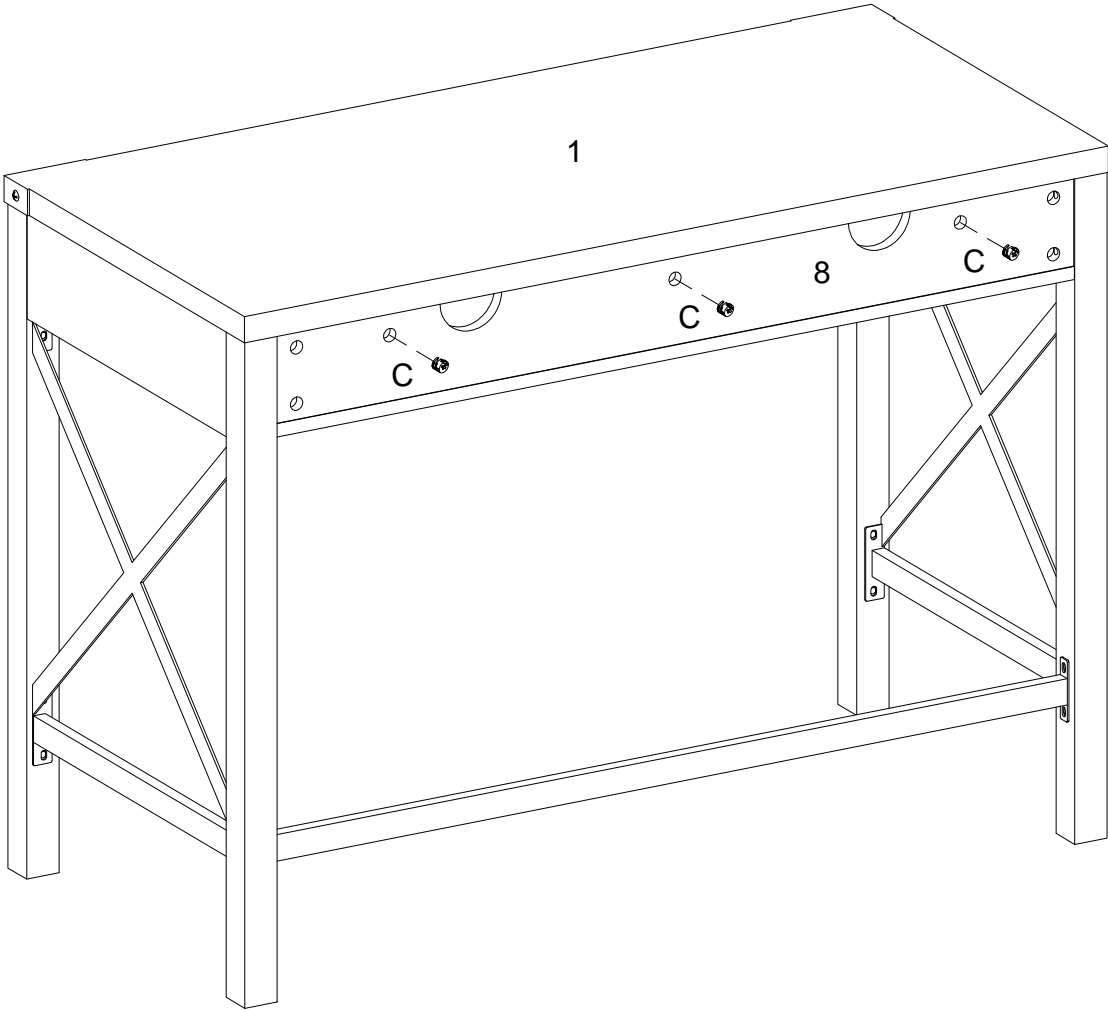
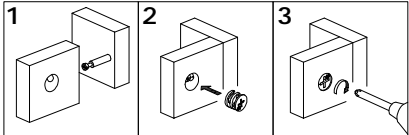
Using bolt (F) attach part (4,5) onto parts (2,8,10) and cam lock C per diagram .

Step 13



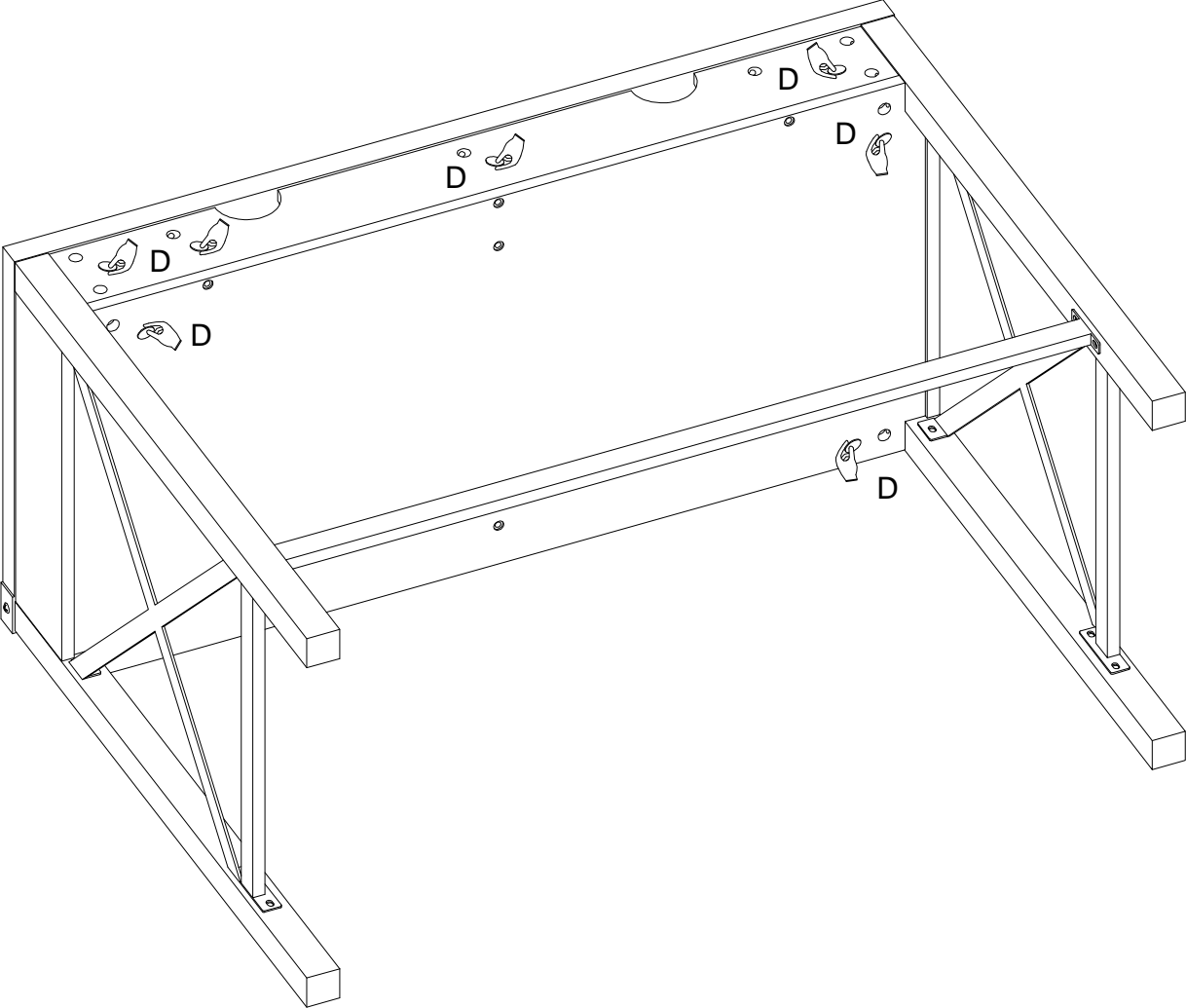
Place part (1) to part (3,8,9), using cam lock (C) to secure with Philips head screwdriver per diagram.

Step 14



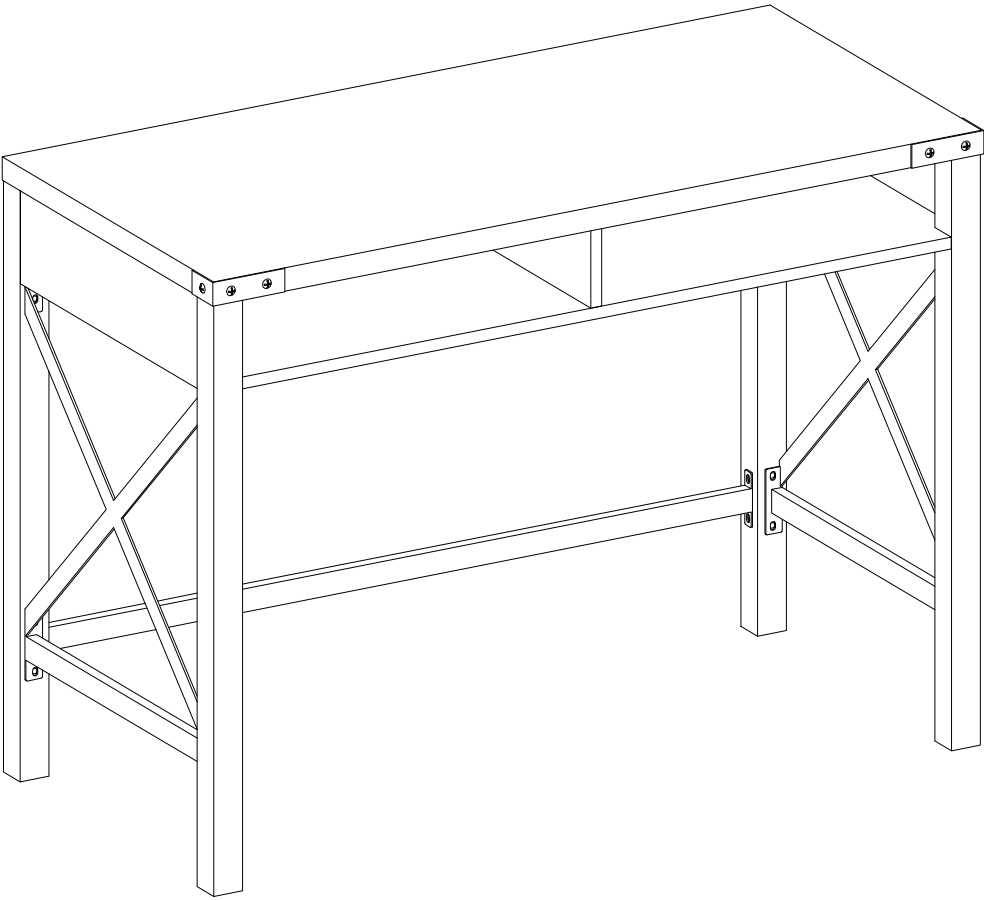
Put cam lock (C) onto part (8) secure with Philips head screwdriver.

Step 15



Place the sticker (D) cover the holes per diagram.

Step 16



Final Assembly